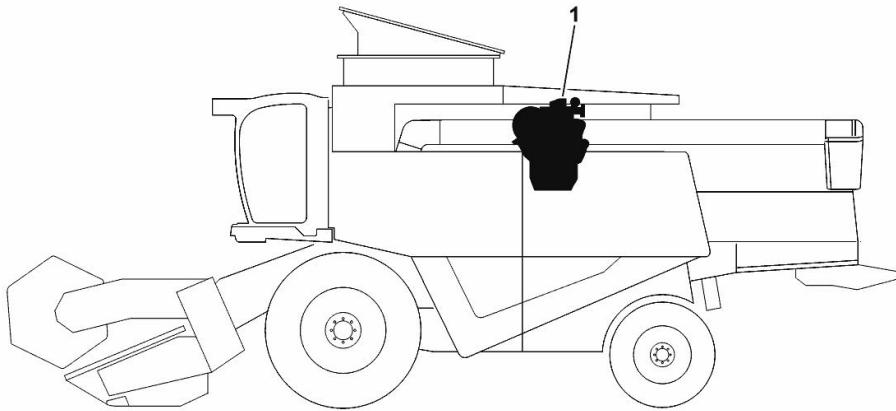


DEUTZ ENGINE 228 kW / 310 CV

Fig.	P/n	QTY	Name
------	-----	-----	------

Notes:
[6065 HTS ->14500]

1	25007609	1	engine TCD 2013 L06-4V ON ORDERING PLEASE ENGINE NO. REQUIRED
---	----------	---	---



H9_Z78A0_00_0-A-001

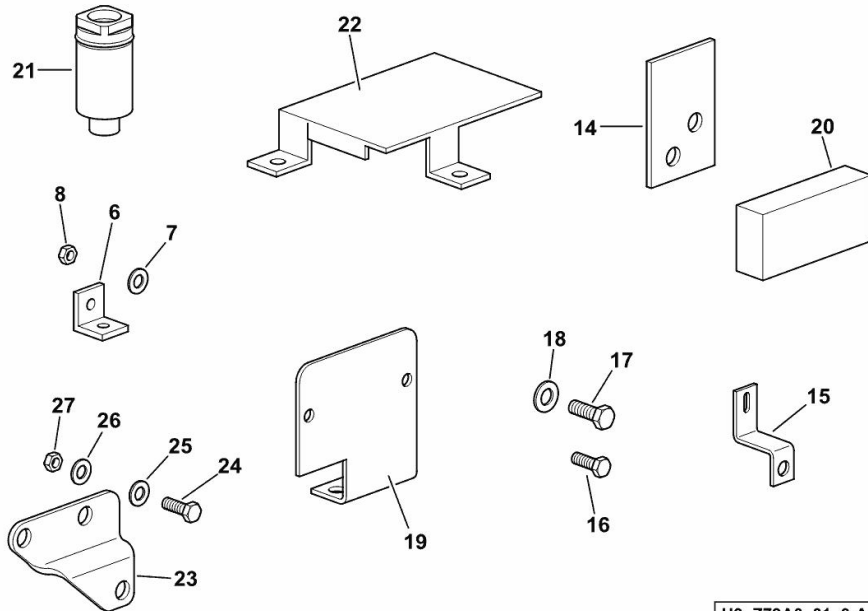
PARTS SET - ENGINE MOUNTING

Fig.	P/n	QTY	Name
------	-----	-----	------

Notes:

[6065 HTS ->14500] 14611 <-

6	16006188/10	1	support
7	01102797	2	washer 6, d128
8	01112813	2	nut m 6
14	16061552	4	plate
15	16062441	1	square
16	01112264	1	screw m 6 x 20, d933
17	01112299	1	screw m 8 x 12, d933
18	01102799	1	washer 8, d128
19	16062978	1	guard
20	0.015.8833.0	1	shim 30 x 50 x 15
21	16064238	1	vent
22	16064187	1	small guard
23	0.017.5544.0	1	bracket
24	2.0114.207.2	2	screw m 8 p.1.25 x 20
25	2.1474.009.2	1	spring washer 8
26	2.1310.004.2	2	flat washer 8.4x17
27	2.1120.005.2	1	nut m 8 p.1.25



H9_Z79A0_01_0-A-001

Section: B0 - ENGINE

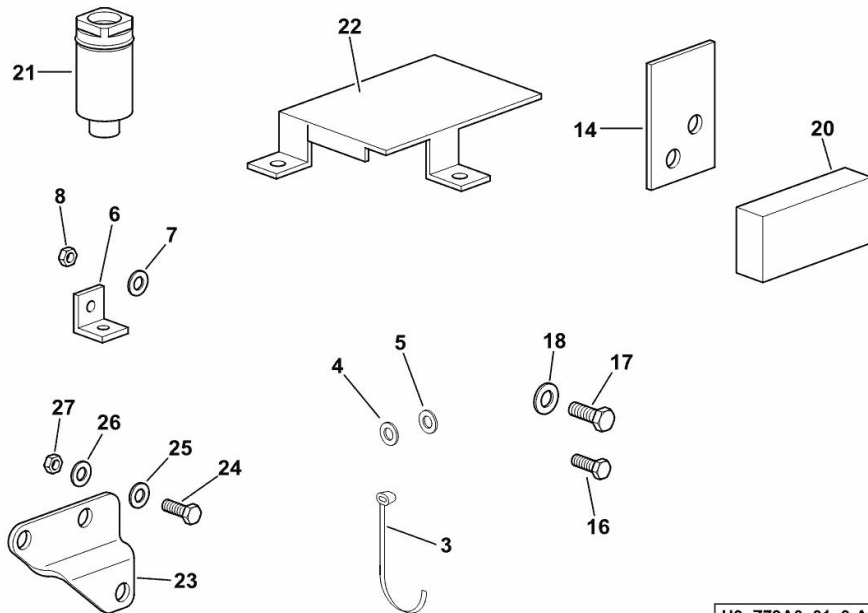
PARTS SET - ENGINE MOUNTING

Fig.	P/n	QTY	Name
------	-----	-----	------

Notes:

[6065 HTS ->14500] -> 14797 - 14884 <-

3	06216480	6	clamp 4,8 x 360
4	06214189	4	washer 6.4
5	01102797	2	washer 6, d128
6	16006188/10	1	support
7	01102797	2	washer 6, d128
8	01112813	2	nut m 6
14	16061552	4	plate
16	01112264	1	screw m 6 x 20, d933
17	01112299	1	screw m 8 x 12, d933
18	01102799	1	washer 8, d128
20	0.015.8833.0	1	shim 30 x 50 x 15
21	16064238	1	vent
22	16064187	1	small guard
23	0.017.5544.0	1	bracket
24	2.0114.207.2	2	screw m 8 p.1.25 x 20
25	2.1474.009.2	1	spring washer 8
26	2.1310.004.2	2	flat washer 8.4x17
27	2.1120.005.2	1	nut m 8 p.1.25



H9_Z79A0_01_0-A-002

Section: B0 - ENGINE

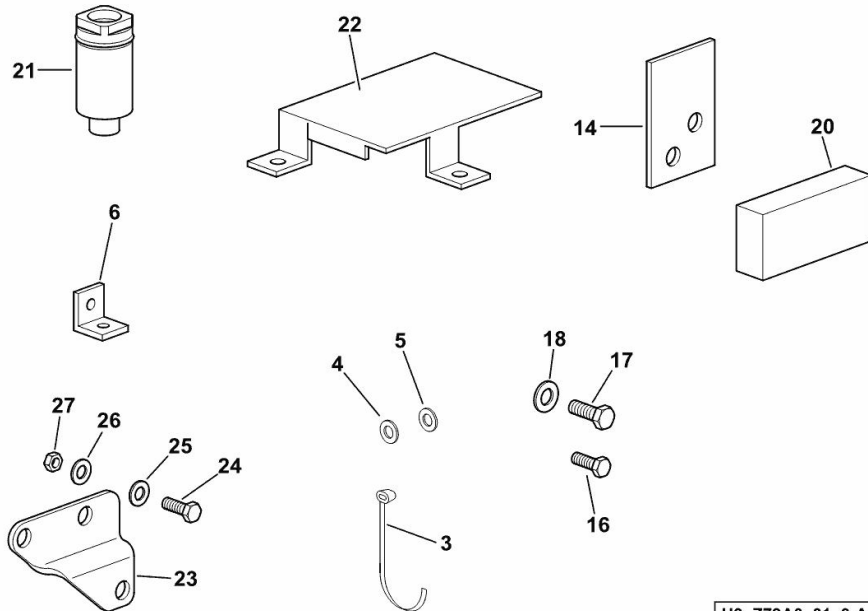
PARTS SET - ENGINE MOUNTING

Fig.	P/n	QTY	Name
------	-----	-----	------

Notes:

[6065 HTS ->14500]

3	06216480	6	clamp 4,8 x 360
4	06214189	4	washer 6.4
5	01102797	2	washer 6, d128
6	16006188/10	1	support
14	16061552	4	plate
16	01112264	1	screw m 6 x 20, d933
17	01112299	1	screw m 8 x 12, d933
18	01102799	1	washer 8, d128
20	0.015.8833.0	1	shim 30 x 50 x 15
21	16064238	1	vent
22	16064187	1	small guard
23	0.017.5544.0	1	bracket
24	2.0114.207.2	2	screw m 8 p.1.25 x 20
25	2.1474.009.2	1	spring washer 8
26	2.1310.004.2	2	flat washer 8.4x17
27	2.1120.005.2	1	nut m 8 p.1.25



H9_Z79A0_01_0-A-003

Section: B0 - ENGINE

FASTENINGS

Fig.	P/n	QTY	Name
------	-----	-----	------

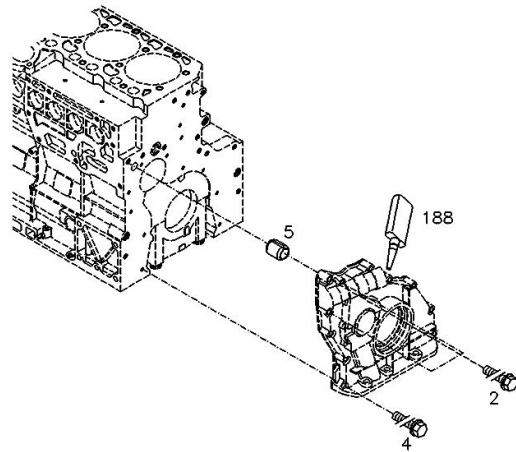
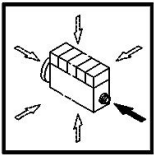
Notes:

[6065 HTS ->14500]

Engine serial number:

10765285 10782166 10786835 10953566 10953734 10955133 10973423 10973444 10976221

2	01180114	3	screw EN 1662 -F-M8X70-10.9-GESCHW
4	01143362	8	screw EN 1662 -F-M8X35-10.9-A4C
5	01181406	1	bushing H 2341 -B11X8-FE/ZN12C*
6	04294952	1	gasket
188	01016122	1	gasket H 0699 -DEUTZDW67-250ML



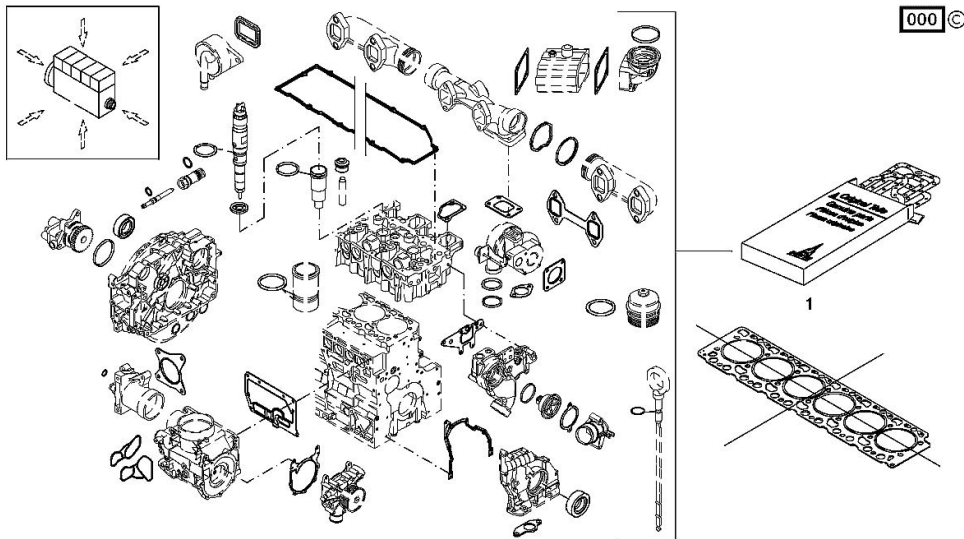
Section: B0 - ENGINE
SERIE GUARNIZIONI

Fig.	P/n	QTY	Name
------	-----	-----	------

Notes:

[6065 HTS ->14500]

1	02937644	1	gasket set THE KIT DOES NOT CONTAIN ALL THE GASKETS: SEE SM 0199-99-9449
---	----------	---	--



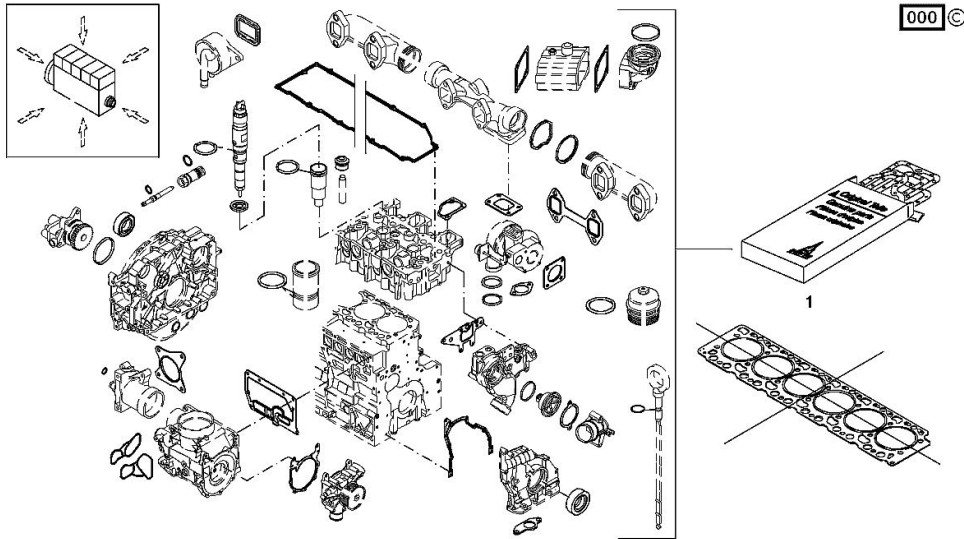
Section: B0 - ENGINE
SERIE GUARNIZIONI

Fig.	P/n	QTY	Name
------	-----	-----	------

Notes:

[6065 HTS ->14500]

1	02937481	1	gasket set THE KIT DOES NOT CONTAIN ALL THE GASKETS: SEE SM 0199-99-9449
---	----------	---	--



Section: B0 - ENGINE
SERIE GUARNIZIONI

Fig.	P/n	QTY	Name
------	-----	-----	------

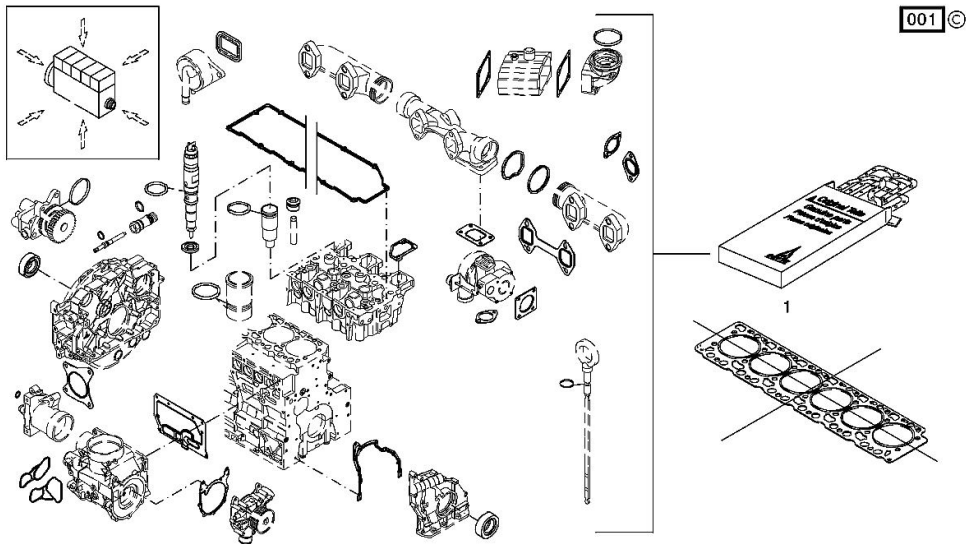
Notes:

[6065 HTS ->14500]

Engine serial number:

10765285 10782166 10786835 10953566 10953734 10955133 10973423 10973444 10976221

1	02931818	1	gasket set THE KIT DOES NOT CONTAIN ALL THE GASKETS: SEE SM 0199-99-9449
---	----------	---	--



Section: B0 - ENGINE

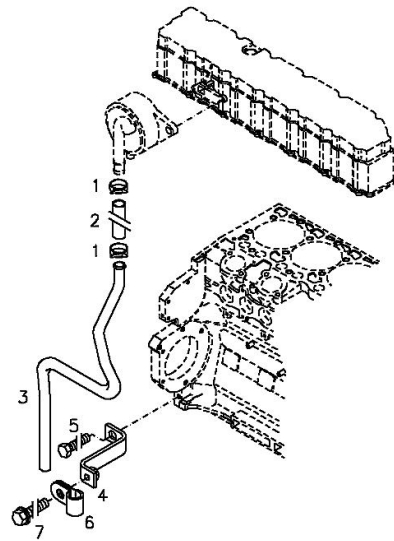
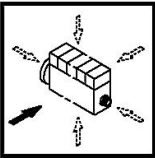
BLEEDING TUBE

Fig.	P/n	QTY	Name
------	-----	-----	------

Notes:

[6065 HTS ->14500]

1	01178750	2	clamp DIN 3021 -A-29X15
2	01178053	1	rubber tube H 3407 -22X29X65
3	04903157	1	tube
4	04903847	1	support
5	01127056	1	screw DIN 933 -M12X20-10.9-A4C
6	01176230	1	fascia H 3223 -C22X15-ST/MVQ-1-70
7	01181439	1	screw EN 1662 -F-M6X16-10.9-ZNAL-A



000 ©

Section: B0 - ENGINE

BLEEDING TUBE

Fig.	P/n	QTY	Name
------	-----	-----	------

Notes:

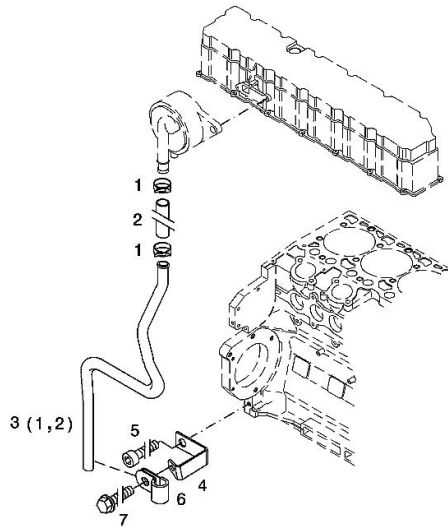
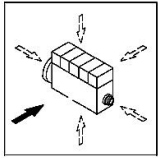
[6065 HTS ->14500]

Engine serial number:

10765285 10782166 10786835 10953566 10953734 10955133 10973423 10973444 10976221

1	01178750	2	clamp DIN 3021 -A-29X15
2	01183057	1	rubber sleeve H 3407 -F22X30X65EAM*
3	04905322	1	tube WITH POS.... 1,2
4	04906422	1	bracket
5	01110746	1	screw m 12 x 20 ISO 4762 -M12X20-8.8-A4C
6	01176230	1	fascia H 3223 -C22X15-ST/MVQ-1-70
7	01181439	1	screw EN 1662 -F-M6X16-10.9-ZNAL-A

000 ©

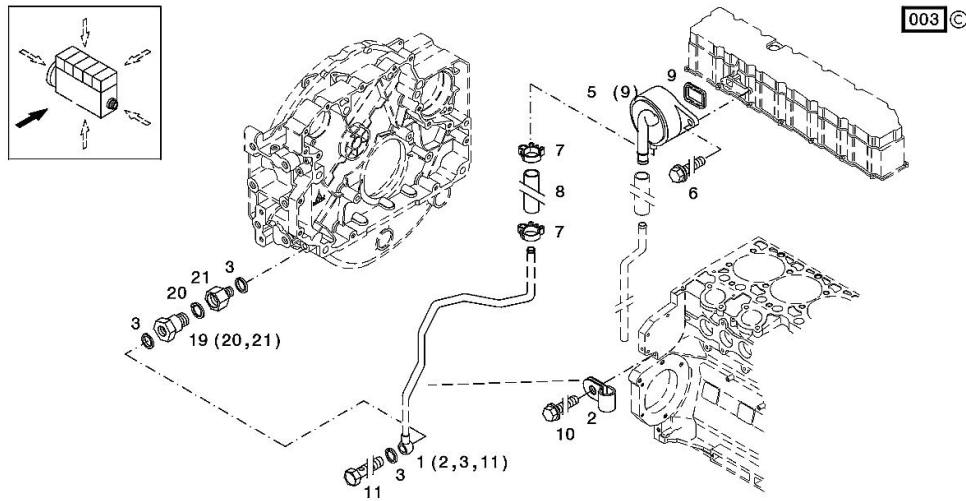


Section: B0 - ENGINE
CRANKCASE BREATHER

Fig.	P/n	QTY	Name
------	-----	-----	------

Notes:

[6065 HTS ->14500]



1	04905228	1	tube WITH POS.... (2,3,11)
2	01175559	3	fascia H 3223 -C8X15-ST/MVQ-1-70
3	01118673	3	oil seal DIN 7603 -A12X15,5-CU
5	04905110	1	breather WITH POS.... 9
6	01181432	2	screw m8x30 EN 1662 -F-M8X30-10.9-ZNAL-A
7	01180071	2	fascia H 3461 -F-14,0/8
8	01174783	1	rubber tube H 3430 -A8X14X70
9	04298547	1	rubber plug
10	01181442	1	screw m6x12 EN 1662 -F-M6X12-10.9-ZNAL-A
11	01119241	1	pipe union m 12 p.1.5 DIN 7643 -8
19	04905469	1	pipe fitting WITH POS.... (20,21)
20	01118737	1	oil seal 22 x 27 DIN 7603 -A22X27-CU
21	04904834	1	adapter

Thank you so much for reading.
Please click the “Buy Now!”
button below to download the
complete manual.



After you pay.

You can download the most
perfect and complete manual in
the world immediately.

Our support email:

ebooklibonline@outlook.com