

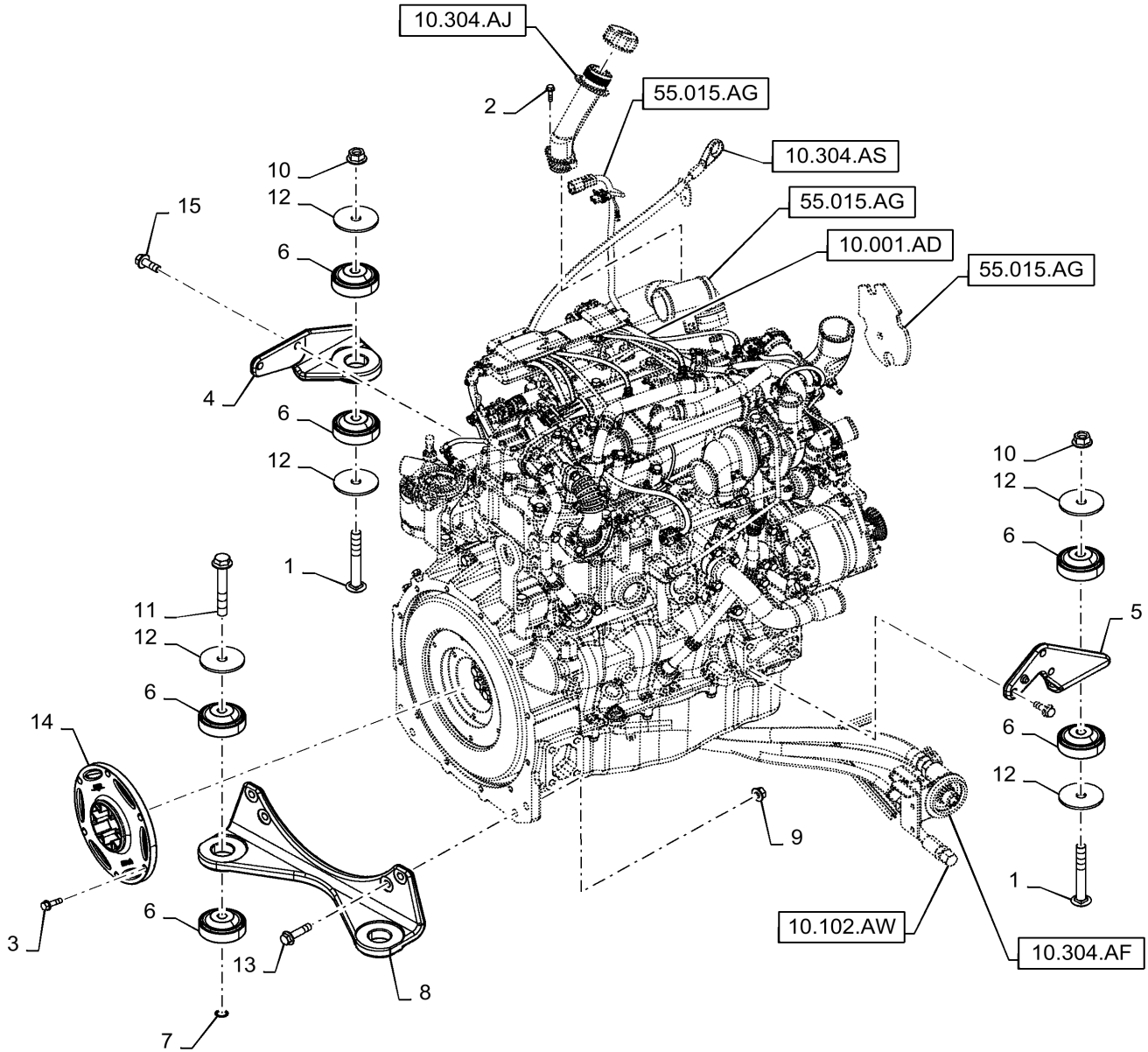
TR310 Compact Track Loader Tier 4B

Parts Catalog

Print No. 550711113
Issued 12/2015



ENGINE MOUNT

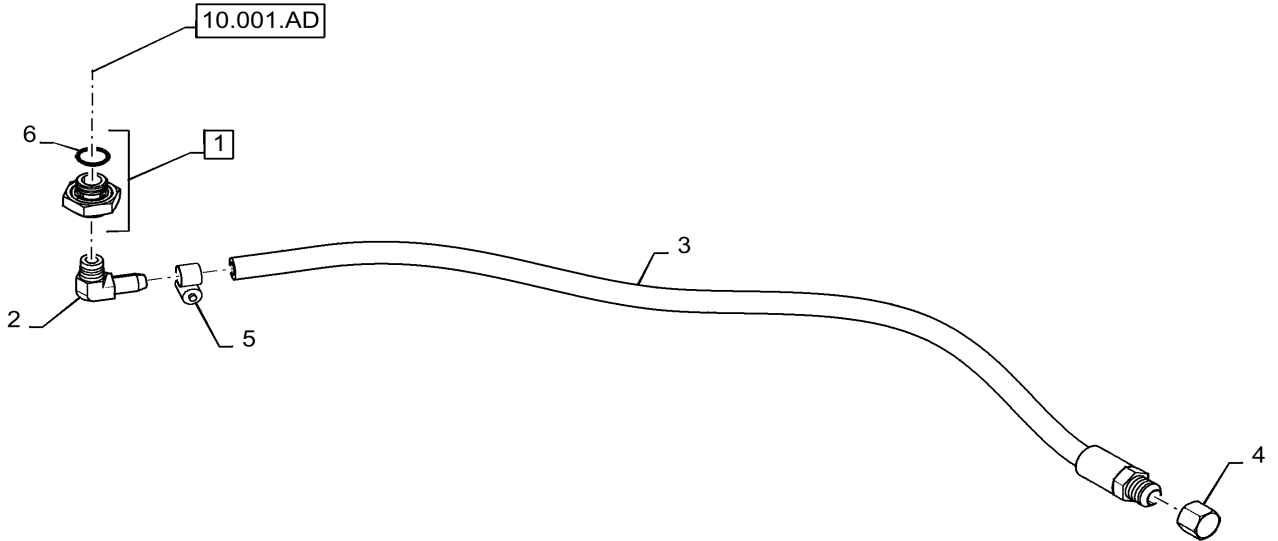


ENGINE MOUNT

REF FN	PART NUMBER	YR/SN	QTY DESCRIPTION
1	300663		2 CARRIAGE BOLT M16 x 2.0 x 120mm, CI 8.8
2	9804257		2 FLANGE BOLT Hex, M6 x 1 x 25mm, Full Thd, CI 8.8
3	9804260		6 BOLT Hex, M8 x 1.25 x 30mm, Full Thd, CI 8.8
4	47600713		1 MOUNT RH, Engine
5	47600714		1 MOUNT LH, Engine
6	84201266		8 ISOLATOR 16mm ID x 80mm OD x 41.5mm Thk Engine Mount
7	84367737		2 LOCK WASHER 22.6mm OD x 1.27mm Thk
8	84530877		1 MOUNT Front, Engine
9	86512497		4 FLANGE NUT M12 - 1.75, CI 10
10	86512498		2 FLANGE NUT M16 x 2.0, CI 10
11	87015923		2 BOLT M16 x 125.4mm, CI 10.9
12	87630175		6 WASHER 0.66" ID x 3" OD x 0.18" Thk
13	87670764		4 BOLT M12 x 61.8mm, CI 10.9
14	87692685		1 FLEXIBLE COUPLING 215.9mm OD 6 - 1/2" Holes, Plate Outline
15	87695414		5 BOLT M12 x 46.8mm, CI 10.9

TR310-COMPACT TRACK LOADER - TIER 4B

OIL DRAIN LINE

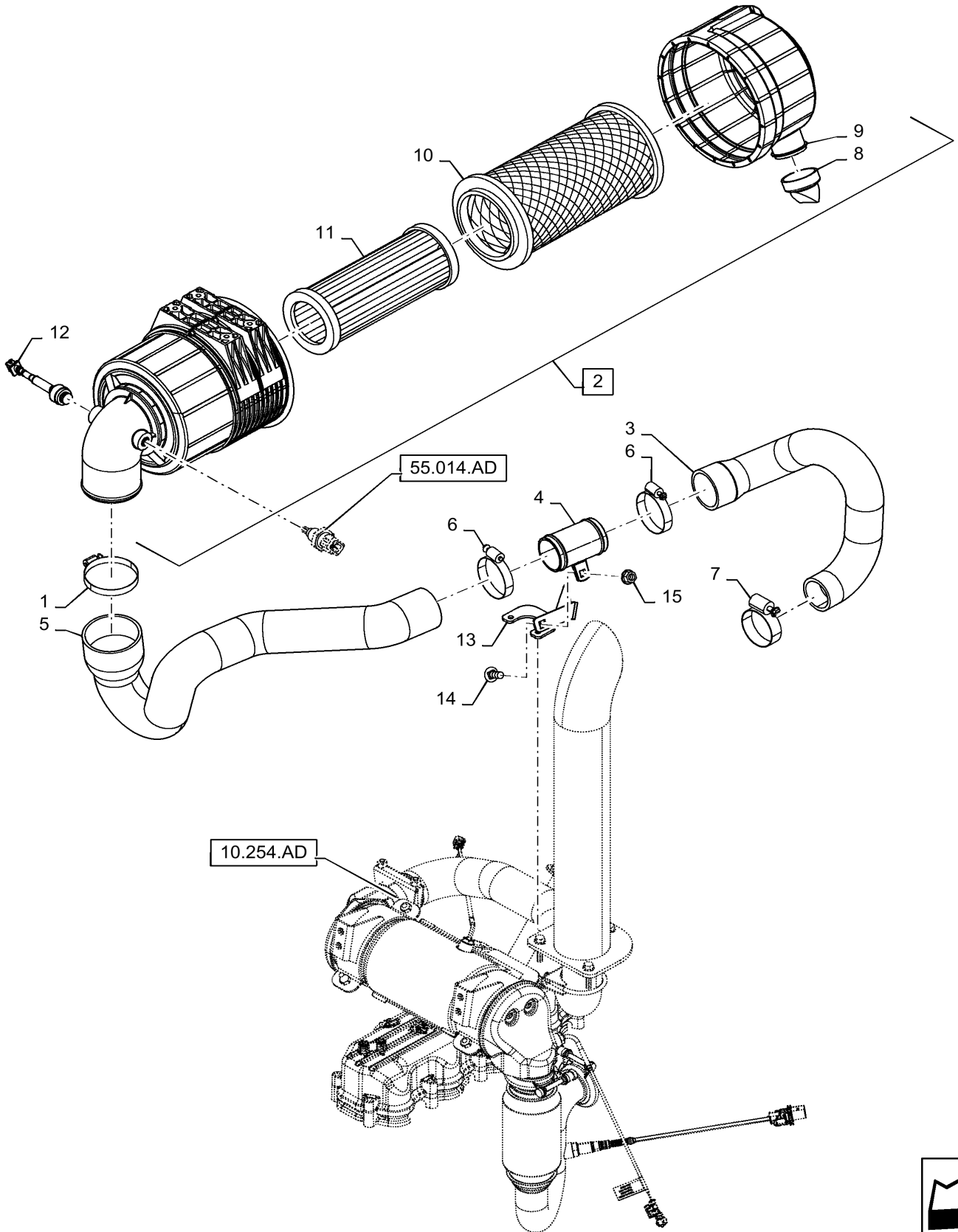


OIL DRAIN LINE

REF FN	PART NUMBER	YR/SN	QTY DESCRIPTION
1	47751176		1 REDUCER 3/8" - 18 NPTF x M22 x 1.5 ORB Male Incl 6
2	87016895		1 FITTING 90°, 3/8" NPTF x 1/2" Hose Barbed
3	47782202		1 HOSE 12.5mm ID x 805mm L, SAE 100R17 W/ 3/4" - 16, Male 37° Flare
4	262159		1 CAP 3/4" - 16 Fem JIC Drain
5	13021		1 HOSE CLAMP 12.7mm - 23.1mm, Worm
6	271913		1 O-RING 0.103" Thk x 0.924" ID, -119, CI 6, 90 Duro

TR310-COMPACT TRACK LOADER - TIER 4B

AIR CLEANER & INTAKE PARTS



Thank you so much for reading.
Please click the “Buy Now!”
button below to download the
complete manual.



After you pay.

You can download the most
perfect and complete manual in
the world immediately.

Our support email:

ebooklibonline@outlook.com