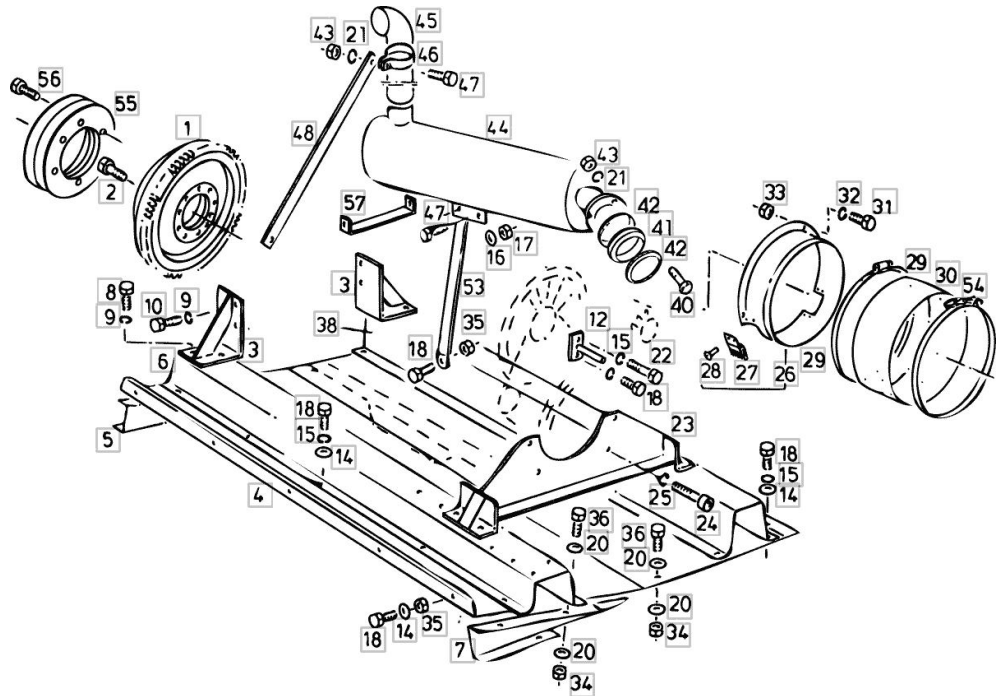


Section: ENGINE

ENGINE ASSEMBLY PARTS BF 6L 913

Fig.	P/n	QTY	Name
------	-----	-----	------

Notes:
 MOTOR BF 6L 913 110 KW / 150 PS ----- [ACTOR 5520]

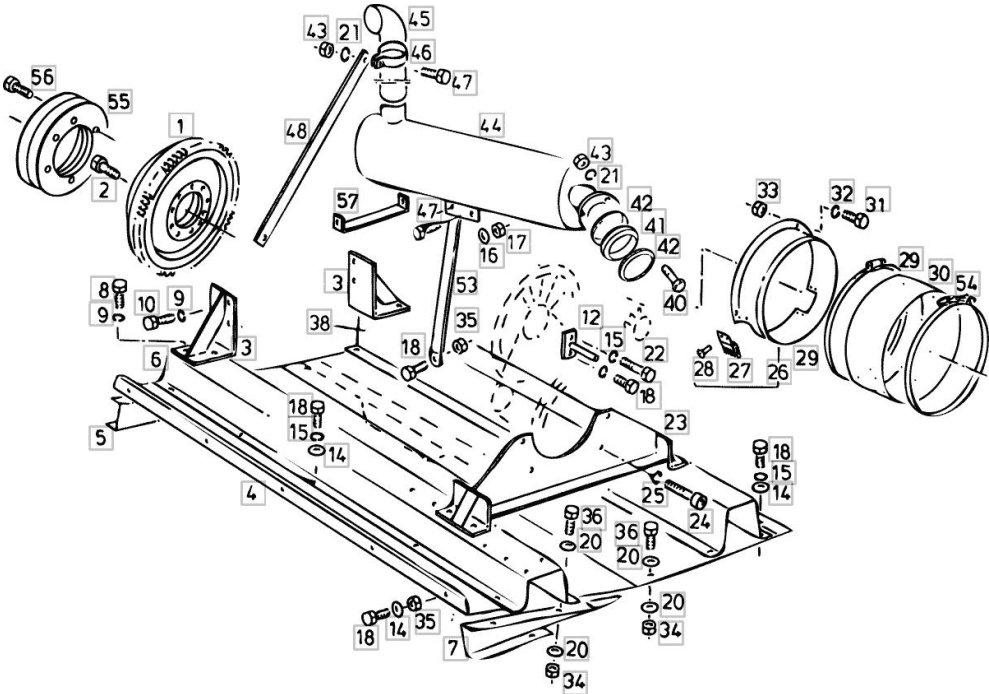


1	16033850	1	flywheel
2	01104847	10	screw
3	06278905	2	support
4	06529969	1	plate
5	06529966	1	plate sx/lh/li
6	06529976	1	profile
7	06529967	1	plate sx/lh/li
8	01112515	8	screw m 12 x 25
9	01102801	12	washer 12
10	01112547	3	screw m 12 x 40, d933
10.1	01112554	1	screw m 12 x 45
12	06513291	1	pin
16	01107165		washer 10.5
17	06209768		nut m 10, d985
18	01112322	15	screw m 8 p.1.25 x 20
21	01102800		washer 10.2
22	01111186	1	screw m 8 x 75
23	06284941	1	bracket
24	01126146	4	screw
25	01102802	4	washer 14.2
26	06300827	1	ring
27	06259813	4	brush
28	01139178	8	rivet
29	06216475	1	bracket 280-310/12
30	06539396	1	screw
31	01112264	4	screw m 6 x 20, d933
32	01102797	4	washer 6, d128
33	01112813	4	nut m 6
34	06209768	10	nut m 10, d985
35	01104944	5	nut m 8, d985
36	01112418	10	screw m 10 x 25, d933
38	06529972	1	chassis frame
40	01112447	4	screw m 10 x 40
41	02420249	1	gasket
42	04183515	2	gasket
43	01102659	5	nut m 10, d934
44	16033944	1	silencer
45	06547029	1	exhaust pipe
46	01120895	1	fascia Ø 75
47	01112418		screw m 10 x 25, d933
48	06547104	1	carrier

Section: ENGINE

ENGINE ASSEMBLY PARTS BF 6L 913

Fig.	P/n	QTY	Name
53	06283961	1	brace
54	01141628	1	fascia 325 d
55	16029000	1	pulley d=245 W STRAW CHOPPER
56	01100114	6	screw W
57	06538649	1	brace



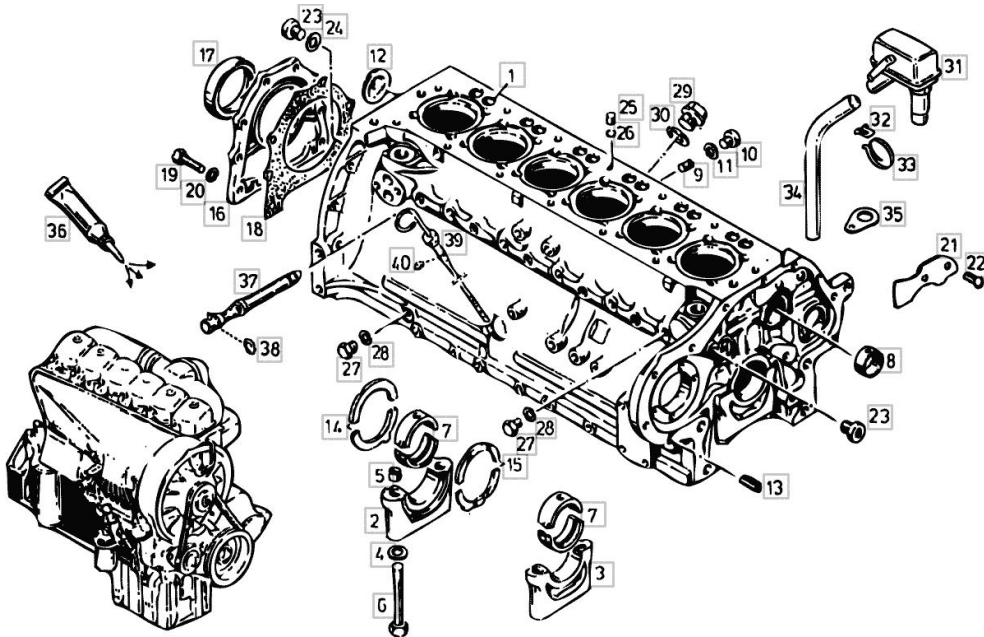
Section: ENGINE

ENGINE CRANKCASE BF 6L 913

Fig.	P/n	QTY	Name
------	-----	-----	------

Notes:
[ACTOR 5520]

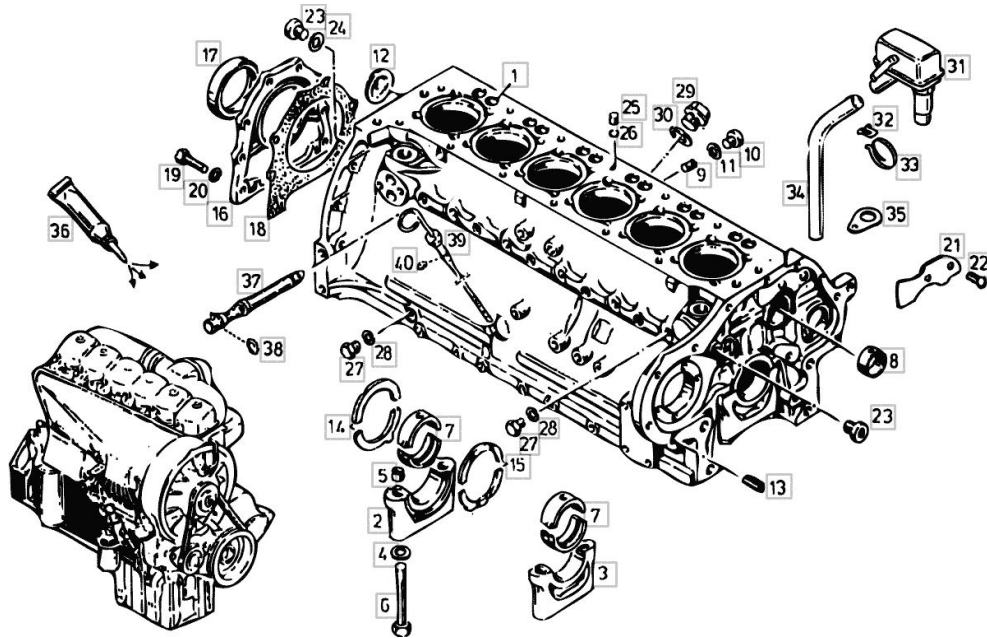
1	04156259	1	crankcase G 2-6,8-13,21-30
2	02138188	1	cover
3	02138189	6	cover
4	01216107	14	washer 15x23x1,5
5	04160764	14	bushing
6	04156058	14	screw
7	04231079	7	half-bushing D 75,00 MM
7.1	04231080		bearing D 74,75 MM
7.2	04231081		bearing D 74,50 MM
8	02139737	1	bushing
9	01215235	7	plug
10	01110422	7	screw
11	01118673	7	oil seal
12	01216240	1	disc
13	01167266	2	bush
14	04232790	1	shim 2,94 MM
14.1	04232792		shim 3,14 MM
15	04232791	1	shim 2,94 MM
15.1	04232793		disc 3,14 MM
16	02234870	1	cover
17	04232267	1	special oil seal
18	03362337	1	gasket
19	01112322	8	screw m 8 p.1.25 x 20
20	01107101	8	washer 8.4
21	02231082	1	plate
22	01115333	2	self tapping screw
23	04159934	2	screw
24	04159935	2	oil seal
25	01170580	5	plug
26	01167010	5	washer
27	01118997	5	screw cm10x1
28	01118659	5	oil seal
29	01118986	1	plug am26x1,5 d7604



Section: ENGINE

ENGINE CRANKCASE BF 6L 913

Fig.	P/n	QTY	Name
30	01118760	1	gasket 26x31
31	02139682	1	box
32	01166343	1	clamp
33	01166345	1	band
34	NE		plate
35	02138266	1	fan
36	01016120		compound 1 kg
37	04231147	6	injector assembly
38	01173838	6	oil seal
39	01176369	1	dipstick G 39,40
40	01174311	1	oil seal

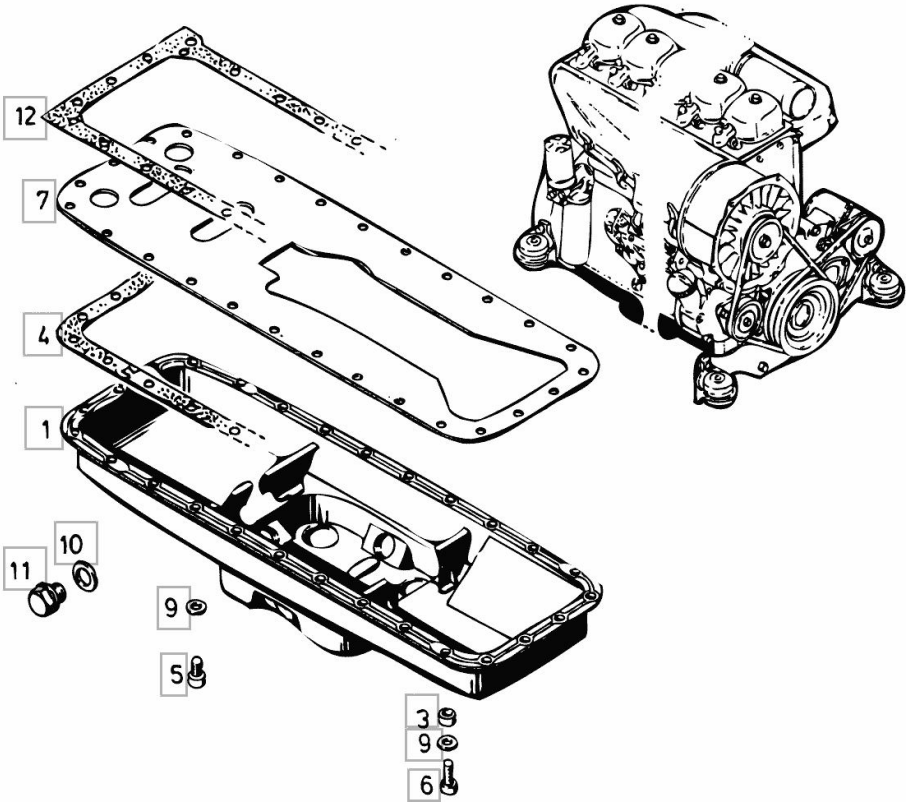


Section: ENGINE
ENGINE OIL PAN

Fig.	P/n	QTY	Name
------	-----	-----	------

Notes:
[ACTOR 5520]

1	02234521	1	oil sump
3	01216151	1	bushing
4	04157240	1	gasket
5	01102193	26	screw m 8 x 16
6	01110577	1	screw m 8 x 25
7	04161492	1	division
9	01107548	27	washer 8.4
10	01118783	1	oil seal
11	01118989	1	plug
12	03362581	1	gasket

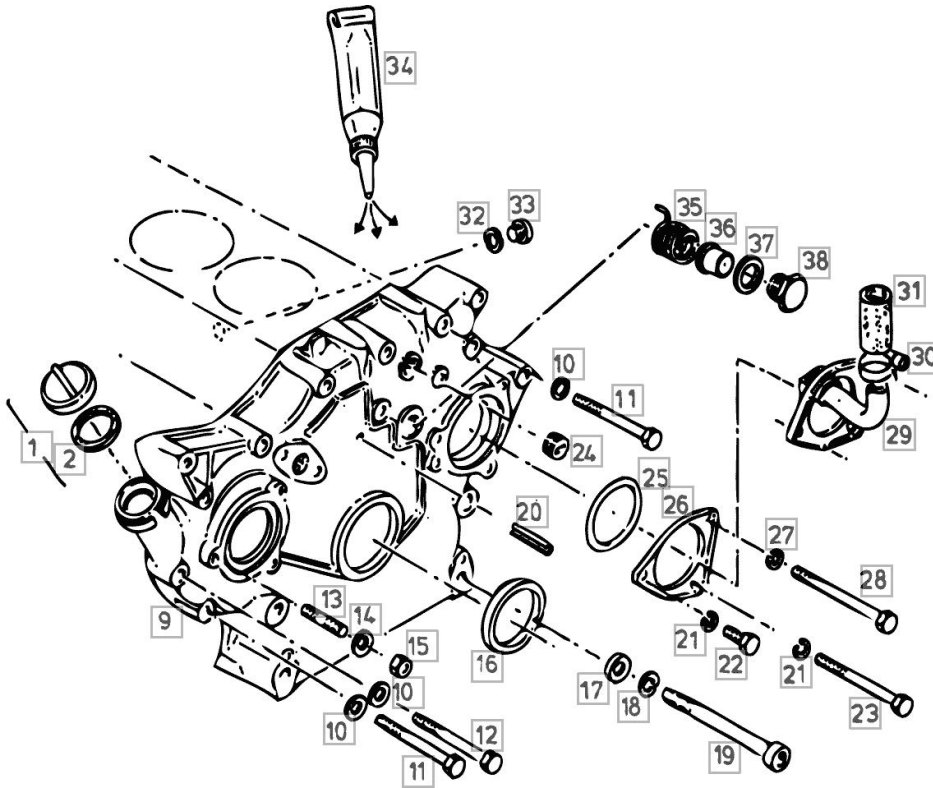


Section: ENGINE
ENGINE FRONT COVER

Fig.	P/n	QTY	Name
------	-----	-----	------

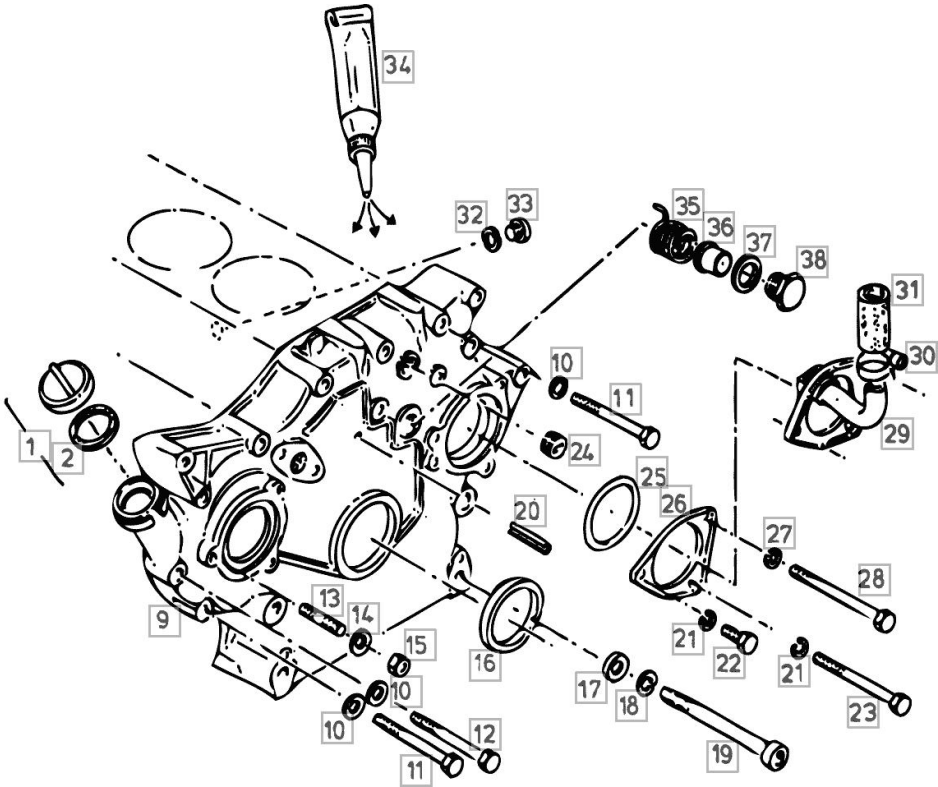
Notes:
 [ACTOR 5520]

1	01236291	1	plug
2	01216293	1	oil seal
9	04158421	1	cover F 6L 912
9.1	04153259	1	cover BF 6L 913
10	01107101	5	washer 8.4
11	01111179	3	screw m 8 x 70, d931
12	01127046	1	screw m 8 x 60
13	01174193	2	screw m 8 x 55 F 6L 912
13.1	01174191	1	screw m 8 x 25 BF 6L 913
13.2	01174192	1	screw BF 6L 913
14	01216108	2	washer
15	01112824	2	nut m 8, d934
16	04232266	1	ring
17	01107556	16	washer
18	01127679	4	spring washer
19	01102281	4	screw m14x100 d912
20	01115460	1	pin
21	01102799	2	washer 8, d128
22	01112295	1	screw m 8 x 10
23	01122399	1	screw
24	01165788	1	plug m 18 x 1,5
25	01166111	1	oil seal
26	04152404	1	cover F 6L 912
27	01102800	1	washer 10.2
28	01111336	1	screw m 10 x 75
29	02233056	1	cover BF 6L 913
30	01173962	2	clamp Ø 20/32 BF 6L 913
31	01175630	1	sleeve 22x29x71 BF 6L 913
32	01118673	1	oil seal
33	01110422	1	screw
34	01016120	1	compound 1 kg
35	02237638	1	spring



ENGINE FRONT COVER

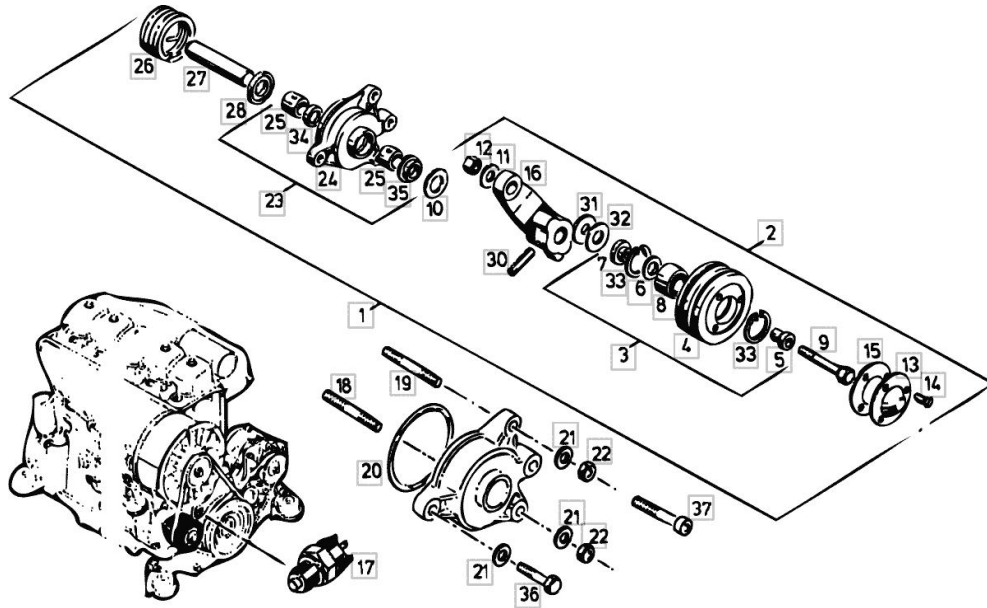
Fig.	P/n	QTY	Name
36	02135019	1	tube
37	01118750	1	oil seal
38	04230057	1	screw



ENGINE COVER WITH IDLER PULLEY

Fig.	P/n	QTY	Name
------	-----	-----	------

Notes:
[ACTOR 5520]



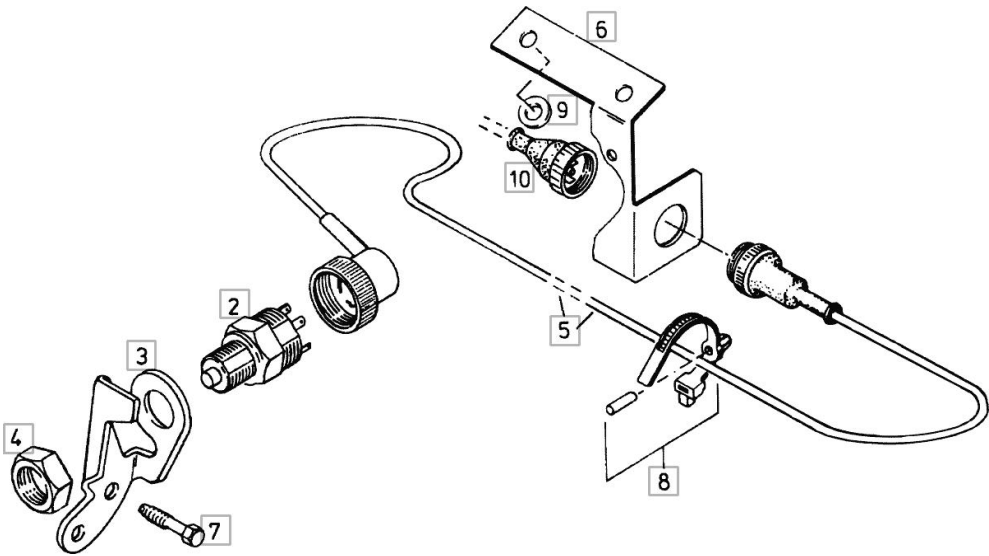
1	04152514	1	tensioner
2	04152524	1	pulley
3	02237959	1	pulley
4	02237846	1	pulley
5	02237849	1	bush
6	02237850	1	washer
7	02237848	1	ring
8	01171646	1	ball bearing
9	01111317	1	screw m 10x60 d931
10	04150578	1	shim
11	01107105	1	washer 10.5
12	01102659	1	nut m 10, d934
13	02237847	1	cover
14	01136951	3	screw
15	02136434	1	gasket
16	04152532	1	lever
17	04191001	1	push-button
18	01174192	1	screw
19	01174191	1	screw m 8 x 25
20	01166111	1	oil seal
21	01216108	3	washer
22	01112824	2	nut m 8, d934
23	04153128	1	cover
24	04153130	1	cover
25	02238022	2	bushing
26	02238021	1	spring
27	02238081	1	shaft
28	02238083	1	washer
30	01115474	1	pin
31	01216123	3	washer
32	01216095	2	washer
33	01107818	2	ring
34	02238084	1	bushing
35	04158766	1	oil seal
36	01174194	1	screw
37	NE		plate

ENGINE STOP-SWITCH MOUNTING

Fig.	P/n	QTY	Name
------	-----	-----	------

Notes:
[ACTOR 5520]

2	04191001	1	push-button
3	02245062	1	console
4	01101294	1	nut
5	02248490	1	tube
6	04154610	1	console
7	01171763	1	screw m 8 p.1.25 x 20
8	01172979	1	band
9	03382693	1	washer
10	02245054	1	socket



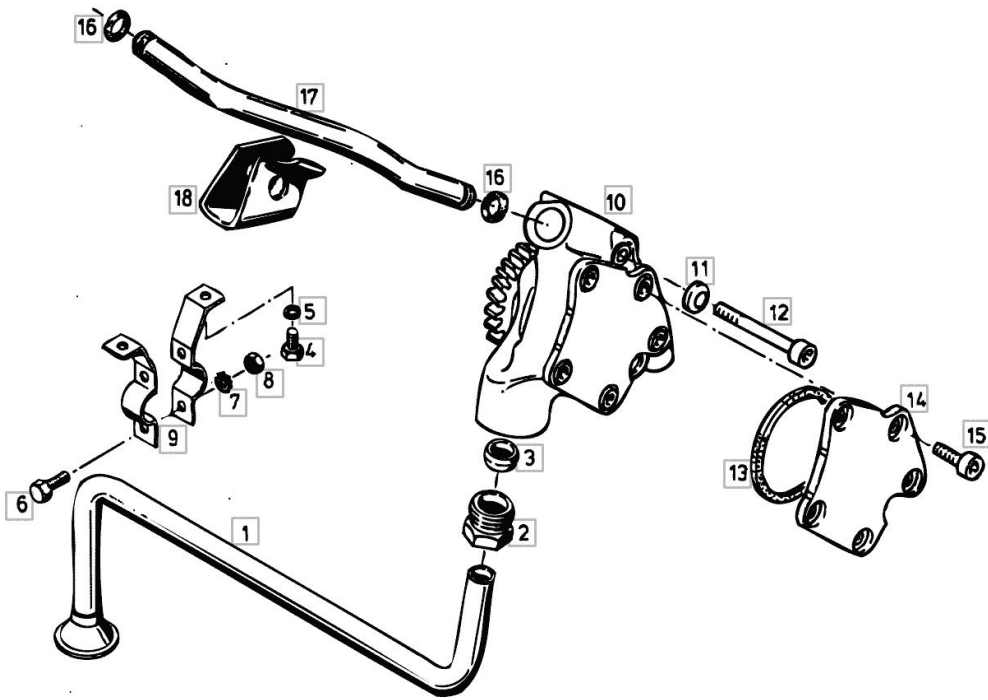
Section: ENGINE

ENGINE OIL PUMP BF 6L 913

Fig.	P/n	QTY	Name
------	-----	-----	------

Notes:
[ACTOR 5520]

1	02240926	1	primer
2	01213241	1	screw
3	01213240	1	ring
4	01112297	2	screw m8x12 d933
5	01102799	2	washer 8, d128
6	01103316	2	screw m 6 p.1.0 x 16
7	01117861	2	washer
8	01112813	2	nut m 6
9	02136648	2	fascia
10	04232511	1	water pump G 10, 13-15
11	01169689	2	washer
12	01110606	2	screw
13	02137612	1	oil seal
14	02237234	1	cover
15	02237346	1	screw
16	01174605	2	oil seal
17	02239983	1	tube
18	02138201	1	spring

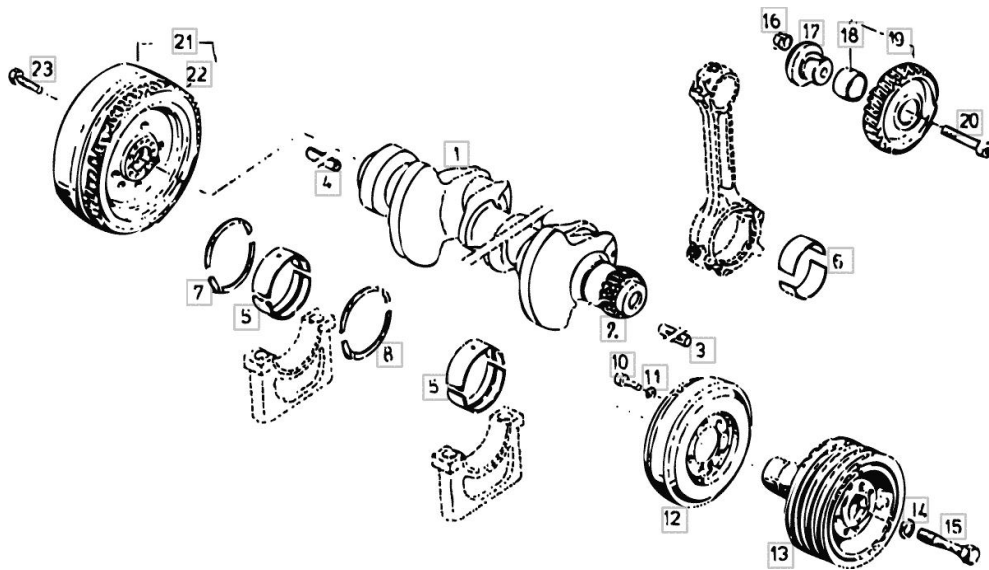


Section: ENGINE

ENGINE CRANKSHAFT BF 6L 913

Fig.	P/n	QTY	Name
------	-----	-----	------

Notes:
[ACTOR 5520]



1	02931059	1	crankshaft G 2-8
2	02237257	1	gear
3	01137239	1	pin
4	01157357	1	grub screw
5	04231079	7	half-bushing 75,00 MM
5.1	04231080		bearing 74,75 MM
5.2	04231081		bearing 74,50 MM
6	04232679	6	con.rod half bushing 66,00 MM
6.1	04232680		conrod bearing 65,75 MM
6.2	04232681		conrod bearing 65,50 MM
7	04232790	1	shim 2,94 MM
7.1	04232792	1	shim 3,14 MM
8	04232791	1	shim 2,94 MM
8.1	04232793	1	disc 3,14 MM
10	01110561	8	screw m8x20 d912-10
11	01172303	8	washer
12	02233098	1	shock absorber
13	04156155	1	pulley
14	01216128	1	washer
15	01166951	1	screw
16	04156283	1	bush
17	04156284	1	pin
18	03362538	1	bushing
19	04153996	1	gear wheel
20	01110688	1	screw
21	16033850	1	flywheel B A02
22	02131081	1	crown wheel
23	01104847	10	screw

Thank you so much for reading.
Please click the “Buy Now!”
button below to download the
complete manual.



After you pay.

You can download the most
perfect and complete manual in
the world immediately.

Our support email:

ebooklibonline@outlook.com