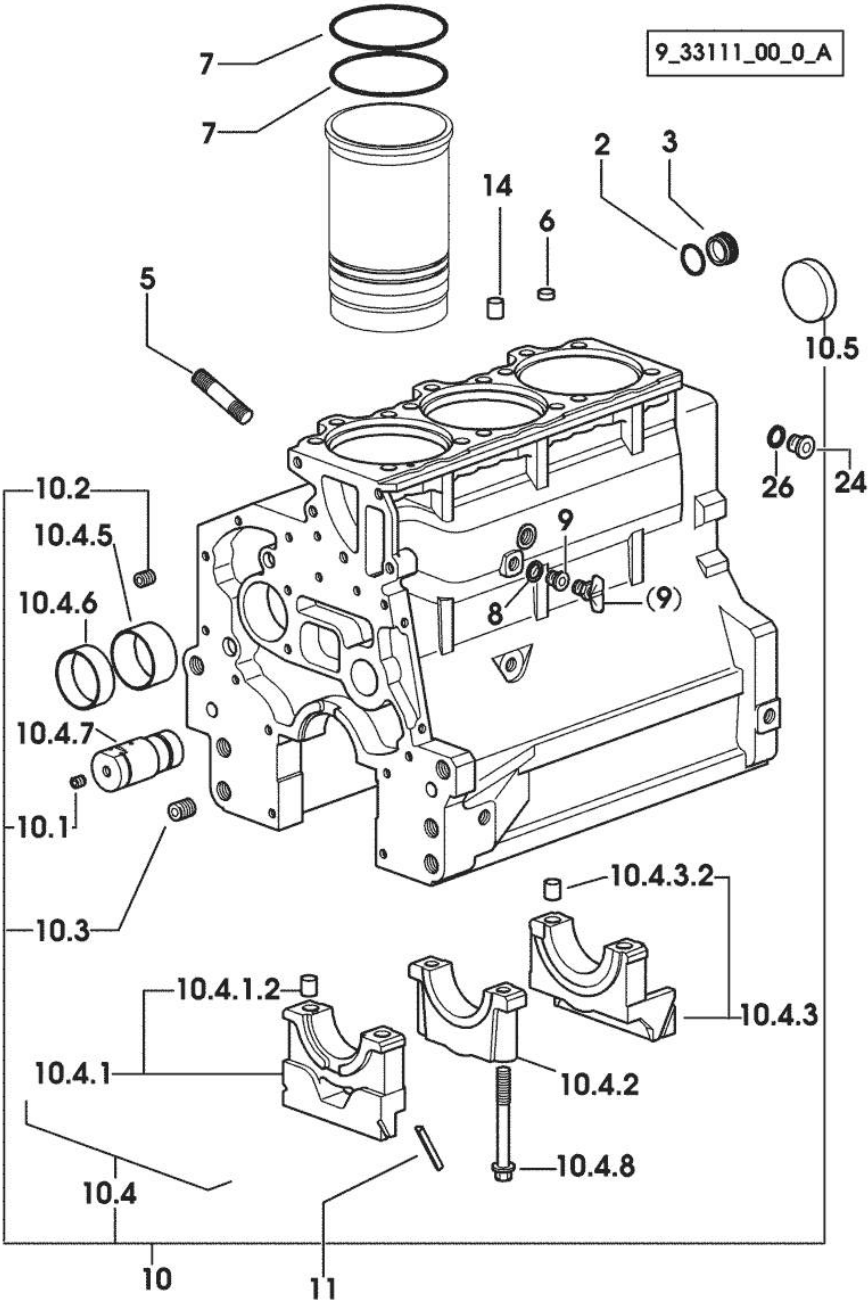


ENGINE BEARING

Fig.	P/n	QTY	Name
------	-----	-----	------

Notes:
[AgroCompact 70F3]

2	2.1539.047.0	1	special oil seal 26.7x1.78
3	2.3199.405.2	1	plug m 28 p.1.5
5	2.0432.003.7	9	stud bolt m 8 p.1.25 / p.1 x 20
6	2.1559.188.2	3	bush 11.4 x 14 x16
7	2.1539.193.0	6	special oil seal 107.62x2.62
8	2.1560.010.0	1	gasket 14.2 x 20
9	2.3199.292.0	1	plug 1/4" gas
10	0.070.1110.6/20	1	crankcase
10.1	2.3130.001.1	9	plug 1/8" gas
10.2	2.3130.002.1	2	plug 1/4" gas
10.3	2.3130.003.1	2	plug 3/8" gas
10.4	0.000.0000.1		cannot be supplied
10.4.1	0.065.1112.7	1	support
10.4.1.2	2.1699.165.0	1	bush 12.3x15x16
10.4.2	0.065.1114.0/10	2	support
10.4.3	0.065.1116.3	1	support
10.4.3.2	2.1699.165.0	1	bush 12.3x15x16
10.4.5	0.065.1140.0	3	special bushing 59X55X20
10.4.6	0.065.1141.0	1	special bushing 59X55X30
10.4.7	0.066.1151.0	1	pin
10.4.8	0.065.1117.0	8	screw m 12 x 100
10.5	2.3179.012.0	1	plug 60
11	0.066.1152.0/10	4	gasket
14	2.1549.154.2	3	bush 4.8x5.8x16
24	2.3120.101.0	1	plug m 18 p.1.5
26	2.1560.014.0	1	washer 18.2 x 24



Section: ENGINE
TIMING CASE

9_33111_00_0_B

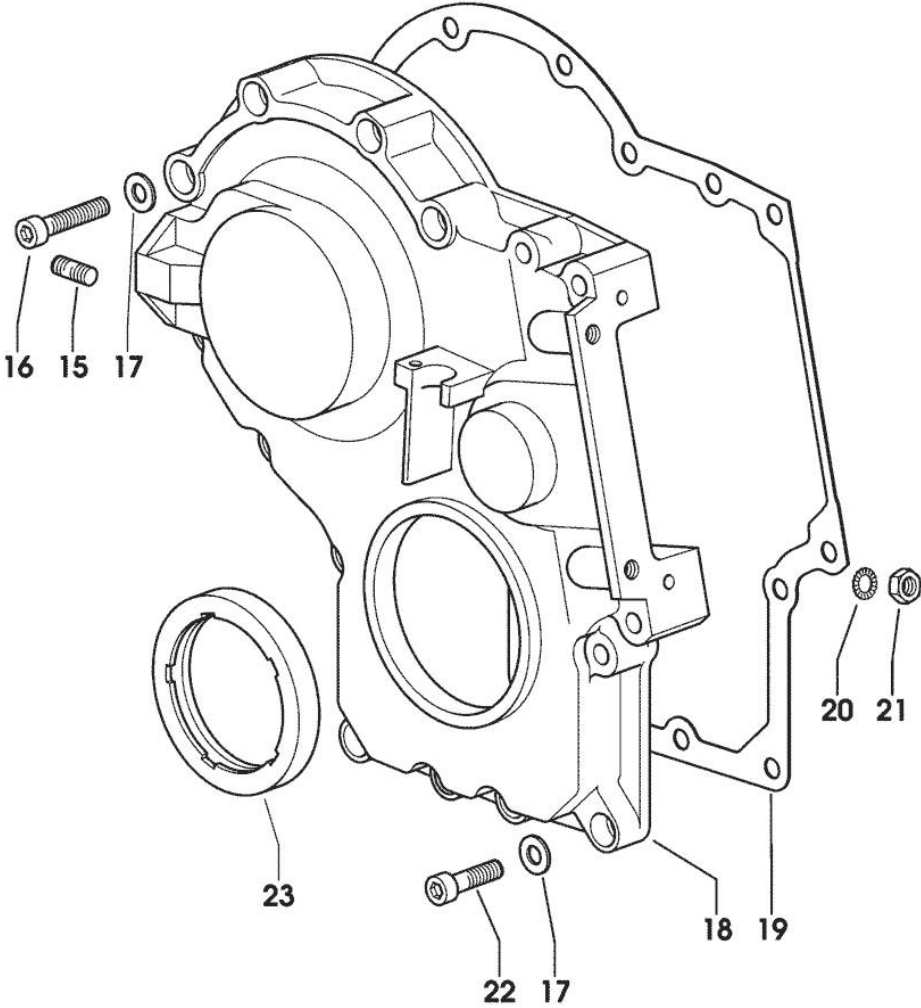


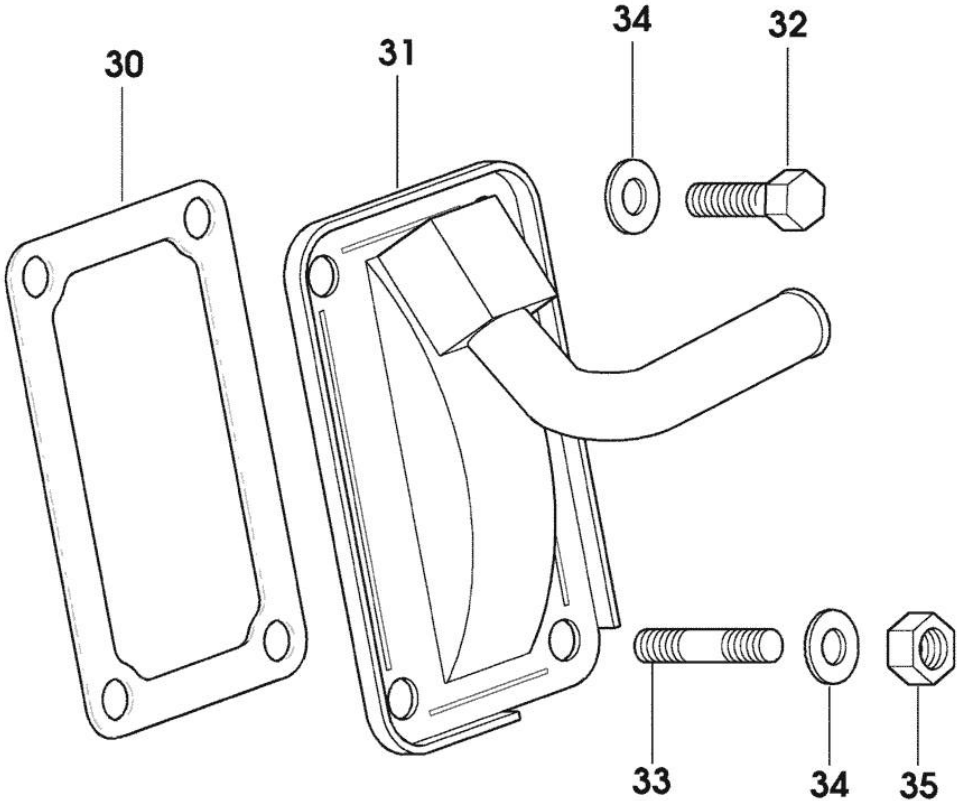
Fig.	P/n	QTY	Name
Notes:			
[AgroCompact 70F3]			
15	2.0432.003.7	2	stud bolt m 8 p.1.25 / p.1 x 20
16	2.0312.214.2	7	screw m 8 p.1.25 x 40
17	2.1480.014.1	15	washer 8
18	0.013.4981.0	1	guard -> 1056 X AgroCompact F60 -> 1010 X AgroCompact 70F3
18	0.065.1132.0/50	1	guard 1055 <- X AgroCompact F60 1009 <- X AgroCompact 70F3
19	0.065.1150.0/30	1	gasket
20	2.1470.004.2	4	lock washer 8
21	2.1011.405.2	2	nut m 8 p.1
22	2.0312.208.2	8	screw m 8 p.1.25 x 25
23	2.1529.141.0	1	special oil seal

Section: ENGINE
CASING COVER

Fig.	P/n	QTY	Name
------	-----	-----	------

Notes:
[AgroCompact 70F3]

30	0.065.1152.0	1	gasket
31	0.010.7368.2/10	1	cover
32	2.0112.205.2	2	screw m 8 p.1.25 x 16
33	2.0432.005.7	2	stud bolt m 8 p.1.5 / p.1 x 25
34	2.1310.004.2	4	flat washer 8.4x17
35	2.1011.405.2	2	nut m 8 p.1



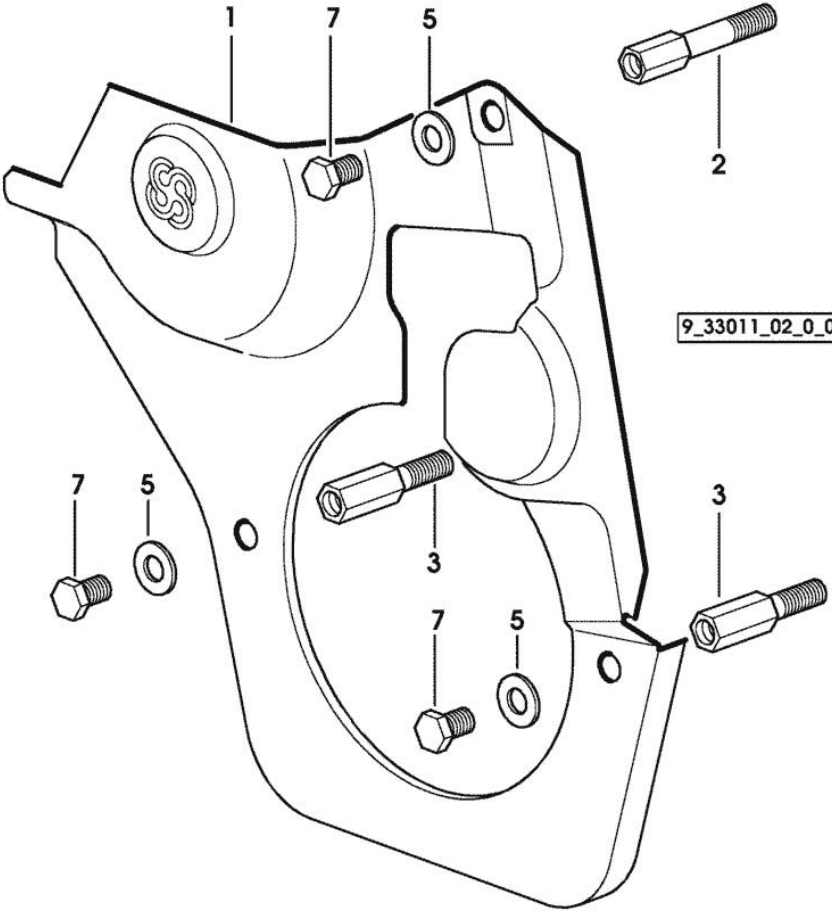
9_38811_01_0_0

GUARD PLATE

Fig.	P/n	QTY	Name
------	-----	-----	------

Notes:
[AgroCompact 70F3]

1	0.007.1262.3/50	1	guard
2	0.007.1271.0/10	1	small column m 8 p.1.25 / L = mm 60
3	0.007.1272.0/10	2	small column m 8 p.1.25 / L = mm 50
5	2.1310.004.2	3	flat washer 8.4x17
7	2.0112.203.2	3	screw m 8 p.1.25 x 12

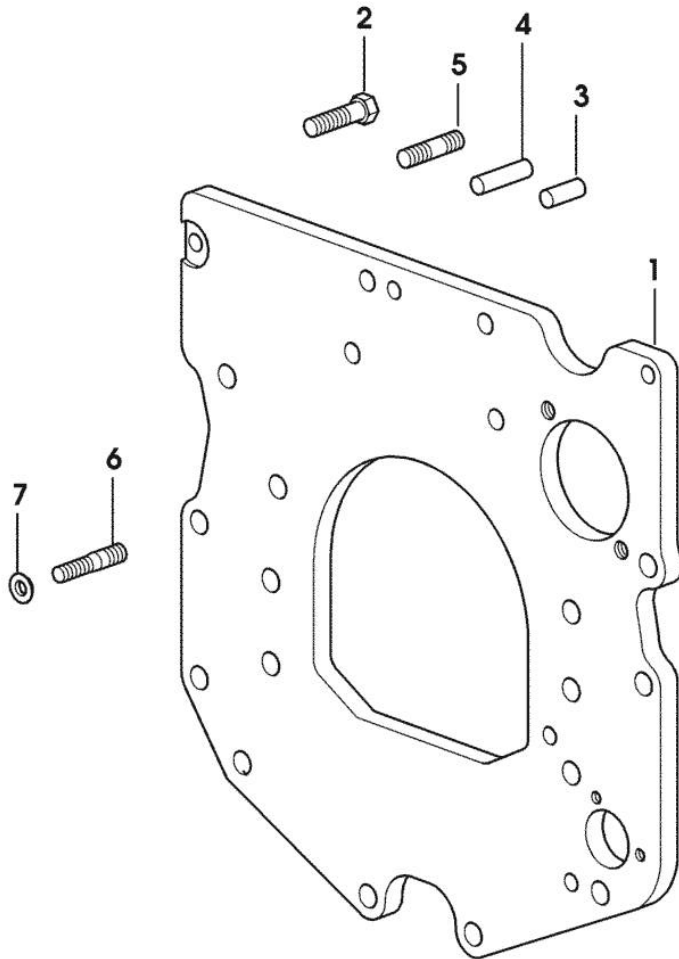


MONOBLOC ENGINE-GEARBOX CONNECTING FLANGE

Fig.	P/n	QTY	Name
------	-----	-----	------

Notes:
[AgroCompact 70F3]

1	0.007.1882.0/50	1	flange
2	2.0112.511.2	8	screw m 14 p.2 x 30
3	2.1651.912.0	2	cylindrical plug 12x28
4	2.1651.917.0	1	cylindrical plug 12x40
5	2.0432.255.7	2	stud bolt m 12 p.1.75-1.25x25 1070 <- X AgroCompact F60 1016 <- X AgroCompact 70F3 1080 <- X AgroCompact 70F4 1093 <- X AgroCompact F80 1034 <- X AgroCompact F90
5	2.0432.257.7	1	stud bolt m 12 p.1.75 - 1.25 x 30 -> 1071 X AgroCompact F60 -> 1017 X AgroCompact 70F3 -> 1081 X AgroCompact 70F4 -> 1094 X AgroCompact F80 -> 1035 X AgroCompact F90
6	2.0439.250.7	1	stud bolt m 12 / m 10 x 30 -> 1071 X AgroCompact F60 -> 1017 X AgroCompact 70F3 -> 1081 X AgroCompact 70F4 -> 1094 X AgroCompact F80 -> 1035 X AgroCompact F90
7	0.011.9294.0/10	1	bush -> 1071 X AgroCompact F60 -> 1017 X AgroCompact 70F3 -> 1081 X AgroCompact 70F4 -> 1094 X AgroCompact F80 -> 1035 X AgroCompact F90



9_38611_01_0_0

Section: ENGINE

CRANKSHAFT

9_34812_00_0_0

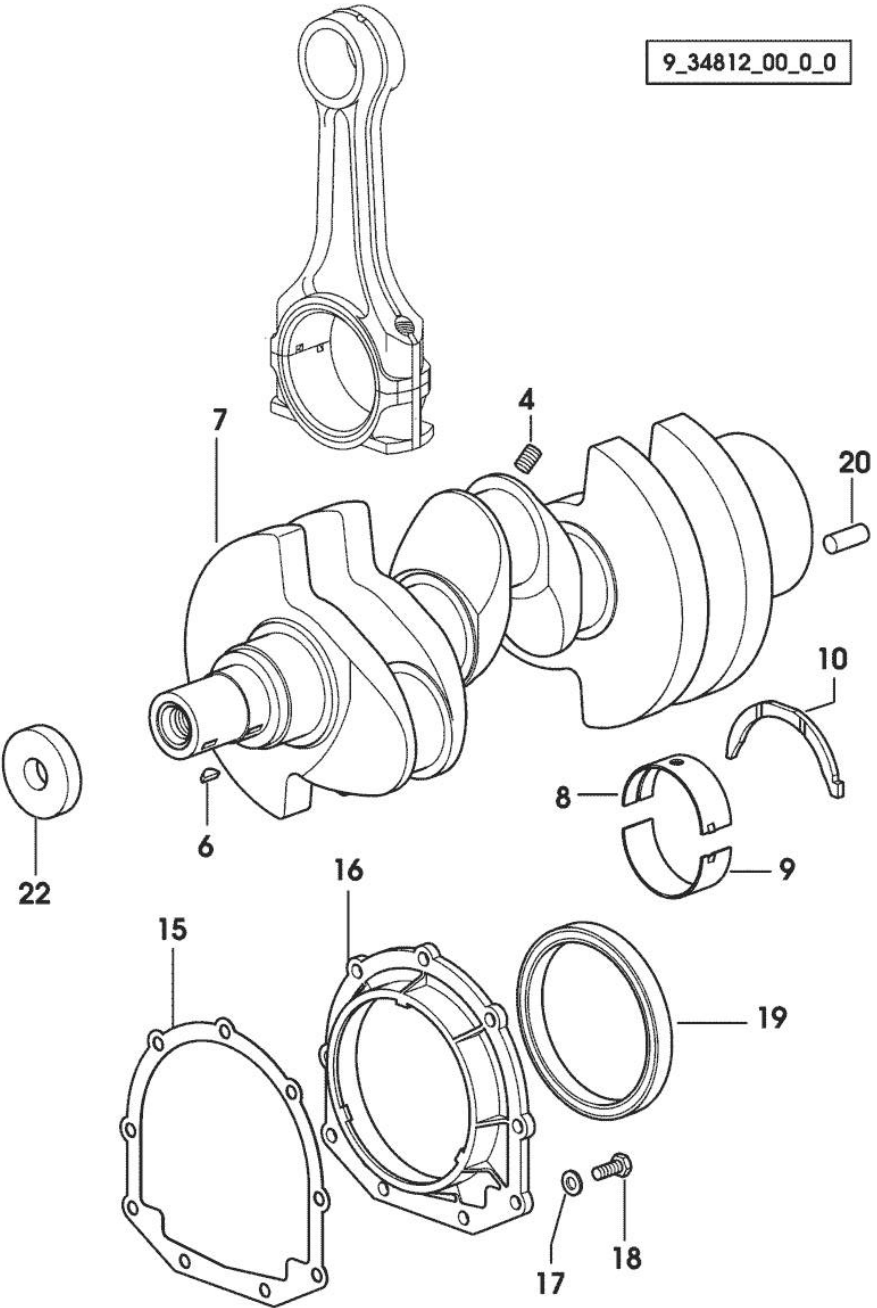


Fig.	P/n	QTY	Name
------	-----	-----	------

Notes:
 [AgroCompact 70F3]

4	2.3130.001.1	3	plug 1/8" gas
6	2.1720.006.0	2	key 4x6.5
7	0.007.1554.0/20	1	crankshaft
8	0.065.1215.0	4	main half bushing STANDARD
8	0.065.1215.7		main half bushing - mm 0.25
8	0.065.1215.8		main half bushing - mm 0.50
9	0.065.1216.0	4	main half bushing
9	0.065.1216.7		main half bushing - mm 0.25
9	0.065.1216.8		main half bushing - mm 0.50
10	0.065.1218.0	4	shim STANDARD
10	0.065.1218.7		shim + mm 0.10
10	0.065.1218.8		shim + mm 0.15
15	0.065.1254.0/20	1	gasket
16	0.007.1711.0/10	1	cover
17	2.1475.002.2	9	conical washer 8
18	2.0112.207.2	9	screw m 8 p 1.25 x 20
19	2.1529.073.0	1	special oil seal 110x130x13
20	2.1651.915.0	1	pin 12x35
22	2.1599.524.7	1	washer 21x60x12

CYLINDER - PISTON - CONNECTING ROD

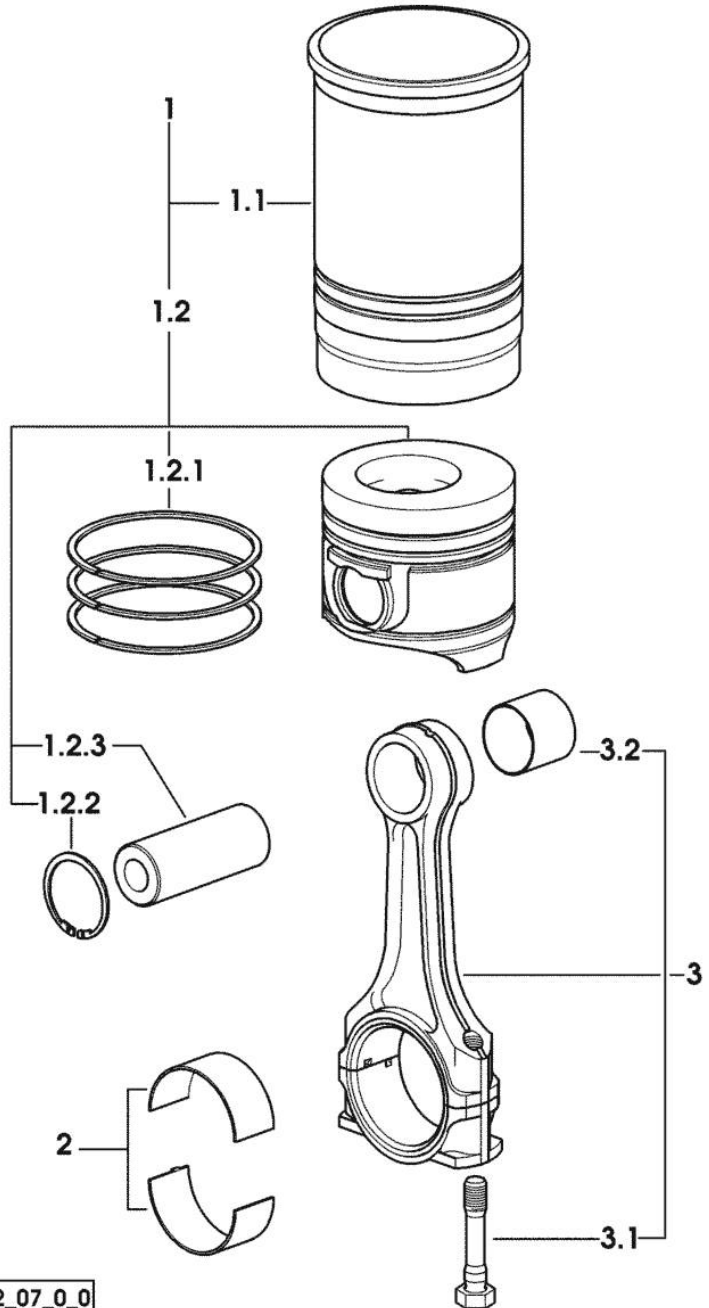


Fig.	P/n	QTY	Name
------	-----	-----	------

Notes:
[AgroCompact 70F3]

1	0.388.0065.A	3	cyl. piston assembly "A" - CLASS A
1	0.388.0065.B	3	cyl. piston assembly "B" - CLASS B
1.1	0.011.0183.0/20	1	engine cylinder 1757 <= X AgroCompact 70F3
1.1	0.A12.2675.0	1	engine cylinder "A" => 1758 X AgroCompact 70F3 - CLASS A
1.1	0.B12.2675.0	1	engine cylinder "B" => 1758 X AgroCompact 70F3 - CLASS B
1.2	0.381.0060.6/10	1	complete piston 1757 <= X AgroCompact 70F3
1.2	0.381.0060.A	1	complete piston "A" => 1758 X AgroCompact 70F3 - CLASS A
1.2	0.381.0060.B	1	complete piston "B" => 1758 X AgroCompact 70F3 - CLASS B
1.2.1	0.338.0052.6/20	1	piston ring set
1.2.2	2.1411.014.1	2	circlip 35
1.2.3	0.078.1236.0	1	piston pin Ø 18 / Ø 35 / L = mm 86
2	0.065.1225.0	6	con.rod half bushing STANDARD - A = 28.75 -> 29.00
2	0.065.1225.7	6	con.rod half bushing - mm 0.25
2	0.065.1225.8	6	con.rod half bushing - mm 0.50
3	0.078.1220.3/30	3	engine connecting rod
3.1	2.0399.213.0	2	screw m 12 p.1.25x61.5
3.2	2.1559.114.0/10	1	special bushing

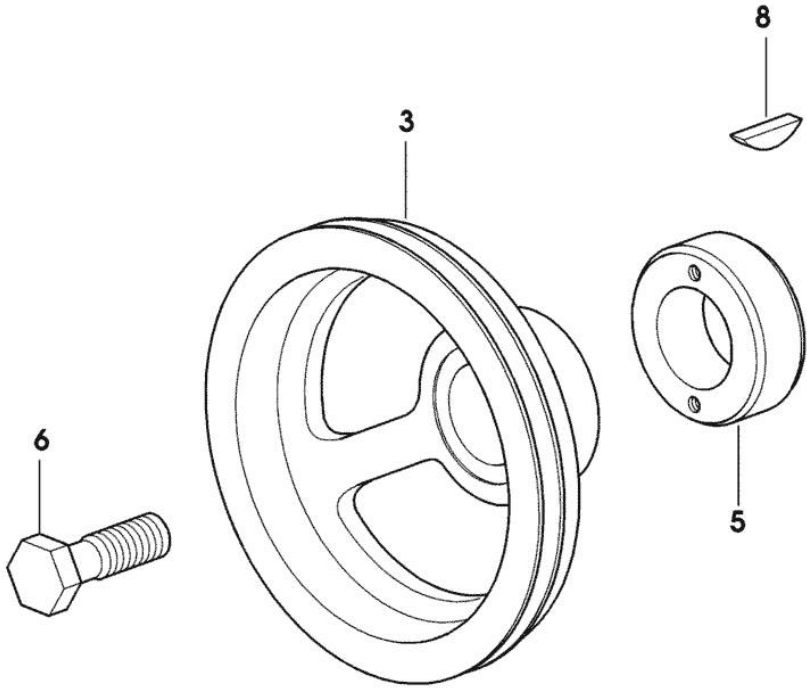
9_38612_07_0_0

CRANKSHAFT PULLEY

Fig.	P/n	QTY	Name
------	-----	-----	------

Notes:
[AgroCompact 70F3]

3	0.007.1457.0/30	1	pulley
5	0.085.1248.0/10	1	hub
6	2.0399.144.7/10	1	screw m 20 p.1.5x51
8	2.1720.006.0	1	key 4x6.5



9_33312_02_0_0

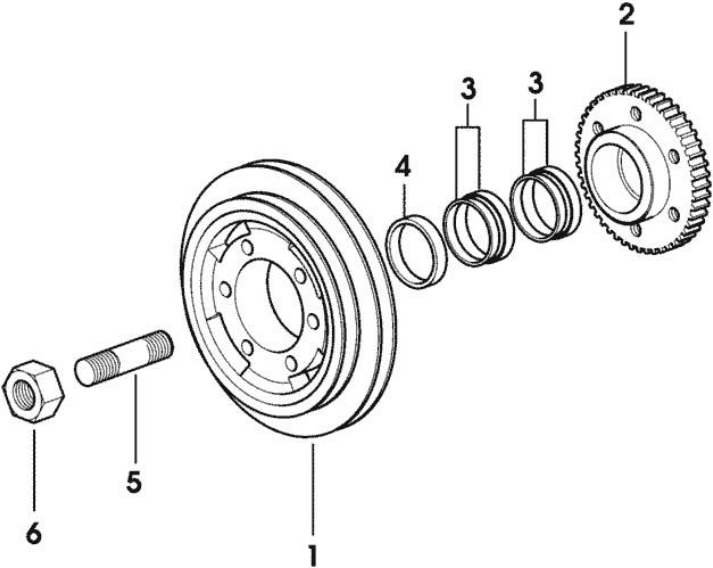
ENGINE SHAFT - FRONT P.T.O. PULLEYS

Fig.	P/n	QTY	Name
------	-----	-----	------

Notes:

[AgroCompact 70F3]

1	0.010.4910.0	1	pulley
2	0.011.3515.0/10	1	hub Z = 48
3	0.065.1256.0	2	ring 45x52
4	2.1579.865.0	1	spacer 45.2x51.8x10
5	2.0439.195.7	1	stud bolt m 20 p.1.5x80
6	2.1019.094.7	1	nut m 20 p.1.5



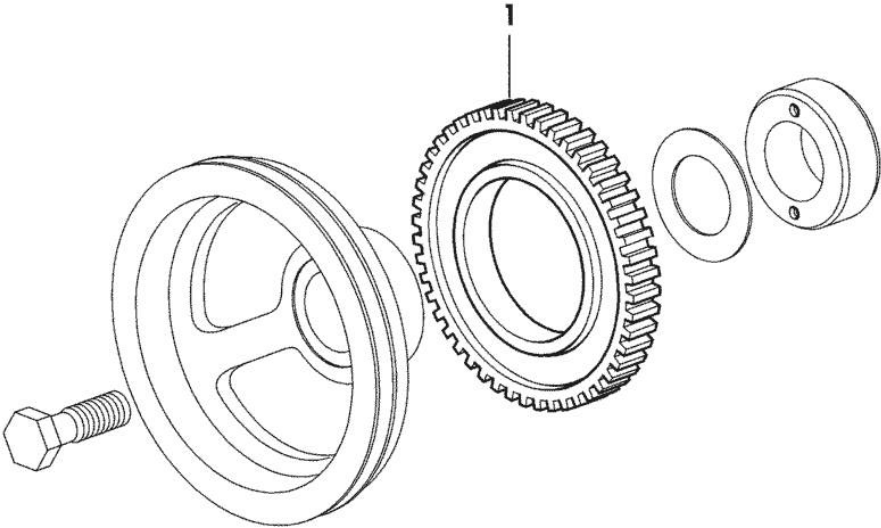
9_38912_08_0_0

Section: ENGINE
PULSE WHEEL

Fig.	P/n	QTY	Name
------	-----	-----	------

Notes:
[AgroCompact 70F3]

1	0.011.3531.0	1	gear Z = 48
---	--------------	---	-------------



9_36812_05_0_0

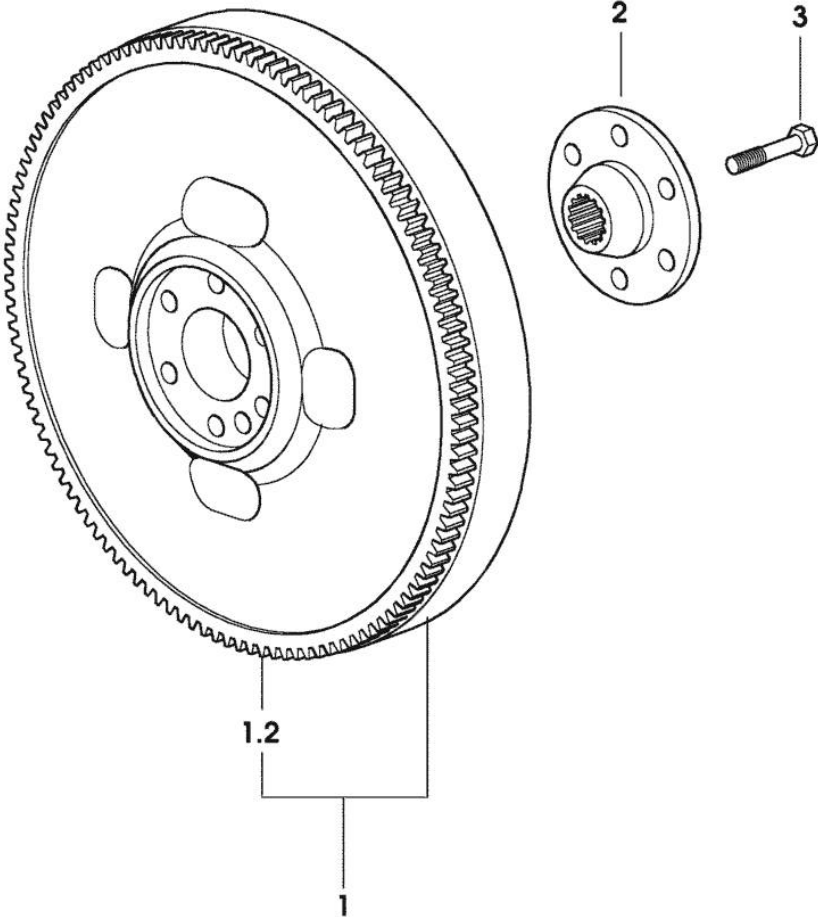
Section: ENGINE

FLYWHEEL

Fig.	P/n	QTY	Name
------	-----	-----	------

Notes:
[AgroCompact 70F3]

1	0.007.1883.3/10	1	flywheel
1.2	0.069.1242.0	1	crown wheel Z = 121
2	0.255.2525.0/10	1	flange
3	2.0139.022.2	6	screw m 12 p.1.25x55



9_37212_08_0_0

Thank you so much for reading.
Please click the “Buy Now!”
button below to download the
complete manual.



After you pay.

You can download the most
perfect and complete manual in
the world immediately.

Our support email:

ebooklibonline@outlook.com