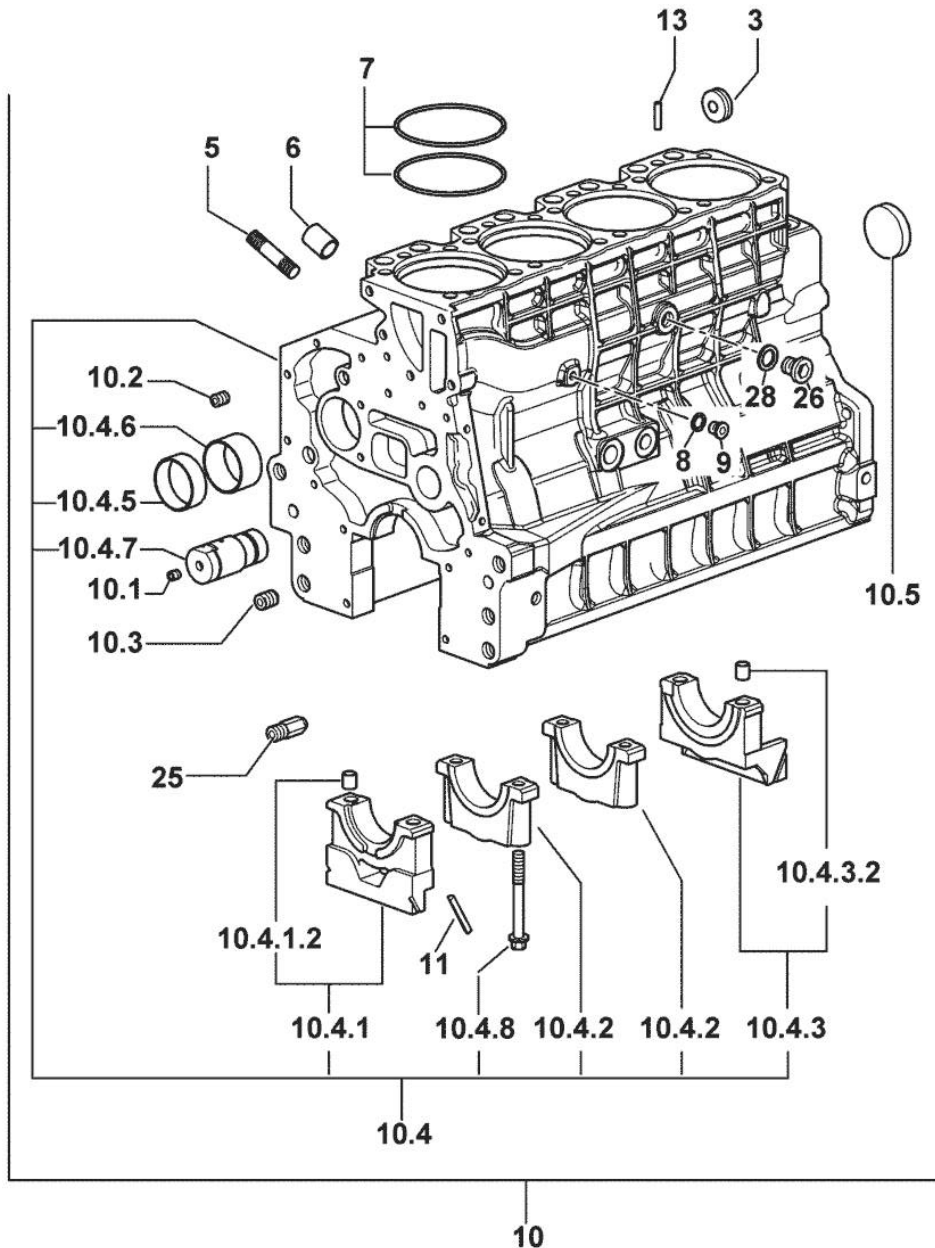


Section: ENGINE
CRANKCASE

9_M8211_00_0_A



| Fig. | P/n | QTY | Name |
|------|-----|-----|------|
|------|-----|-----|------|

Notes:
 [Agrocompact F75 (20")]

| | | | |
|----------|-----------------|----|------------------------------|
| 3 | 2.3199.312.2/10 | 1 | plug |
| 5 | 2.0439.273.7 | 8 | stud bolt m 8 |
| 6 | 2.1559.188.2 | 4 | bush 11.4 x 14 x16 |
| 7 | 2.1539.193.0 | 8 | special oil seal 107.62x2.62 |
| 8 | 2.1560.010.0 | 1 | gasket 14.2 x 20 |
| 9 | 2.3199.292.0 | 1 | plug 1/4" gas |
| 10 | 0.013.0489.4/30 | 1 | crankcase |
| 10.1 | 2.3130.001.1 | 10 | plug 1/8" gas |
| 10.2 | 2.3130.002.1 | 2 | plug 1/4" gas |
| 10.3 | 2.3130.003.1 | 6 | plug 3/8" gas |
| 10.4 | 0.000.0000.1 | | cannot be supplied |
| 10.4.1 | 0.065.1112.7 | 1 | support |
| 10.4.1.2 | 2.1699.165.0 | 1 | bush 12.3x15x16 |
| 10.4.2 | 0.065.1114.0/10 | 3 | support |
| 10.4.3 | 0.065.1116.3 | 1 | support |
| 10.4.3.2 | 2.1699.165.0 | 1 | bush 12.3x15x16 |
| 10.4.5 | 0.065.1140.0 | 4 | special bushing 59X55X20 |
| 10.4.6 | 0.065.1141.0 | 1 | special bushing 59X55X30 |
| 10.4.7 | 0.066.1151.0 | 1 | pin |
| 10.4.8 | 0.065.1117.0 | 10 | screw m 12 x 100 |
| 10.5 | 2.3179.012.0 | 1 | plug 60 |
| 11 | 0.066.1152.0/10 | 4 | gasket |
| 13 | 2.1549.154.2 | 4 | bush 4.8x5.8x16 |
| 25 | 0.013.4946.0/10 | 1 | sprayer nozzle |
| 26 | 2.3120.101.0 | 1 | plug m 18 p.1.5 |
| 28 | 2.1560.014.0 | 1 | washer 18.2 x 24 |

Section: ENGINE

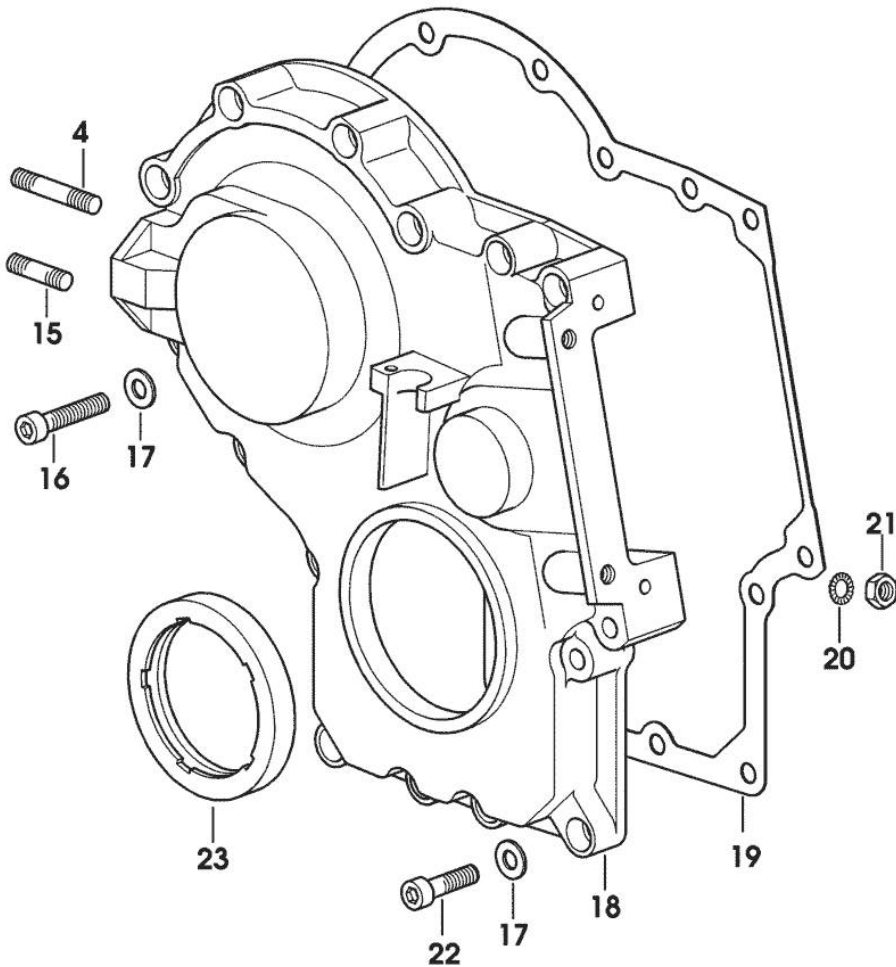
TIMING CASE

| Fig. | P/n | QTY | Name |
|------|-----|-----|------|
|------|-----|-----|------|

Notes:

[Agrocompact F75 (20")]

| | | | |
|----|-----------------|----|----------------------------------|
| 4 | 2.0432.009.7 | 1 | stud bolt m 8 p.1.25 / p. 1 x 35 |
| 15 | 2.0432.003.7 | 1 | stud bolt m 8 p.1.25 / p.1 x 20 |
| 16 | 2.0312.214.2 | 7 | screw m 8 p.1.25 x 40 |
| 17 | 2.1480.014.1 | 15 | washer 8 |
| 18 | 0.013.4981.0 | 1 | guard |
| 19 | 0.065.1150.0/30 | 1 | gasket |
| 20 | 2.1470.004.2 | 4 | lock washer 8 |
| 21 | 2.1011.405.2 | 2 | nut m 8 p.1 |
| 22 | 2.0312.208.2 | 8 | screw m 8 p.1.25 x 25 |
| 23 | 2.1529.167.0 | 1 | oil seal |



9_M8211_00_0_B

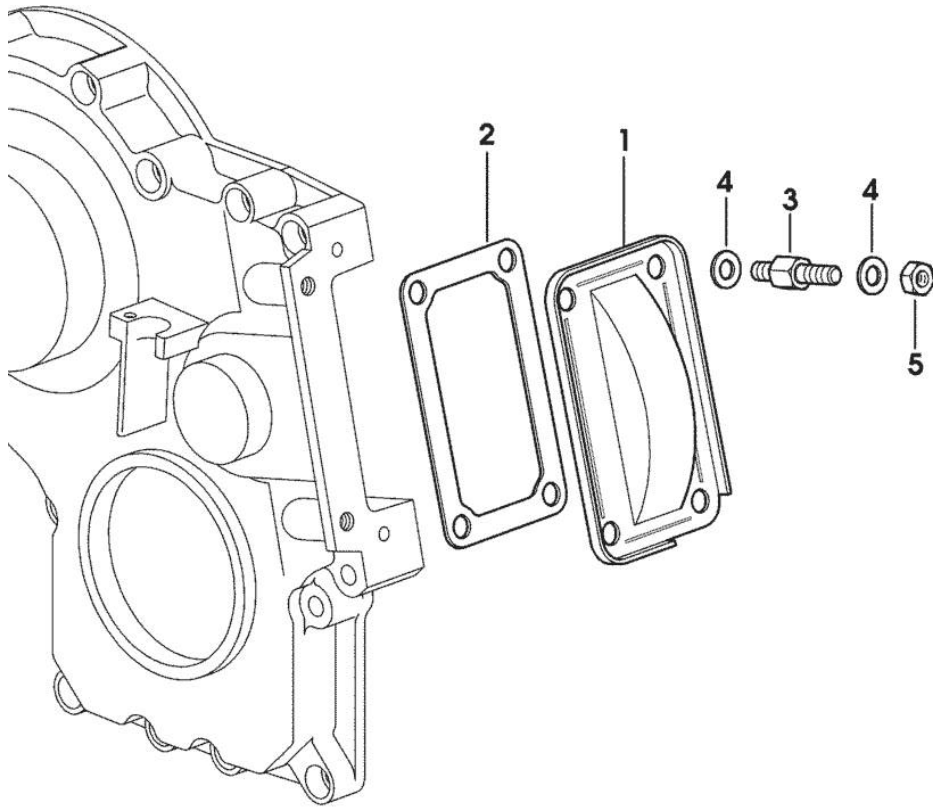
Section: ENGINE
CASING COVER

| Fig. | P/n | QTY | Name |
|------|-----|-----|------|
|------|-----|-----|------|

Notes:

[Agrocompact F75 (20")]

| | | | |
|---|-----------------|---|-------------------------------|
| 1 | 0.065.1151.0 | 1 | cover |
| 2 | 0.065.1152.0 | 1 | gasket |
| 3 | 0.013.6368.0/10 | 4 | stud bolt m 8 p.1 / = mm 46.5 |
| 4 | 2.1310.004.2 | 8 | flat washer 8.4x17 |
| 5 | 2.1011.405.2 | 4 | nut m 8 p.1 |



9_N1311_01_0_0

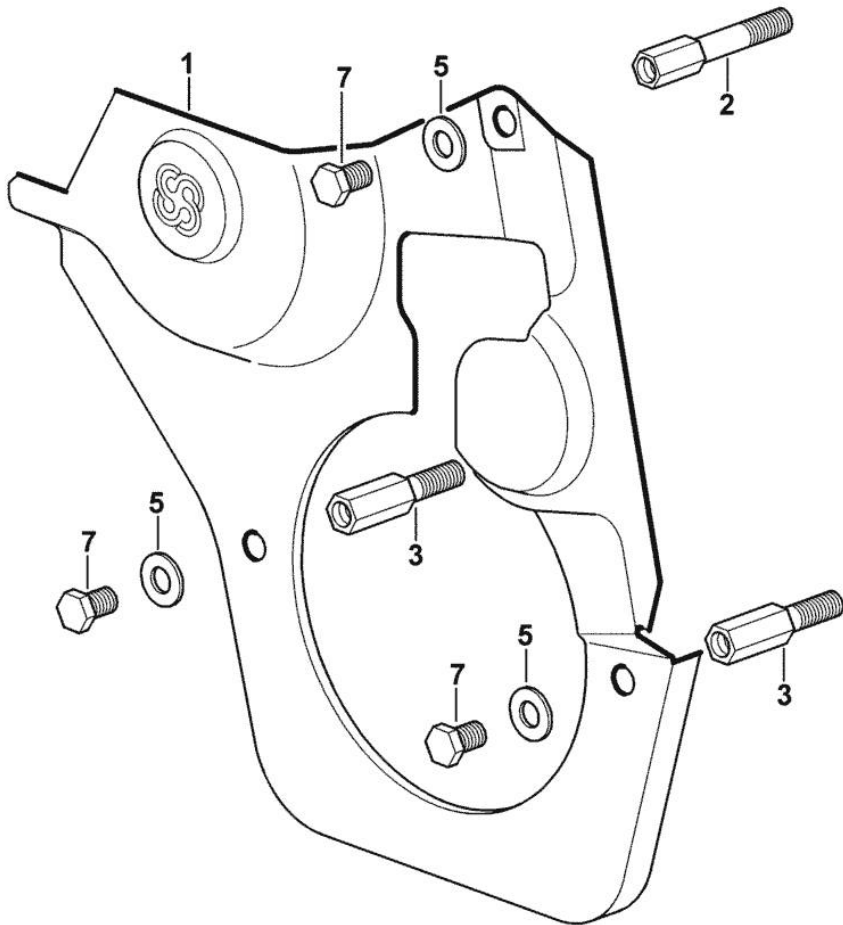
Section: ENGINE
GUARD PLATE

| Fig. | P/n | QTY | Name |
|------|-----|-----|------|
|------|-----|-----|------|

Notes:

[Agrocompact F75 (20")]

| | | | |
|---|-----------------|---|-------------------------------------|
| 1 | 0.007.1262.3/50 | 1 | guard |
| 2 | 0.007.1271.0/10 | 1 | small column m 8 p.1.25 / L = mm 60 |
| 3 | 0.007.1272.0/10 | 2 | small column m 8 p.1.25 / L = mm 50 |
| 5 | 2.1310.004.2 | 3 | flat washer 8.4x17 |
| 7 | 2.0112.203.2 | 3 | screw m 8 p.1.25 x 12 |



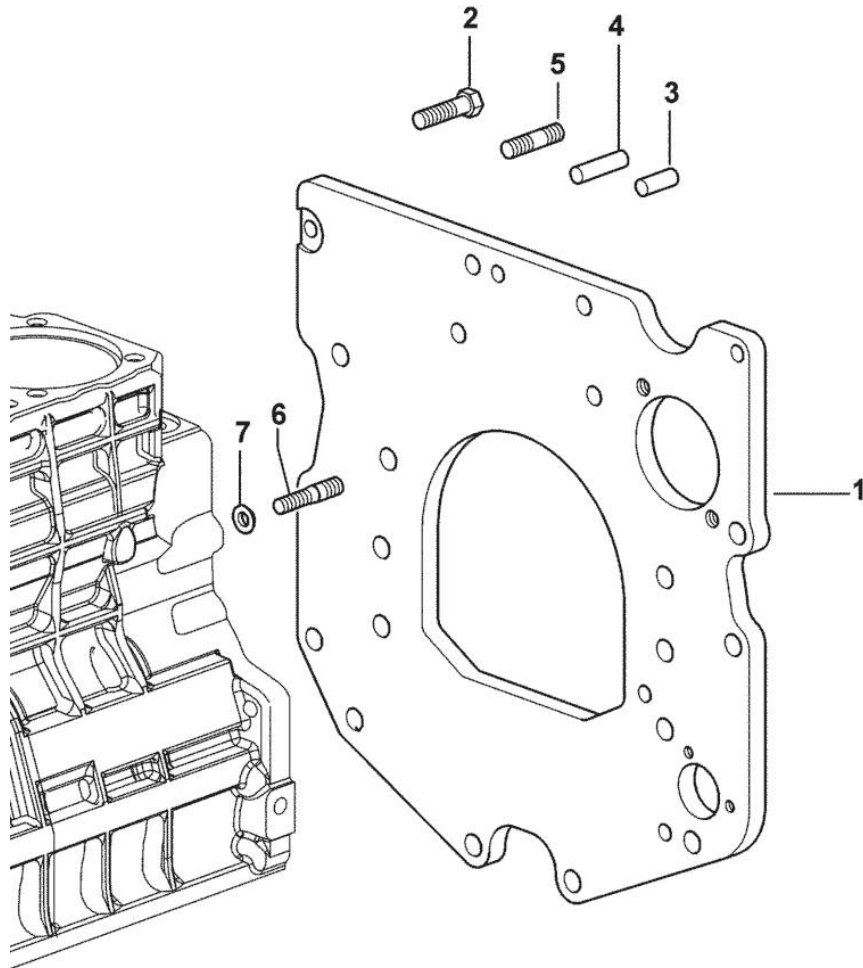
MONOBLOC ENGINE-GEARBOX CONNECTING FLANGE

| Fig. | P/n | QTY | Name |
|------|-----|-----|------|
|------|-----|-----|------|

Notes:

[Agrocompact F75 (20")]

| | | | |
|---|-----------------|---|-----------------------------------|
| 1 | 0.007.1882.0/50 | 1 | flange |
| 2 | 2.0112.511.2 | 8 | screw m 14 p.2 x 30 |
| 3 | 2.1651.912.0 | 2 | cylindrical plug 12x28 |
| 4 | 2.1651.917.0 | 1 | cylindrical plug 12x40 |
| 5 | 2.0432.257.7 | 1 | stud bolt m 12 p.1.75 - 1.25 x 30 |
| 6 | 2.0439.250.7 | 1 | stud bolt m 12 / m 10 x 30 |
| 7 | 0.011.9294.0/10 | 1 | bush |



9_38611_01_0_0

Section: ENGINE

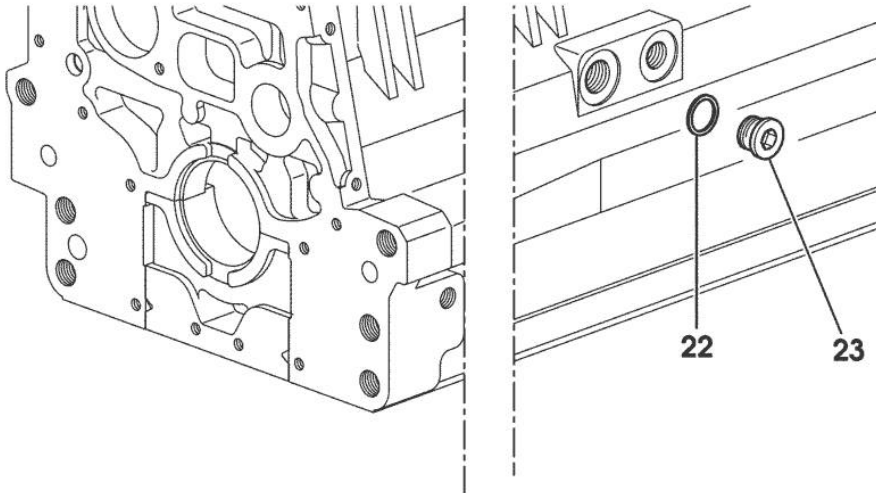
SIDE PLUG FOR CYLINDER BLOCK

| Fig. | P/n | QTY | Name |
|------|-----|-----|------|
|------|-----|-----|------|

Notes:

[Agrocompact F75 (20")]

| | | | |
|----|--------------|---|------------------|
| 22 | 2.1560.017.0 | 1 | gasket 22.2 x 27 |
| 23 | 2.3120.002.4 | 1 | plug m 22 x 1.5 |



9_33211_07_0_0

Section: ENGINE

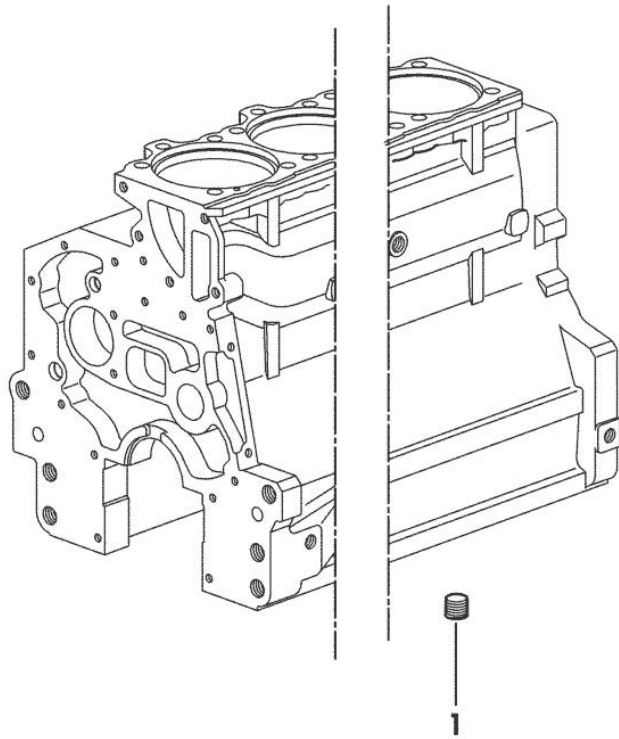
PLUG

| Fig. | P/n | QTY | Name |
|------|-----|-----|------|
|------|-----|-----|------|

Notes:

[Agrocompact F75 (20")]

| | | | |
|---|--------------|---|---------------|
| 1 | 2.3130.003.1 | 1 | plug 3/8" gas |
|---|--------------|---|---------------|

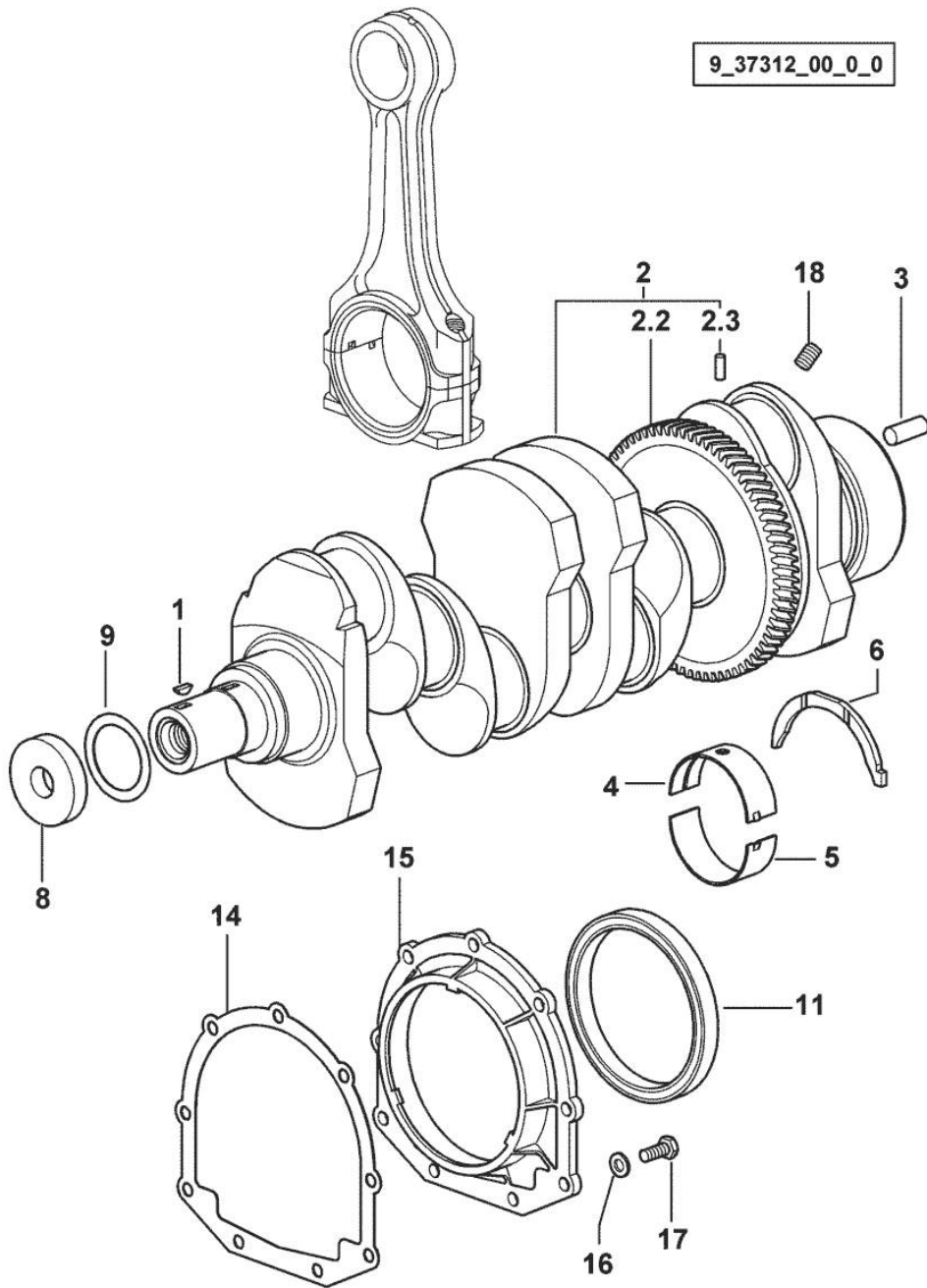


9_34311_06_0_0

Section: ENGINE

CRANKSHAFT

9_37312_00_0_0



| Fig. | P/n | QTY | Name |
|------|-----|-----|------|
|------|-----|-----|------|

Notes:

[Agrocompact F75 (20")]

| | | | |
|-----|-----------------|---|-----------------------------|
| 1 | 2.1720.006.0 | 1 | key 4x6.5 |
| 2 | 0.015.0463.3 | 1 | crankshaft |
| 2.2 | 0.065.1211.0/10 | 1 | crown wheel |
| 2.3 | 2.1630.608.0 | 1 | pin 6x16 |
| 3 | 2.1651.915.0 | 1 | pin 12x35 |
| 4 | 0.065.1215.0 | 5 | main half bushing STANDARD |
| 4 | 0.065.1215.7 | | main half bushing - mm 0.25 |
| 4 | 0.065.1215.8 | | main half bushing - mm 0.50 |
| 5 | 0.065.1216.0 | 5 | main half bushing |
| 5 | 0.065.1216.7 | | main half bushing - mm 0.25 |
| 5 | 0.065.1216.8 | | main half bushing - mm 0.50 |
| 6 | 0.065.1218.0 | 4 | shim STANDARD |
| 6 | 0.065.1218.7 | | shim + mm 0.10 |
| 6 | 0.065.1218.8 | | shim + mm 0.15 |
| 8 | 2.1599.524.7 | 1 | washer 21x60x12 |
| 9 | 2.1589.189.0 | 2 | shoulder ring mm 1.00 |
| 11 | 2.1529.073.0 | 1 | special oil seal 110x130x13 |
| 14 | 0.065.1254.0/20 | 1 | gasket |
| 15 | 0.007.1711.0/10 | 1 | cover |
| 16 | 2.1475.002.2 | 9 | conical washer 8 |
| 17 | 2.0112.207.2 | 9 | screw m 8 p 1.25 x 20 |
| 18 | 2.3130.001.1 | 4 | plug 1/8" gas |

Section: ENGINE

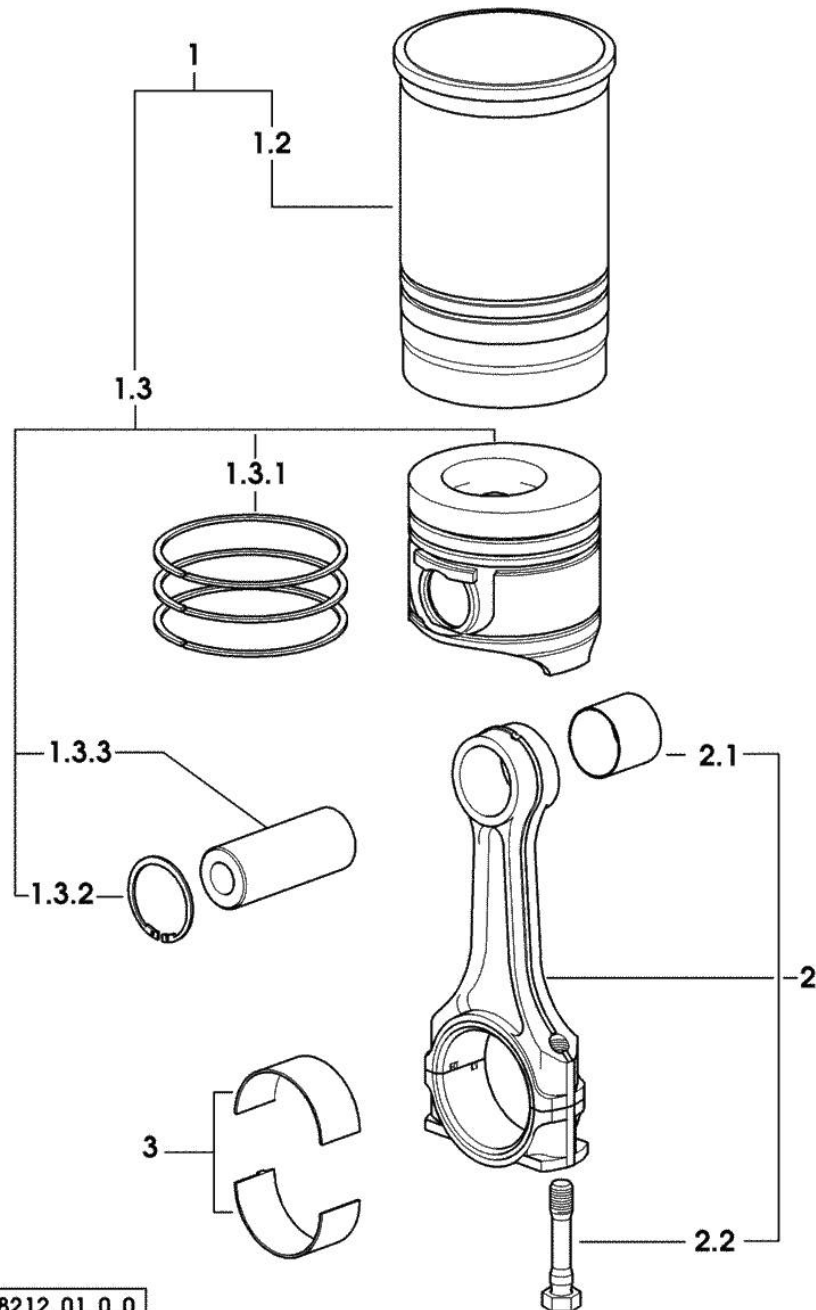
CYLINDER - PISTON - CONNECTING ROD

| Fig. | P/n | QTY | Name |
|------|-----|-----|------|
|------|-----|-----|------|

Notes:

[Agrocompact F75 (20")]

| | | | |
|-------|-----------------|---|--|
| 1 | 0.082.0065.A | 4 | cyl. piston assembly "A" - CLASS A |
| 1 | 0.082.0065.B | 4 | cyl. piston assembly "B" - CLASS B |
| 1.2 | 0.A12.2675.0 | 1 | engine cylinder "A" - CLASS A |
| 1.2 | 0.B12.2675.0 | 1 | engine cylinder "B" - CLASS B |
| 1.3 | 0.082.0060.A | 1 | complete piston "A" - CLASS A |
| 1.3 | 0.082.0060.B | 1 | complete piston "B" - CLASS B |
| 1.3.1 | 0.086.0052.6/10 | 1 | piston ring set |
| 1.3.2 | 2.1411.014.1 | 2 | circlip 35 |
| 1.3.3 | 0.078.1236.0 | 1 | piston pin Ø 18 / Ø 35 / L = mm 86 |
| 2 | 0.078.1220.3/30 | 4 | engine connecting rod |
| 2.1 | 2.1559.114.0/10 | 1 | special bushing |
| 2.2 | 2.0399.213.0 | 2 | screw m 12 p.1.25x61.5 |
| 3 | 0.065.1225.0 | 8 | con.rod half bushing STANDARD - A = 28.75 -> 29.00 |
| 3 | 0.065.1225.7 | 8 | con.rod half bushing - mm 0.25 |
| 3 | 0.065.1225.8 | 8 | con.rod half bushing - mm 0.50 |



9_M8212_01_0_0

Section: ENGINE

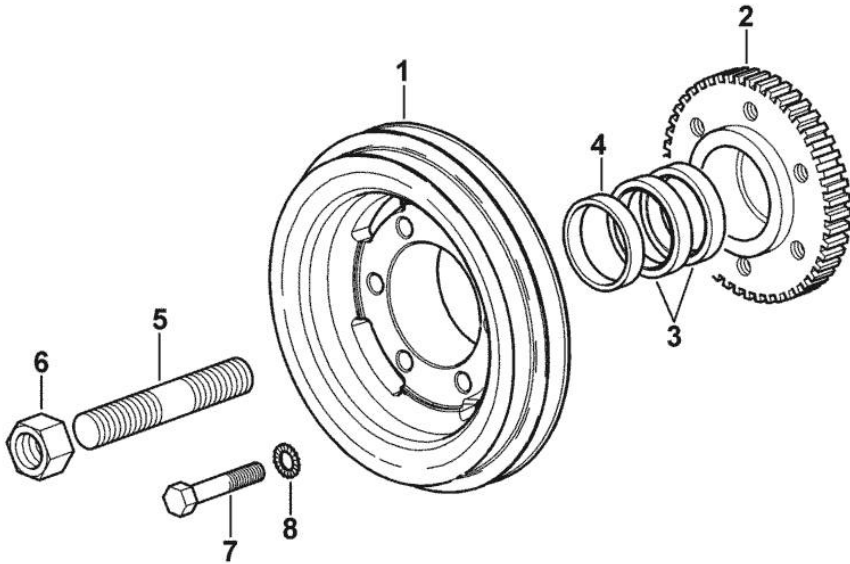
CRANKSHAFT PULLEY

| Fig. | P/n | QTY | Name |
|------|-----|-----|------|
|------|-----|-----|------|

Notes:

[Agrocompact F75 (20")]

| | | | |
|---|-----------------|---|-------------------------|
| 1 | 0.013.6349.0/10 | 1 | pulley |
| 2 | 0.011.3515.0/20 | 1 | hub Z = 48 |
| 3 | 0.065.1256.0 | 2 | ring 45x52 |
| 4 | 2.1579.865.0 | 1 | spacer 45.2x51.8x10 |
| 5 | 2.0439.195.7 | 1 | stud bolt m 20 p.1.5x80 |
| 6 | 2.1019.094.7 | 1 | nut m 20 p.1.5 |
| 7 | 2.0112.320.2 | 6 | screw m 10 p.1.5 x 55 |
| 8 | 2.1470.006.2 | 6 | lock washer 10 |



9_N1412_03_0_0

Section: ENGINE

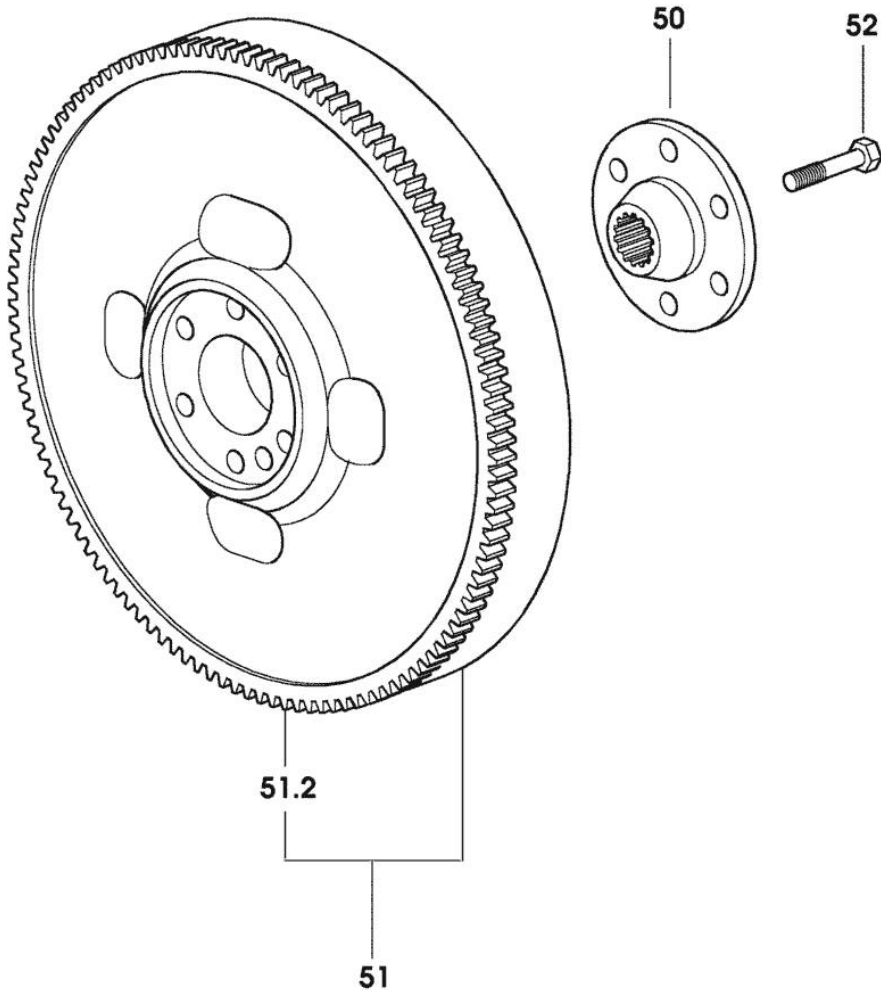
ENGINE FLYWHEEL

| Fig. | P/n | QTY | Name |
|------|-----|-----|------|
|------|-----|-----|------|

Notes:

[Agrocompact F75 (20")]

| | | | |
|------|-----------------|---|----------------------|
| 50 | 0.255.2525.0/10 | 1 | flange |
| 51 | 0.076.1247.3/20 | 1 | flywheel |
| 51.2 | 0.065.1242.0 | 1 | crown wheel Z = 123 |
| 52 | 2.0139.022.2 | 6 | screw m 12 p.1.25x55 |



9_33212_07_0_0

Thank you so much for reading.
Please click the “Buy Now!”
button below to download the
complete manual.



After you pay.

You can download the most
perfect and complete manual in
the world immediately.

Our support email:

ebooklibonline@outlook.com