

Section: ENGINE  
**CRANK CASE**

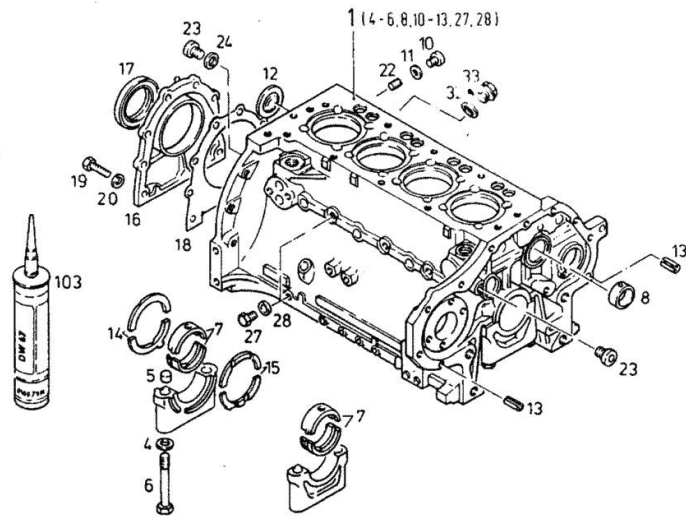
Fig.	P/n	QTY	Name
<b>Notes:</b> [AgroPrima 4.56]			
1	04156252	1	crankcase ORDER FROM PICTURE NO. 4-6,8, 10-13,27,28,32,33.
4	01216107	10	washer 15x23x1,5 H 002308-15 X23X1,5
5	04160764	10	bushing
6	04156058	10	screw
7	03362379	5	bearing UNDERSIZE STEP SEE ITEM 950-955
8	02139737	1	bushing
10	01110422	5	screw DIN 000908-M12X1,5-ST
11	01118673	5	oil seal DIN 007603-A 12 X 15,5-CU
12	01216240	1	disc
13	01167266	2	bush H 002341-B11X16
14	02230181	1	shim OVERSIZE SEE ITEM 956-959
15	02230170	1	shim OVERSIZE SEE ITEM 960-963
16	02234870	1	cover
17	04230392	1	special oil seal
18	03362337	1	gasket
19	01112322	8	screw m 8 p.1.25 x 20 ISO 004017-M 8 X 20 - 8.8-A4C
20	01107101	8	washer 8.4 DIN 000125-A 8,4-140HV-A4C
22	01215235	5	plug
23	04159934	2	screw
24	04159935	1	oil seal
27	01118998	2	screw DIN 007604-CM10X1 -ST-A4C
28	01118659	2	oil seal DIN 007603-A 10 X 13,5-CU
32	01118760	1	gasket 26x31 DIN 007603-A 26 X 31 -CU
33	01118985	1	screw am26x1,5 d7604



Kurbelgehäuse  
 Crankcase  
 Carter  
 Cárter

0150 - 01-0506 3047

1



Section: ENGINE  
**CRANK CASE**

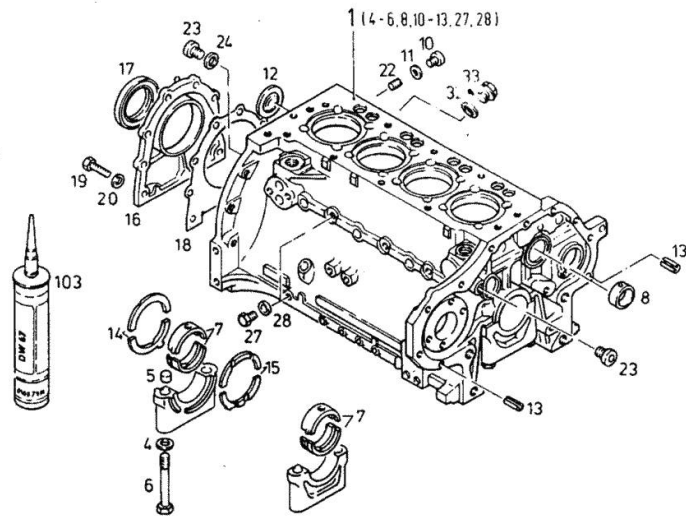
Fig.	P/n	QTY	Name
			DIN 007604-AM26X1,5 -ST-ZNPHR F
103	01016120	1	compound 1 kg
			H 000699-DEUTZ DW 47- 310 ML
950	03362380	5	bearing 1.UNDERSIZE STEP 69.75 MMRD (2,7459 IN.)
951	03362381	5	bearing 2.UNDERSIZE STEP 69.50 MMRD (2,7362 IN.)
952	03362382	5	bearing 3.UNDERSIZE STEP 69.25 MMRD (2,7263 IN.)
953	03362383	5	bearing 4.UNDERSIZE STEP 69.00 MMRD (2,7165 IN.)
954	03362384	5	bearing 5.UNDERSIZE STEP 68.75 MMRD (2,7066IN.)
955	03362385	5	bearing 6.UNDERSIZE STEP 68.50 MM RD (2,6968 IN.)
956	02230182	1	shim 1.OVERSIZ STEP 3.25 MM (0,1279 IN.)
957	02230183	1	shim 2.OVERSIZ STEP 3.50 MM (0,1378 IN.)
958	02230184	1	shim 3.OVERSIZ STEP 3.75 MM (0,1476 IN.)
959	02230185	1	shim 4.OVERSIZ STEP 4.00 MM (0,1575 IN.)
960	02230172	1	shim 1.OVERSIZ STEP 3.25 MM (0,1279 IN.)
961	02230173	1	shim 2.OVERSIZ STEP 3.50 MM (0,1378 IN.)
962	02230174	1	shim 3.OVERSIZ STEP 3.75MM (0,1476 IN.)
963	02230175	1	shim



Kurbelgehäuse  
 Crankcase  
 Carter  
 Cárter

0150 - 01-0506 3047

1



Section: ENGINE  
**CRANK CASE**

Fig.	P/n	QTY	Name
------	-----	-----	------

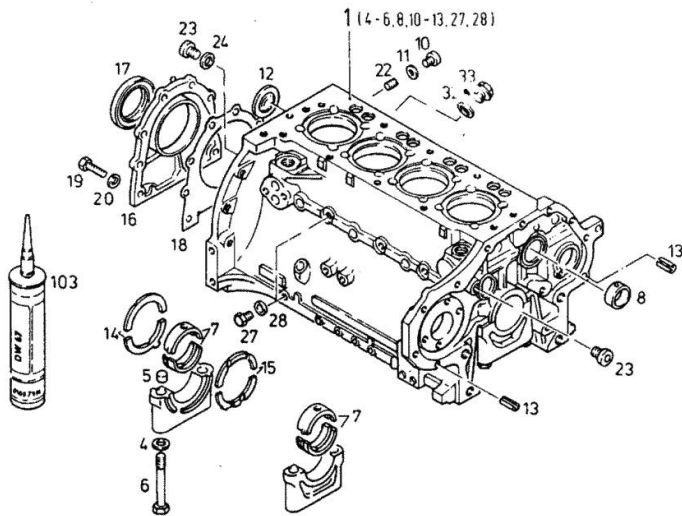
4.OVERSIZE STEP 4.00MM  
 (0,1575 IN.)



Kurbelgehäuse  
 Crankcase  
 Carter  
 Cárter

0150 - 01-0506 3047

1



Section: ENGINE

**BLANKING PARTS**

Fig.	P/n	QTY	Name
------	-----	-----	------

**Notes:**

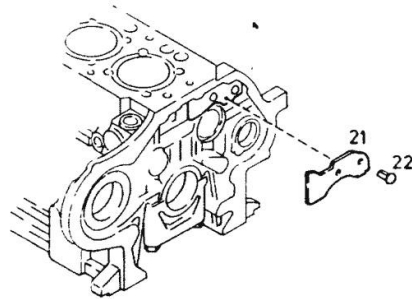
[AgroPrima 4.56]

21	02231082	1	plate UP TO MOTOR NO. (A) FROM ENGINE NO. SEE ITEM (B)
22	01115333	2	self tapping screw ISO 008746- 6 X10-ST -A4C
950	04156862	1	plate UP TO MOTOR NO. (A) FROM ENGINE NO. SEE ITEM (B)



Verschluss  
teile  
Locking parts  
Pieces de fermeture  
Partes de cierre

0150—01—504 2845



Section: ENGINE

**ACCESSORIES**

Fig.	P/n	QTY	Name
------	-----	-----	------

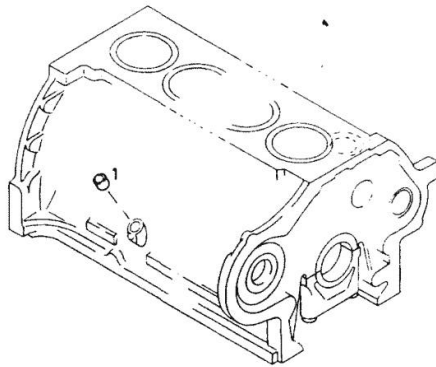
Notes:  
[AgroPrima 4.56]

1	01167269	1	bush H 002341-B13X14
---	----------	---	-------------------------



Anbauteile  
Attachments  
Accessories  
Partes de adosamiento

0150-01-504 2878



Section: ENGINE

**IDLER BEARING**

Fig.	P/n	QTY	Name
------	-----	-----	------

Notes:

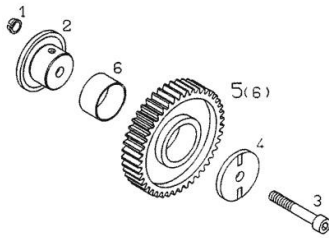
[AgroPrima 4.56]

1	04156283	1	bush
2	04156285	1	journal
3	02234177	1	screw
4	04154593	1	washer
5	04154591	1	gear wheel WITH ITEM ....
6	04154590	1	6, bushing



ZWISCHENRAUHLAGERUNG  
- IDLER GEAR BEARING  
TOURILLON DE PIGNON INTERMEDIAIRE  
SOPORTE PARA RUEDA INTERMEDIA

0150 -01- 0506 4563



Section: ENGINE  
**FRONT COVER**

Fig.	P/n	QTY	Name
------	-----	-----	------

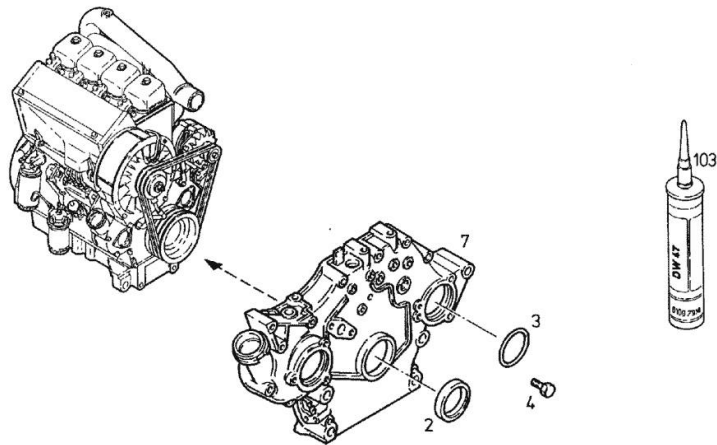
Notes:  
 [AgroPrima 4.56]

2	04154144	1	special oil seal
3	01180084	1	oil seal H 002927- 82 X 3,15K -MVQ-1-5 0
4	01102396	1	screw ISO 004017-M 8 X 8 - 8.8-A4C
7	04158417	1	cover
103	01016120	1	compound 1 kg H 000699-DEUTZ DW 47- 310 ML



Vorderer Deckel  
 Front cover  
 Couvercle avant  
 Tapa delantera

0150-01-0506 4299



Section: ENGINE

**FASTENINGS**

Fig.	P/n	QTY	Name
------	-----	-----	------

Notes:

[AgroPrima 4.56]

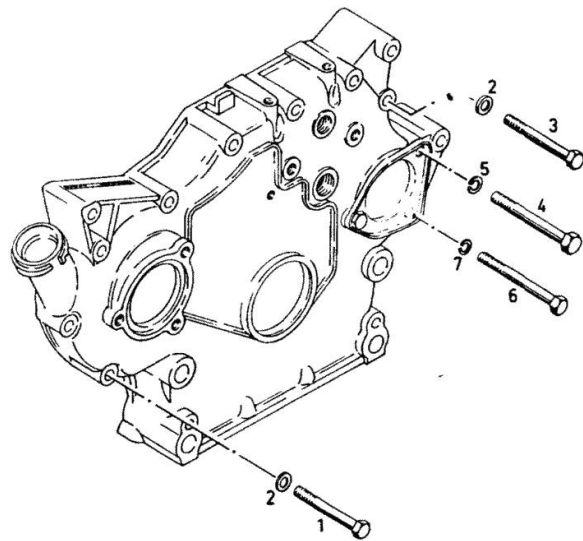
1	01127046	1	screw m 8 x 60 ISO 004017-M 8 X 60 - 8.8-A4C
2	01107101	3	washer 8.4 DIN 000125-A 8,4-140HV-A4C
3	01111179	2	screw m 8 x 70, d931 ISO 004014- M 8 X 70 - 8.8-A4 C
4	01111336	1	screw m 10 x 75 DIN 000931- M10 X 75 - 8.8-A4 C
5	01102800	1	washer 10.2 DIN 000128-A 10 -FST -A4C
6	01122399	1	screw ISO 004014- M 8 X 85 - 8.8-A4 C
7	01102799	1	washer 8, d128 DIN 000128-A 8 -FST -A4C



Befestigungsteile  
Fastening parts  
Pièces de fixation  
Partes de fijación



0150-01-500 6842





Section: ENGINE

**BLANKING PARTS**

Fig.	P/n	QTY	Name
------	-----	-----	------

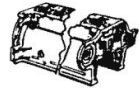
**Notes:**

[AgroPrima 4.56]

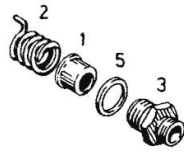
1	02135019	1	tube
2	02237638	1	spring
3	02234350	1	vent
5	01118750	1	oil seal DIN 007603-A 24 X 30 -AL



Verschluss-teile  
Locking parts  
Pièces de fermeture  
Partes de cierre



0150-01-503 0825



Section: ENGINE

**SEALING COVER FOR INJECTION TIMING GEAR**

Fig.	P/n	QTY	Name
------	-----	-----	------

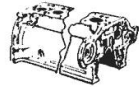
**Notes:**

[AgroPrima 4.56]

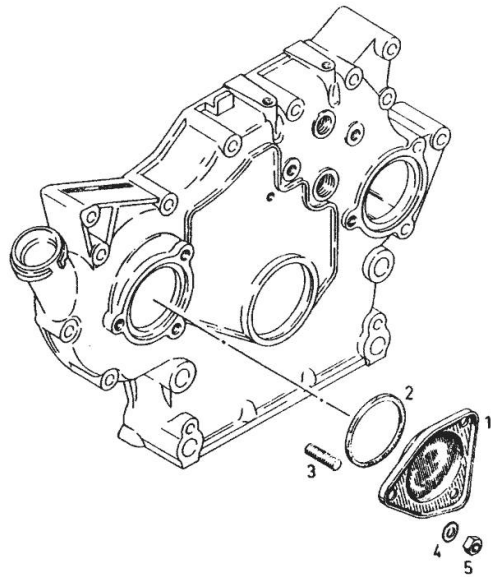
1	04152404	1	cover
2	01166110	1	ring H 002927- 80 X 3 -NBR-1-60
3	01178540	3	screw H 002091- 835-M 8 X 16- 8.8-A 4C-MK-1,5D-BL
4	01216143	3	ring
5	01112824	3	nut m 8, d934 ISO 004032-M 8 - 8-A4C



Verschlußdeckel für Spritzversteller  
Cover for advance/retard unit  
Couvercle pour avance automatique  
Tapa de cierre para graduador de avance de inyección



0150-01-500 3331



Section: ENGINE

**ACCESSORIES**

Fig.	P/n	QTY	Name
------	-----	-----	------

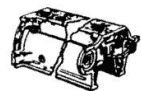
**Notes:**

[AgroPrima 4.56]

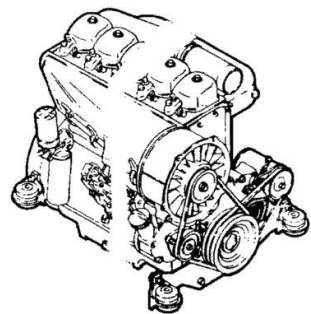
1	02235014	1	cover
---	----------	---	-------



Anbauteile  
Attachments  
Accessoires  
Partes de adosamiento



0150-01-503 2468



Thank you so much for reading.  
Please click the “Buy Now!”  
button below to download the  
complete manual.



After you pay.

You can download the most  
perfect and complete manual in  
the world immediately.

Our support email:

[ebooklibonline@outlook.com](mailto:ebooklibonline@outlook.com)