

Section: ENGINE  
**CRANK CASE**

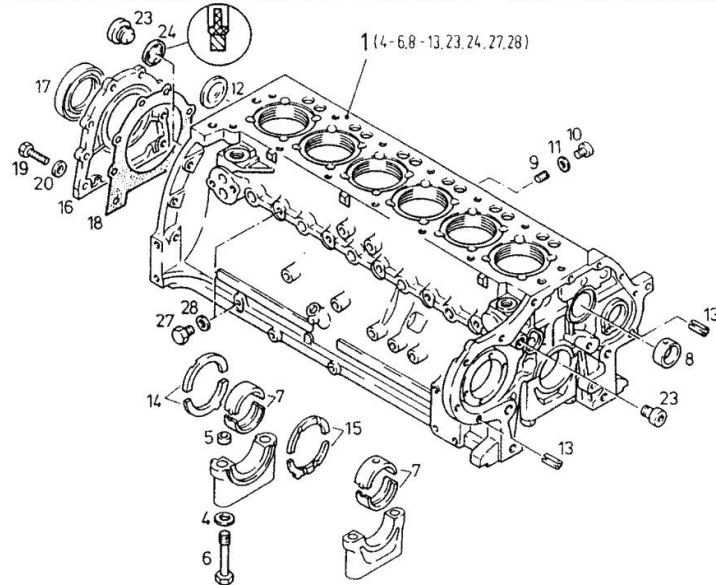
Fig.	P/n	QTY	Name
<b>Notes:</b> [AgroPrima 6.16]			
1	04156225	1	crankcase WITH ITEM .... 4-6,8-13,23,27,28.
4	01216107	14	washer 15x23x1,5 H 002308-15 X23X1,5
5	04160764	14	bushing
6	04156058	14	screw
7	03362379	7	bearing NORMAL (A)MM, UNDERSIZE STEP SEE ITEM(B) A = 70,00 (2.7559 INCH) B = 950-955
8	02139737	1	bushing
9	01215235	7	plug
10	01110422	6	screw DIN 000908-M12X1,5-ST
11	01118673	6	oil seal DIN 007603-A 12 X 15,5-CU
12	01216240	1	disc
13	01167266	2	bush H 002341-B11X16
14	02230181	1	shim NORMAL (A)MM, OVERDIMENSION LEVEL SEE ITEM (B) A = 3,00 MM (0.1181 INCH) B = 956-959
15	02230170	1	shim NORMAL (A)MM, OVERDIMENSION LEVEL SEE ITEM (B) A = 3,00 MM (0.1181 INCH) B = 960-963
16	02234870	1	cover
17	04230392	1	special oil seal
18	03362337	1	gasket
19	01112322	8	screw m 8 p.1.25 x 20 ISO 004017-M 8 X 20 - 8.8-A4C
20	01107101	8	washer 8.4 DIN 000125-A 8,4-140HV-A4C
23	04159934	2	screw
24	04159935	1	oil seal
27	01118998	5	screw



Kurbelgehäuse  
 Crankcase  
 Carter  
 Carter

0150 -01 -0506 3053

3



Section: ENGINE  
**CRANK CASE**

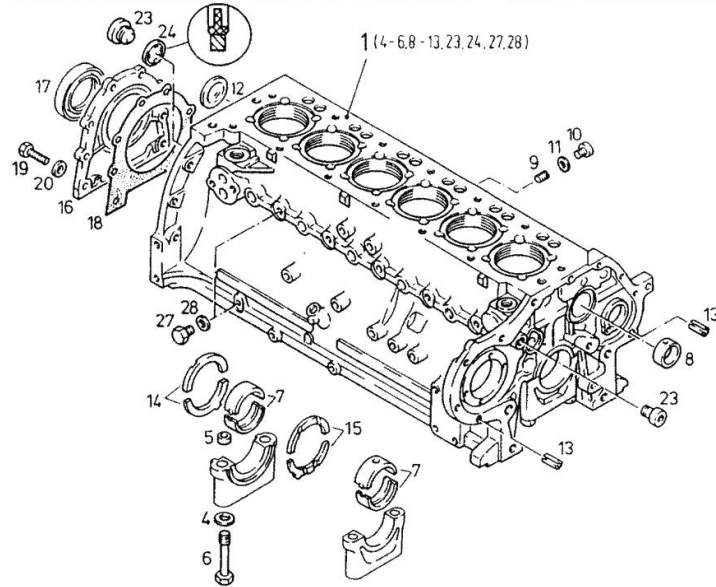
Fig.	P/n	QTY	Name
28	01118659	5	DIN 007604-CM10X1 -ST-A4C oil seal
103	01016120	1	DIN 007603-A 10 X 13,5-CU compound 1 kg
950	03362380	7	H 000699-DEUTZ DW 47- 310 ML bearing 1ST UNDERSIZE 69,75 MM RD (2.7461 INCH)
951	03362381	7	bearing 2ND UNDERSIZE 69,50 MM RD (2.7362 INCH)
952	03362382	7	bearing 3RD UNDERSIZE 69,25 MM RD (2.7263 INCH)
953	03362383	7	bearing 4TH UNDERSIZE 69,00 MM RD (2.7165 INCH)
954	03362384	7	bearing 5TH UNDERSIZE 68,75 MM RD (2.7067 INCH)
955	03362385	7	bearing 6TH UNDERSIZE 68,50 MM RD (2.6969 INCH)
956	02230182	1	shim 1ST OVERSIZE 3,25 MM (0.1279 INCH)
957	02230183	1	shim 2ND OVERSIZE 3,50 MM (0.11378 INCH)
958	02230184	1	shim 3RD OVERSIZE 3,75 MM (0.1476 INCH)
959	02230185	1	shim 4TH OVERSIZE 4,00 MM (0.1575 INCH)
960	02230172	1	shim 1ST OVERSIZE 3,25 MM (0.1279 INCH)
961	02230173	1	shim 2ND OVERSIZE 3,50 MM (0.1378 INCH)
962	02230174	1	shim 3RD OVERSIZE 3,75 MM (0.1476 INCH)



Kurbelgehäuse  
 Crankcase  
 Carter  
 Carter

0150 -01 -0506 3053

3



Section: ENGINE  
**CRANK CASE**

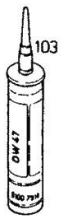
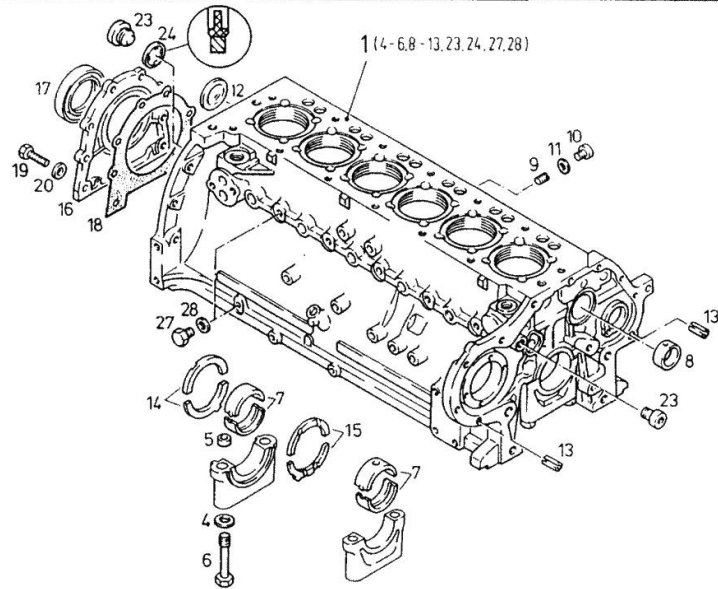
Fig.	P/n	QTY	Name
963	02230175	1	shim 4TH OVERSIZE 4,00 MM (0.1575 INCH)



Kurbelgehäuse  
 Crankcase  
 Carter  
 Carter

0150 - 01 - 0506 3053

3



Section: ENGINE

**BLANKING PARTS**

Fig.	P/n	QTY	Name
------	-----	-----	------

**Notes:**

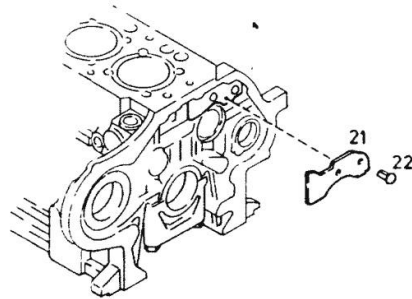
[AgroPrima 6.16]

21	02231082	1	plate UP TO MOTOR NO. (A) FROM ENGINE NO. SEE ITEM (B)
22	01115333	2	self tapping screw ISO 008746- 6 X10-ST -A4C
950	04156862	1	plate UP TO MOTOR NO. (A) FROM ENGINE NO. SEE ITEM (B)



Verschluss  
teile  
Locking parts  
Pieces de fermeture  
Partes de cierre

0150—01—504 2845



Section: ENGINE

**ACCESSORIES**

Fig.	P/n	QTY	Name
------	-----	-----	------

**Notes:**

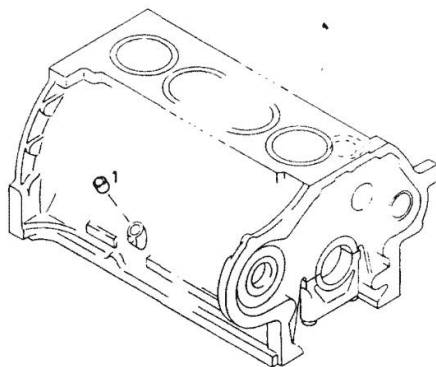
[AgroPrima 6.16]

1	01167269	1	bush H 002341-B13X14
---	----------	---	-------------------------



Anbauteile  
Attachments  
Accessories  
Partes de adosamiento

0150-01-504 2878



Section: ENGINE

**IDLER BEARING**

Fig.	P/n	QTY	Name
------	-----	-----	------

**Notes:**

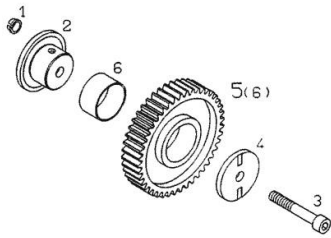
[AgroPrima 6.16]

1	04156283	1	bush
2	04156285	1	journal
3	02234177	1	screw
4	04154593	1	washer
5	04154591	1	gear wheel WITH ITEM ....
6	04154590	1	6, bushing



ZWISCHENRAUHLAGERUNG  
- IDLER GEAR BEARING  
TOURILLON DE PIGNON INTERMEDIAIRE  
SOPORTE PARA RUEDA INTERMEDIA

0150 -01- 0506 4563



Section: ENGINE  
**FRONT COVER**

Fig.	P/n	QTY	Name
------	-----	-----	------

**Notes:**

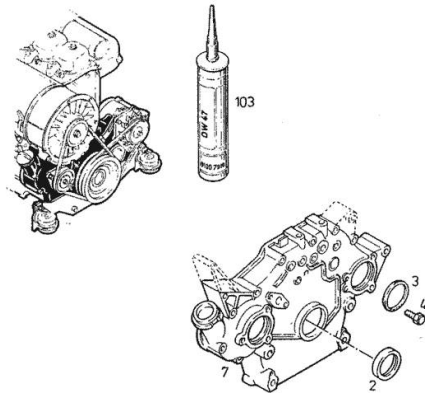
[AgroPrima 6.16]

2	04154144	1	special oil seal
3	01180084	1	oil seal H 002927- 82 X 3,15K -MVQ-1-5 0
4	01102396	1	screw ISO 004017-M 8 X 8 - 8.8-A4C
7	04159883	1	cover
103	01016120		compound 1 kg H 000699-DEUTZ DW 47- 310 ML



Vorderer Deckel  
 Front cover  
 Couvrecle avant  
 Tapa delantera

0150-01-0506 3804



Section: ENGINE

**FASTENINGS**

Fig.	P/n	QTY	Name
------	-----	-----	------

Notes:

[AgroPrima 6.16]

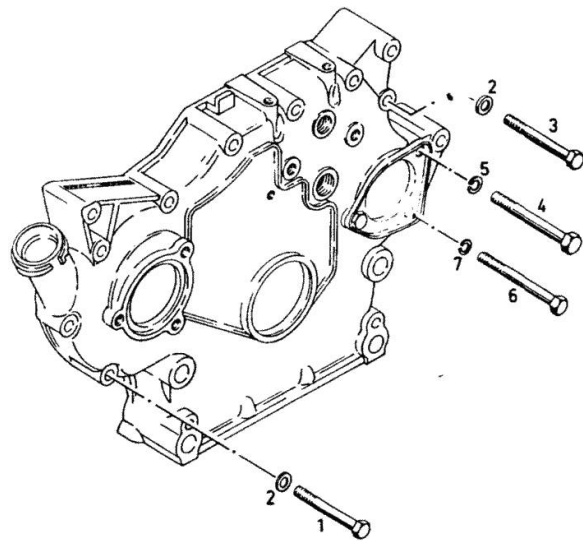
1	01127046	1	screw m 8 x 60 ISO 004017-M 8 X 60 - 8.8-A4C
2	01107101	3	washer 8.4 DIN 000125-A 8,4-140HV-A4C
3	01111179	2	screw m 8 x 70, d931 ISO 004014- M 8 X 70 - 8.8-A4 C
4	01111336	1	screw m 10 x 75 DIN 000931- M10 X 75 - 8.8-A4 C
5	01102800	1	washer 10.2 DIN 000128-A 10 -FST -A4C
6	01122399	1	screw ISO 004014- M 8 X 85 - 8.8-A4 C
7	01102799	1	washer 8, d128 DIN 000128-A 8 -FST -A4C



Befestigungsteile  
Fastening parts  
Pièces de fixation  
Partes de fijación



0150-01-500 6842





Section: ENGINE

**FIXING PARTS FOR FRONT COVER**

Fig.	P/n	QTY	Name
------	-----	-----	------

Notes:

[AgroPrima 6.16]

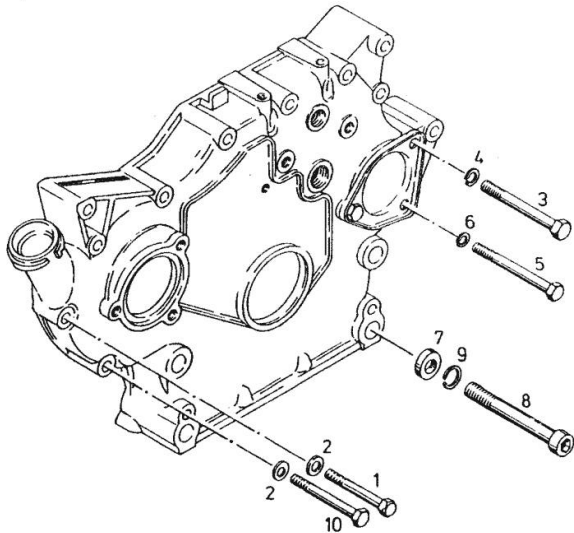
1	01127046	1	screw m 8 x 60 ISO 004017-M 8 X 60 - 8.8-A4C
2	01107101	3	washer 8.4 DIN 000125-A 8,4-140HV-A4C
3	01111336	1	screw m 10 x 75 DIN 000931- M10 X 75 - 8.8-A4 C
4	01102800	1	washer 10.2 DIN 000128-A 10 -FST -A4C
5	01122399	1	screw ISO 004014- M 8 X 85 - 8.8-A4 C
6	01102799	1	washer 8, d128 DIN 000128-A 8 -FST -A4C
7	01107556	4	washer DIN 000433-15 -140HV-A4C
8	01102298	4	screw DIN 000912- M14 X110 -10.9-A4 C
9	01127679	4	spring washer DIN 007980-14-FST-A4C
10	01111179	1	screw m 8 x 70, d931 ISO 004014- M 8 X 70 - 8.8-A4 C



Befestigungsteile zum vorderen Deckel  
Fastening parts for front cover  
Pièces de fixation pour couvercle avant  
Partes de fijación para tapa delantera



0150-01-500 3305



Section: ENGINE

**BLANKING PARTS**

Fig.	P/n	QTY	Name
------	-----	-----	------

**Notes:**

[AgroPrima 6.16]

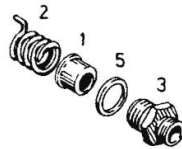
1	02135019	1	tube
2	02237638	1	spring
3	02234350	1	vent
5	01118750	1	oil seal DIN 007603-A 24 X 30 -AL



Verschluss-teile  
Locking parts  
Pièces de fermeture  
Partes de cierre



0150-01-503 0825



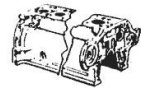
Section: ENGINE

**SEALING COVER FOR INJECTION TIMING GEAR**

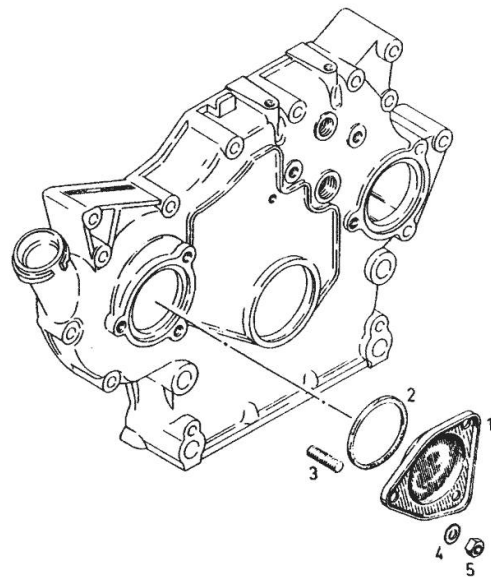
Fig.	P/n	QTY	Name
<b>Notes:</b>			
[AgroPrima 6.16]			
1	04152404	1	cover
2	01166110	1	ring H 002927- 80 X 3 -NBR-1-60
3	01178540	3	screw H 002091- 835-M 8 X 16- 8.8-A 4C-MK-1,5D-BL
4	01216143	3	ring
5	01112824	3	nut m 8, d934 ISO 004032-M 8 - 8-A4C



Verschlußdeckel für Spritzversteller  
Cover for advance/retard unit  
Couvercle pour avance automatique  
Tapa de cierre para graduador de avance de inyección



0150-01-500 3331



Thank you so much for reading.  
Please click the “Buy Now!”  
button below to download the  
complete manual.



After you pay.

You can download the most  
perfect and complete manual in  
the world immediately.

Our support email:

[ebooklibonline@outlook.com](mailto:ebooklibonline@outlook.com)