

Section: ENGINE
CRANK CASE

Fig.	P/n	QTY	Name
------	-----	-----	------

Notes:
 [AgroStar 6.11]

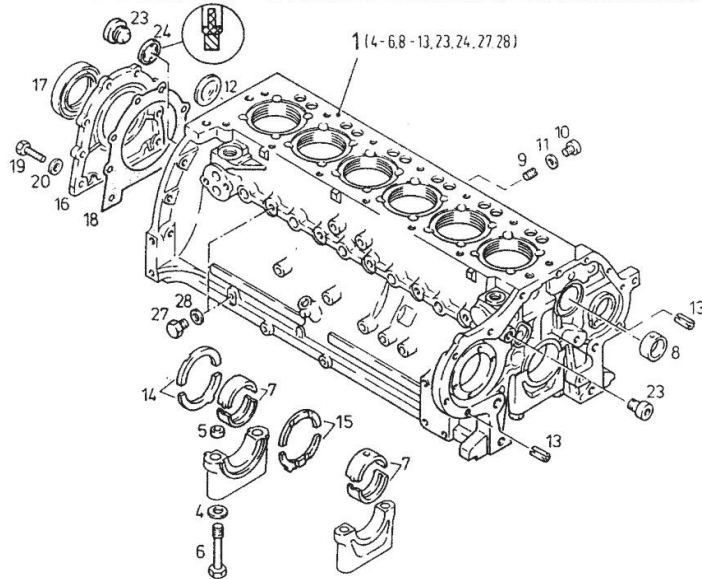
1	04158913	1	crankcase WITH ITEM 4-6,8-13,23,24,27,28,
4	01216107	14	washer 15x23x1,5 H 002308-15 X23X1,5
5	04160764	4	bushing
6	04156058	14	screw
7	03362379	7	bearing NORMAL ..(1).MM RD, FOR UNDERSIZED PART SEE ITEM.2 REPAIR BEARING FOR INSIDE AND OUTSIDE SEE ITEM(3) 1) 70,00 2) 950-955 3) 964
8	04156548	1	bushing
9	01215235	7	plug
10	01110422	6	screw DIN 000908-M12X1,5-ST
11	01118673	6	oil seal DIN 007603-A 12 X 15,5-CU
12	01216240	1	disc
13	01167266	2	bush H 002341-B11X16
14	02230181	1	shim NORMAL (A) MM RD, FOR OVERSIZED PART SEE POS (B) A=3,00 MM B=956-959
15	02230170	1	shim NORMAL (A)MM, OVERDIMENSION LEVEL SEE ITEM (B) A=3,00 B=960-963
16	02234870	1	cover
17	04230392	1	special oil seal
18	03362337	1	gasket
19	01112322	8	screw m 8 p.1.25 x 20 ISO 004017-M 8 X 20 - 8.8-A4C
20	01107101	8	washer 8.4 DIN 000125-A 8,4-140HV-A4C



Kurbelgehäuse
 Crankcase
 Carter
 Câter

0150-01-0506 3554

2



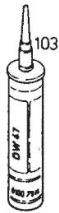
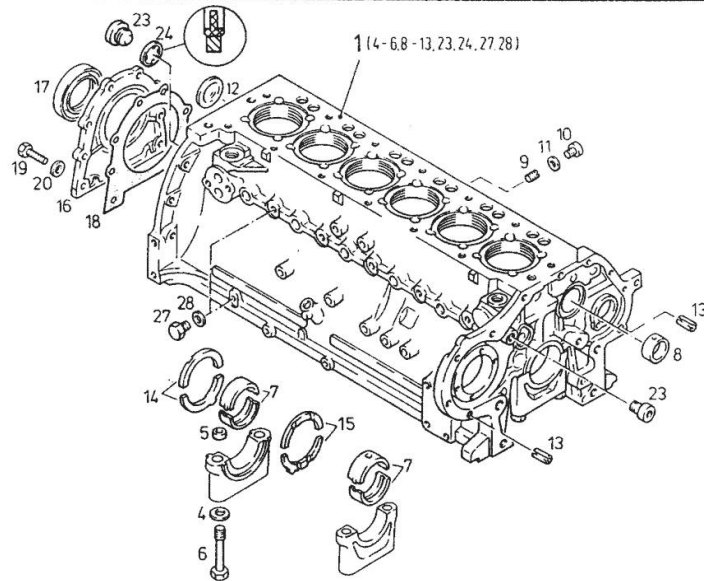
Section: ENGINE
CRANK CASE

Fig.	P/n	QTY	Name
23	04159934	2	screw
24	04159935	1	oil seal
27	01118998	5	screw DIN 007604-CM10X1 -ST-A4C
28	01118659	5	oil seal DIN 007603-A 10 X 13,5-CU
103	01016120	1	compound 1 kg H 000699-DEUTZ DW 47- 310 ML
950	03362380	7	bearing 1ST UNDERSIZE 69,75 MM
951	03362381	7	bearing 2ND UNDERSIZE 69,50 MM
952	03362382	7	bearing 3RD UNDERSIZE 69,25 MM
953	03362383	7	bearing 4TH UNDERSIZE 69,00 MM
954	03362384	7	bearing 5TH UNDERSIZE 68,75 MM
955	03362385	7	bearing 6TH UNDERSIZE 68,50 MM
956	02230182	1	shim 1ST OVERSIZE 3,25 MM
957	02230183	1	shim 2ND OVERSIZE 3,50 MM
958	02230184	1	shim 3RD OVERSIZE 3,75 MM
959	02230185	1	shim 4TH OVERSIZE 4,00 MM
960	02230172	1	shim 1ST OVERSIZE 3,25 MM
961	02230173	1	shim 2ND OVERSIZE 3,50 MM



Kurbelgehäuse
 Crankcase
 Carter
 Câter

0150-01-0506 3554



Section: ENGINE
CRANK CASE

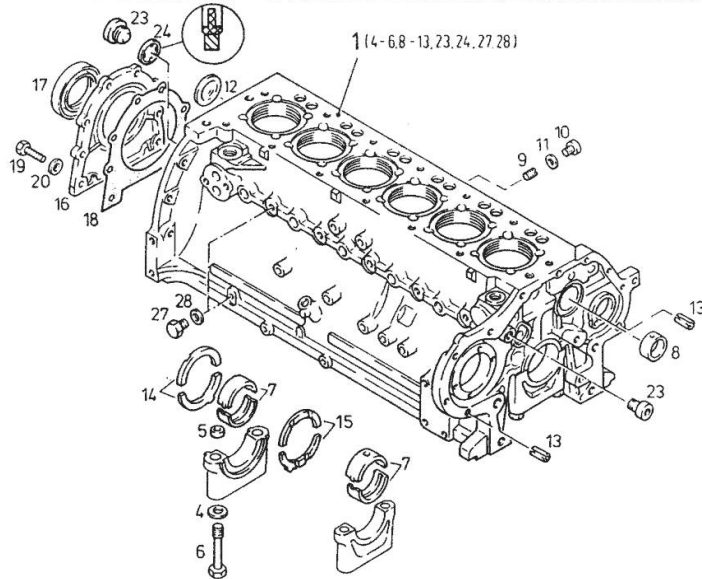
Fig.	P/n	QTY	Name
962	02230174	1	shim 3RD OVERSIZE 3,75 MM
963	02230175	1	shim 4TH OVERSIZE 4,00 MM
964	02233347	7	bearing FOR INSIDE...(1)...MM FOR OUTSIDE...(2)...MM 1) 69,75 MM 2) 75,50 MM



Kurbelgehäuse
 Crankcase
 Carter
 Câter

0150-01-0506 3554

2



Section: ENGINE
ACCESSORIES

Fig.	P/n	QTY	Name
------	-----	-----	------

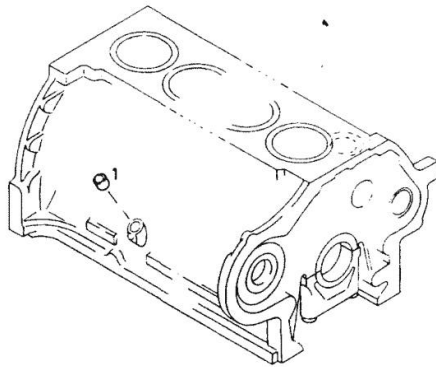
Notes:
 [AgroStar 6.11]

1	01167269	1	bush H 002341-B13X14
---	----------	---	-------------------------



Anbauteile
 Attachments
 Accessoires
 Partes de adosamiento

0150-01-504 2878



Section: ENGINE

BLANKING PARTS

Fig.	P/n	QTY	Name
------	-----	-----	------

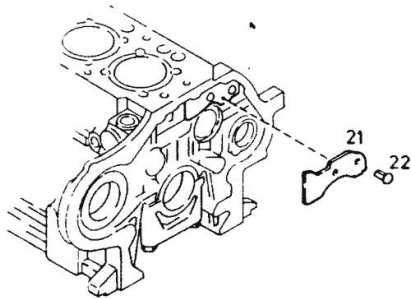
Notes:
[AgroStar 6.11]

21	02231082	1	plate UP TO MOTOR NO. (A) FROM ENGINE NO. SEE ITEM (B)
22	01115333	2	self tapping screw ISO 008746- 6 X10-ST -A4C
950	04156862	1	plate UP TO MOTOR NO. (A) FROM ENGINE NO. SEE ITEM (B)



Verschlußteile
Locking parts
Pieces de fermeture
Partes de cierre

0150—01—504 2845



Section: ENGINE

IDLER BEARING

Fig.	P/n	QTY	Name
------	-----	-----	------

Notes:

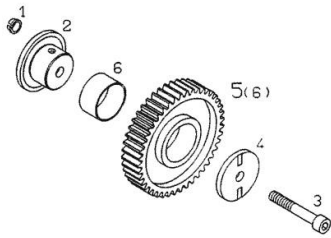
[AgroStar 6.11]

1	04156283	1	bush
2	04156285	1	journal
3	02234177	1	screw
4	04154593	1	washer
5	04154591	1	gear wheel WITH ITEM 6,
6	04154590	1	bushing



ZWISCHENRAUHLAGERUNG
- IDLER GEAR BEARING
TOURILLON DE PIGNON INTERMEDIAIRE
SOPORTE PARA RUEDA INTERMEDIA

0150 -01- 0506 4563



Section: ENGINE

FRONT COVER

Fig.	P/n	QTY	Name
------	-----	-----	------

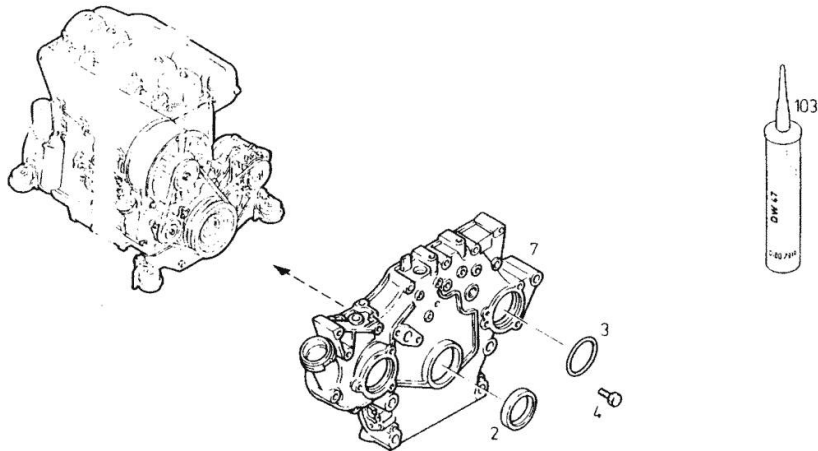
Notes:
[AgroStar 6.11]

2	04154144	1	special oil seal
3	01180084	1	oil seal H 002927- 82 X 3,15K -MVQ-1-5 0
4	01102396	1	screw ISO 004017-M 8 X 8 - 8.8-A4C
7	04158754	1	cover
103	01016120	1	compound 1 kg H 000699-DEUTZ DW 47- 310 ML



Vorderer Deckel
Front cover
Couvercle avant
Tapa delantera

0150 -01 -0506 3546



Section: ENGINE
FASTENINGS

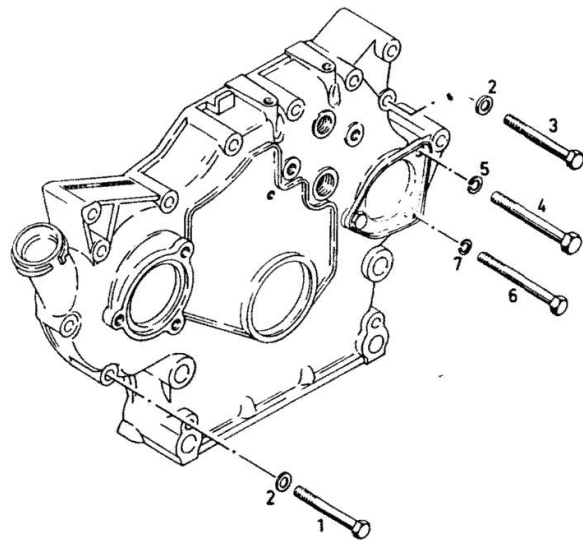
Fig.	P/n	QTY	Name
Notes: [AgroStar 6.11]			
1	01127046	1	screw m 8 x 60 ISO 004017-M 8 X 60 - 8.8-A4C
2	01107101	3	washer 8.4 DIN 000125-A 8,4-140HV-A4C
3	01111179	2	screw m 8 x 70, d931 ISO 004014- M 8 X 70 - 8.8-A4 C
4	01111336	1	screw m 10 x 75 DIN 000931- M10 X 75 - 8.8-A4 C
5	01102800	1	washer 10.2 DIN 000128-A 10 -FST -A4C
6	01122399	1	screw ISO 004014- M 8 X 85 - 8.8-A4 C
7	01102799	1	washer 8, d128 DIN 000128-A 8 -FST -A4C



Befestigungsteile
 Fastening parts
 Pièces de fixation
 Partes de fijación



0150-01-500 6842



Section: ENGINE

BLANKING PARTS

Fig.	P/n	QTY	Name
------	-----	-----	------

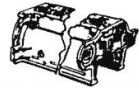
Notes:

[AgroStar 6.11]

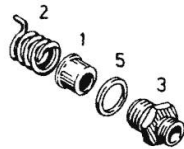
1	02135019	1	tube
2	02237638	1	spring
3	02234350	1	vent
5	01118750	1	oil seal DIN 007603-A 24 X 30 -AL



Verschlusssteile
Locking parts
Pièces de fermeture
Partes de cierre



0150-01-503 0825



SEALING COVER FOR INJECTION TIMING GEAR

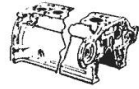
Fig.	P/n	QTY	Name
------	-----	-----	------

Notes:
[AgroStar 6.11]

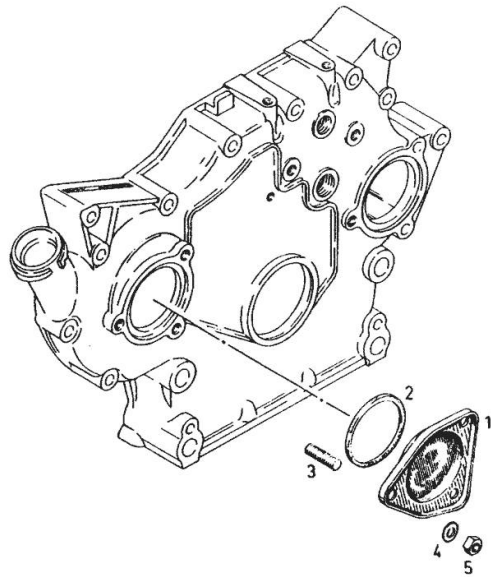
1	04152404	1	cover
2	01166110	1	ring H 002927- 80 X 3 -NBR-1-60
3	01178540	3	screw H 002091- 835-M 8 X 16- 8.8-A 4C-MK-1,5D-BL
4	01216143	3	ring
5	01112824	3	nut m 8, d934 ISO 004032-M 8 - 8-A4C



Verschlußdeckel für Spritzversteller
Cover for advance/retard unit
Couvercle pour avance automatique
Tapa de cierre para graduador de avance de inyección



0150-01-500 3331



Section: ENGINE

INJECTION NOZZLE PIECE/CYL.- UNIT

Fig.	P/n	QTY	Name
------	-----	-----	------

Notes:
[AgroStar 6.11]

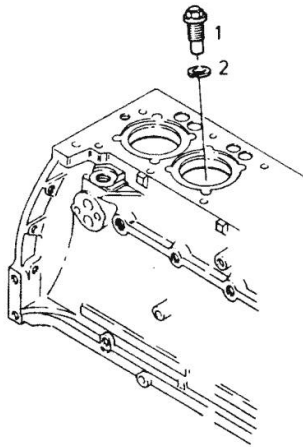
1	02239584	3	nozzle
2	01119611	3	ring DIN 007980- 8-FST-A4C



Sptzdüse
Spray nozzle
Pulversateur
Tobera de dispersión

Stück / Zyl. - Einheit
Pieces / cyl. unit
Qté / cylindre
Cantid. / unid. cilind.

0150 - 01 - 5037660



Thank you so much for reading.
Please click the “Buy Now!”
button below to download the
complete manual.



After you pay.

You can download the most
perfect and complete manual in
the world immediately.

Our support email:

ebooklibonline@outlook.com