

Section: ENGINE
CRANK CASE

Fig.	P/n	QTY	Name
------	-----	-----	------

Notes:
 [AgroStar 6.61]

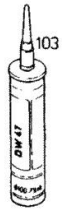
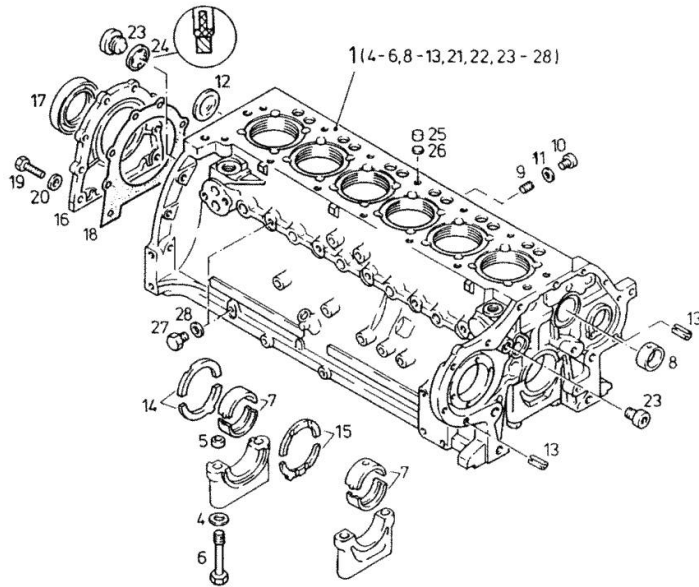
1	04158915	1	crankcase
2	04156266	1	cover
3	04156265	6	cover
4	01216107	14	washer 15x23x1,5 H 002308-15 X23X1,5
5	04160764	14	bushing
6	04156058	14	screw
7	02230609	7	bearing NORMAL ..(1).MM RD, FOR UNDERSIZED PART SEE ITEM.2 REPAIR BEARING FOR INSIDE AND OUTSIDE SEE ITEM(3) 1 =75,00 2 = 950-955 3 = 964
8	04156548	1	bushing
9	01215235	2	plug
10	01110422	7	screw DIN 000908-M12X1,5-ST
11	01118673	7	oil seal DIN 007603-A 12 X 15,5-CU
12	01216240	1	disc
13	01167266	2	bush H 002341-B11X16
14	02230196	1	shim NORMAL (A)MM, OVERDIMENSION LEVEL SEE ITEM (B) A =3,00 B =956-959
15	02230201	1	shim NORMAL (A)MM, OVERDIMENSION LEVEL SEE ITEM (B) A =3,00 B = 960-963
16	02234870	1	cover
17	04230392	1	special oil seal
18	03362337	1	gasket
19	01112322	8	screw m 8 p.1.25 x 20 ISO 004017-M 8 X 20 - 8.8-A4C
20	01107101	8	washer 8.4 DIN 000125-A 8,4-140HV-A4C



Kurbelgehäuse
 Crankcase
 Carter
 Carter

0150-01-0506 3602

1



Section: ENGINE
CRANK CASE

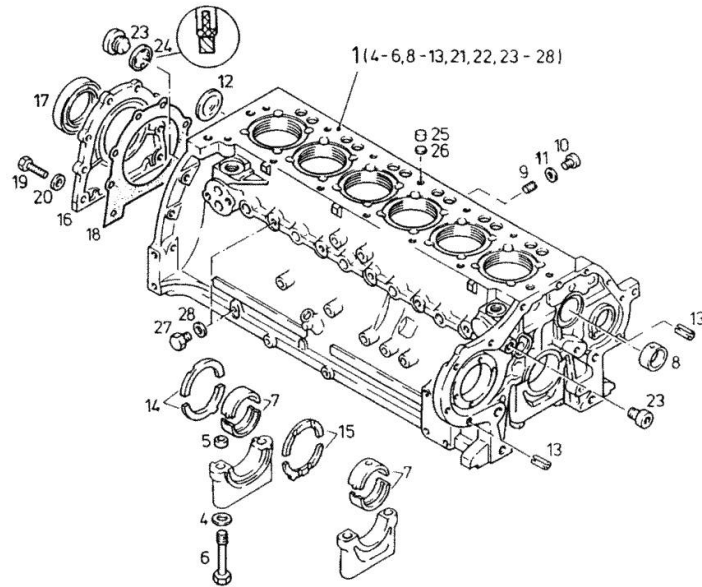
Fig.	P/n	QTY	Name
23	04159934	2	screw
24	04159935	1	oil seal
25	01170580	5	plug H 002855-A 8X 8
26	01167010	5	washer H 000984- 7,5X 1 -ST
27	01118998	5	screw DIN 007604-CM10X1 -ST-A4C
28	01118659	5	oil seal DIN 007603-A 10 X 13,5-CU
31	04150833	5	spool valve
103	01016120	1	compound 1 kg H 000699-DEUTZ DW 47- 310 ML
950	02235189	7	bearing 1ST UNDERSIZE 74,75 MM RD
951	02235192	7	bearing 2ND UNDERSIZE 74,50 MM RD
952	02235194	7	bearing 3RD UNDERSIZE 74,25 MM RD
953	02235196	7	bearing 4TH UNDERSIZE 74,00 MM RD
954	02235198	7	bearing 5TH UNDERSIZE 73,75 MM RD
955	02235200	7	bearing 6TH UNDERSIZE 73,50 MM RD
956	02230197	1	shim 1ST OVERSIZE 3,25 MM
957	02230198	1	shim 2ND OVERSIZE 3,50 MM
958	02230199	1	shim 3RD OVERSIZE 3,75 MM
959	02230200	1	shim 4TH OVERSIZE 4,00 MM
960	02230202	1	shim



Kurbelgehäuse
 Crankcase
 Carter
 Carter

0150-01-0506 3602

1



Section: ENGINE
CRANK CASE

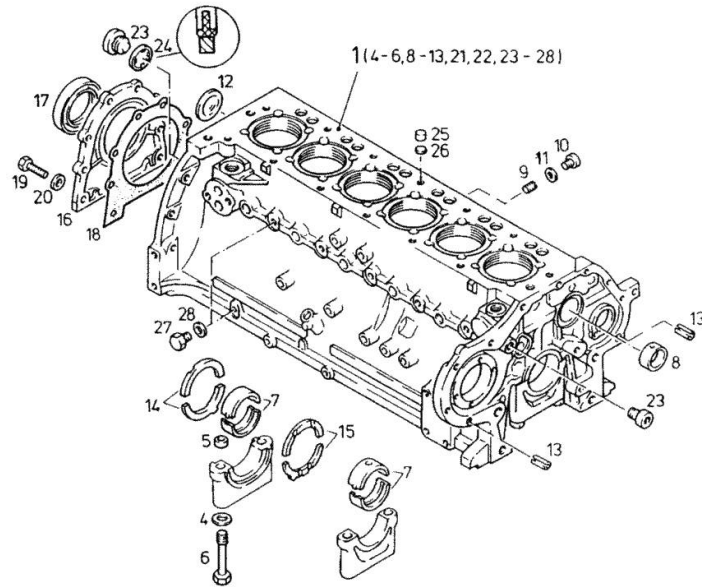
Fig.	P/n	QTY	Name
			1ST OVERSIZE 3,25 MM
961	02230203	1	shim
			2ND OVERSIZE 3,50 MM
962	02230204	1	shim
			3RD OVERSIZE 3,75 MM
963	02230205	1	shim
			4TH OVERSIZE 4,00 MM
964	02235240	7	bearing FOR INSIDE...(1)...MM FOR OUTSIDE...(2)...MM 1 =74,75 2 =79,50



Kurbelgehäuse
 Crankcase
 Carter
 Carter

0150-01-0506 3602

1



Section: ENGINE

BLANKING PARTS

Fig.	P/n	QTY	Name
------	-----	-----	------

Notes:

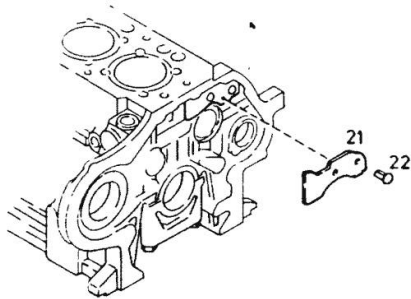
[AgroStar 6.61]

21	02231082	1	plate UP TO MOTOR NO. (A) FROM ENGINE NO. SEE ITEM (B)
22	01115333	2	self tapping screw ISO 008746- 6 X10-ST -A4C
950	04156862	1	plate UP TO MOTOR NO. (A) FROM ENGINE NO. SEE ITEM (B)




Verschlußteile
Locking parts
Pieces de fermeture
Partes de cierre

0150—01—504 2845

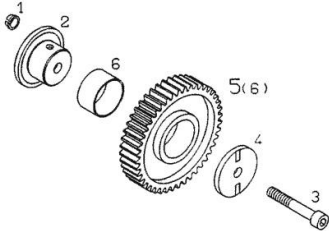


Section: ENGINE
IDLER BEARING

Fig.	P/n	QTY	Name
Notes: [AgroStar 6.61]			
1	04156283	1	bush
2	04156285	1	journal
3	02234177	1	screw
4	04154593	1	washer
5	04154591	1	gear wheel WITH ITEM
6	04154590	1	6, bushing

 ZWISCHENRAUHLAGERUNG
- IDLER GEAR BEARING
TOURILLON DE PIGNON INTERMEDIAIRE
SOPORTE PARA RUEDA INTERMEDIA

0150 -01- 0506 4563



Section: ENGINE
FRONT COVER

Fig.	P/n	QTY	Name
------	-----	-----	------

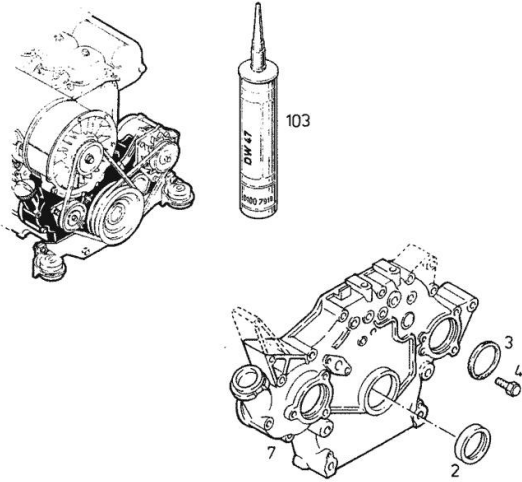
Notes:
[AgroStar 6.61]

2	04154144	1	special oil seal
3	01180084	1	oil seal H 002927- 82 X 3,15K -MVQ-1-5 0
4	01102396	1	screw ISO 004017-M 8 X 8 - 8.8-A4C
7	04158431	1	cover
103	01016120	1	compound 1 kg H 000699-DEUTZ DW 47- 310 ML



Vorderer Deckel
Front cover
Couvercle avant
Tapa delantera

0150-01-0506 3798



Section: ENGINE

FASTENINGS

Fig.	P/n	QTY	Name
------	-----	-----	------

Notes:
[AgroStar 6.61]

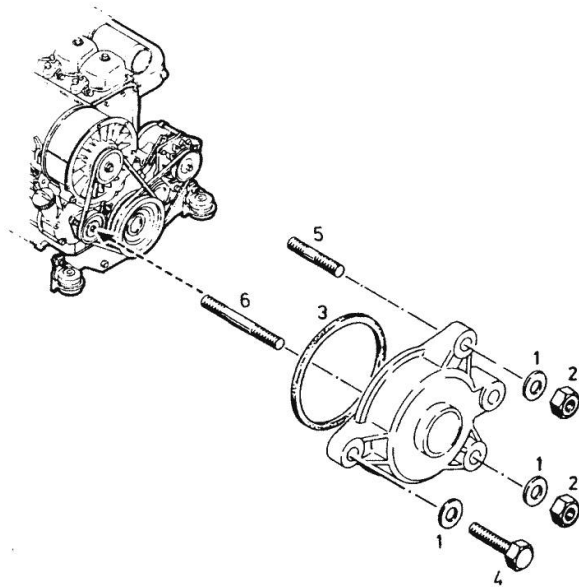
1	01216108	3	washer
2	01112824	2	nut m 8, d934 ISO 004032-M 8 - 8-A4C
3	01179670	1	oil seal H 002927- 78 X 3 -MVQ-1-50
4	01174194	1	screw H 002091- 933-M 8 X 30- 8.8-A 4C-MK-2D-BL
5	01174191	1	screw m 8 x 25 H 002091- 835-M 8 X 25- 8.8-A 4C-MK-2D-BL
6	01174192	1	screw H 002091- 835-M 8 X 40- 8.8-A 4C-MK-2D-BL



Befestigungsteile
Fastening parts
Pièces de fixation
Partes de fijación



0150-01-503 4247



Section: ENGINE

FIXING PARTS FOR FRONT COVER

Fig.	P/n	QTY	Name
------	-----	-----	------

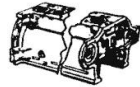
Notes:

[AgroStar 6.61]

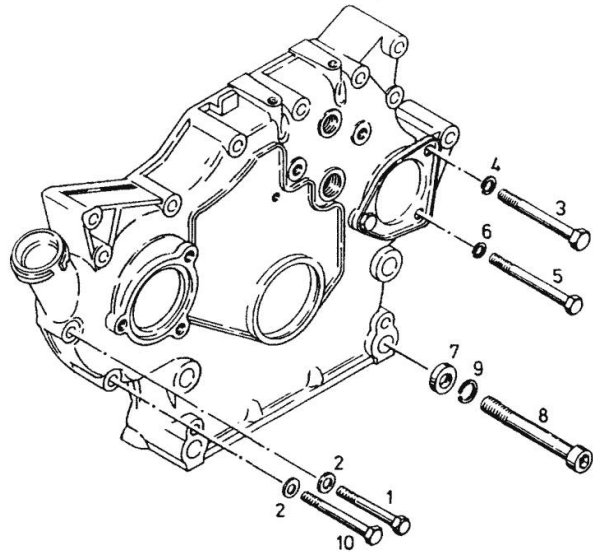
1	01127046	1	screw m 8 x 60 ISO 004017-M 8 X 60 - 8.8-A4C
2	01107101	3	washer 8.4 DIN 000125-A 8,4-140HV-A4C
3	01111336	1	screw m 10 x 75 DIN 000931- M10 X 75 - 8.8-A4 C
4	01102800	1	washer 10.2 DIN 000128-A 10 -FST -A4C
5	01122399	1	screw ISO 004014- M 8 X 85 - 8.8-A4 C
6	01102799	1	washer 8, d128 DIN 000128-A 8 -FST -A4C
7	01107556	16	washer DIN 000433-15 -140HV-A4C
8	01102281	4	screw m14x100 d912 DIN 000912- M14 X100 - 8.8-A4 C
9	01127679	4	spring washer DIN 007980-14-FST-A4C
10	01111179	1	screw m 8 x 70, d931 ISO 004014- M 8 X 70 - 8.8-A4 C



Befestigungsteile zum vorderen Deckel
Fastening parts for front cover
Pièces de fixation pour couvercle avant
Partes de fijación para tapa delantera

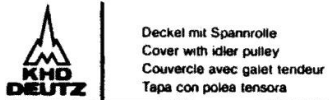


0150-01-500 3339



Section: ENGINE

COVER WITH TENSION ROLLER



0150—01—504 2276

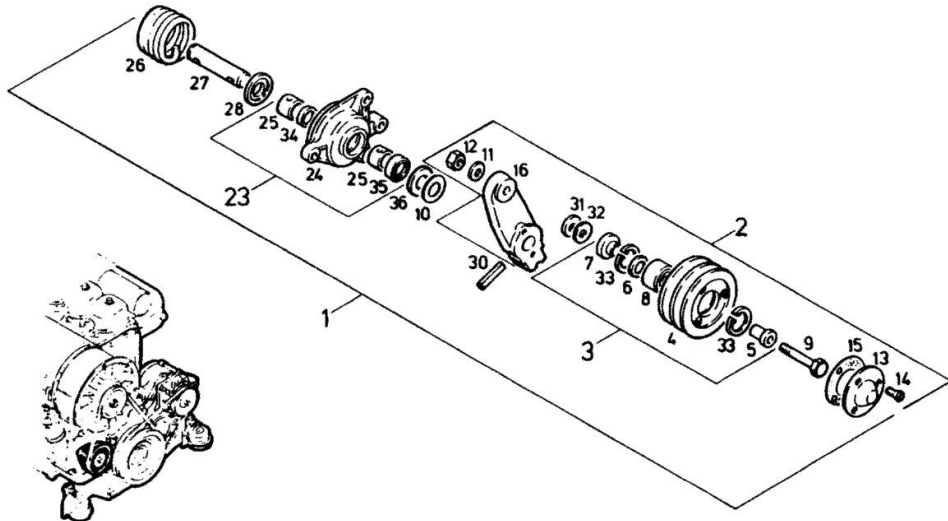


Fig.	P/n	QTY	Name
------	-----	-----	------

Notes:
[AgroStar 6.61]

1	04152514	1	tensioner
2	04152524	1	pulley
3	02237959	1	pulley
4	02237846	1	pulley
5	02237849	1	bush
6	02237850	1	washer
7	02237848	1	ring
8	01171646	1	ball bearing H 004450- 2RK 15X 32 X 15 -2R S
9	01100104	1	screw m 10 x 60 DIN 000933-M10 X 60 - 8.8-A4C
10	04152509	1	shim
11	01107105	1	washer 10.5 DIN 000125-A10,5-140HV-A4C
12	01102659	1	nut m 10, d934 DIN 000934-M10 - 8-A4C
13	02237847	1	cover
14	01136951	3	screw DIN 000965- M 6 X 16 - 4.8 -H -A4C
15	02136434	1	gasket
16	04152532	1	lever
23	04153128	1	cover
24	04153130	1	cover
25	02238022	2	bushing
26	02238021	1	spring
27	02238081	1	shaft
28	02238083	1	washer
30	01115473	1	pin 8 x 40, d1481 ISO 008752- 8 X 40
31	01216123	3	washer
32	01216095	2	washer
33	01107818	2	ring DIN 000472- 32X1,2
34	02238084	1	bushing
35	04158766	1	oil seal
36	04152517	1	shim

Section: ENGINE

BLANKING PARTS

Fig.	P/n	QTY	Name
------	-----	-----	------

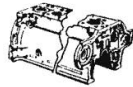
Notes:

[AgroStar 6.61]

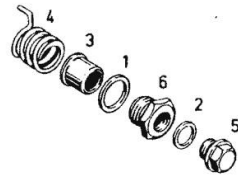
1	01118750	1	oil seal DIN 007603-A 24 X 30 -AL
2	01118713	1	washer 18.5 DIN 007603-A 18 X 22 -CU
3	02135019	1	tube
4	02237638	1	spring
5	01118970	1	plug m 18 p.1.5 DIN 007604-AM18X1,5 -ST-ZNPHR F
6	02230937	1	screw



Verschlussteile
Locking parts
Pièces de fermeture
Partes de cierre



0150-01-501 6321



Section: ENGINE

INJECTION NOZZLE PIECE/CYL.- UNIT

Fig.	P/n	QTY	Name
------	-----	-----	------

Notes:

[AgroStar 6.61]

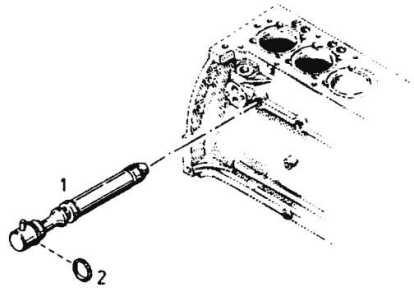
1	02239591	1	nozzle
2	01173838	1	oil seal H 002927- 9 X 1,5 -FPM-1-70
950	01001202	1	gasket H 000699-DEUTZ DW 49- 1 KG



Spritzdüse
Spray nozzle
Pulversateur
Tobera de dispersión

Stück / Zyl.- Einheit
Pieces / cyl. unit
Qté / cylindre
Cantid. / unid. cilind.

0150—01—503 7653



Thank you so much for reading.
Please click the “Buy Now!”
button below to download the
complete manual.



After you pay.

You can download the most
perfect and complete manual in
the world immediately.

Our support email:

ebooklibonline@outlook.com