

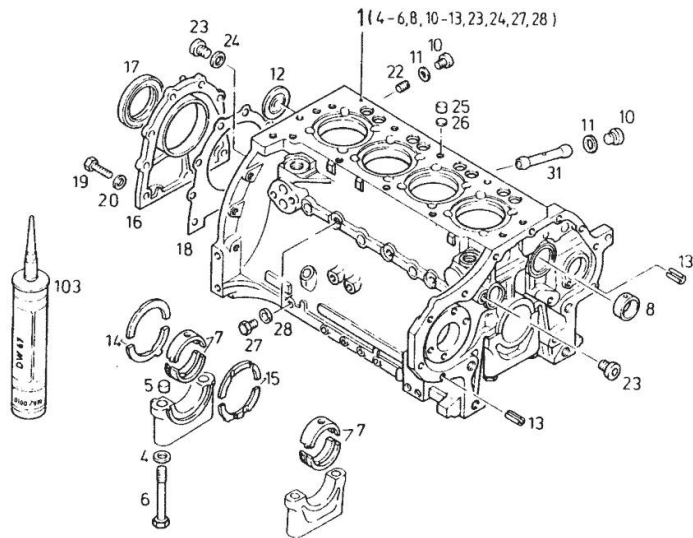
Section: ENGINE  
**CRANK CASE**

Fig.	P/n	QTY	Name
<b>Notes:</b> [AgroStar Freisicht 4.78]			
1	04158917	1	crankcase WITH ITEM .... 2-6,8-13,23-28,31
4	01216107	10	washer 15x23x1,5 H 002308-15 X23X1,5
5	04160764	10	bushing
6	04156058	10	screw
7	02230609	5	bearing NORMAL ..(1).MM RD, FOR UNDERSIZED PART SEE ITEM.2 REPAIR BEARING FOR INSIDE AND OUTSIDE SEE ITEM(3) 1 =75,00 2 =950-955 3 =964
8	04156548	1	bushing
10	01110422	5	screw DIN 000908-M12X1,5-ST
11	01118673	5	oil seal DIN 007603-A 12 X 15,5-CU
12	01216240	1	disc
13	01167266	2	bush H 002341-B11X16
14	02230196	1	shim NORMAL (A)MM, OVERDIMENSION LEVEL SEE ITEM (B) A= 3,00 B= 956-959
15	02230201	1	shim NORMAL (A)MM, OVERDIMENSION LEVEL SEE ITEM (B) A= 3,00 B= 960-963
16	02234870	1	cover
17	04230392	1	special oil seal
18	03362337	1	gasket
19	01112322	8	screw m 8 p.1.25 x 20 ISO 004017-M 8 X 20 - 8.8-A4C
20	01107101	8	washer 8.4 DIN 000125-A 8,4-140HV-A4C
22	01215235	2	plug



Kurbelgehäuse  
 Crankcase  
 Carter  
 Cárter

0150 - 01 - 0506 3634



Section: ENGINE

**CRANK CASE**



Kurbelgehäuse  
Crankcase  
Carter  
Cárter

.0150 - 01 - 0506 3634

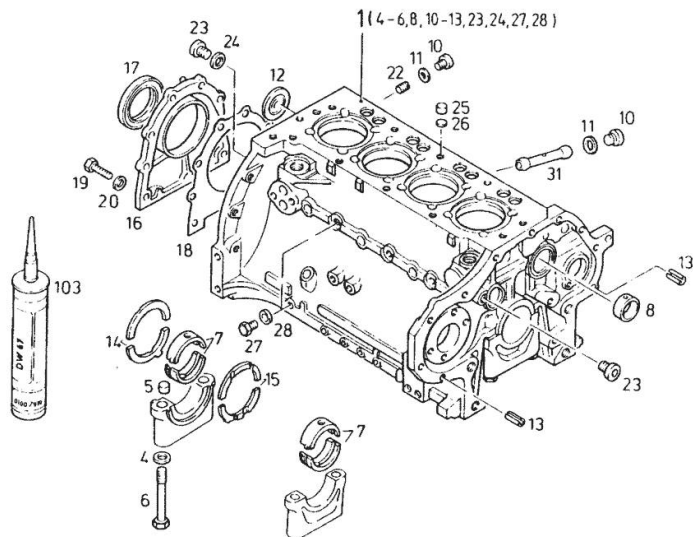


Fig.	P/n	QTY	Name
23	04159934	2	screw
24	04159935	1	oil seal
25	01170580	3	plug H 002855-A 8X 8
26	01167010	3	washer H 000984- 7,5X 1 -ST
27	01118998	3	screw DIN 007604-CM10X1 -ST-A4C
28	01118659	3	oil seal DIN 007603-A 10 X 13,5-CU
31	04150833	3	spool valve
103	01016120	3	compound 1 kg H 000699-DEUTZ DW 47- 310 ML
950	02235189	5	bearing 1ST UNDERSIZE 74,75 MM RD
951	02235192	5	bearing 2ND UNDERSIZE 74,50 MM RD
952	02235194	5	bearing 3RD UNDERSIZE 74,25 MM RD
953	02235196	5	bearing 4TH UNDERSIZE 74,00 MM RD
954	02235198	5	bearing 5TH UNDERSIZE 73,75 MM RD
955	02235200	5	bearing 6TH UNDERSIZE 73,50 MM RD
956	02230197	1	shim 1ST OVERSIZE 3,25 MM
957	02230198	1	shim 2ND OVERSIZE 3,50 MM
958	02230199	1	shim 3RD OVERSIZE 3,75 MM
959	02230200	1	shim 4TH OVERSIZE 4,00 MM
960	02230202	1	shim

Section: ENGINE

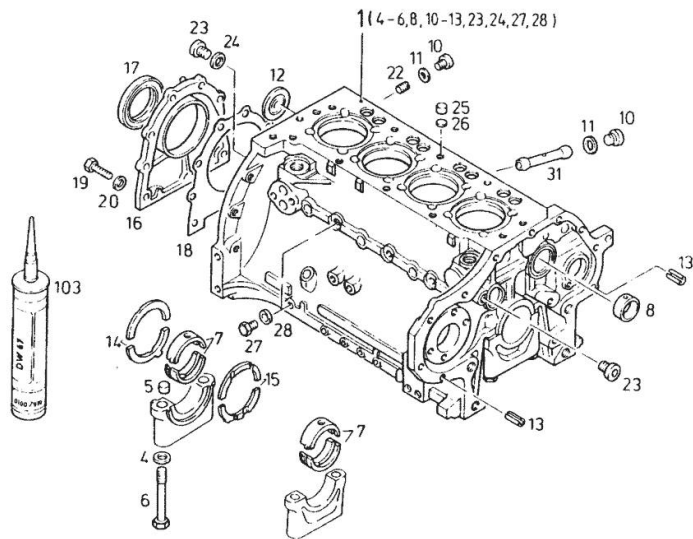
**CRANK CASE**

Fig.	P/n	QTY	Name
			1ST OVERSIZE 3,25 MM
961	02230203	1	shim
			2ND OVERSIZE 3,50 MM
962	02230204	1	shim
			3RD OVERSIZE 3,75 MM
963	02230205	1	shim
			4TH OVERSIZE 4,00 MM
964	02235240	5	bearing FOR INSIDE...(1)...MM FOR OUTSIDE...(2)...MM 1 =74,75 2 =79,50



Kurbelgehäuse  
Crankcase  
Carter  
Cárter

.0150 - 01 - 0506 3634



Section: ENGINE  
**ACCESSORIES**

Fig.	P/n	QTY	Name
------	-----	-----	------

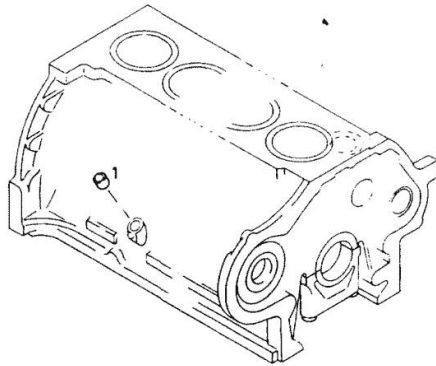
Notes:  
 [AgroStar Freisicht 4.78]

1	01167269	1	bush H 002341-B13X14
---	----------	---	-------------------------



Anbauteile  
 Attachments  
 Accessoires  
 Partes de adosamiento

0150-01-504 2878



Section: ENGINE

**BLANKING PARTS**

Fig.	P/n	QTY	Name
------	-----	-----	------

**Notes:**

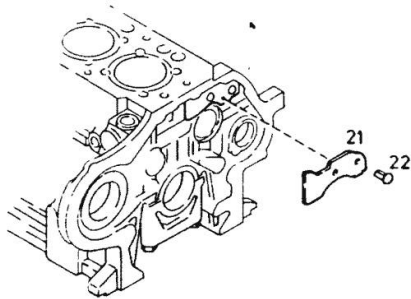
[AgroStar Freisicht 4.78]

21	02231082	1	plate UP TO MOTOR NO. (A) FROM ENGINE NO. SEE ITEM (B)
22	01115333	2	self tapping screw ISO 008746- 6 X10-ST -A4C
950	04156862	1	plate UP TO MOTOR NO. (A) FROM ENGINE NO. SEE ITEM (B)



Verschlußteile  
Locking parts  
Pieces de fermeture  
Partes de cierre

0150—01—504 2845



Section: ENGINE

**IDLER BEARING**

Fig.	P/n	QTY	Name
------	-----	-----	------

**Notes:**

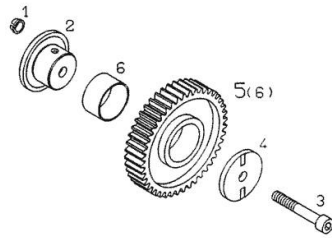
[AgroStar Freisicht 4.78]

1	04156283	1	bush
2	04156285	1	journal
3	02234177	1	screw
4	04154593	1	washer
5	04154591	1	gear wheel WITH ITEM ....
6	04154590	1	6, bushing



ZWISCHENRAUHLAGERUNG  
- IDLER GEAR BEARING  
TOURILLON DE PIGNON INTERMEDIAIRE  
SOPORTE PARA RUEDA INTERMEDIA

0150 -01- 0506 4563



Section: ENGINE

**FRONT COVER**

Fig.	P/n	QTY	Name
------	-----	-----	------

**Notes:**

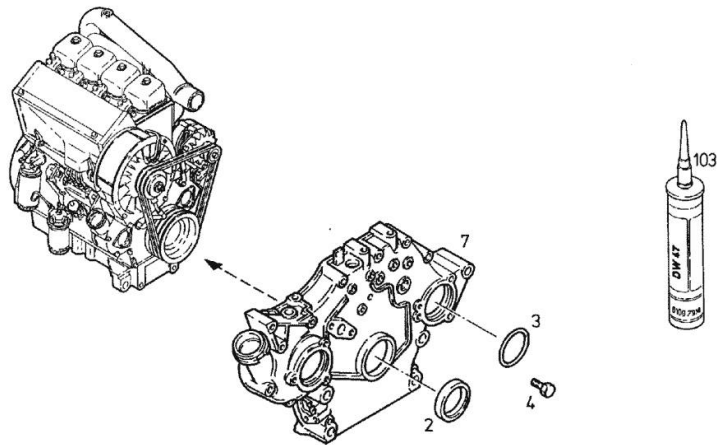
[AgroStar Freisicht 4.78]

2	04154144	1	special oil seal
3	01180084	1	oil seal H 002927- 82 X 3,15K -MVQ-1-5 0
4	01102396	1	screw ISO 004017-M 8 X 8 - 8.8-A4C
7	04158417	1	cover
103	01016120	1	compound 1 kg H 000699-DEUTZ DW 47- 310 ML



Vorderer Deckel  
Front cover  
Couvercle avant  
Tapa delantera

0150-01-0506 4299



Section: ENGINE

**FASTENINGS**

Fig.	P/n	QTY	Name
------	-----	-----	------

**Notes:**

[AgroStar Freisicht 4.78]

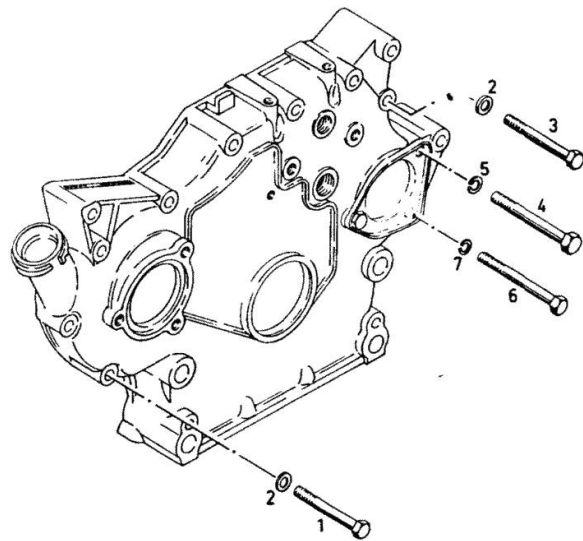
1	01127046	1	screw m 8 x 60 ISO 004017-M 8 X 60 - 8.8-A4C
2	01107101	3	washer 8.4 DIN 000125-A 8,4-140HV-A4C
3	01111179	2	screw m 8 x 70, d931 ISO 004014- M 8 X 70 - 8.8-A4 C
4	01111336	1	screw m 10 x 75 DIN 000931- M10 X 75 - 8.8-A4 C
5	01102800	1	washer 10.2 DIN 000128-A 10 -FST -A4C
6	01122399	1	screw ISO 004014- M 8 X 85 - 8.8-A4 C
7	01102799	1	washer 8, d128 DIN 000128-A 8 -FST -A4C



Befestigungsteile  
Fastening parts  
Pièces de fixation  
Partes de fijación



0150-01-500 6842





Section: ENGINE

**SEALING COVER FOR INJECTION TIMING GEAR**

Fig.	P/n	QTY	Name
------	-----	-----	------

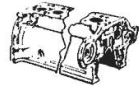
**Notes:**

[AgroStar Freisicht 4.78]

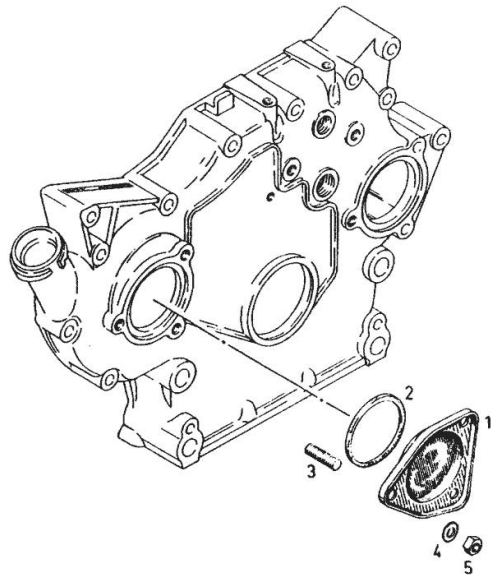
1	04152404	1	cover
2	01166110	1	ring H 002927- 80 X 3 -NBR-1-60
3	01178540	3	screw H 002091- 835-M 8 X 16- 8.8-A 4C-MK-1,5D-BL
4	01216143	3	ring
5	01112824	3	nut m 8, d934 ISO 004032-M 8 - 8-A4C



Verschlußdeckel für Spritzversteller  
Cover for advance/retard unit  
Couvercle pour avance automatique  
Tapa de cierre para graduador de avance de inyección



0150-01-500 3331



Section: ENGINE

**INJECTION NOZZLE PIECE/CYL.- UNIT**

Fig.	P/n	QTY	Name
------	-----	-----	------

**Notes:**

[AgroStar Freisicht 4.78]

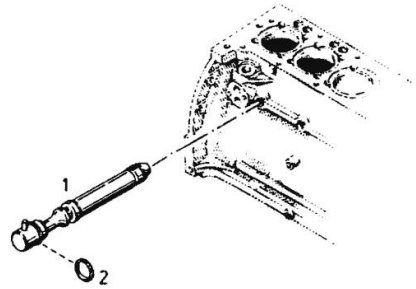
1	02239591	1	nozzle
2	01173838	1	oil seal H 002927- 9 X 1,5 -FPM-1-70
950	01001202	1	gasket H 000699-DEUTZ DW 49- 1 KG



Spritzdüse  
Spray nozzle  
Pulversateur  
Tobera de dispersión

Stück / Zyl.- Einheit  
Pieces / cyl. unit  
Qté / cylindre  
Cantid. / unid. cilind.

0150—01—503 7653



Section: ENGINE

**BREATHER**

Fig.	P/n	QTY	Name
------	-----	-----	------

Notes:

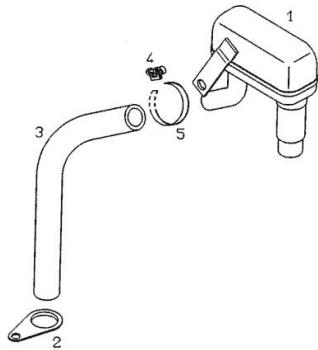
[AgroStar Freisicht 4.78]

1	02238156	1	breather
2	02138266	1	fan
3	01400708	1	flexible hose 19x27x450 H 007760-A19 X27 X 450
4	01179854	1	clamp H 000735-SK 29-1
101	01008383	1	gasket H 000699-DEUTZ DW 47- 75 ML



ENTLUEFTUNG  
BREATHER  
EVENT  
VENTILACION

0150 -01- 0506 4295



Thank you so much for reading.  
Please click the “Buy Now!”  
button below to download the  
complete manual.



After you pay.

You can download the most  
perfect and complete manual in  
the world immediately.

Our support email:

[ebooklibonline@outlook.com](mailto:ebooklibonline@outlook.com)