

Section: ENGINE  
**CRANK CASE**

Fig.	P/n	QTY	Name
------	-----	-----	------

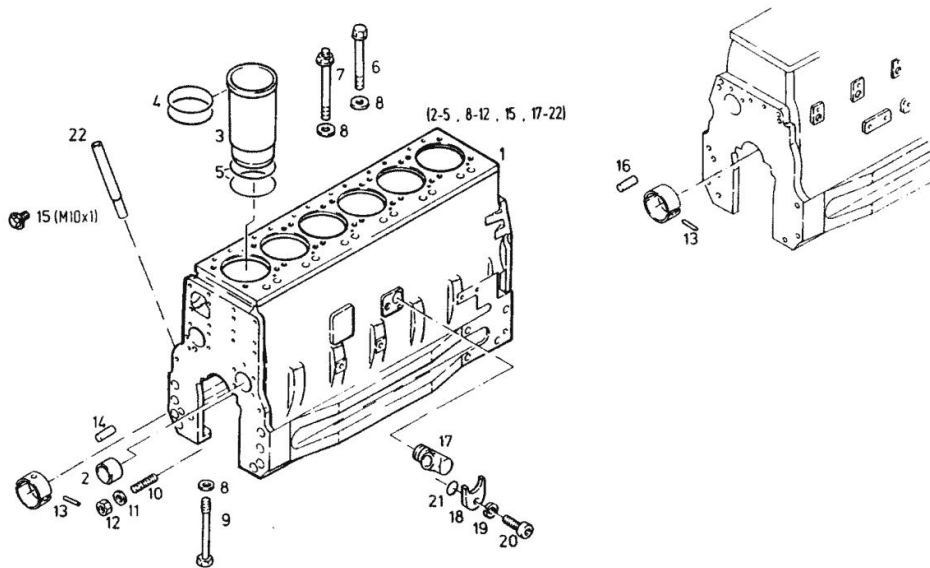
Notes:  
 [AgroStar TG 6.81]

1	12272145	1	crankcase WITH ITEM .... 2-5,8-12,15,17-22)
2	12159599	1	bushing MWM-NR. 6.226.0.432.503.4
3	12270633	6	cooling jacket
4	01153804	12	oil seal H 002927-114 X 1,6 -FPM-1-70
5	01153805	12	oil seal H 002927-116 X 4 -NBR-1-60
6	12200620	19	screw MWM-NR. 6.226.0.350.506.4
7	12200621	5	screw MWM-NR. 6.226.0.350.507.4
8	12165568	38	washer MWM-NR. 6.321.1.340.001.4
9	12164651	14	screw MWM-NR. 6.305.0.350.001.4
10	01152538	1	screw DIN 000939-M 8 X 40 - 8.8-OEL BLACKENED
11	12159468	1	washer MWM-NR. 6.226.0.340.041.4
12	12151228	1	nut MWM-NR. 6.0210.17.1.0800
13	01115413	7	pin ISO 008752- 4 X 8
14	01105156	2	cylindrical plug ISO 002338- 8 M 6X 8
15	01131001	1	screw DIN 000906-M10X1 -ST-A4C
16	01105182	2	cylindrical plug ISO 002338-10 M 6X 28
17	12160117	1	manifold MWM-NR. 6.226.0.952.701.5
18	12160129	1	fan MWM-NR. 6.226.0.972.701.4
19	01177981	1	ring HM 060216.01-VSK 8-VERZINKT G YELLOW
20	01151498	1	screw



Kurbelgehäuse  
 Crankcase  
 Carter d'arbre-manivelles  
 Bloque motor

0119-01-0509 2807



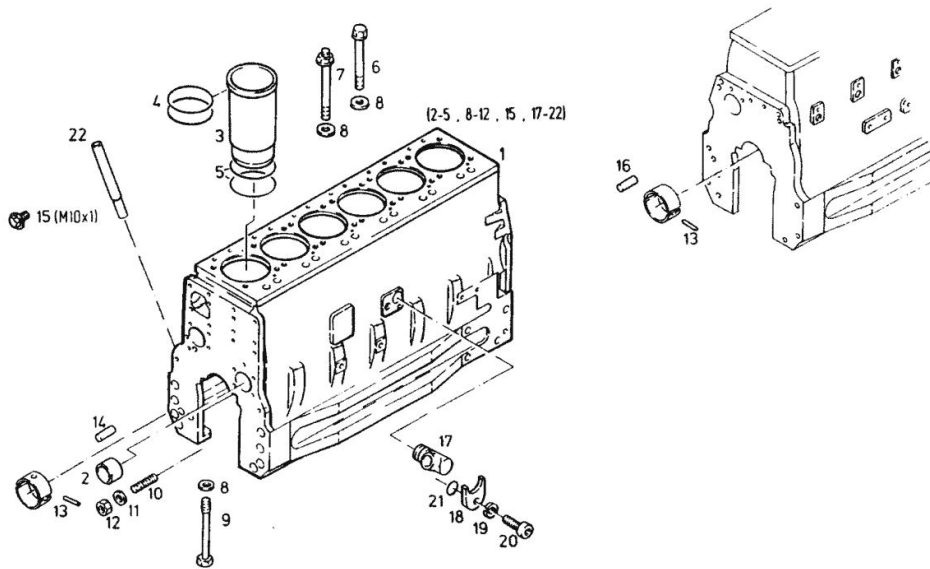
Section: ENGINE  
**CRANK CASE**

Fig.	P/n	QTY	Name
21	01153869	1	DIN 000912- M 8 X 16 -10.9 oil seal
22	12189875	1	H 002927- 20,3 X 2,4 -FPM-1-6 0 tube MWM-NR. 6.226.0.942.511.4



Kurbelgehäuse  
 Crankcase  
 Carter d'arbre-manivelles  
 Bloque motor

0119-01-0509 2807



Section: ENGINE  
**END PANEL COVER**



Stirnwanddeckel  
 Crankc. end cover  
 Plaque d'extremite du carter  
 Tapa pared frontal

0119-01-0509 2840

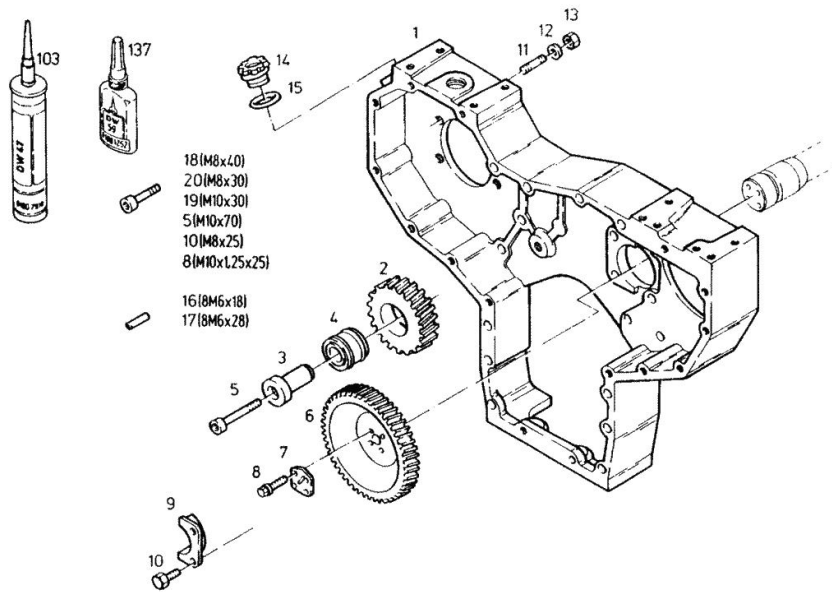


Fig.	P/n	QTY	Name
<b>Notes:</b> [AgroStar TG 6.81]			
1	12270646	1	cover
2	12270587	1	gear wheel
3	12270651	1	bush
4	12151453	1	roller bearing
5	01152833	1	screw MWM-NR. 6.0322.26.8.0003 DIN 000912- M10 X 70 -12.9-OE LGESCHW.
6	12270936	1	gear wheel
7	12189558	1	flange MWM-NR. 6.226.0.950.701.4
8	01139989	4	screw DIN 000912- M10X1,25 X 25 -12 .9
9	12270638	1	locking segment
10	01110571	2	screw DIN 000912- M 8 X 25 -10.9-OE LGESCHW.
11	01113477	4	stud bolt DIN 000939-M10 X 35 - 8.8
12	12166173	4	small disc MWM-NR. 6.324.0.340.036.4
13	01139401	4	nut m10 d934-10 DIN 000934-M10 -10-OELGESCHW.
14	12165572	1	plug
15	06214722	1	ring H 002927- 32 X 4 -NBR-1-70
16	01105156	2	cylindrical plug ISO 002338- 8 M 6X 18
17	01105160	2	cylindrical plug ISO 002338- 8 M 6X 28
18	01110590	6	screw DIN 000912- M 8 X 40 -10.9
19	01139731	3	screw DIN 000912- M10 X 30 -12.9
20	01110578	1	screw m8x30 d912-10 DIN 000912- M 8 X 30 -10.9-OE LGESCHW.
103	01016120		compound 1 kg H 000699-DEUTZ DW 47- 310 ML
137	01016112		adhesive H 699 - DEUTZ DW 59

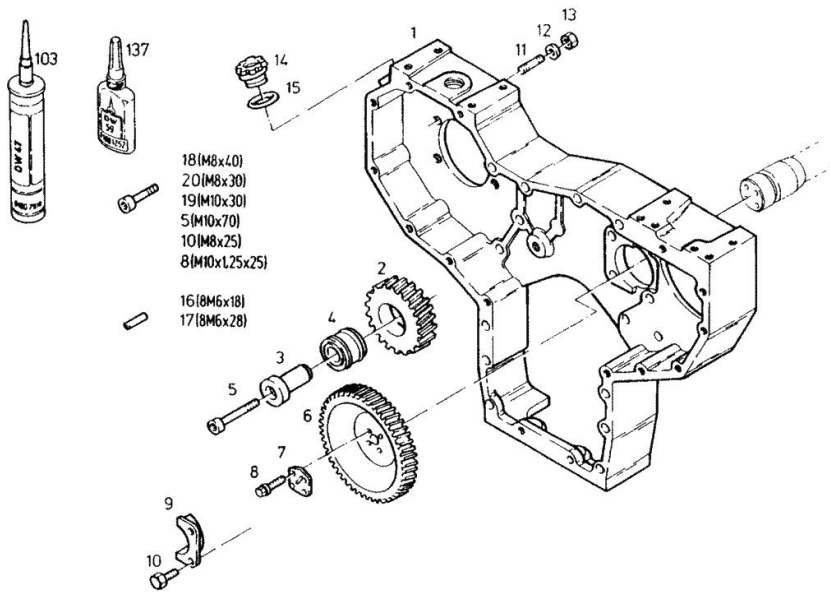
Section: ENGINE  
**END PANEL COVER**

Fig.	P/n	QTY	Name
950	12151053		H 000699-DEUTZ DW 59- 50 ML accelerator



Stirrwanddeckel  
 Crankc. end cover  
 Plaque d'extremite du carter  
 Tapa pared frontal

0119-01-0509 2840



Section: ENGINE

**END PANEL COVER**

Fig.	P/n	QTY	Name
------	-----	-----	------

**Notes:**

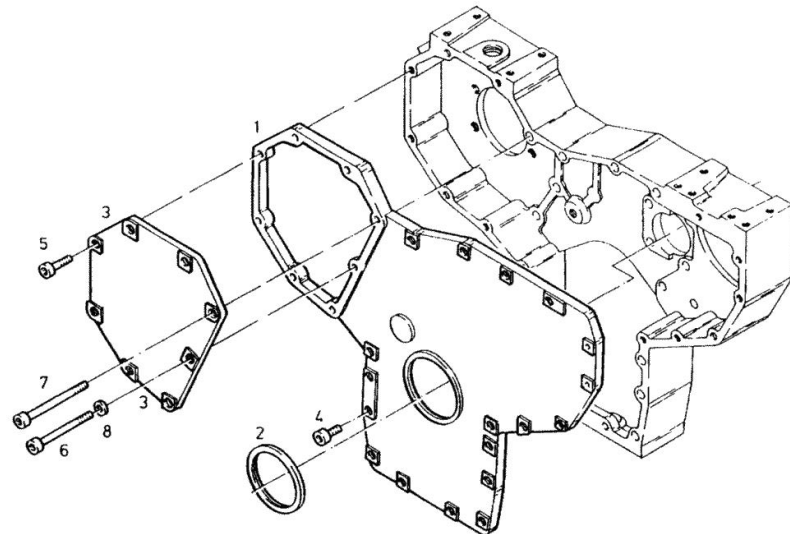
[AgroStar TG 6.81]

1	12270649	1	cover
2	12188100	1	ring MWM-NR. 6.226.0.856.001.4
3	12270650	1	cover
4	01110571	10	screw DIN 000912- M 8 X 25 -10.9-OE LGESCHW.
5	01110584	6	screw DIN 000912- M 8 X 35 -10.9-OE LGESCHW.
6	01152814	9	screw DIN 000912- M 8 X100 -10.9
7	01152816	1	screw DIN 000912- M 8 X110 -10.9
8	01118647	1	oil seal 8x11,5 d7603 DIN 007603-A 8 X 11,5-CU
9	01016120		compound 1 kg H 000699-DEUTZ DW 47- 310 ML



Slirnwanddeckel  
Crankc. end cover  
Plaque d'extremite du carter  
Tapa pared frontal

0119-01-0509 2839



Section: ENGINE

**NOZZLE**

Fig.	P/n	QTY	Name
------	-----	-----	------

**Notes:**

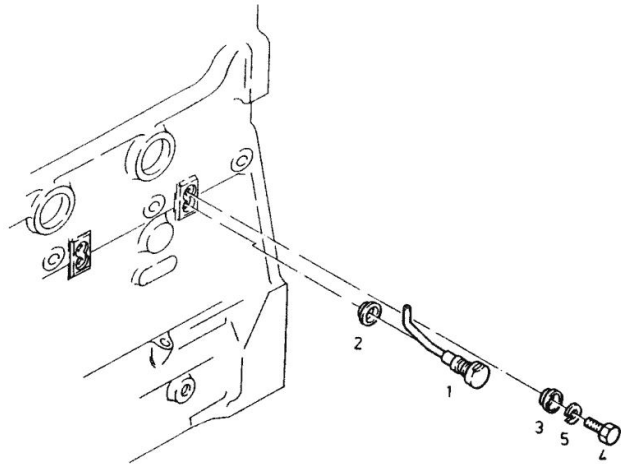
[AgroStar TG 6.81]

1	12191000	1	sprayer nozzle MWM-NR. 6.226.0.465.803.5
2	01166001	1	oil seal H 002927- 14 X 3 -NBR-1-70
3	12164637	1	small disc MWM-NR. 6.305.0.340.010.4
4	01151569	1	screw ISO 004017-M 8 X 16 - 8.8-OEL BLACKENED
5	01177981	1	ring HM 060216.01-VSK 8-VERZINKT G YELLOW



Duse  
Nozzle  
Tuyère  
Tobera

0119-01-0509 2822



Section: ENGINE

**CRANK CASE VENTING**

Fig.	P/n	QTY	Name
------	-----	-----	------

**Notes:**

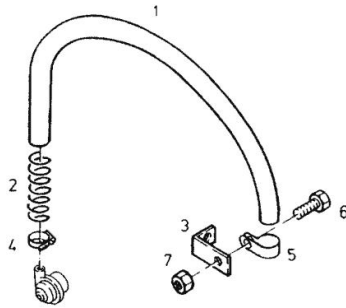
[AgroStar TG 6.81]

1	01396634	1	flexible hose H 007761-A18 X24
2	12270389	1	spring
3	12190757	1	square
4	01137412	1	clamp DIN 003017AL 16- 25 -W1
5	12151702	1	fascia H 003222-A 22 X 20
6	01137083	1	screw ISO 004017-M 8 X 20 - 8.8-GES BLACK
7	01112829	1	nut ISO 004032-M 8 -10



Kurbelgehäuse Entlüftung  
Crankcase breather  
Désaération carter vilebrequin  
Sistema de ventilación del cárter

0119-01-0509 2867



Section: ENGINE  
**CONSOLE**

Fig.	P/n	QTY	Name
------	-----	-----	------

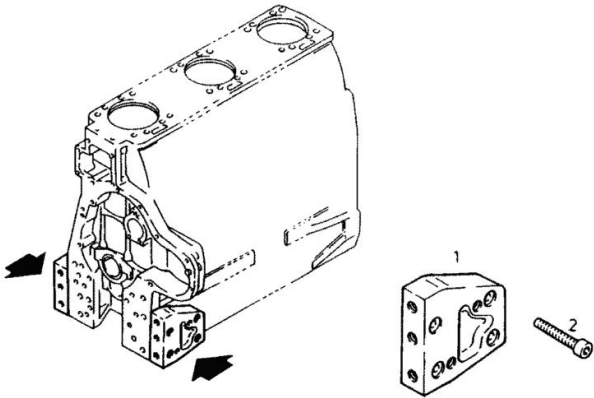
Notes:  
[AgroStar TG 6.81]

1	12272129	1	console
2	01154900	4	screw H 002035-DM16 X 90 -10.9



Konsole  
Bracket  
Console  
Consola

0119-01-0509 2783





Section: ENGINE

**OIL PAN**

Fig.	P/n	QTY	Name
------	-----	-----	------

Notes:

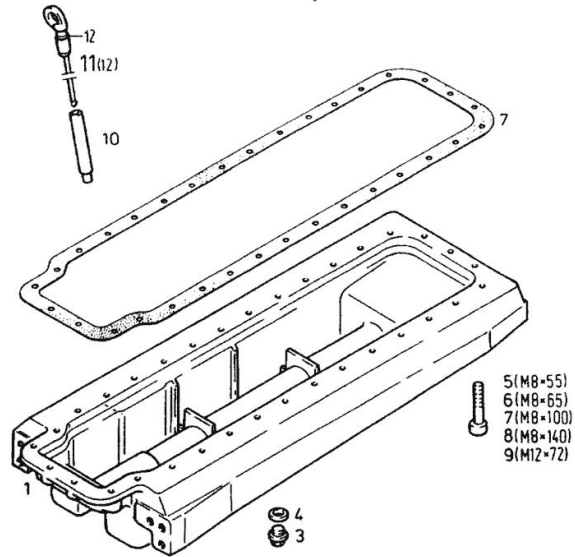
[AgroStar TG 6.81]

1	12270594	1	oil sump
2	12270871	1	gasket
3	01110445	2	screw
4	01124011	2	ring
5	01151504	4	screw
6	01151507	20	screw
7	01152814	2	screw
8	01110638	6	screw
9	01152313	4	screw
10	12189875	1	tube
11	12270444	1	dipstick
			WITH ITEM ....
			12
12	01153856	1	oil seal
			H 002927- 7,3 X 2,4 -FPM-1-60




Ölwanne  
Oil pan  
Carter d'huile  
Sumidero de aceite

0119-02-0509 2782



Section: ENGINE

**CRANKSHAFT**

	Kurbelwelle Crankshaft Vilebrequin Cigüeñal	6.81	0119-05-0509 2808
	2		

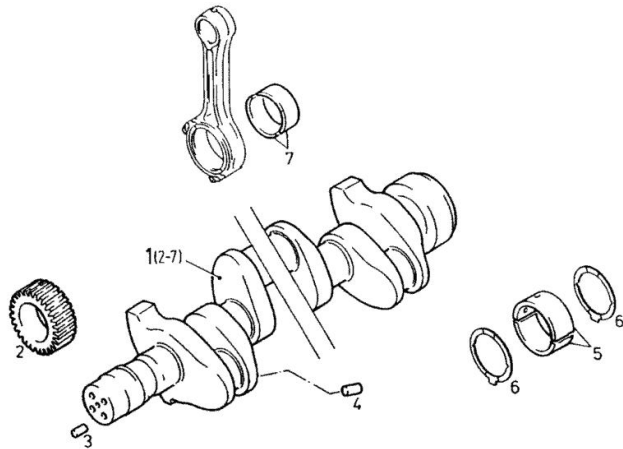



Fig.	P/n	QTY	Name
<b>Notes:</b>			
[AgroStar TG 6.81]			
1	12190794	1	crankshaft WITH ITEM .... 2-7
2	12200313	1	gear wheel
3	01115416	1	pin ISO 008752- 4 X 14
4	12151364	6	plug MWM-NR. 6.0280.04.9.0002
5	12189561	7	main bearing NORMAL (A) MM RD, UNDERSIZE STEP SEE ITEM(B) (A) = 70,00 RD (B) = 950 - 953 NORMAL = MWM-NR. 6.226.0.430.702.7
6	12160535	2	shim NORMAL (A)MM, OVERDIMENSION LEVEL SEE ITEM (B) (A) = 3,43 MM (B) = 954 - 956 NORMAL = 6.228.0.340.011.7
7	12200123	6	conrod bearing NORMAL (A) MM RD, UNDERSIZE STEP SEE ITEM(B) (A) = 63,00 MM RD (B) = POS. 957-960 NORMAL STEP, MWM-NO. 6.226.0.430.711.7
950	12189562	7	main bearing 1ST UNDERSIZE RD 69,75 MM MWM-NR. 6.226.8.430.704.7
951	12189563	7	main bearing 2ND UNDERSIZE RD 69,50 MM MWM-NR. 6.226.8.430.706.7
952	12189564	7	main bearing 3RD UNDERSIZE RD 69,25 MM MWM-NR. 6.226.8.430.708.7

Section: ENGINE  
**CRANKSHAFT**

Fig.	P/n	QTY	Name
953	12189565	7	main bearing 4TH UNDERSIZE RD 69,00 MM MWM-NR. 6.226.8.430.710.7
954	12160701	2	shim 1ST OVERSIZE 3,53 MM MWM-NR. 6.228.8.340.005.7
955	12160702	2	shim 2ND OVERSIZE 3,63 MM MWM-NR. 6.228.8.340.007.7
956	12160703	2	shim 3RD OVERSIZE MWM-NR. 6.228.8.340.009.7 3,73 MM
957	12200124	6	conrod bearing 1ST UNDERSIZE RD 62,75 MM MWM-NR. 6.226.8.430.713.7
958	12200125	6	conrod bearing 2ND UNDERSIZE RD 62,50 MM MWM-NR. 6.226.8.430.715.7
959	12200126	6	conrod bearing 3RD UNDERSIZE RD 62,25 MM MWM-NR. 6.226.8.430.717.7
960	12200127	6	conrod bearing 4TH UNDERSIZE RD 62,00 MM MWM-NR. 6.226.8.430.719.7

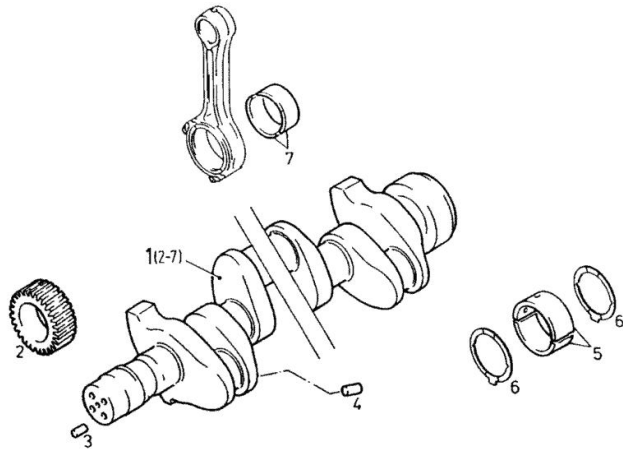


Kurbelwelle  
Crankshaft  
Vilebrequin  
Cigüeñal

6.81

0119-05-0509 2808

2



Thank you so much for reading.  
Please click the “Buy Now!”  
button below to download the  
complete manual.



After you pay.

You can download the most  
perfect and complete manual in  
the world immediately.

Our support email:

[ebooklibonline@outlook.com](mailto:ebooklibonline@outlook.com)