

Section: ENGINE
CRANK CASE

Fig.	P/n	QTY	Name
------	-----	-----	------

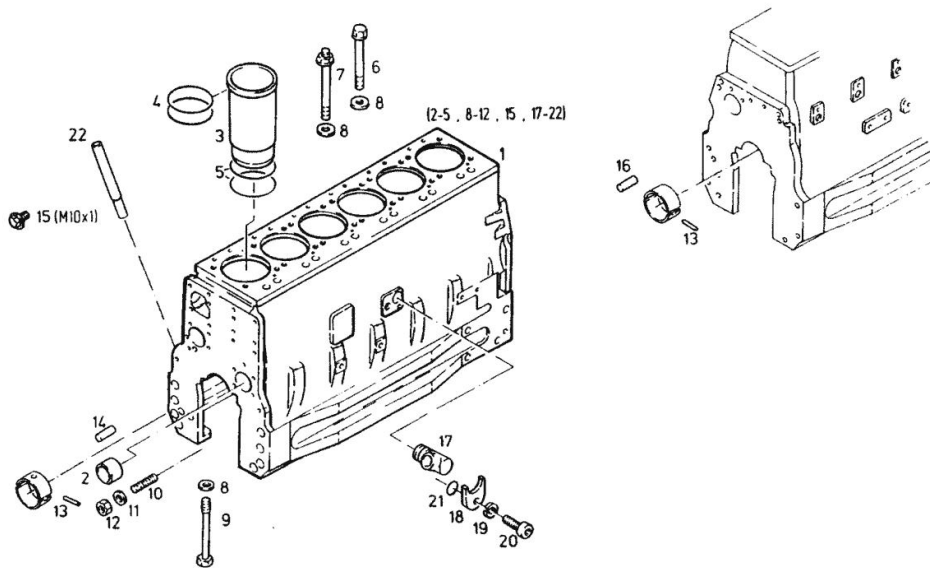
Notes:
 [AgroStar TG 6.71]

1	12272145	1	crankcase WITH ITEM 2-5,8-12,15,17-22)
2	12159599	1	bushing MWM-NR. 6.226.0.432.503.4
3	12270633	6	cooling jacket
4	01153804	12	oil seal H 002927-114 X 1,6 -FPM-1-70
5	01153805	12	oil seal H 002927-116 X 4 -NBR-1-60
6	12200620	19	screw MWM-NR. 6.226.0.350.506.4
7	12200621	5	screw MWM-NR. 6.226.0.350.507.4
8	12165568	38	washer MWM-NR. 6.321.1.340.001.4
9	12164651	14	screw MWM-NR. 6.305.0.350.001.4
10	01152538	1	screw DIN 000939-M 8 X 40 - 8.8-OEL BLACKENED
11	12159468	1	washer MWM-NR. 6.226.0.340.041.4
12	12151228	1	nut MWM-NR. 6.0210.17.1.0800
13	01115413	7	pin ISO 008752- 4 X 8
14	01105156	2	cylindrical plug ISO 002338- 8 M 6X 8
15	01131001	1	screw DIN 000906-M10X1 -ST-A4C
16	01105182	2	cylindrical plug ISO 002338-10 M 6X 28
17	12160117	1	manifold MWM-NR. 6.226.0.952.701.5
18	12160129	1	fan MWM-NR. 6.226.0.972.701.4
19	01177981	1	ring HM 060216.01-VSK 8-VERZINKT G YELLOW
20	01151498	1	screw



Kurbelgehäuse
 Crankcase
 Carter d'arbre-manivelles
 Bloque motor

0119-01-0509 2807



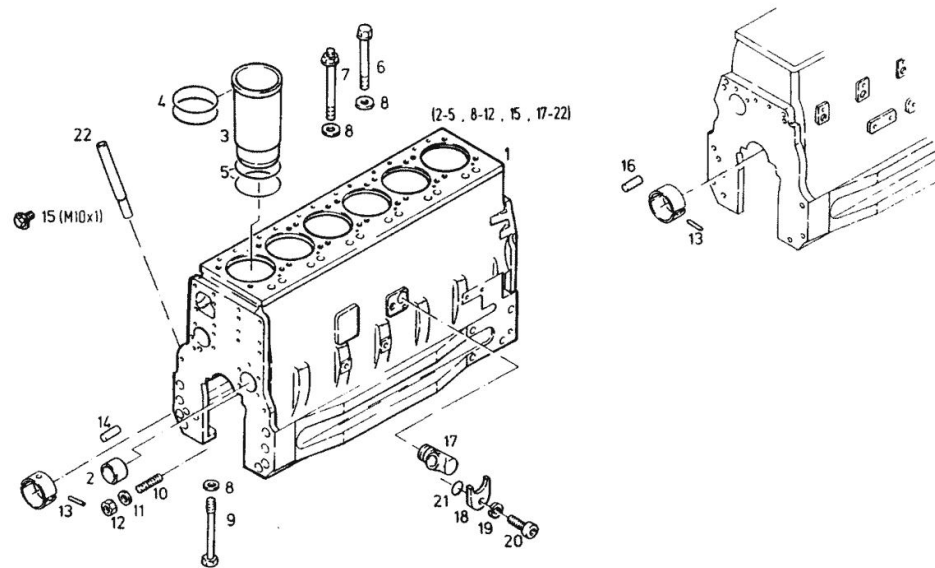
Section: ENGINE
CRANK CASE

Fig.	P/n	QTY	Name
21	01153869	1	DIN 000912- M 8 X 16 -10.9 oil seal
22	12189875	1	H 002927- 20,3 X 2,4 -FPM-1-6 0 tube MWM-NR. 6.226.0.942.511.4



Kurbelgehäuse
 Crankcase
 Carter d'arbre-manivelles
 Bloque motor

0119-01-0509 2807



Section: ENGINE
END PANEL COVER



Stirnwanddeckel
 Crankc. end cover
 Plaque d'extremite du carter
 Tapa pared frontal

0119-01-0509 2840

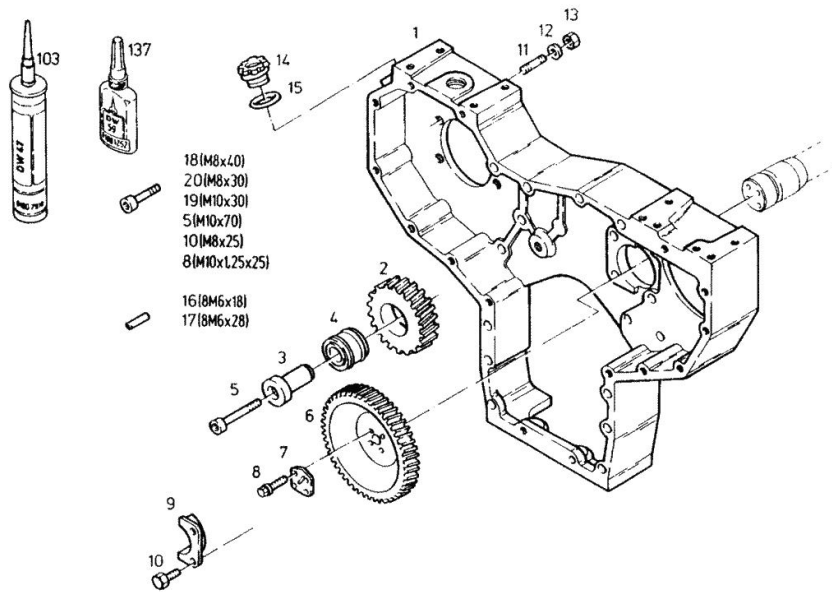


Fig.	P/n	QTY	Name
Notes: [AgroStar TG 6.71]			
1	12270646	1	cover
2	12270587	1	gear wheel
3	12270651	1	bush
4	12151453	1	roller bearing
5	01152833	1	screw MWM-NR. 6.0322.26.8.0003 DIN 000912- M10 X 70 -12.9-OE LGESCHW.
6	12270936	1	gear wheel
7	12189558	1	flange MWM-NR. 6.226.0.950.701.4
8	01139989	4	screw DIN 000912- M10X1,25 X 25 -12 .9
9	12270638	1	locking segment
10	01110571	2	screw DIN 000912- M 8 X 25 -10.9-OE LGESCHW.
11	01113477	4	stud bolt DIN 000939-M10 X 35 - 8.8
12	12166173	4	small disc MWM-NR. 6.324.0.340.036.4
13	01139401	4	nut m10 d934-10 DIN 000934-M10 -10-OELGESCHW.
14	12165572	1	plug
15	06214722	1	ring H 002927- 32 X 4 -NBR-1-70
16	01105156	2	cylindrical plug ISO 002338- 8 M 6X 18
17	01105160	2	cylindrical plug ISO 002338- 8 M 6X 28
18	01110590	6	screw DIN 000912- M 8 X 40 -10.9
19	01139731	3	screw DIN 000912- M10 X 30 -12.9
20	01110578	1	screw m8x30 d912-10 DIN 000912- M 8 X 30 -10.9-OE LGESCHW.
103	01016120		compound 1 kg H 000699-DEUTZ DW 47- 310 ML
137	01016112		adhesive H 699 - DEUTZ DW 59

Section: ENGINE

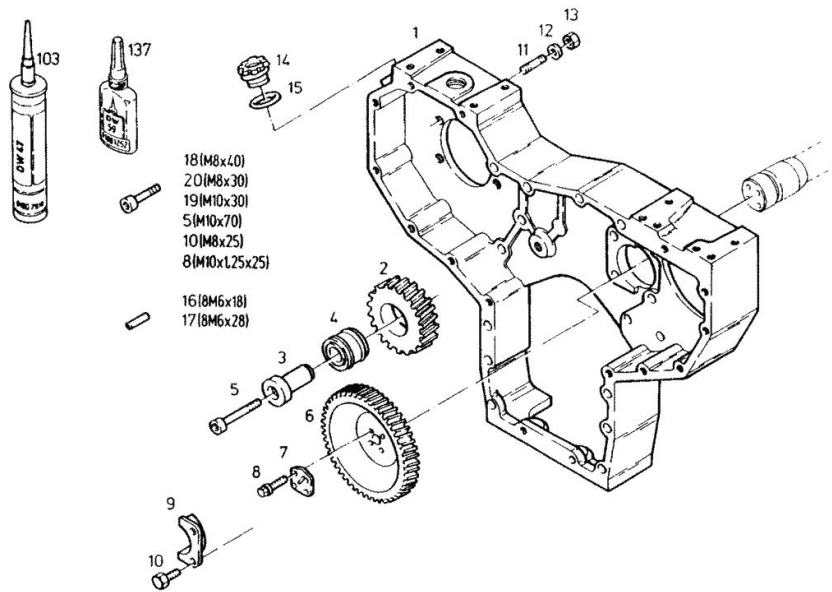
END PANEL COVER

Fig.	P/n	QTY	Name
950	12151053		H 000699-DEUTZ DW 59- 50 ML accelerator



Stirrwanddeckel
Crankc. end cover
Plaque d'extremite du carter
Tapa pared frontal

0119-01-0509 2840



Section: ENGINE

END PANEL COVER

Fig.	P/n	QTY	Name
------	-----	-----	------

Notes:

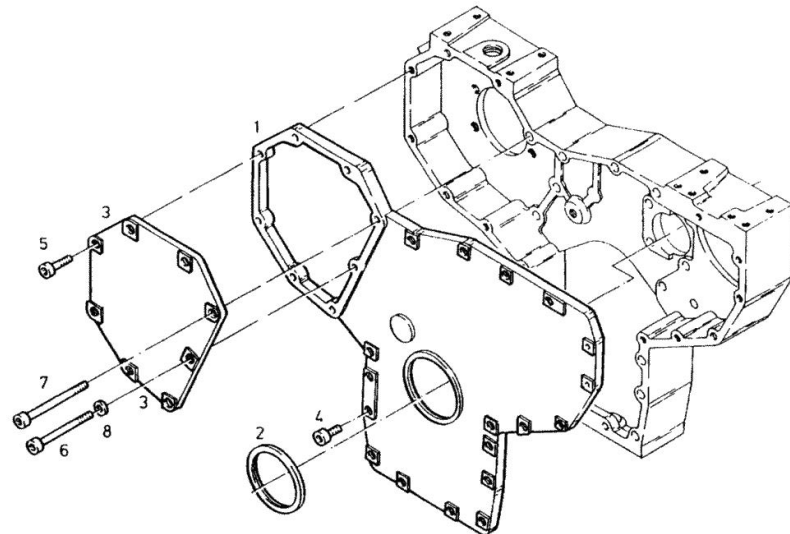
[AgroStar TG 6.71]

1	12270649	1	cover
2	12188100	1	ring MWM-NR. 6.226.0.856.001.4
3	12270650	1	cover
4	01110571	10	screw DIN 000912- M 8 X 25 -10.9-OE LGESCHW.
5	01110584	6	screw DIN 000912- M 8 X 35 -10.9-OE LGESCHW.
6	01152814	9	screw DIN 000912- M 8 X100 -10.9
7	01152816	1	screw DIN 000912- M 8 X110 -10.9
8	01118647	1	oil seal 8x11,5 d7603 DIN 007603-A 8 X 11,5-CU
9	01016120		compound 1 kg H 000699-DEUTZ DW 47- 310 ML



Slirnwanddeckel
Crankc. end cover
Plaque d'extremite du carter
Tapa pared frontal

0119-01-0509 2839



Section: ENGINE

NOZZLE

Fig.	P/n	QTY	Name
------	-----	-----	------

Notes:

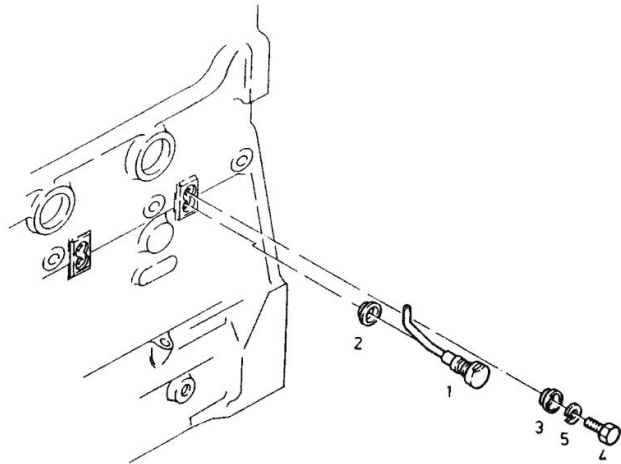
[AgroStar TG 6.71]

1	12191000	1	sprayer nozzle MWM-NR. 6.226.0.465.803.5
2	01166001	1	oil seal H 002927- 14 X 3 -NBR-1-70
3	12164637	1	small disc MWM-NR. 6.305.0.340.010.4
4	01151569	1	screw ISO 004017-M 8 X 16 - 8.8-OEL BLACKENED
5	01177981	1	ring HM 060216.01-VSK 8-VERZINKT G YELLOW



Duse
Nozzle
Tuyère
Tobera

0119-01-0509 2822



Section: ENGINE

CRANK CASE VENTING

Fig.	P/n	QTY	Name
------	-----	-----	------

Notes:

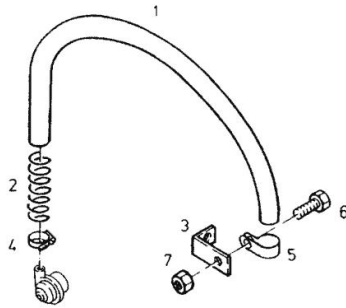
[AgroStar TG 6.71]

1	01396634	1	flexible hose H 007761-A18 X24
2	12270389	1	spring
3	12190757	1	square
4	01137412	1	clamp DIN 003017AL 16- 25 -W1
5	12151702	1	fascia H 003222-A 22 X 20
6	01137083	1	screw ISO 004017-M 8 X 20 - 8.8-GES BLACK
7	01112829	1	nut ISO 004032-M 8 -10



Kurbelgehäuse Entlüftung
Crankcase breather
Désaération carter vilebrequin
Sistema de ventilación del cárter

0119-01-0509 2867



Section: ENGINE
CONSOLE

Fig.	P/n	QTY	Name
------	-----	-----	------

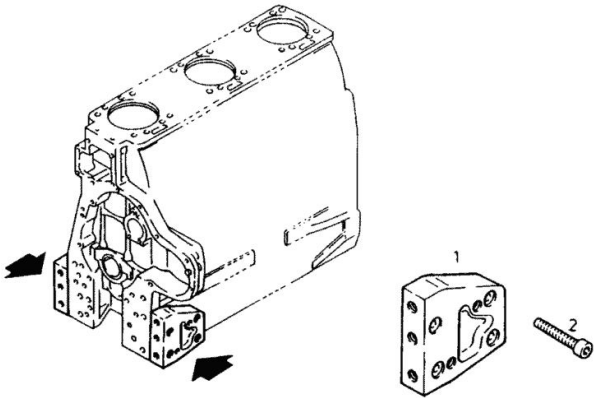
Notes:
[AgroStar TG 6.71]

1	12272129	1	console
2	01154900	4	screw H 002035-DM16 X 90 -10.9



Konsole
Bracket
Console
Consola

0119-01-0509 2783



Section: ENGINE

OIL PAN

Fig.	P/n	QTY	Name
------	-----	-----	------

Notes:

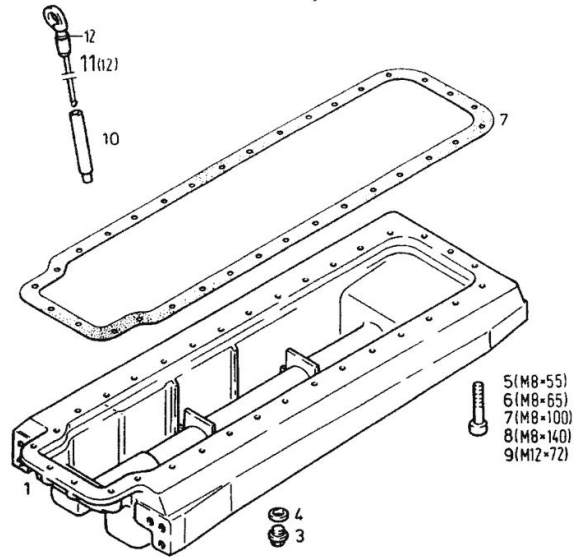
[AgroStar TG 6.71]

1	12270594	1	oil sump
2	12270871	1	gasket
3	01110445	2	screw
4	01124011	2	ring
5	01151504	4	screw
6	01151507	20	screw
7	01152814	2	screw
8	01110638	6	screw
9	01152313	4	screw
10	12189875	1	tube
11	12270444	1	dipstick
			WITH ITEM
			12
12	01153856	1	oil seal
			H 002927- 7,3 X 2,4 -FPM-1-60



Ölwanne
Oil pan
Carter d'huile
Sumidero de aceite

0119-02-0509 2782



Section: ENGINE

CRANKSHAFT

Fig.	P/n	QTY	Name
------	-----	-----	------

Notes:

[AgroStar TG 6.71]

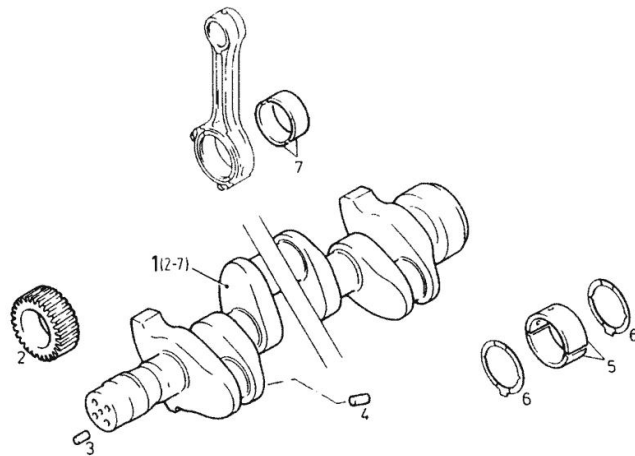
1	12189719	1	crankshaft WITH ITEM 2-7 MWM-NR. 6.228.8.140.026.8
2	12160540	1	gear wheel MWM-NR. 6.228.0.371.001.4
3	01115416	1	pin ISO 008752- 4 X 14 MWM-NR. 6.0220.15.0.0414
4	12151364	6	plug MWM-NR. 6.0280.04.9.0002
5	12160569	7	bearing NORMAL (A) MM RD, UNDERSIZE STEP SEE ITEM(B) (A) = 70,00 MM RD (B) = 950 - 953 NORMAL = MWM-NR. 6.228.0.430.001.7
6	12160535	2	shim NORMAL (A)MM, OVERDIMENSION LEVEL SEE ITEM (B) (A) = 3,43 MM (B) = 954 - 956 NORMAL = 6.228.0.340.011.7
7	12160570	6	conrod bearing NORMAL (A) MM RD, UNDERSIZE STEP SEE ITEM(B) (A) = 63;00 MM RD (B) = 957 - 960 MWM-NR.6.228.0.430.011.7
950	12160704	7	bearing 1ST UNDERSIZE RD 69,75 MM MWM-NR. 6.228.8.430.003.7
951	12160705	7	bearing 2ND UNDERSIZE RD 69,50 MM MWM-NR. 6.228.8.430.005.7
952	12160706	7	bearing 3RD UNDERSIZE



Kurbelwelle
Crankshaft
Vilebrequin
Cigüeñal

6.71

0119 -05-0509 0022



Section: ENGINE
CRANKSHAFT

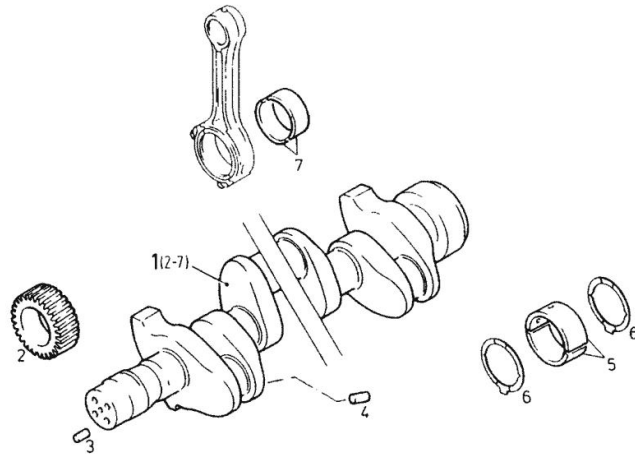
Fig.	P/n	QTY	Name
953	12160707	7	RD 69,25 MM MWM-NR. 6.228.8.430.007.7 bearing 4TH UNDERSIZE RD 69,00 MM MWM-NR. 6.228.8.430.009.7
954	12160701	2	shim 1ST OVERSIZE 3,53 MM MWM-NR. 6.228.8.340.005.7
955	12160702	2	shim 2ND OVERSIZE 3,63 MM MWM-NR. 6.228.8.340.007.7
956	12160703	2	shim 3RD OVERSIZE 3,73 MM MWM-NR. 6.228.8.340.009.7
957	12160708	6	conrod bearing 1ST UNDERSIZE RD 62,75 MM MWM-NR. 6.228.8.430.013.7
958	12160709	6	conrod bearing 2ND UNDERSIZE RD 62,50 MM MWM-NR. 6.228.8.430.015.7
959	12160710	6	conrod bearing 3RD UNDERSIZE RD 62,25 MM MWM-NR. 6.228.8.430.017.7
960	12160711	6	conrod bearing 4TH UNDERSIZE RD 62,00 MM MWM-NR. 6.228.8.430.019.7



Kurbelwelle
 Crankshaft
 Vilebrequin
 Cigüeñal

6.71

0119 -05-0509 0022



Thank you so much for reading.
Please click the “Buy Now!”
button below to download the
complete manual.



After you pay.

You can download the most
perfect and complete manual in
the world immediately.

Our support email:

ebooklibonline@outlook.com