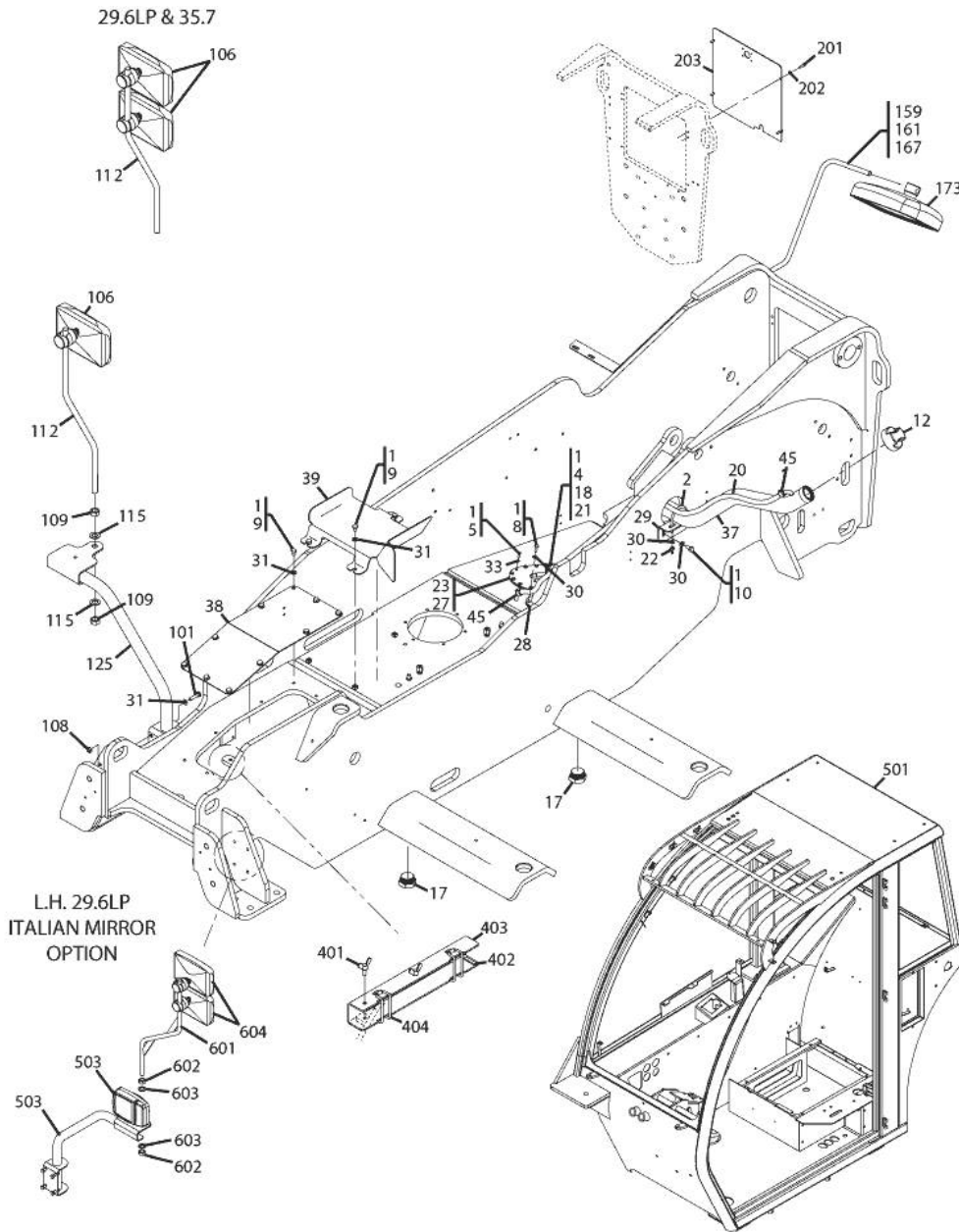


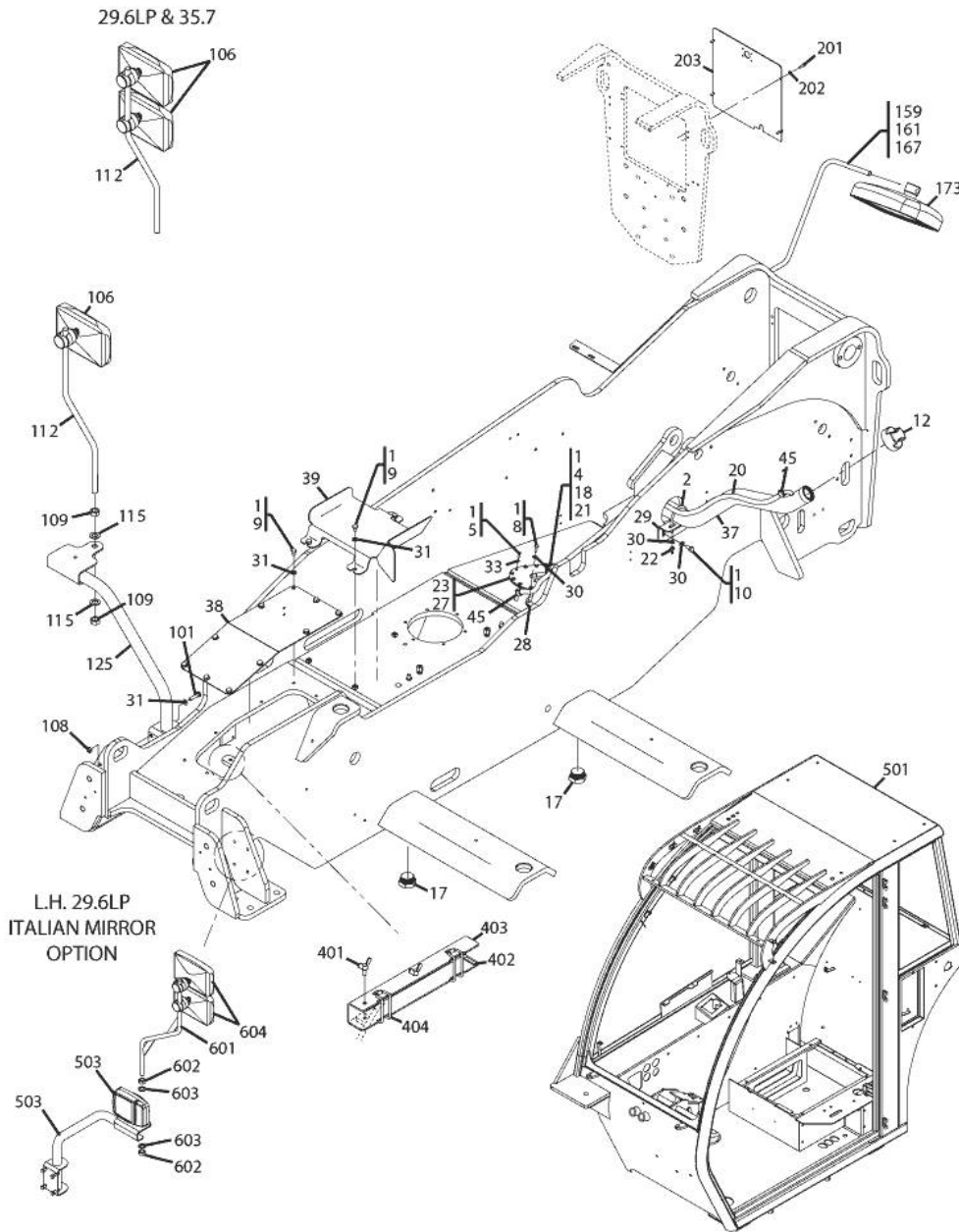
FIGURE 1-1 FRAME SHROUDING & TRIM



NOTE: 29.6 & 29.6LP FRAME SHOWN FOR ILLUSTRATION PURPOSE.

Fig.	P/n	QTY	Name
1	0.900.0148.9		loctite # 242
2	0.000.0000.1		cannot be supplied METRIC BOLT ☞ 34.00.6
4	0.000.0000.1		cannot be supplied HEX HD CAPSCREW, M4X20, GR8.8 ☞ 34.00.6
5	0.000.0000.1		cannot be supplied HEX HD CAPSCREW, M6X16, GR8.8 ☞ 34.00.6
8	0.000.0000.1		cannot be supplied HEX HD CAPSCREW, M8X20, GR8.8 ☞ 34.00.6
9	0.900.1290.4	13	screw (29.6 & 29.6LP)
10	0.000.0000.1		cannot be supplied HEX HD CAPSCREW, M12X30, GR8.8 ☞ 34.00.6
12	0.000.0000.1		cannot be supplied FUEL CAP ☞ 34.00.6
17	0.900.0171.7	2	plug
18	0.000.0000.1		cannot be supplied ☞ 34.00.6
20	0.000.0000.1		cannot be supplied FUEL VENT HOSE ☞ 34.00.6
21	0.000.0000.1		cannot be supplied HEX LOCKNUT, M4X0.7 ☞ 34.00.6
22	0.000.0000.1	3	cannot be supplied HEX LOCKNUT, M8X1.25 ☞ 34.00.6
23	0.900.0184.3	1	cover
27	0.900.0192.0	1	gasket
28	0.000.0000.1		cannot be supplied SEAL ☞ 34.00.6
29	0.000.0000.1		cannot be supplied FUEL FILL SUPPORT ☞ 34.00.6

FIGURE 1-1 FRAME SHROUDING & TRIM



NOTE: 29.6 & 29.6LP FRAME SHOWN FOR ILLUSTRATION PURPOSE.

Fig.	P/n	QTY	Name
30	0.000.0000.1		cannot be supplied FUEL LINE PIPE MOUNTING HARDWARE ☞ 34.00.6
31	0.900.0201.4	13	washer 10.5
33	0.000.0000.1		cannot be supplied LOCKWASHER, 6MM ☞ 34.00.6
37	0.000.0000.1		cannot be supplied ☞ 34.00.6
38	0.900.0927.1	1	cover (35.7)
38	0.900.1292.6	1	plate (29.6 & 29.6LP)
39	0.900.1292.9	1	cover (29.6)
39	0.900.1293.5	1	cover (35.7)
39	0.900.1293.6	1	cover (29.6LP)
45	0.000.0000.1		cannot be supplied HOSE CLAMP ☞ 34.00.6
101	0.900.0153.2	4	screw m 10 p.1.5 x 40
106	0.900.1295.6	2	mirror (29.6LP & 35.7)
108	0.000.0000.1		cannot be supplied HEX NUT, M10X1.5 ☞ 3A.00.10
109	0.900.0183.4	2	nut m 20 p.2.25
112	0.900.0201.0	1	rod
115	0.900.0201.7	2	washer 20
125	0.900.1307.2	1	support dx/rh/re
159	0.900.0404.6	2	screw m 6 p.1x30 (29.6 & 29.6LP)
161	0.900.1295.7	1	support (29.6 & 29.6LP)
167	0.900.0201.2	2	washer 6, d128 (29.6 & 29.6LP)
173	0.900.1295.6	1	mirror (29.6 & 29.6LP)
200	0.000.0000.1		cannot be supplied REAR ACCESS PANEL INSTALLATION NOT AVAILABLE TO ORDER, SEE ITEMS 201 THRU 203 FOR SERVICE

FIGURE 1-1 FRAME SHROUDING & TRIM

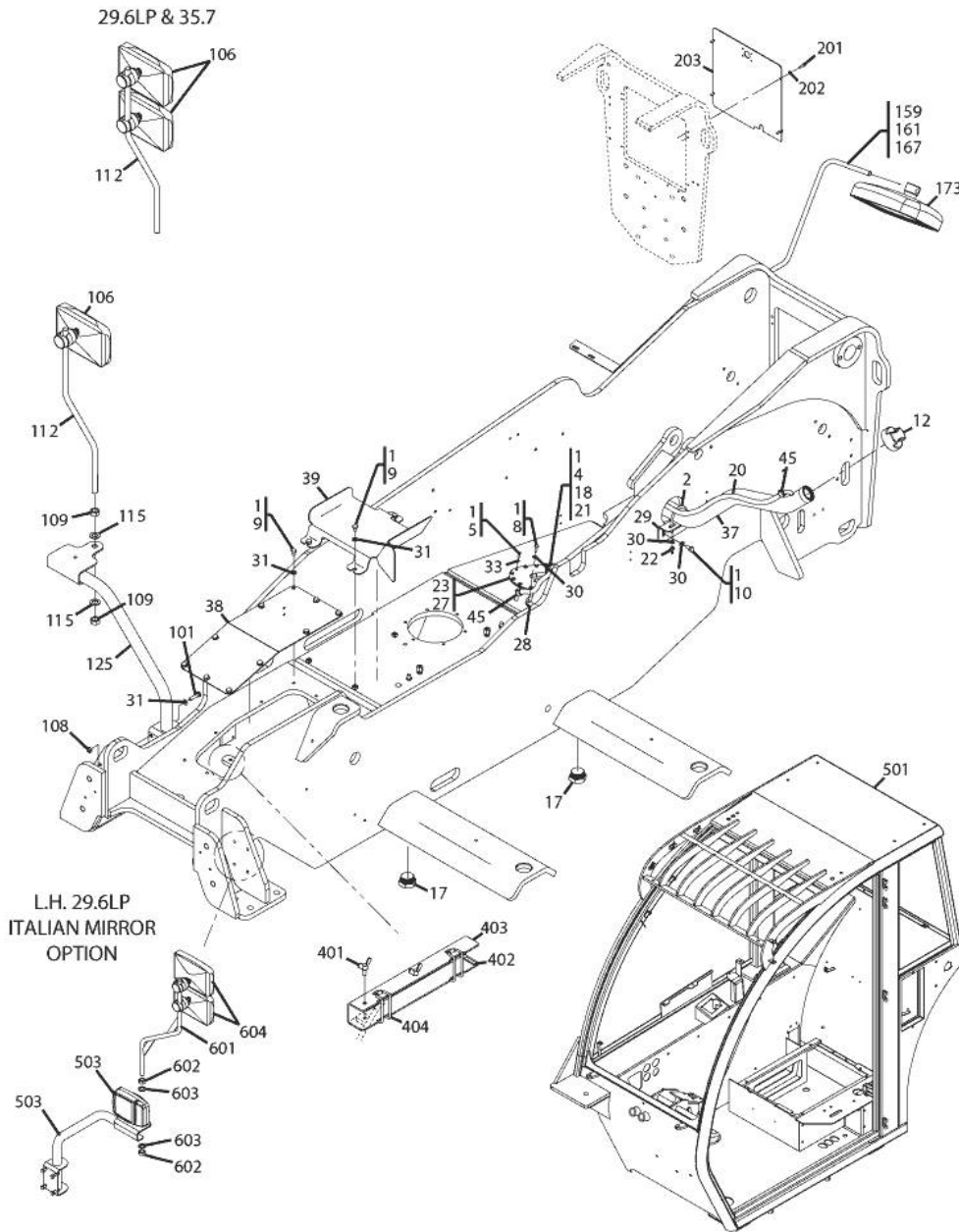


Fig.	P/n	QTY	Name
201	0.900.1290.2	4	screw
202	0.900.0201.3	4	washer 8
203	0.900.1294.2	1	plate
400	0.000.0000.1		cannot be supplied WHEEL CHOCK INSTALLATION, (35.7) (IF EQUIPPED) NOT AVAILABLE TO ORDER, SEE ITEMS 301 THRU 305 FOR SERVICE
401	0.900.0428.4	2	screw m12x30
402	0.900.0253.5	0.64	gasket
403	0.900.0408.1	1	rod
404	0.900.0413.2	2	ring
501	0.000.0000.1		cannot be supplied CAB ☞ 36.00.0
502	0.000.0000.1		cannot be supplied NOT SHOWN ☞ 39.00.31
503	0.000.0000.1		cannot be supplied DRIVING LIGHT INSTALLATION ☞ 3A.00.10
600	0.000.0000.1		cannot be supplied MIRROR INSTALLATION, (29.6LP) (IF EQUIPPED) NOT AVAILABLE TO ORDER, SEE ITEMS 601 THRU 604 FOR SERVICE
601	0.900.0924.2	1	rod
602	0.900.0183.4	2	nut m 20 p.2.25
603	0.900.0201.7	2	washer 20
604	0.900.0420.9	2	mirror

NOTE: 29.6 & 29.6LP FRAME SHOWN FOR ILLUSTRATION PURPOSE.

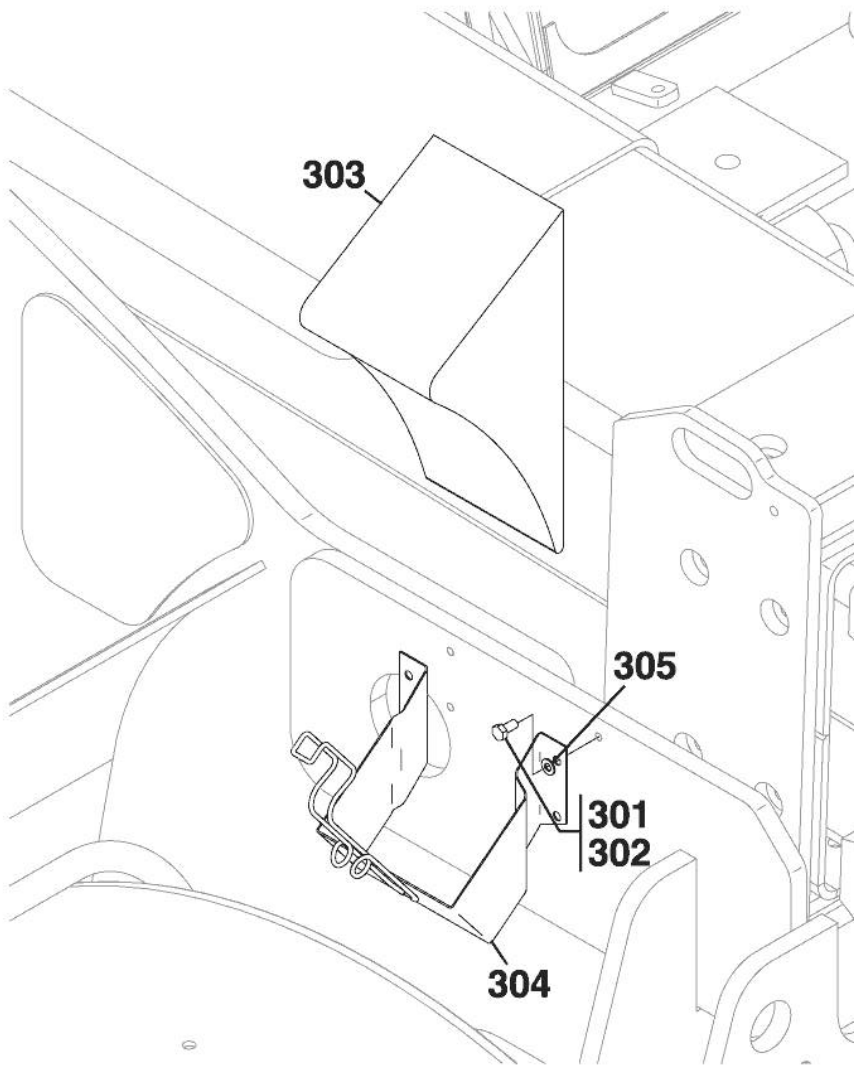
FIGURE 1-1 FRAME SHROUDING & TRIM

Fig.	P/n	QTY	Name
------	-----	-----	------

Notes:

[Agrovector 35.7]

301	0.900.0148.9		loctite # 242
302	0.900.0155.3	4	screw m 8 p.1.25 x 16 (35.7)
303	0.900.0252.7	1	support
304	0.900.0252.8	1	support
305	0.900.0201.3	4	washer 8
306	0.900.0424.2	1	plate (29.6 & 29.6LP)
307	0.900.0155.5	2	screw m 8 p.1.25 x 25 (29.6 & 29.6LP)



PZ2760

Section: FRAME & ATTACHING PARTS

FIGURE 1-2 ENGINE COVER INSTALLATION & ENGINE POD INSULATION

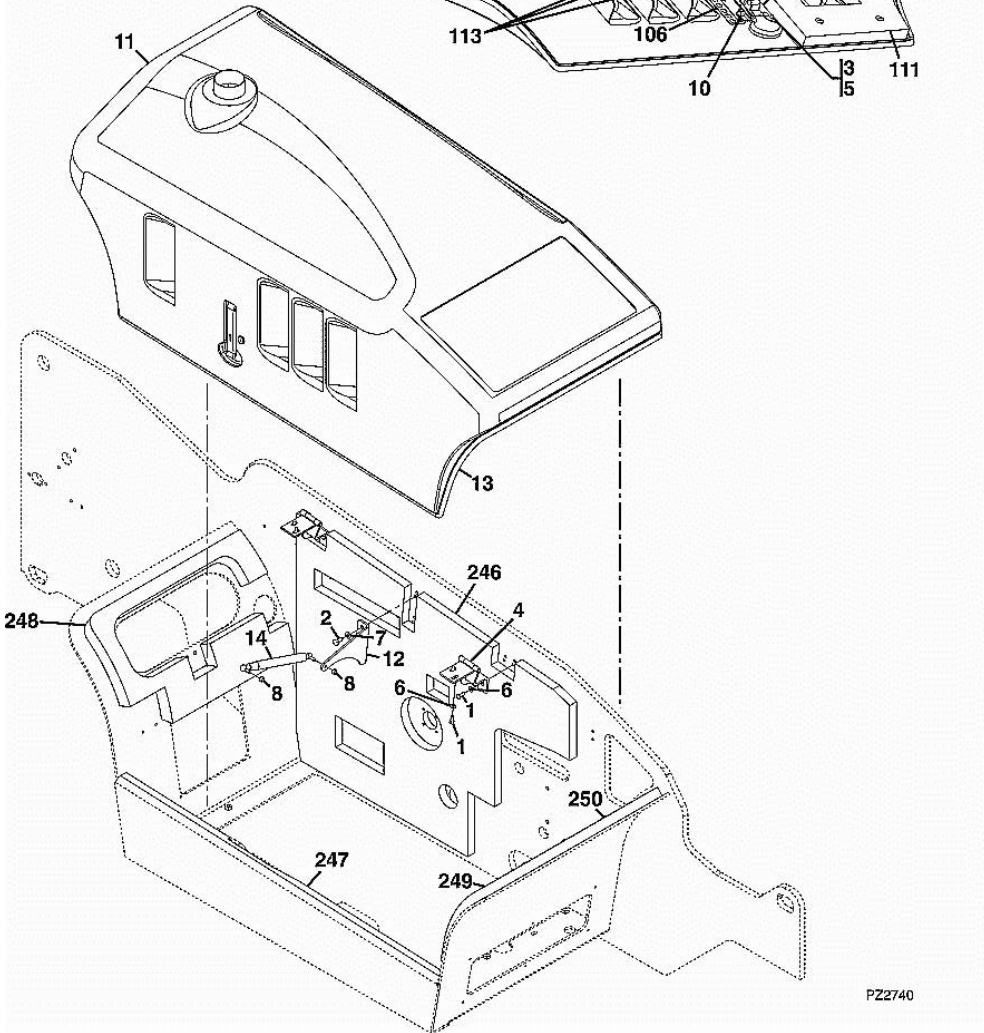
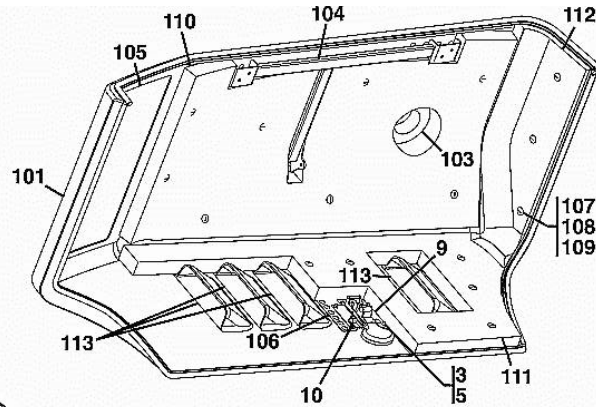


Fig.	P/n	QTY	Name
------	-----	-----	------

Notes:

[Agrovector 35.7]

0	0.000.0000.1		cannot be supplied ENGINE COVER INSTALLATION NOT AVAILABLE TO ORDER, SEE ITEMS 1 THRU 14 FOR SERVICE
1	0.900.0155.4	8	screw m 8 p.1.25 x 20
2	0.900.0155.9	2	screw m 10 p.1.5 x 20
3	0.900.0182.4	3	nut
4	0.900.0200.6	2	hinge
5	0.900.0201.2	3	washer 6, d128
6	0.900.0201.3	8	washer 8
7	0.900.0201.4	2	washer 10.5
8	0.900.0203.6	2	nut m 8
9	0.900.0245.4	1	small plate
10	0.900.0245.8	1	interlock
11	0.900.1303.0	1	hood
			INCLUDES ITEMS 101 THRU 113
12	0.900.1308.9	1	bracket
13	0.900.1299.9	1	gasket
14	0.900.0426.4	1	spring
101	0.900.1320.4	1	hood
103	0.900.1321.8	1	filter
104	0.000.0000.1	1	cannot be supplied SUPPORT WELDMENT
105	0.900.1326.2	1	grille
106	0.900.0200.7	1	plate
107	0.900.1336.2	17	carrier
108	0.900.1335.6	17	plate
109	0.900.0408.3	17	cap
110	0.900.1325.6	1	sound deadening
111	0.900.1325.7	1	sound deadening
112	0.900.1325.8	1	sound deadening
113	0.900.1325.5	4	grille
246	0.900.1325.1	1	sound deadening
247	0.900.1325.2	1	sound deadening
248	0.900.1325.3	1	sound deadening
249	0.900.1325.4	1	sound deadening
250	0.900.0408.3	6	cap

P22740

FIGURE 1-3 AXLE & FENDER INSTALLATION

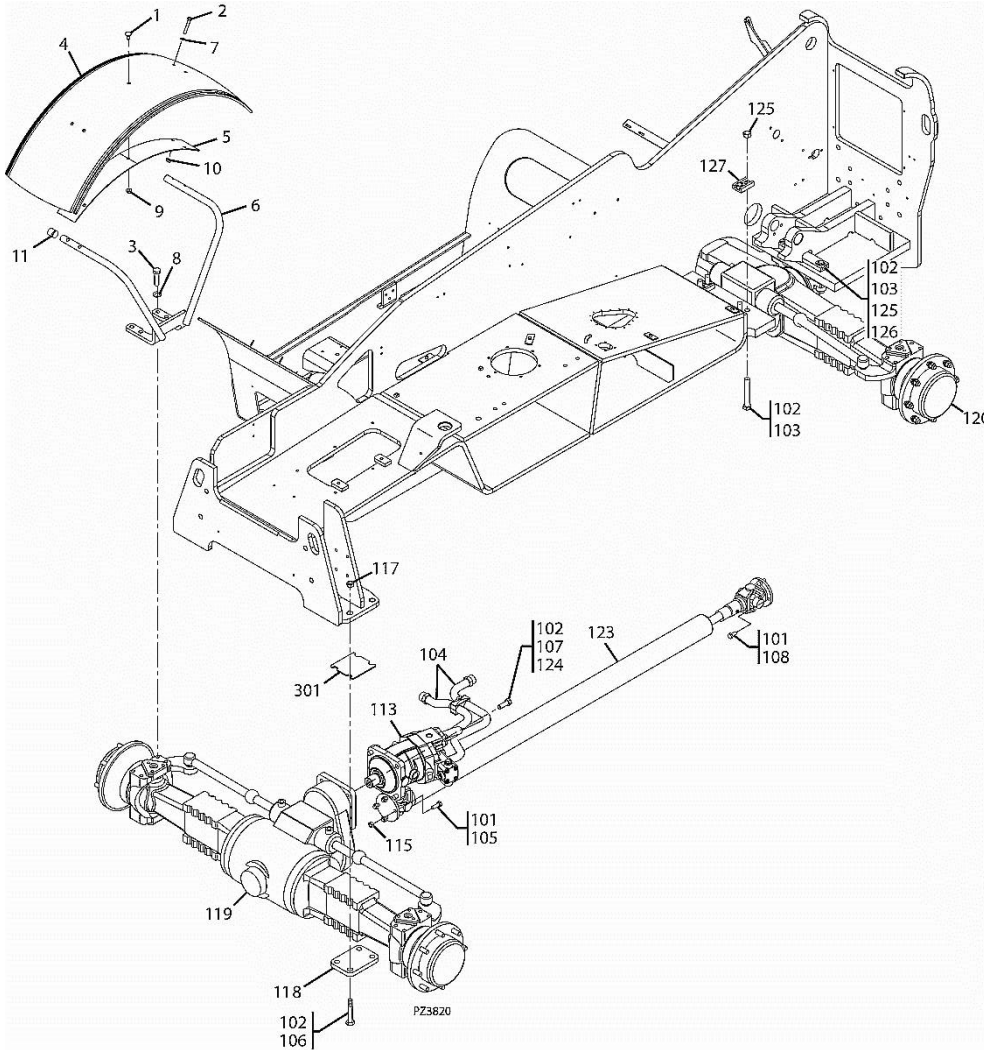


Fig.	P/n	QTY	Name
------	-----	-----	------

Notes:

[Agrovector 35.7]

0	0.000.0000.1		cannot be supplied FENDER INSTALLATION, (29.6) NOT AVAILABLE TO ORDER, SEE ITEMS 1 THRU 11 FOR SERVICE
1	0.900.0421.1	8	bolt 1.25 x 20 (29.6LP)
2	0.900.0153.4	16	screw m10 p.1,5x50
3	0.900.0156.8	16	screw m 16 x 45
4	0.900.0885.7	4	fender (35.7)
4	0.900.0889.5	4	fender 26.6 (29.6)
4	0.900.0926.1	4	fender 26.6 LP (29.6LP)
5	0.900.0194.6	4	carrier (29.6 & 29.6LP)
5	0.900.0194.7	4	carrier (35.7)
6	0.900.0188.2	4	support (35.7)
6	0.900.0252.2	4	support (29.6)
6	0.900.0926.4	4	support 26.6 LP (29.6LP)
7	0.900.0201.4	16	washer 10.5
8	0.900.0201.6	16	washer 16
9	0.900.0203.6	4	nut m 8 (29.6LP)
10	0.900.0249.6	8	plug
11	0.900.0203.7	16	nut
100	0.000.0000.1		cannot be supplied DRIVE TRAIN INSTALLATION, (29.6LP & 29.6) NOT AVAILABLE TO ORDER, SEE ITEMS 101 THRU 127 FOR SERVICE
101	0.900.1137.7		loctite # 243
102	0.900.0149.0		loctite # 271
103	0.900.0152.3	6	screw m 20 p.1.5x140
104	0.000.0000.1		cannot be supplied FRONT DRIVE MOTOR HYDRAULIC COMPONENTS
105	0.900.0154.0	4	screw m 12 x 35
106	0.900.0154.4	8	screw m 20 x 230, gr. 10.9

FIGURE 1-3 AXLE & FENDER INSTALLATION

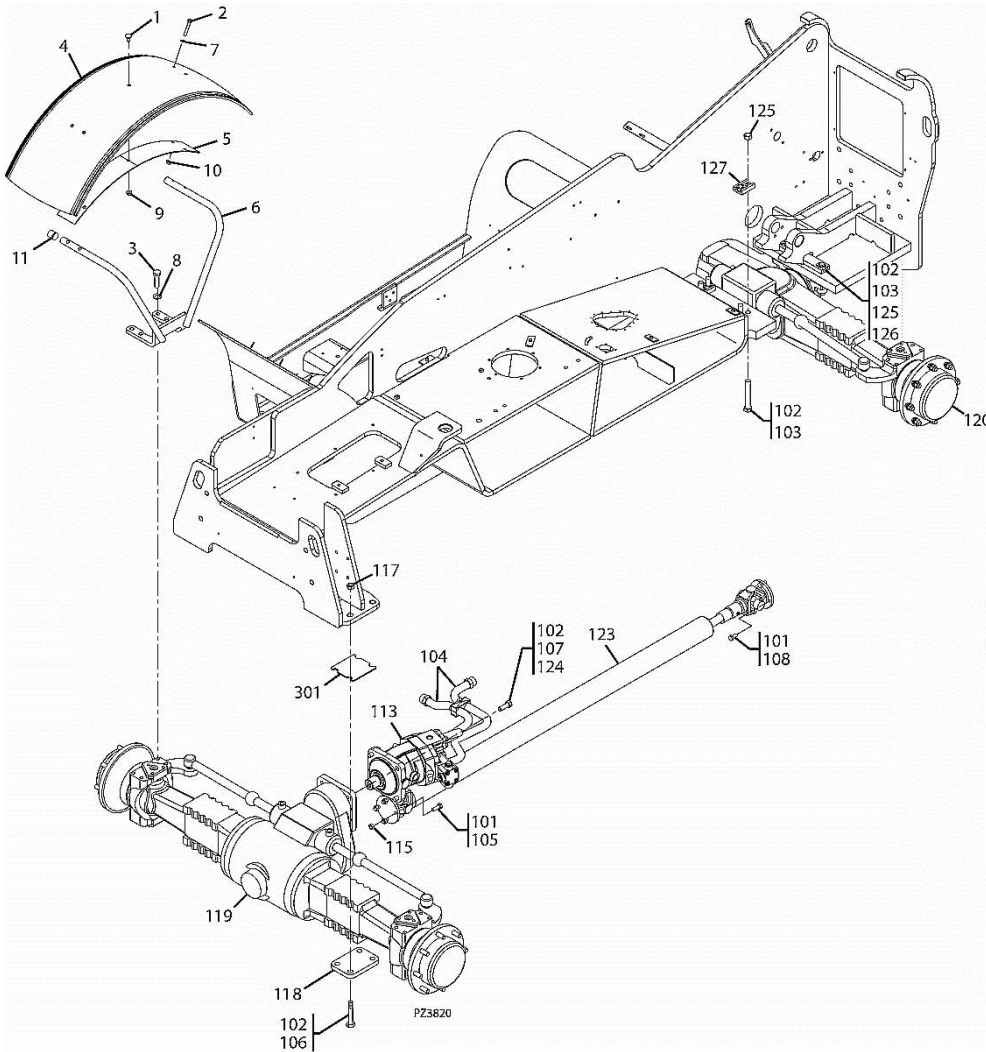


Fig.	P/n	QTY	Name
106	0.900.0154.5	8	(29.6 & 29.6LP) screw m 20 x 280 (35.7)
107	0.900.0156.8	4	screw m 16 x 45 (29.6 & 29.6LP)
107	0.900.1135.4	4	screw m 16 x 55, gr. 8.8 (35.7)
108	0.900.0157.1	4	screw m 12 x 25
113	0.000.0000.1		cannot be supplied ☞ 39.00.27
115	0.900.0183.0	4	nut m 12 p.1.75
117	0.900.0183.9	8	nut m 20 p.2.5 (29.6 & 29.6LP)
117	0.900.0184.2	8	nut m 24x3 (35.7)
118	0.900.0188.1	2	small plate (29.6 & 29.6LP)
118	0.900.0189.4	2	small plate (35.7)
119	0.000.0000.1		cannot be supplied ☞ 35.00.1
120	0.000.0000.1		cannot be supplied ☞ 35.00.25
123	0.000.0000.1		cannot be supplied DRIVE SHAFT ASSY ☞ 35.00.43
124	0.900.0201.6	4	washer 16
125	0.900.1316.6	6	nut m 20 p.1.5
126	0.900.1318.7	2	plate
127	0.900.1318.8	2	plate
301	0.900.1329.2		shim IF EQUIPPED

FIGURE 1-4 DRAW BAR COUPLING

Fig.	P/n	QTY	Name
------	-----	-----	------

Notes:

[Agrovector 35.7]

0	0.900.0430.6	1	tow hook kpl.
1	0.900.0430.4	1	hook
2	0.900.0191.8	1	pin
3	0.900.0405.8	2	screw m 16 x 55
4	0.900.0430.5	2	nut m 16
5	0.900.0201.6	2	washer 16

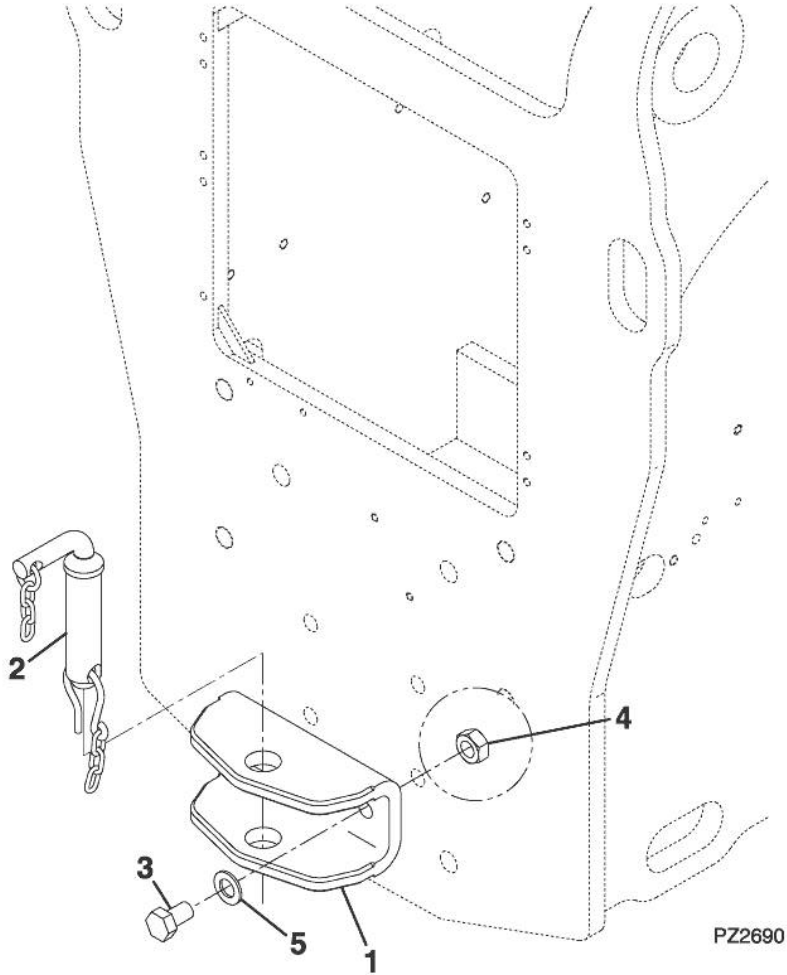


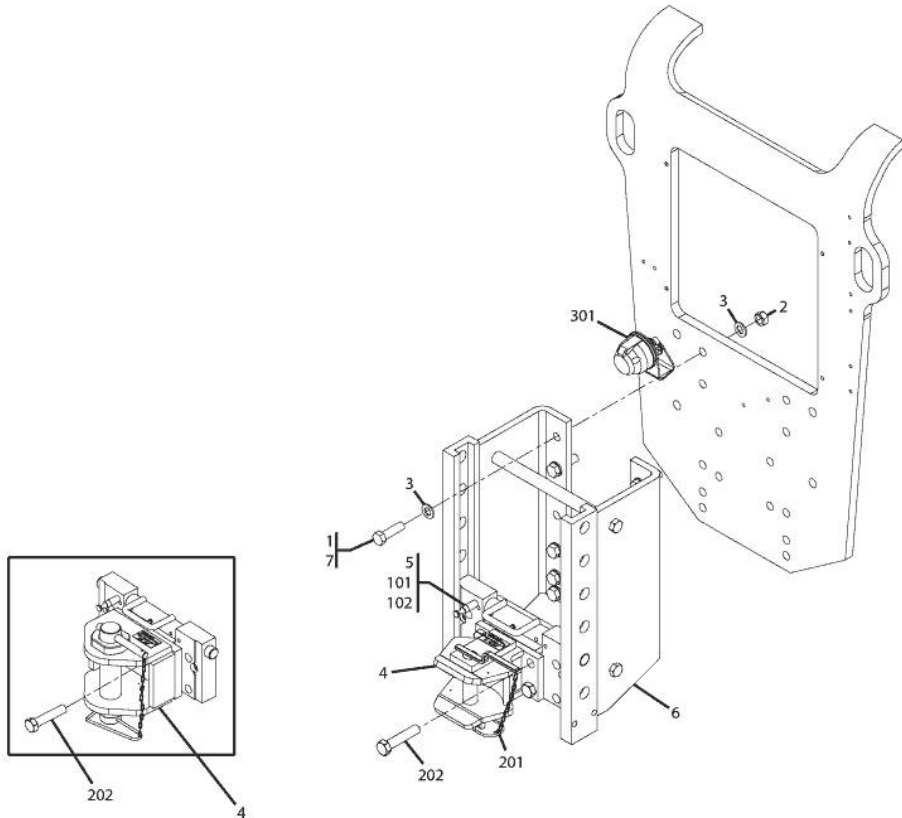
FIGURE 1-5 PINT HITCH - CUNA C & CUNA D2

Fig.	P/n	QTY	Name
------	-----	-----	------

Notes:

[Agrovector 35.7]

0	0.000.0000.1		cannot be supplied ""CUNA C"" PIN HITCH INSTALLATION (IF EQUIPPED) NOT AVAILABLE TO ORDER, SEE ITEMS 1 THRU 7 FOR SERVICE"
1	0.900.1135.4	10	screw m 16 x 55, gr. 8.8 TORQUE TO 180-230 NM
2	0.900.0800.0	10	nut m 16 p.2
3	0.900.0201.6	20	washer 16
4	0.900.1138.8	1	hook (CUNA C) INCLUDES ITEMS 201 & 202
4	0.900.1301.9	1	hook (CUNA D2) INCLUDES ITEMS 201 & 202
5	0.900.1138.9	1	adapter INCLUDES ITEMS 101 & 102
6	0.900.1140.2	1	hook
7	0.900.1137.7		loctite # 243
101	0.900.1355.0	1	small pin
102	0.900.1355.9	1	lever - KIT
201	0.900.1354.6	1	small pin (CUNA C)
201	0.900.1354.8	1	pin (CUNA D2)
202	0.900.1354.9	1	assembly kit
301	0.000.0000.1		cannot be supplied TRAILER PLUG KIT ☞ 3A.00.4



PZ3720

FIGURE 1-6 EEC AUTO, EEC MANUAL & EEC AUTO PITON-FRAME SWIVEL HITCH

Fig.	P/n	QTY	Name
------	-----	-----	------

Notes:

[Agrovector 35.7]

0	0.000.0000.1		cannot be supplied ""EC"" MANUAL HITCH INSTALLATION (IF EQUIPPED) NOT AVAILABLE TO ORDER, SEE ITEMS 1 THRU 6 FOR SERVICE"
1	0.900.1135.4	10	screw m 16 x 55, gr. 8.8
2	0.900.0800.0	10	nut m 16 p.2
3	0.900.0201.6	20	washer 16
4	0.900.1138.7	1	hook INCLUDES ITEMS 101 THRU 105
4	0.900.1143.5	1	hook INCLUDES ITEMS 101, 103 & 105
5	0.900.1140.2	1	hook
5	0.900.1140.3	1	hook
6	0.900.1137.7		loctite # 243
101	0.900.1355.8	1	lever - KIT
102	0.900.1356.0	1	casing
103	0.900.1355.0	1	small pin
104	0.900.1355.1	1	bushing INCLUDES SNAP RING
105	0.900.1355.2	1	pin
105	0.900.1355.3	1	pin
201	0.000.0000.1		cannot be supplied TRAILER PLUG KIT ☞ 3A.00.4

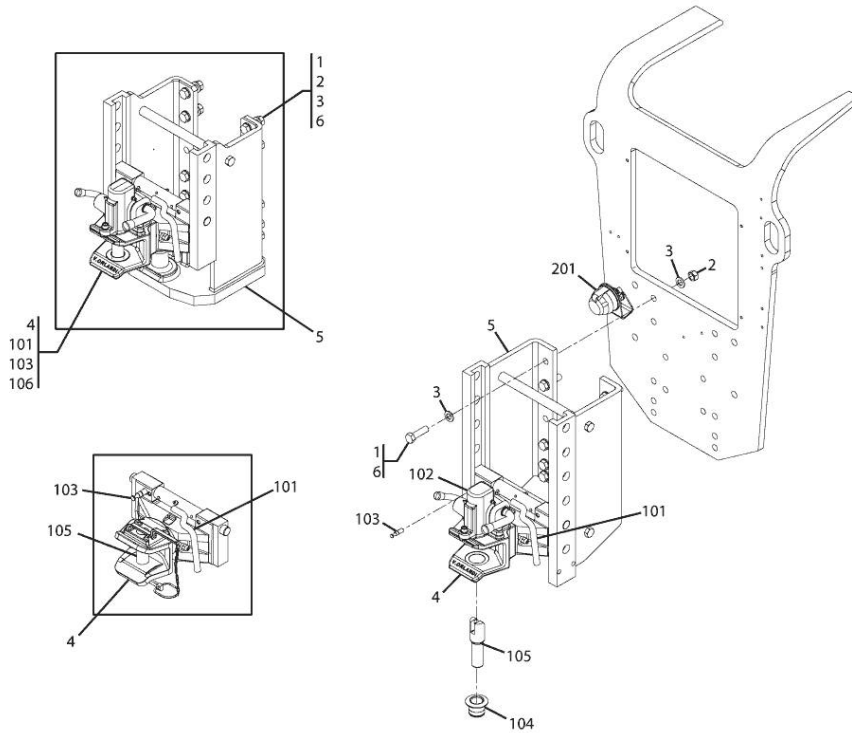


FIGURE 1-7 HYDRAULIC HITCH

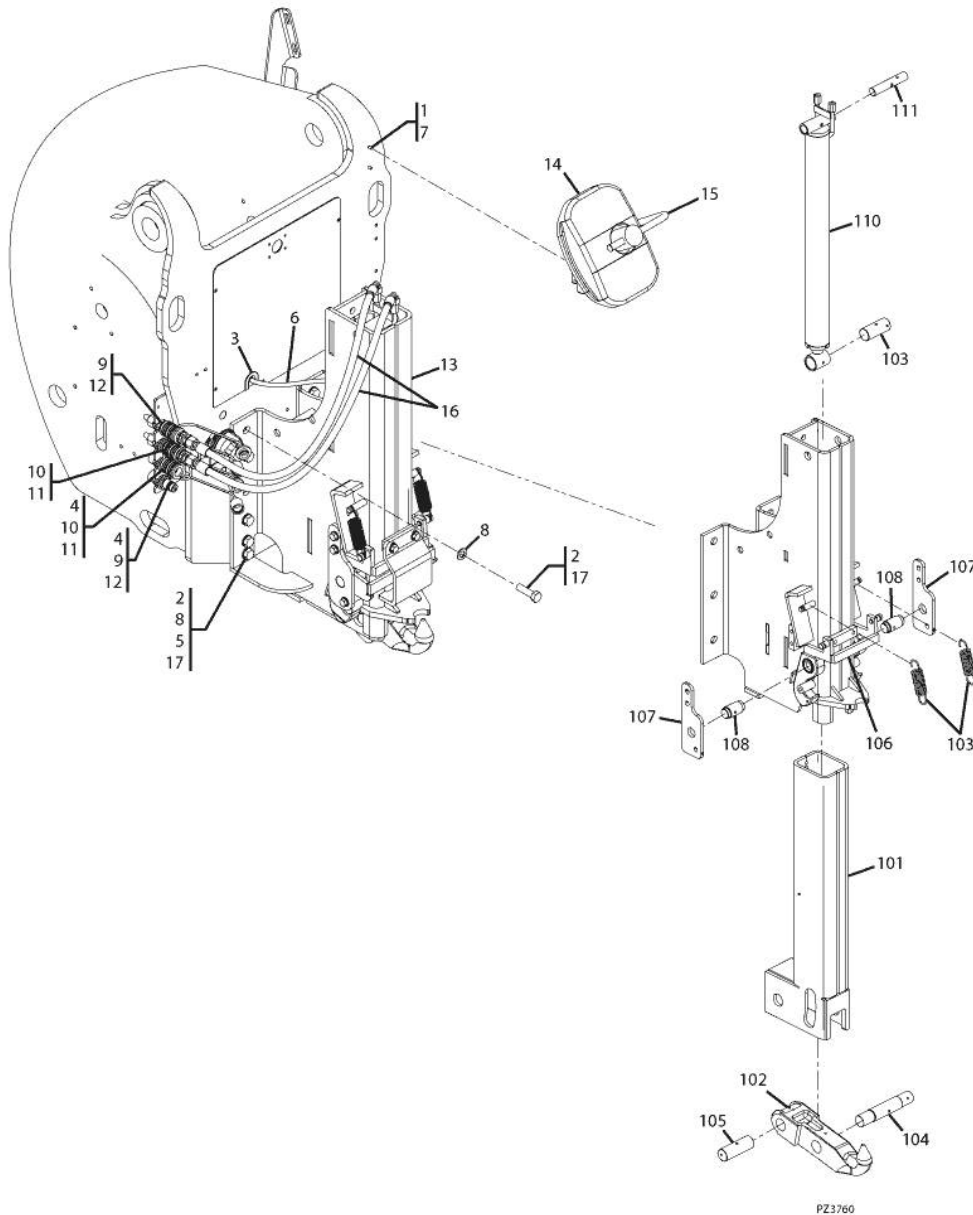


Fig.	P/n	QTY	Name
Notes: [Agrovector 35.7]			
0	0.000.0000.1		cannot be supplied HYDRAULIC HITCH INSTALLATION WITHOUT MIRROR (IF EQUIPPED) NOT AVAILABLE TO ORDER, SEE ITEMS 2 THRU 6, 8 THRU 13, 16 & 17 FOR SERVICE
1	0.900.0404.6	2	screw m 6 p.1x30 (35.7) (IF EQUIPPED)
2	0.900.1135.4	10	screw m 16 x 55, gr. 8.8
3	0.900.0799.9	1	rubber
4	0.900.0169.2	2	cap
5	0.900.0800.0	10	nut m 16 p.2
6	0.900.0799.8	1	cable
7	0.900.0201.2	2	washer 6, d128 (35.7) (IF EQUIPPED)
8	0.900.0201.6	20	washer 16
9	0.900.0905.4	2	cap
10	0.900.0905.6	2	cap
11	0.900.0905.3	2	pipe fitting FEMALE QUICK DISCONNECT COUPLING
12	0.900.0905.5	2	tube MALE QUICK DISCONNECT COUPLING
13	0.900.1140.1	1	hook kpl. INCLUDES ITEMS 101 THRU 111
14	0.900.1295.6	1	mirror
15	0.900.1295.7	1	support (35.7) (IF EQUIPPED)
16	0.900.1295.9	2	pipng
17	0.900.1137.7		loctite # 243
101	0.900.1296.3	1	support
102	0.900.1296.4	1	hook
103	0.900.1296.5	1	small pin
104	0.900.1296.6	1	small pin
105	0.900.1296.7	1	small pin
106	0.900.1296.8	1	support
107	0.900.1296.9	2	link
108	0.900.1297.0	2	small pin
109	0.900.1297.1	2	spring

Thank you so much for reading.
Please click the “Buy Now!”
button below to download the
complete manual.



After you pay.

You can download the most
perfect and complete manual in
the world immediately.

Our support email:

ebooklibonline@outlook.com