

Section: ENGINE ACCESSORIES
PUMPS AND ACCESSORIES

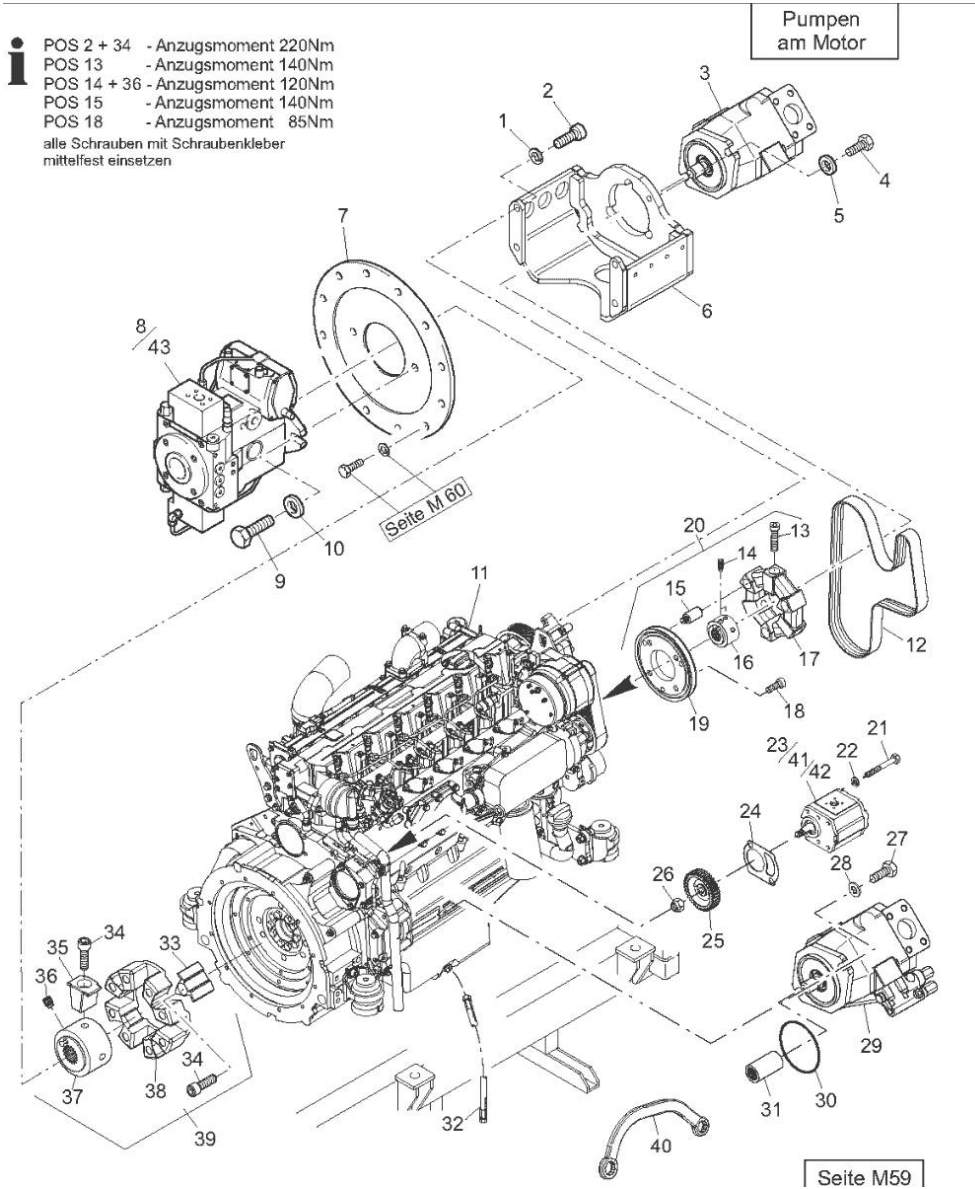


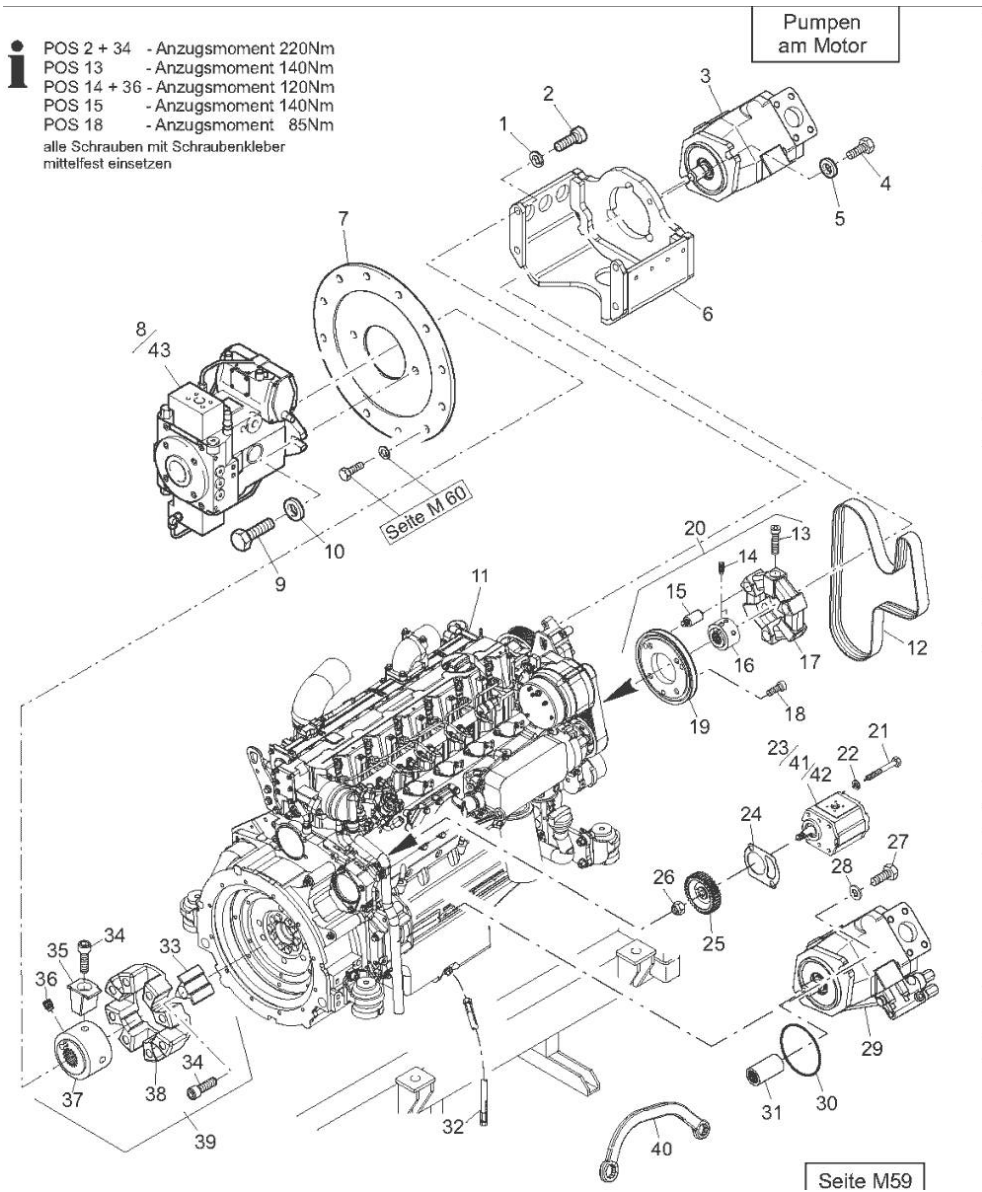
Fig.	P/n	QTY	Name
------	-----	-----	------

Notes:
 [Agrovitis 200]

1	0.902.0187.0	4	washer
2	0.902.0049.5	4	screw m 16 x 50
3	0.902.0015.0	1	oil pump
4	0.902.0051.2	2	screw m 16 x 45
5	0.902.0189.8	2	washer
6	0.902.0094.7	1	stand
7	0.902.0126.8	1	flange
8	0.902.0014.8	1	hydraulic pump
9	0.902.0062.9	4	screw m 20 x 45
10	0.902.0189.7	4	washer
11	0.902.0025.0	1	engine TCD 2012 L06-2V 147 kW / 197 HP
12	0.902.0224.6	1	pulley
13	0.902.0056.3	3	screw m 14 x 40
14	0.902.0213.1	2	pin
15	0.902.0015.6	3	pin
16	0.902.0154.7	1	hub
17	0.902.0015.6	1	pin
18	0.902.0057.4	4	screw m 12 x 25
19	0.902.0224.5	1	pulley
20	0.902.0129.0	1	joint
21	0.902.0055.1	2	screw m 12 x 1,5
22	0.902.0186.4	2	washer Ø 10
23	0.902.0014.7	1	pump
24	0.902.0131.7	1	gasket
25	0.902.0116.2	1	gear wheel
26	0.902.0114.3	1	nut
27	0.902.0048.3	2	screw m 12 x 30
28	0.902.0115.6	2	disc 12 x 29
29	0.902.0014.9	1	pump
30	0.902.0019.8	1	ring
31	0.902.0128.8	1	joint
32	0.902.0038.3	1	flexible hose ISN 12 x 700
33	0.902.0221.6	4	pieces
34	0.902.0055.9	8	screw m 16 x 50
35	0.902.0221.7	4	pieces
36	0.902.0211.2	2	pin
37	0.902.0154.6	1	hub
38	0.902.0121.1	1	element
39	0.902.0128.9	1	joint
40	0.902.0095.4	1	key 19 x 22

Section: ENGINE ACCESSORIES
PUMPS AND ACCESSORIES

Fig.	P/n	QTY	Name
41	0.902.0160.3	1	gasket set
42	0.902.0132.1	1	gasket
43	0.902.0007.3	1	ring



Section: ENGINE ACCESSORIES
FILTERS AND ACCESSORIES

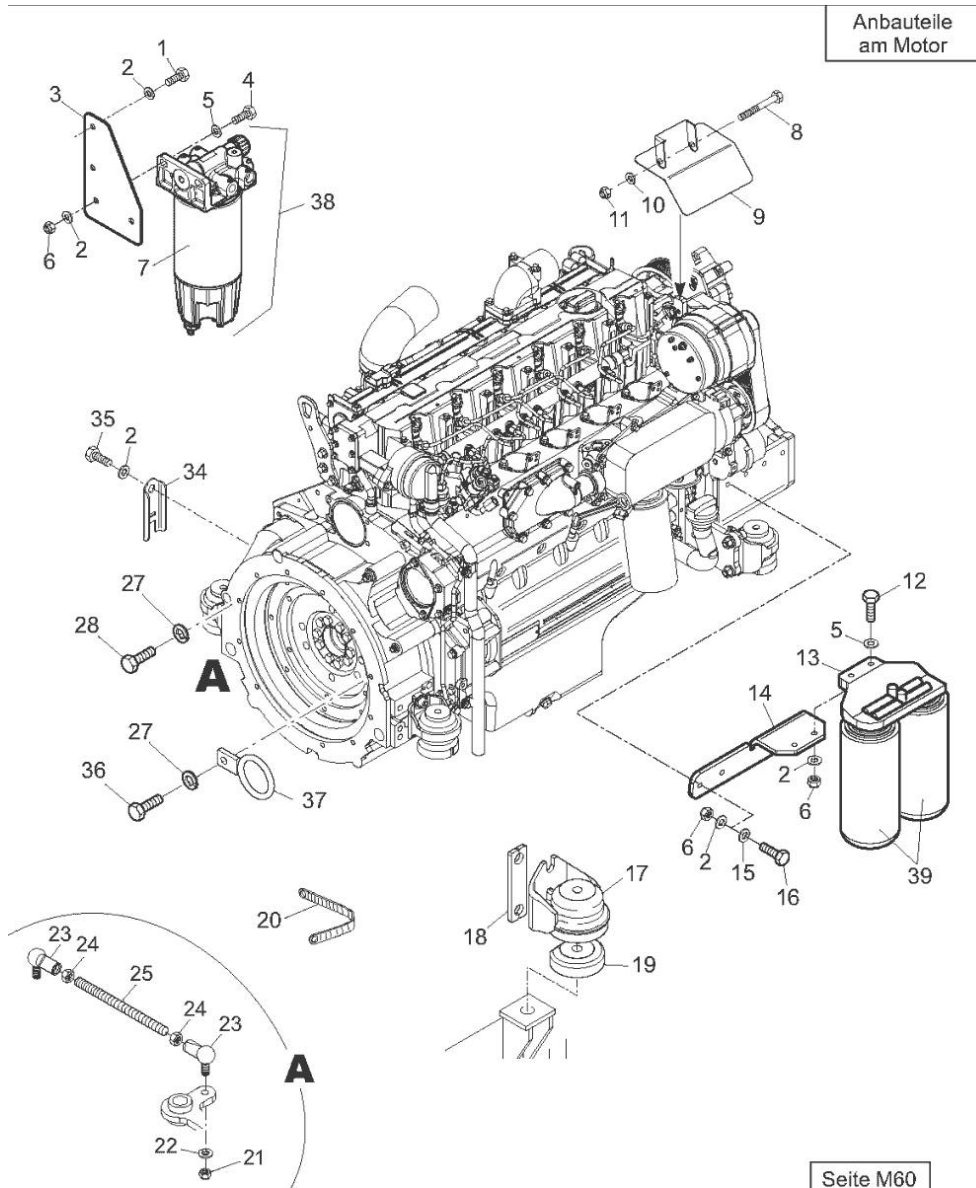


Fig.	P/n	QTY	Name
------	-----	-----	------

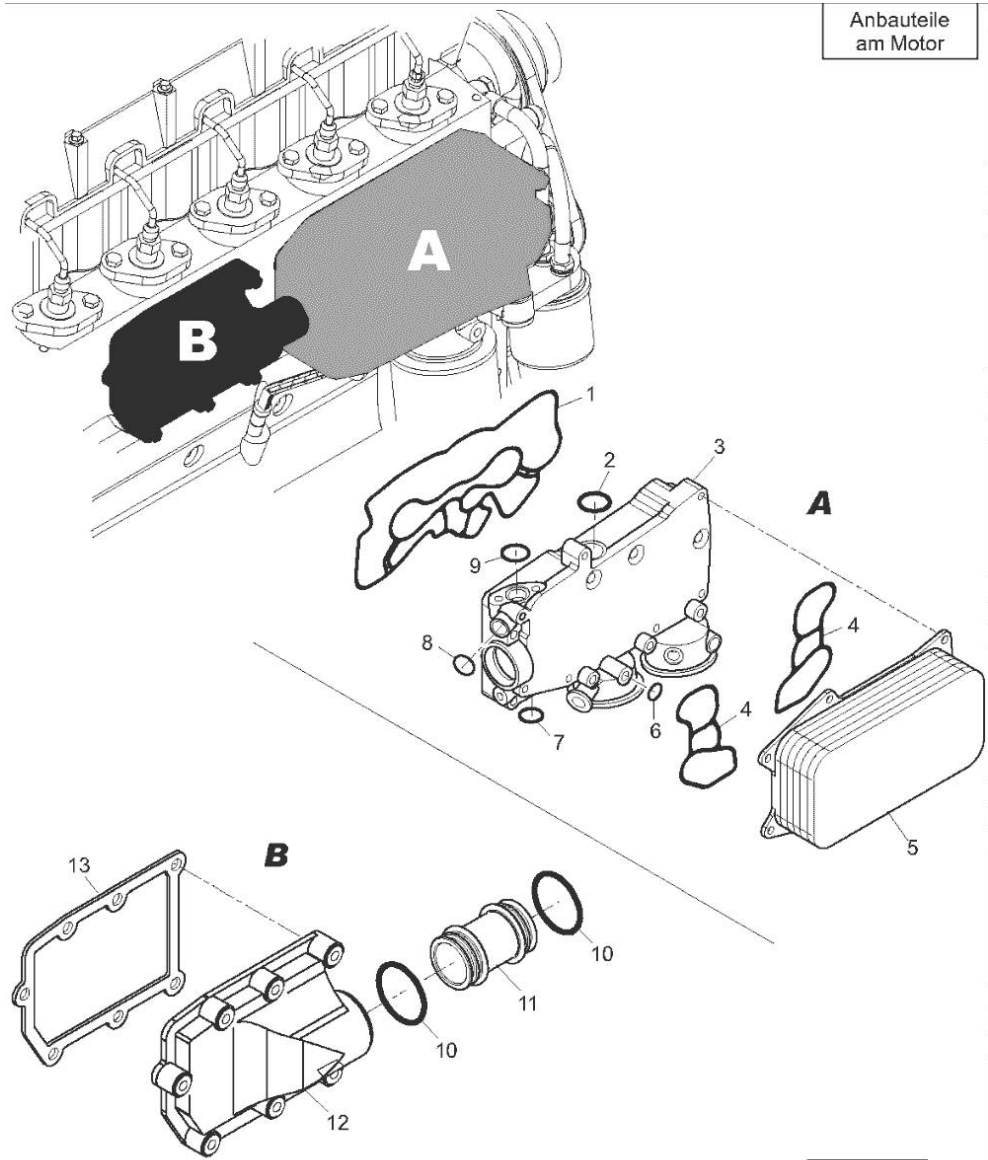
Notes:
 [Agrovitis 200]

1	0.902.0047.2	2	screw m 8 x 20
2	0.902.0001.1	11	washer Ø 8
3	0.902.0163.4	1	support
4	0.902.0054.1	2	screw m 8 x 30
5	0.902.0186.0	4	washer m 8
6	0.902.0001.4	6	nut m 8
7	0.902.0176.7	1	box
8	0.902.0062.8	1	screw m 10 x 95
9	0.902.0155.9	1	splash-guards
10	0.902.0185.9	1	washer m 10
11	0.902.0109.9	1	nut m 10
12	0.902.0059.3	2	screw m 8 x 40
13	0.902.0177.0	1	box
14	0.902.0163.3	1	support
15	0.902.0001.5	2	washer m 8
16	0.902.0048.1	2	screw m 8 x 35
17	0.902.0002.6	4	silent-block
18	0.902.0163.1	1	support
19	0.902.0013.3	4	plate
20	0.902.0154.2	2	band
21	0.902.0111.5	1	nut m 6
22	0.902.0186.6	1	washer m 6
23	0.902.0183.3	2	joint m 8
24	0.902.0111.4	2	nut m 6
25	0.902.0076.5	1	rod m 6 x 100
26	0.902.0001.6	2	screw m 10 x 35
27	0.902.0001.0	12	disc 10 x 23
28	0.902.0050.6	10	screw m 10 x 30
29	0.902.0113.0	1	nut
30	0.902.0171.4	1	support
31	0.902.0184.2	1	joint
32	0.902.0083.9	1	bush 12 x 14 x 20
33	0.902.0046.3	1	screw m 10 x 12 x 20
34	0.902.0141.3	5	plate
35	0.902.0047.8	5	screw m 8 x 16
36	0.902.0050.6	1	screw m 10 x 30
37	0.902.0155.2	1	eyelet
38	0.902.0176.9	1	box
39	0.902.0176.8	2	box

Seite M60

RADIATOR

Anbauteile
am Motor



Seite M60a

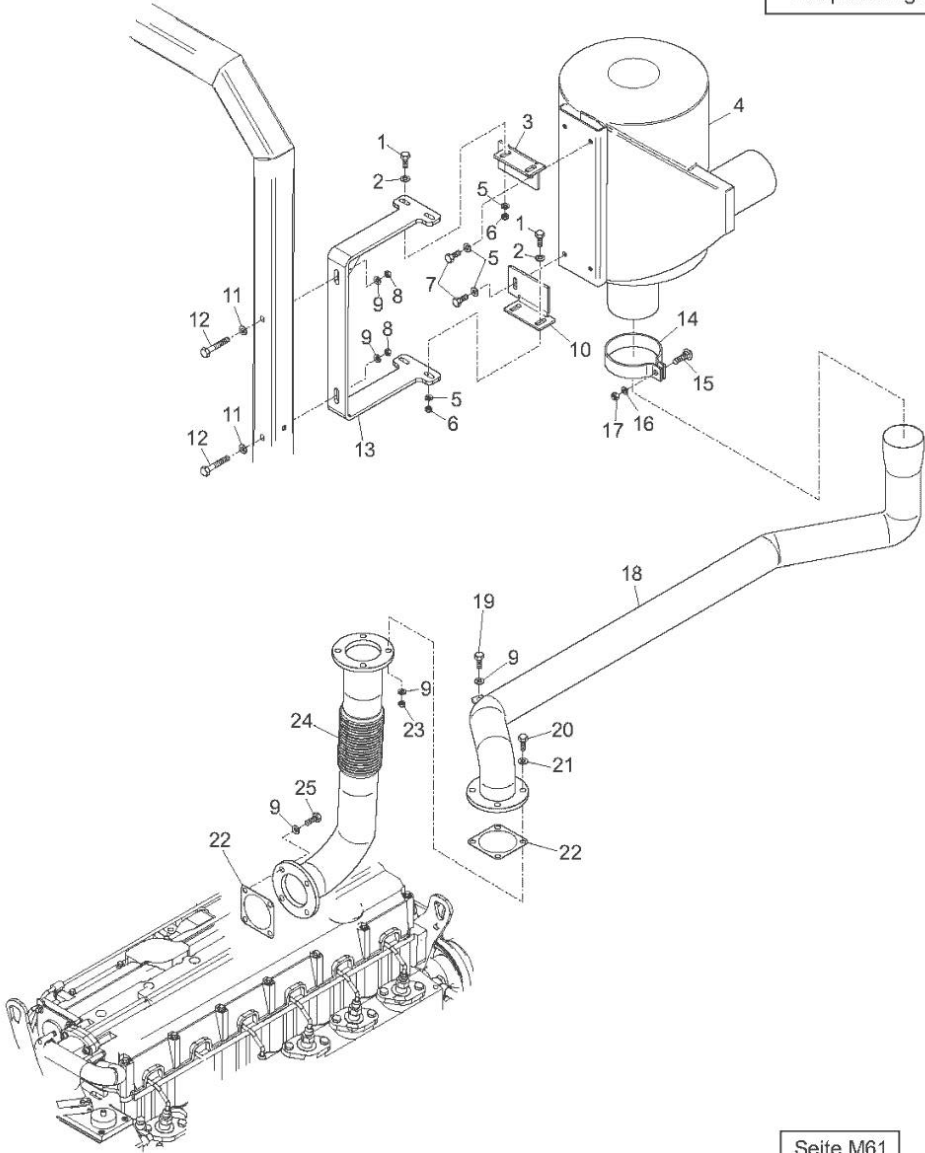
Fig.	P/n	QTY	Name
------	-----	-----	------

Notes:
[Agrovitis 200]

1	0.902.0132.6	1	gasket
2	0.902.0132.9	1	gasket
3	0.902.0176.6	2	box
4	0.902.0132.5	2	gasket
5	0.902.0199.5	1	radiator
6	0.902.0133.1	1	gasket
7	0.902.0133.0	1	gasket
8	0.902.0132.7	1	gasket
9	0.902.0132.8	1	gasket
10	0.902.0019.9	2	ring
11	0.902.0225.7	1	pieces
12	0.902.0100.0	1	cover
13	0.902.0132.4	1	gasket

Section: ENGINE ACCESSORIES
EXHAUST SYSTEM

Auspuffanlage



Seite M61

Fig.	P/n	QTY	Name
------	-----	-----	------

Notes:
[Agrovitis 200]

1	0.902.0054.1	4	screw m 8 x 30
2	0.902.0001.5	4	washer m 8
3	0.902.0168.2	1	support
4	0.902.0184.0	1	silencer
5	0.902.0001.1	8	washer Ø 8
6	0.902.0001.4	4	nut m 8
7	0.902.0047.2	4	screw m 8 x 20
8	0.902.0109.9	2	nut m 10
9	0.902.0001.0	8	disc 10 x 23
10	0.902.0168.1	1	support
11	0.902.0186.8	6	washer Ø 10
12	0.902.0053.0	2	screw m 10 x 90
13	0.902.0168.3	1	support
14	0.902.0124.2	1	clamp
15	0.902.0060.6	1	screw m 10 x 35
16	0.902.0186.4	5	washer Ø 10
17	0.902.0110.4	1	nut m 10
18	0.902.0161.0	1	silencer
19	0.902.0051.0	1	screw m 10 x 25
20	0.902.0050.8	4	screw m 10 x 40
21	0.902.0185.9	4	washer m 10
22	0.902.0132.3	2	gasket
23	0.902.0110.4	4	nut m 10
24	0.902.0160.9	1	silencer
25	0.902.0050.6	4	screw m 10 x 30

Section: ENGINE ACCESSORIES

AIR CLEANER

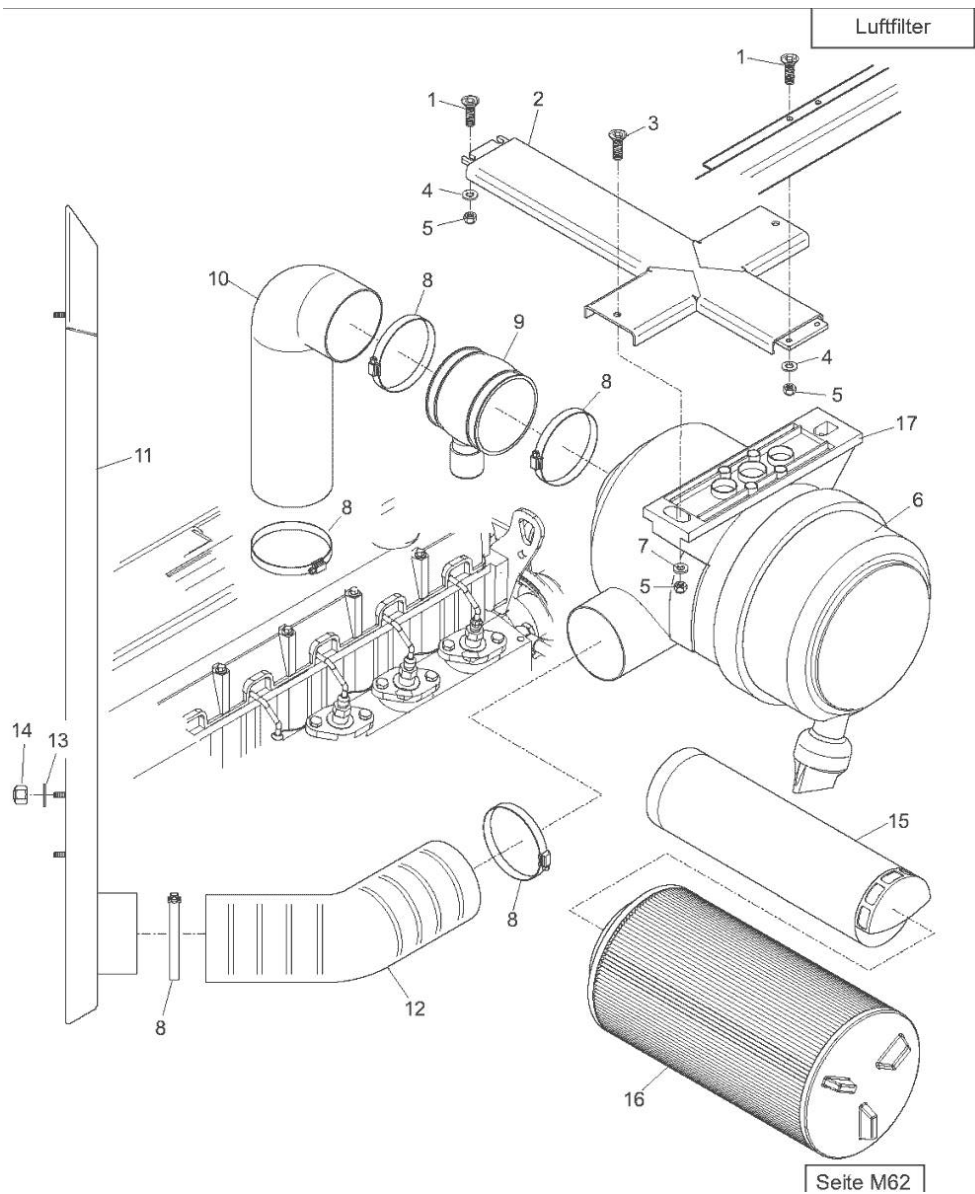


Fig.	P/n	QTY	Name
------	-----	-----	------

Notes:

[Agrovitis 200]

1	0.902.0053.1	4	screw m 8
2	0.902.0163.5	1	support
3	0.902.0060.1	2	screw
4	0.902.0001.1	4	washer Ø 8
5	0.902.0001.4	6	nut m 8
6	0.902.0125.8	1	filter
7	0.902.0186.0	2	washer m 8
8	0.902.0123.4	5	clamp
9	0.902.0097.6	1	threaded joint
10	0.902.0044.4	1	tube
11	0.902.0226.5	1	pit
12	0.902.0042.8	1	flexible hose
13	0.902.0186.6	4	washer m 6
14	0.902.0111.5	4	nut m 6
15	0.902.0089.7	1	element
16	0.902.0089.8	1	hydr.oil filter elem.
17	0.902.0161.8	1	support

Section: ENGINE ACCESSORIES

FUEL PIPES

Fig.	P/n	QTY	Name
------	-----	-----	------

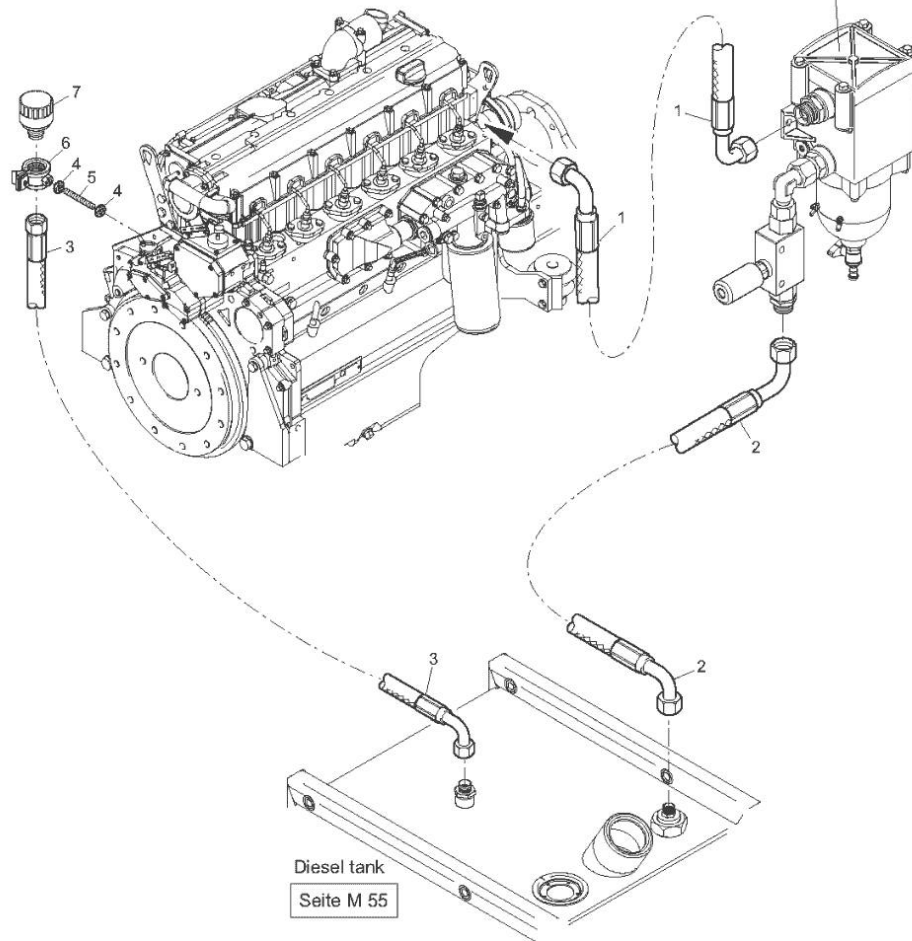
Notes:

[Agrovitis 200]

1	0.902.0042.6	1	flexible hose 1SN 12 x 350
2	0.902.0042.3	1	flexible hose 1SN 12 x 1100
3	0.902.0031.0	1	flexible hose 1SN 10 x 650
4	0.902.0110.1	2	nut m 8
5	0.902.0055.2	1	stud bolt m 8 x 15
6	0.902.0124.5	1	clamp Ø 21/23
7	0.902.0126.7	1	filter

Hydraulikleitungen
Kraftstoffpumpe / Filter

Seite M 59



Diesel tank
Seite M 55

Seite H78

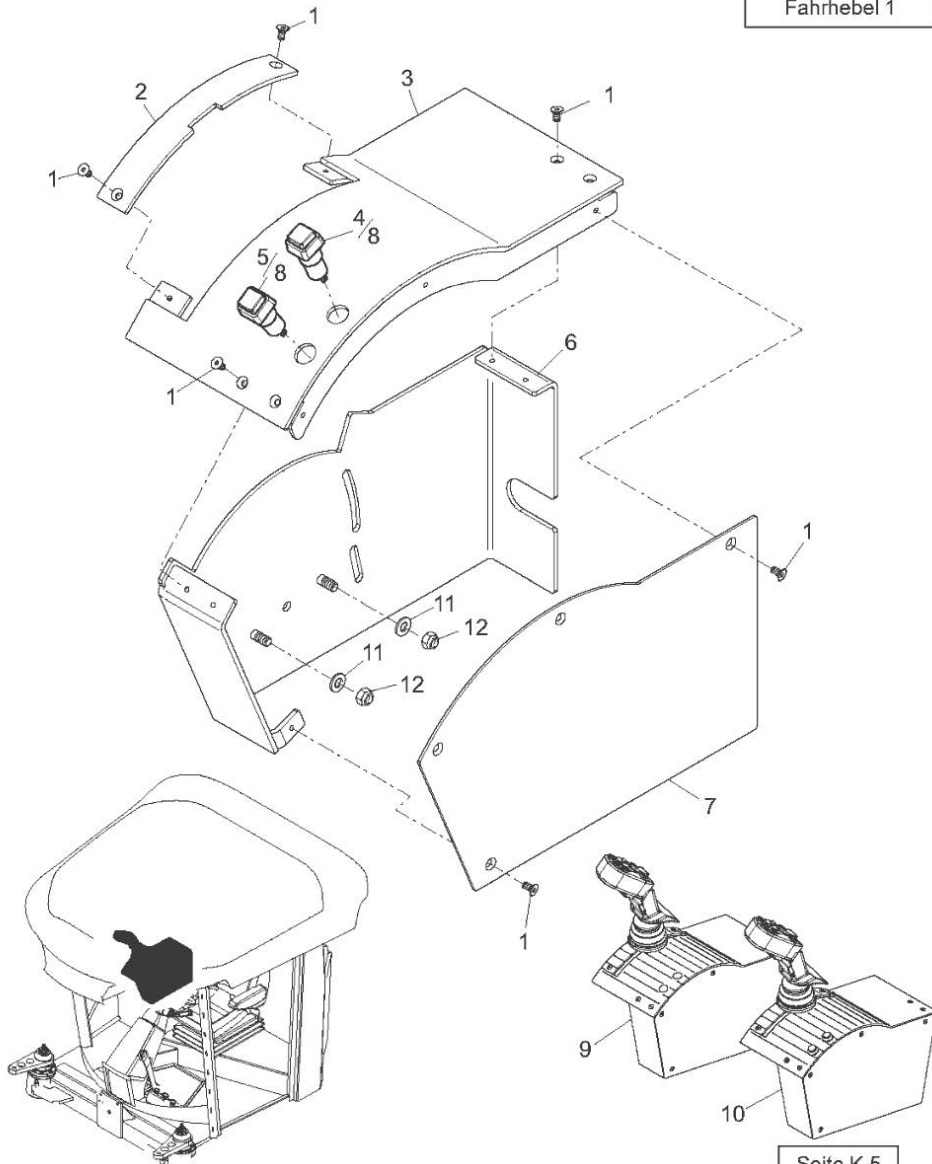
THROTTLE LEVER BOX

Fig.	P/n	QTY	Name
------	-----	-----	------

Notes:
[Agrovitis 200]

1	0.902.0064.7	10	screw
2	0.902.0131.4	1	plate
3	0.902.0103.3	1	cover
4	0.902.0231.3	1	button
5	0.902.0152.7	1	button
6	0.902.0177.3	1	box
7	0.902.0103.2	1	cover
8	0.902.0175.5	2	plug
9	0.902.0150.2	1	lever kpl. - W/O SLOPE SAFETY
10	0.902.0150.0	1	lever kpl. - W/ SLOPE SAFETY
11	0.902.0115.9	2	washer 6 x 14
12	0.902.0111.5	2	nut m 6

Fahrhebel 1



Seite K 5

Section: CAB

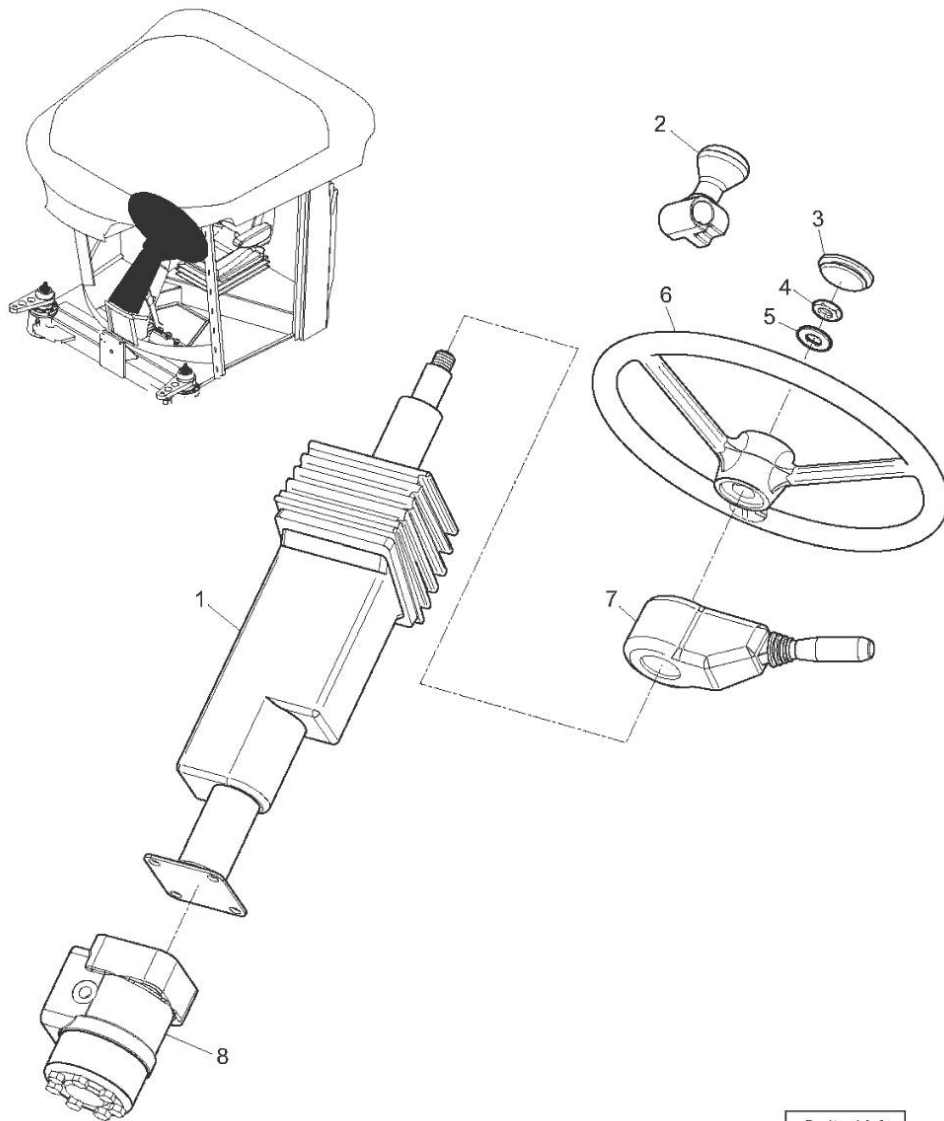
STEERING WHEEL

Lenkrad

Fig.	P/n	QTY	Name
------	-----	-----	------

Notes:
[Agrovitis 200]

1	0.902.0067.8	1	steering wheel
2	0.902.0015.1	1	knob
3	0.902.0224.1	1	push-button
4	0.902.0112.0	1	nut m 18
5	0.902.0189.1	1	washer m 18
6	0.902.0067.7	1	steering wheel
7	0.902.0231.5	1	switch
8	0.902.0131.6	1	power steering



Seite K 8

Section: CAB

BRAKE PEDAL

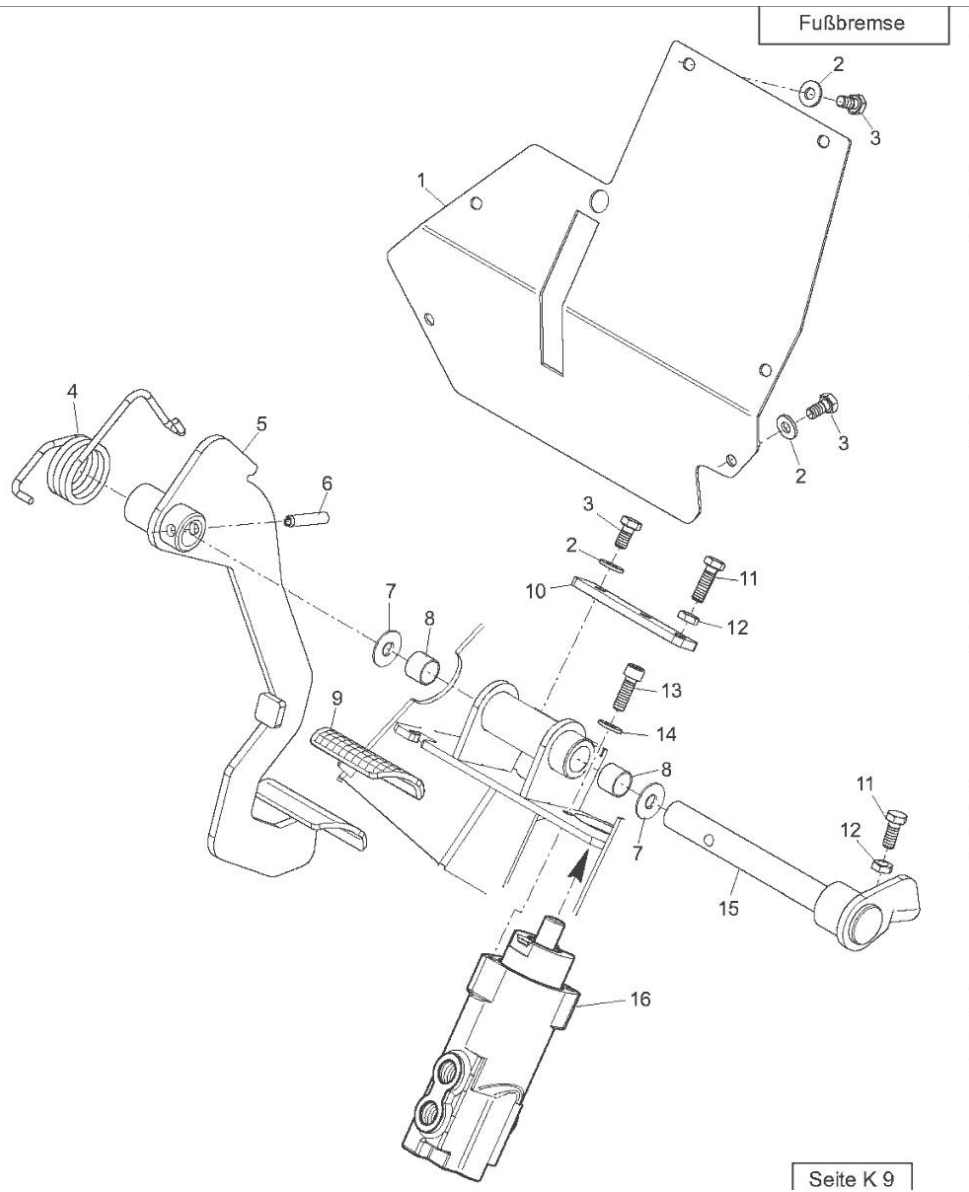


Fig.	P/n	QTY	Name
------	-----	-----	------

Notes:
[Agrovitis 200]

1	0.902.0145.7	1	plate
2	0.902.0001.1	8	washer Ø 8
3	0.902.0047.8	8	screw m 8 x 16
4	0.902.0022.1	1	spring
5	0.902.0156.8	1	pedal
6	0.902.0084.8	1	bush
7	0.902.0210.6	2	shoulder 20 x 23 x 20
8	0.902.0210.6	2	shoulder 20 x 23 x 20
9	0.902.0129.6	1	rubber
10	0.902.0145.6	1	plate
11	0.902.0048.1	2	screw m 8 x 35
12	0.902.0110.0	2	nut m 8
13	0.902.0065.8	2	screw m 8 x 20
14	0.902.0185.6	2	washer m 8
15	0.902.0004.9	1	shaft
16	0.902.0069.2	1	valve 125 bar

ACCELERATOR PEDAL

Fuß.- und Handgas

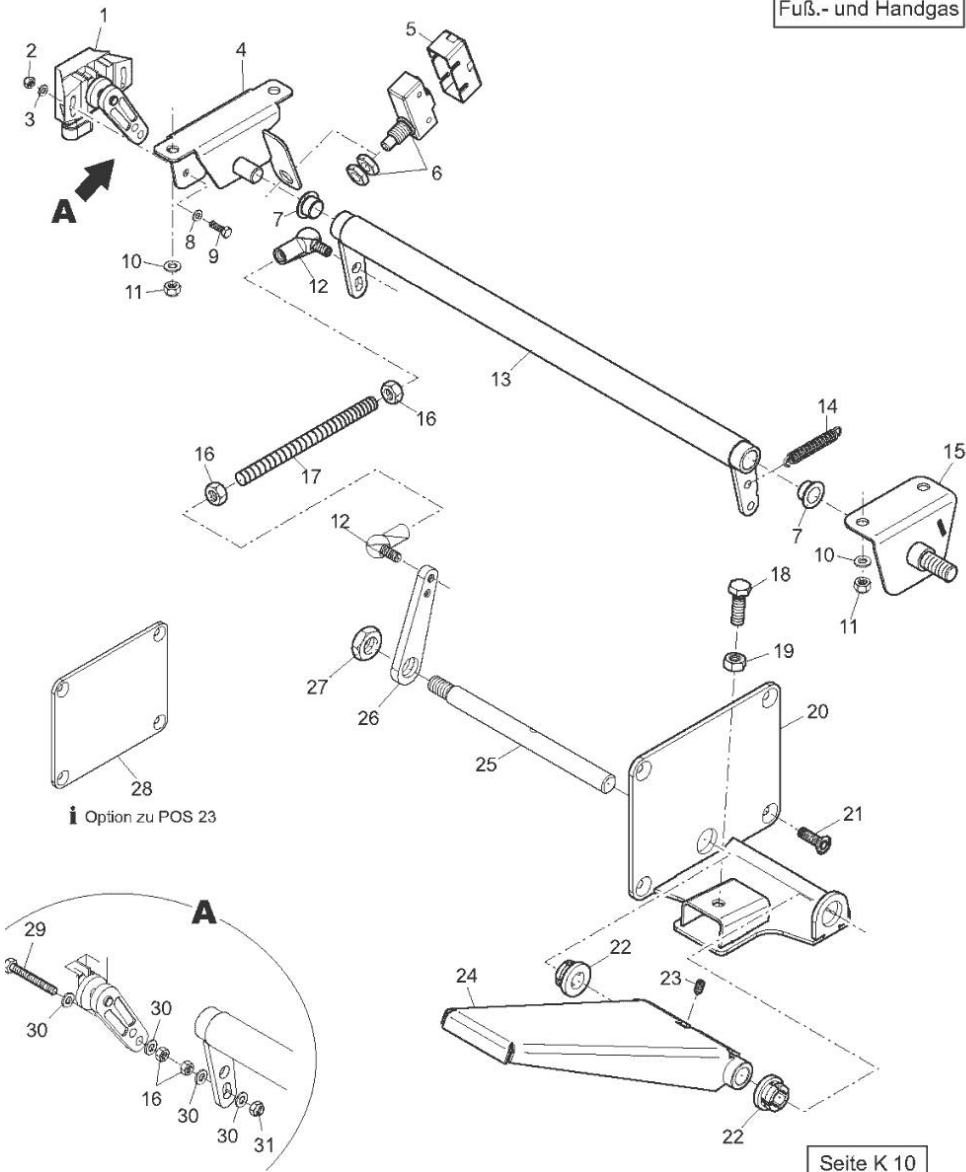


Fig.	P/n	QTY	Name
------	-----	-----	------

Notes:

[Agrovitis 200]

1	0.902.0177.8	1	sensor
2	0.902.0113.9	2	nut m 4
3	0.902.0187.9	2	washer m 4
4	0.902.0169.7	1	support
5	0.902.0099.2	1	cover
6	0.902.0125.2	1	contact surface
7	0.902.0108.0	2	bearing
8	0.902.0187.9	2	washer m 4
9	0.902.0064.5	2	screw m 4 x 16
10	0.902.0001.1	4	washer Ø 8
11	0.902.0001.4	4	nut m 8
12	0.902.0183.3	2	joint m 8
13	0.902.0005.1	1	shaft
14	0.902.0021.4	1	spring
15	0.902.0169.8	1	support
16	0.902.0111.4	4	nut m 6
17	0.902.0079.4	1	rod
18	0.902.0001.9	1	screw m 8 x 25
19	0.902.0110.0	1	nut m 8
20	0.902.0014.4	1	plate
21	0.902.0057.9	4	screw
22	0.902.0108.5	2	bearing
23	0.902.0212.1	1	pin
24	0.902.0156.9	1	pedal
25	0.902.0005.0	1	shaft
26	0.902.0149.7	1	lever
27	0.902.0113.0	1	nut
28	0.902.0156.3	1	panel
29	0.902.0066.3	1	screw m 6 x 45
30	0.902.0186.6	4	washer m 6
31	0.902.0111.5	1	nut m 6

Seite K 10

Thank you so much for reading.
Please click the “Buy Now!”
button below to download the
complete manual.



After you pay.

You can download the most
perfect and complete manual in
the world immediately.

Our support email:

ebooklibonline@outlook.com