

Section: ENGINE
CRANK CASE

| Fig. | P/n | QTY | Name |
|------|-----|-----|------|
|------|-----|-----|------|

Notes:
 [AgroXtra 4.57]

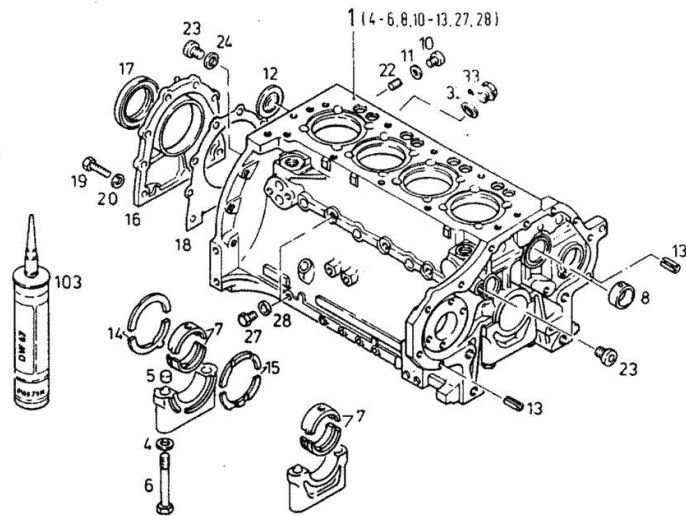
| | | | |
|----|----------|----|--|
| 1 | 04156252 | 1 | crankcase ORDER FROM PICTURE NO. 4-6,8, 10-13,27,28,32,33. |
| 4 | 01216107 | 10 | washer 15x23x1,5 H 002308-15 X23X1,5 |
| 5 | 04160764 | 10 | bushing |
| 6 | 04156058 | 10 | screw |
| 7 | 03362379 | 5 | bearing UNDERSIZE STEP SEE ITEM 950-955 |
| 8 | 02139737 | 1 | bushing |
| 10 | 01110422 | 5 | screw DIN 000908-M12X1,5-ST |
| 11 | 01118673 | 5 | oil seal DIN 007603-A 12 X 15,5-CU |
| 12 | 01216240 | 1 | disc |
| 13 | 01167266 | 2 | bush H 002341-B11X16 |
| 14 | 02230181 | 1 | shim OVERSIZE SEE ITEM 956-959 |
| 15 | 02230170 | 1 | shim OVERSIZE SEE ITEM 960-963 |
| 16 | 02234870 | 1 | cover |
| 17 | 04230392 | 1 | special oil seal |
| 18 | 03362337 | 1 | gasket |
| 19 | 01112322 | 8 | screw m 8 p.1.25 x 20 ISO 004017-M 8 X 20 - 8.8-A4C |
| 20 | 01107101 | 8 | washer 8.4 DIN 000125-A 8,4-140HV-A4C |
| 22 | 01215235 | 5 | plug |
| 23 | 04159934 | 2 | screw |
| 24 | 04159935 | 1 | oil seal |
| 27 | 01118998 | 2 | screw DIN 007604-CM10X1 -ST-A4C |
| 28 | 01118659 | 2 | oil seal DIN 007603-A 10 X 13,5-CU |
| 32 | 01118760 | 1 | gasket 26x31 DIN 007603-A 26 X 31 -CU |
| 33 | 01118985 | 1 | screw am26x1,5 d7604 |



Kurbelgehäuse
 Crankcase
 Carter
 Cárter

0150 - 01-0506 3047

1



Section: ENGINE
CRANK CASE

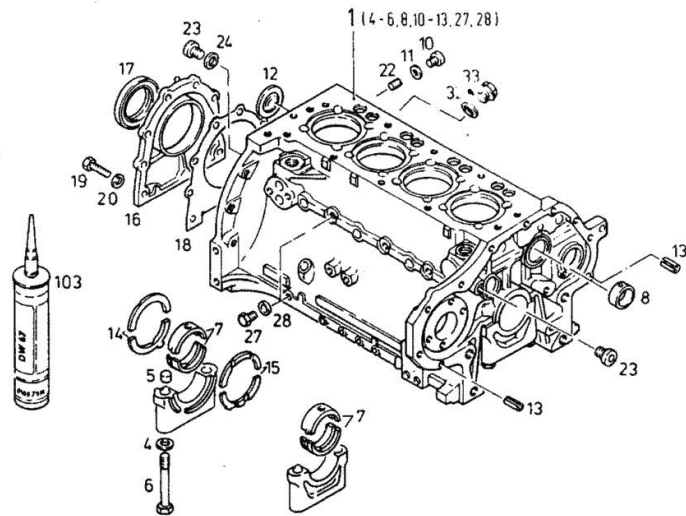
| Fig. | P/n | QTY | Name |
|------|----------|-----|---|
| | | | DIN 007604-AM26X1,5 -ST-ZNPHR F |
| 103 | 01016120 | 1 | compound 1 kg |
| | | | H 000699-DEUTZ DW 47- 310 ML |
| 950 | 03362380 | 5 | bearing 1.UNDERSIZE STEP 69.75 MMRD (2,7459 IN.) |
| 951 | 03362381 | 5 | bearing 2.UNDERSIZE STEP 69.50 MMRD (2,7362 IN.) |
| 952 | 03362382 | 5 | bearing 3.UNDERSIZE STEP 69.25 MMRD (2,7263 IN.) |
| 953 | 03362383 | 5 | bearing 4.UNDERSIZE STEP 69.00 MMRD (2,7165 IN.) |
| 954 | 03362384 | 5 | bearing 5.UNDERSIZE STEP 68.75 MMRD (2,7066IN.) |
| 955 | 03362385 | 5 | bearing 6.UNDERSIZE STEP 68.50 MM RD (2,6968 IN.) |
| 956 | 02230182 | 1 | shim 1.OVERSIZ STEP 3.25 MM (0,1279 IN.) |
| 957 | 02230183 | 1 | shim 2.OVERSIZ STEP 3.50 MM (0,1378 IN.) |
| 958 | 02230184 | 1 | shim 3.OVERSIZ STEP 3.75 MM (0,1476 IN.) |
| 959 | 02230185 | 1 | shim 4.OVERSIZ STEP 4.00 MM (0,1575 IN.) |
| 960 | 02230172 | 1 | shim 1.OVERSIZ STEP 3.25 MM (0,1279 IN.) |
| 961 | 02230173 | 1 | shim 2.OVERSIZ STEP 3.50 MM (0,1378 IN.) |
| 962 | 02230174 | 1 | shim 3.OVERSIZ STEP 3.75MM (0,1476 IN.) |
| 963 | 02230175 | 1 | shim |



Kurbelgehäuse
 Crankcase
 Carter
 Cárter

0150 - 01-0506 3047

1



Section: ENGINE
CRANK CASE

| Fig. | P/n | QTY | Name |
|------|-----|-----|------|
|------|-----|-----|------|

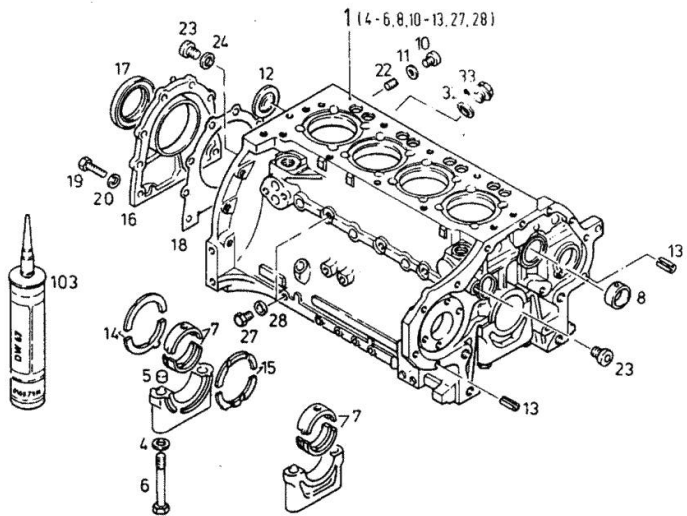
4.OVERSIZE STEP 4.00MM
 (0,1575 IN.)



Kurbelgehäuse
 Crankcase
 Carter
 Cárter

0150 - 01-0506 3047

1



Section: ENGINE

BLANKING PARTS

| Fig. | P/n | QTY | Name |
|------|-----|-----|------|
|------|-----|-----|------|

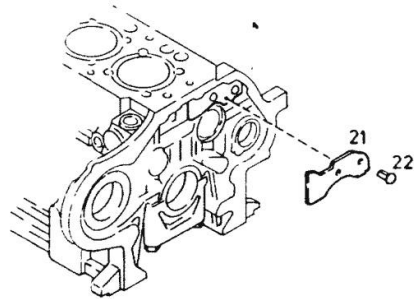
Notes:
[AgroXtra 4.57]

| | | | |
|-----|----------|---|--|
| 21 | 02231082 | 1 | plate UP TO MOTOR NO. (A) FROM ENGINE NO. SEE ITEM (B) |
| 22 | 01115333 | 2 | self tapping screw ISO 008746- 6 X10-ST -A4C |
| 950 | 04156862 | 1 | plate UP TO MOTOR NO. (A) FROM ENGINE NO. SEE ITEM (B) |



Verschlußteile
Locking parts
Pieces de fermeture
Partes de cierre

0150—01—504 2845



Section: ENGINE

ACCESSORIES

| Fig. | P/n | QTY | Name |
|------|-----|-----|------|
|------|-----|-----|------|

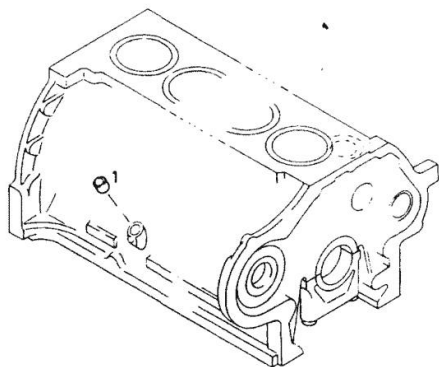
Notes:
[AgroXtra 4.57]

| | | | |
|---|----------|---|-------------------------|
| 1 | 01167269 | 1 | bush H 002341-B13X14 |
|---|----------|---|-------------------------|



Anbauteile
Attachments
Accessories
Partes de adosamiento

0150-01-504 2878



Section: ENGINE

IDLER BEARING

| Fig. | P/n | QTY | Name |
|------|-----|-----|------|
|------|-----|-----|------|

Notes:

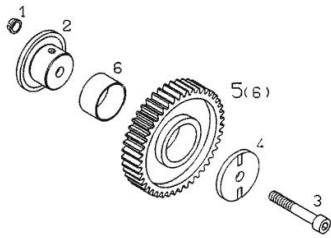
[AgroXtra 4.57]

| | | | |
|---|----------|---|------------------------------|
| 1 | 04156283 | 1 | bush |
| 2 | 04156285 | 1 | journal |
| 3 | 02234177 | 1 | screw |
| 4 | 04154593 | 1 | washer |
| 5 | 04154591 | 1 | gear wheel WITH ITEM |
| 6 | 04154590 | 1 | 6, bushing |



ZWISCHENRAUHLAGERUNG
- IDLER GEAR BEARING
TOURILLON DE PIGNON INTERMEDIAIRE
SOPORTE PARA RUEDA INTERMEDIA

0150 -01- 0506 4563



Section: ENGINE
FRONT COVER

| Fig. | P/n | QTY | Name |
|------|-----|-----|------|
|------|-----|-----|------|

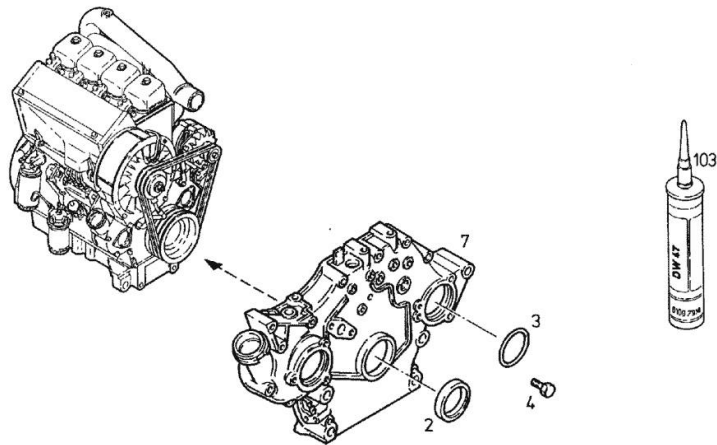
Notes:
 [AgroXtra 4.57]

| | | | |
|-----|----------|---|--|
| 2 | 04154144 | 1 | special oil seal |
| 3 | 01180084 | 1 | oil seal H 002927- 82 X 3,15K -MVQ-1-5 0 |
| 4 | 01102396 | 1 | screw ISO 004017-M 8 X 8 - 8.8-A4C |
| 7 | 04158417 | 1 | cover |
| 103 | 01016120 | 1 | compound 1 kg H 000699-DEUTZ DW 47- 310 ML |



Vorderer Deckel
 Front cover
 Couvercle avant
 Tapa delantera

0150-01-0506 4299



Section: ENGINE

FASTENINGS

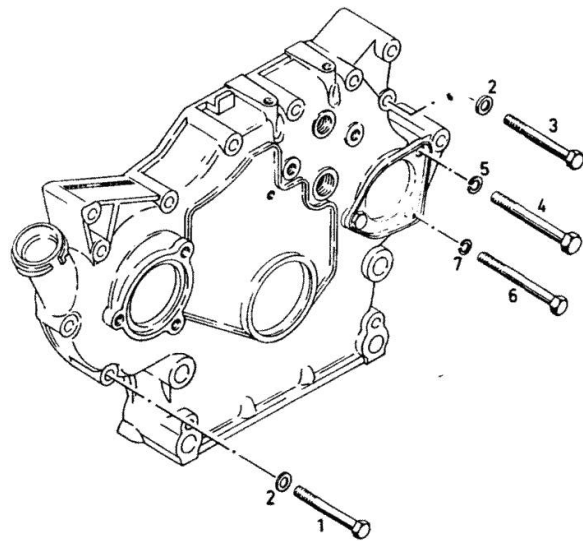
| Fig. | P/n | QTY | Name |
|----------------------------------|----------|-----|--|
| Notes: [AgroXtra 4.57] | | | |
| 1 | 01127046 | 1 | screw m 8 x 60 ISO 004017-M 8 X 60 - 8.8-A4C |
| 2 | 01107101 | 3 | washer 8.4 DIN 000125-A 8,4-140HV-A4C |
| 3 | 01111179 | 2 | screw m 8 x 70, d931 ISO 004014- M 8 X 70 - 8.8-A4 C |
| 4 | 01111336 | 1 | screw m 10 x 75 DIN 000931- M10 X 75 - 8.8-A4 C |
| 5 | 01102800 | 1 | washer 10.2 DIN 000128-A 10 -FST -A4C |
| 6 | 01122399 | 1 | screw ISO 004014- M 8 X 85 - 8.8-A4 C |
| 7 | 01102799 | 1 | washer 8, d128 DIN 000128-A 8 -FST -A4C |



Befestigungsteile
Fastening parts
Pièces de fixation
Partes de fijación



0150-01-500 6842



Section: ENGINE

BLANKING PARTS

| Fig. | P/n | QTY | Name |
|------|-----|-----|------|
|------|-----|-----|------|

Notes:

[AgroXtra 4.57]

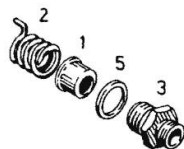
| | | | |
|---|----------|---|--------------------------------------|
| 1 | 02135019 | 1 | tube |
| 2 | 02237638 | 1 | spring |
| 3 | 02234350 | 1 | vent |
| 5 | 01118750 | 1 | oil seal DIN 007603-A 24 X 30 -AL |



Verschluss-teile
Locking parts
Pièces de fermeture
Partes de cierre



0150-01-503 0825



Section: ENGINE

SEALING COVER FOR INJECTION TIMING GEAR

| Fig. | P/n | QTY | Name |
|------|-----|-----|------|
|------|-----|-----|------|

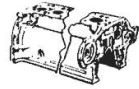
Notes:

[AgroXtra 4.57]

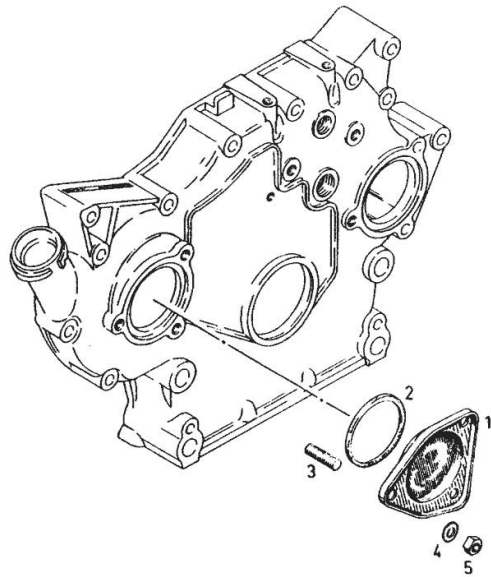
| | | | |
|---|----------|---|---|
| 1 | 04152404 | 1 | cover |
| 2 | 01166110 | 1 | ring H 002927- 80 X 3 -NBR-1-60 |
| 3 | 01178540 | 3 | screw H 002091- 835-M 8 X 16- 8.8-A 4C-MK-1,5D-BL |
| 4 | 01216143 | 3 | ring |
| 5 | 01112824 | 3 | nut m 8, d934 ISO 004032-M 8 - 8-A4C |



Verschlußdeckel für Spritzversteller
Cover for advance/retard unit
Couvercle pour avance automatique
Tapa de cierre para graduador de avance de inyección



0150-01-500 3331



Section: ENGINE
ACCESSORIES

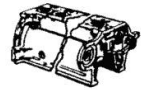
| Fig. | P/n | QTY | Name |
|------|-----|-----|------|
|------|-----|-----|------|

Notes:
 [AgroXtra 4.57]

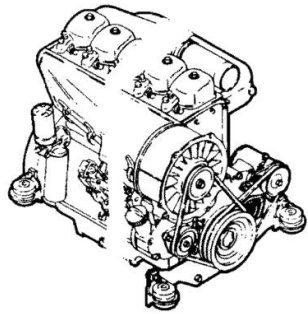
| | | | |
|---|----------|---|-------|
| 1 | 02235014 | 1 | cover |
|---|----------|---|-------|



Anbauteile
 Attachments
 Accessoires
 Partes de adosamiento



0150-01-503 2468



Thank you so much for reading.
Please click the “Buy Now!”
button below to download the
complete manual.



After you pay.

You can download the most
perfect and complete manual in
the world immediately.

Our support email:

ebooklibonline@outlook.com