

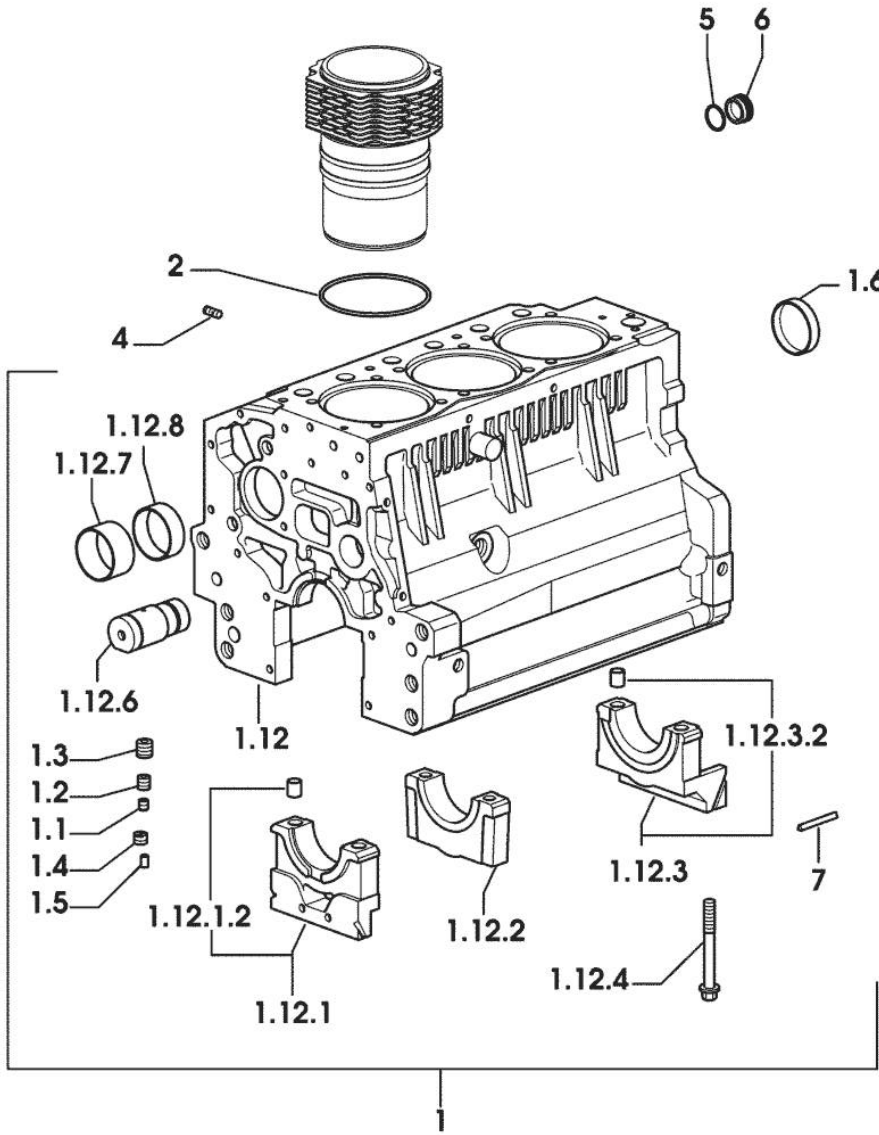
Section: ENGINE  
CRANKCASE

9\_34811\_00\_0\_A

Fig.	P/n	QTY	Name
------	-----	-----	------

Notes:  
[ARGON 75 F]

1	0.007.1150.6/10	1	crankcase
1.1	2.3130.001.1	9	plug 1/8" gas
1.2	2.3130.002.1	2	plug 1/4" gas
1.3	2.3130.003.1	7	plug 3/8" gas
1.4	2.1324.011.0	1	plug
1.5	2.3199.092.0	3	plug 8 x 12
1.6	2.3179.012.0	1	plug 60
1.12	0.000.0000.1		cannot be supplied
1.12.1	0.065.1112.7	1	support
1.12.1.2	2.1699.165.0	1	bush 12.3x15x16
1.12.2	0.065.1114.0/10	2	support
1.12.3	0.065.1116.3	1	support
1.12.3.2	2.1699.165.0	1	bush 12.3x15x16
1.12.4	0.065.1117.0	8	screw m 12 x 100
1.12.6	0.066.1151.0	1	pin
1.12.7	0.065.1141.0	1	special bushing 59X55X30
1.12.8	0.065.1140.0	3	special bushing 59X55X20
2	2.1539.130.0/10	3	special oil seal 117.07x3.53
4	2.0432.003.7	9	stud bolt m 8 p.1.25 / p.1 x 20
5	2.1532.072.0	1	oil seal 26.70x1.78
6	2.3199.405.2	1	plug m 28 p.1.5
7	0.066.1152.0/10	4	gasket



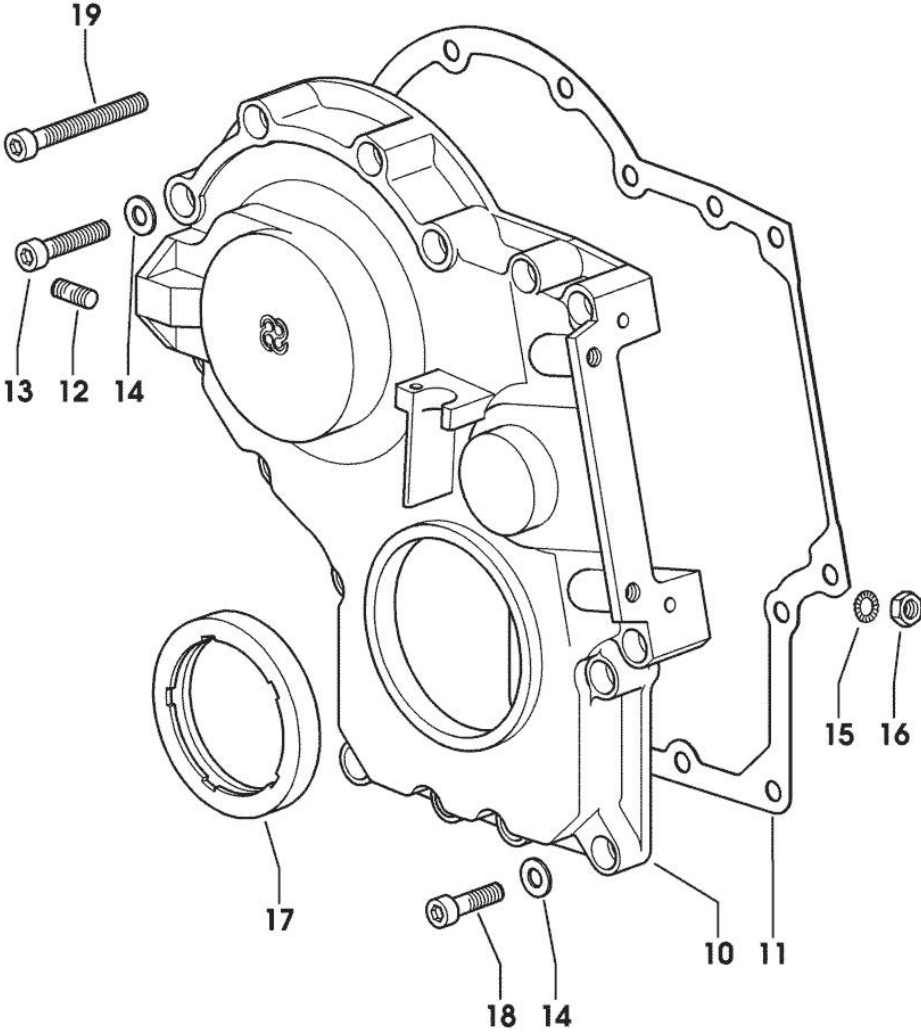
9\_34811\_00\_0\_B

Section: ENGINE  
TIMING CASE

Fig.	P/n	QTY	Name
------	-----	-----	------

Notes:  
[ARGON 75 F]

10	0.013.4981.0	1	guard
11	0.065.1150.0/30	1	gasket
12	2.0432.003.7	2	stud bolt m 8 p.1.25 / p.1 x 20
13	2.0312.214.2	3	screw m 8 p.1.25 x 40
14	2.1480.014.1	15	washer 8
15	2.1470.004.2	4	lock washer 8
16	2.1011.405.2	2	nut m 8 p.1
17	2.1529.141.0	1	special oil seal
18	2.0312.208.2	8	screw m 8 p.1.25 x 25
19	2.0312.219.2	4	screw m 8 p.1.25x65

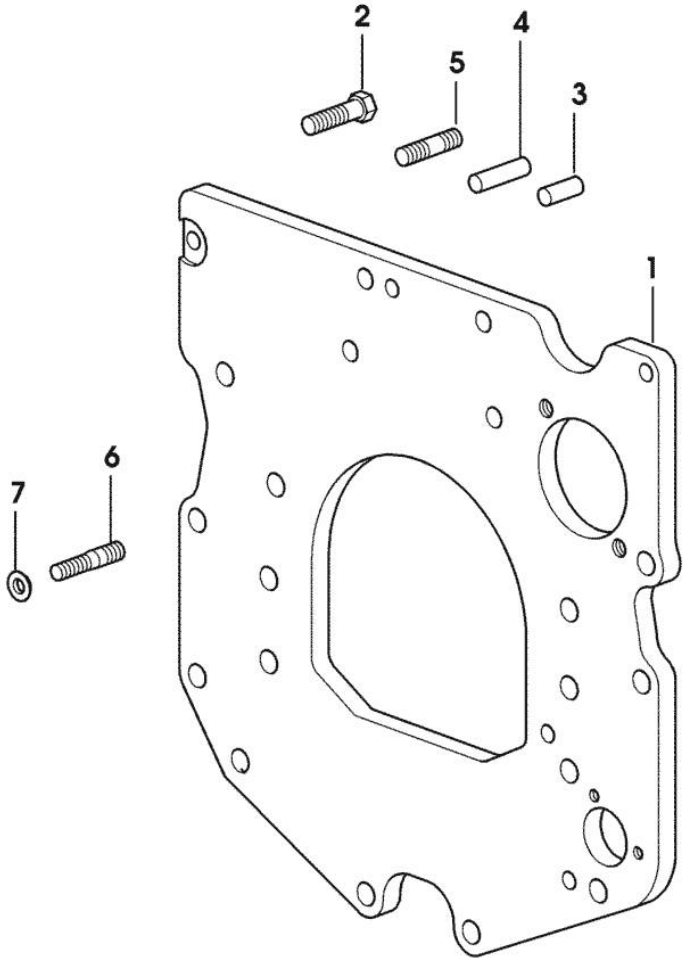


**MONOBLOC ENGINE-GEARBOX CONNECTING FLANGE**

Fig.	P/n	QTY	Name
------	-----	-----	------

Notes:  
[ARGON 75 F]

1	0.007.1882.0/50	1	flange
2	2.0112.511.2	8	screw m 14 p.2 x 30
3	2.1651.912.0	2	cylindrical plug 12x28
4	2.1651.917.0	1	cylindrical plug 12x40
5	2.0432.257.7	1	stud bolt m 12 p.1.75 - 1.25 x 30
6	2.0439.250.7	1	stud bolt m 12 / m 10 x 30
7	0.011.9294.0/10	1	bush



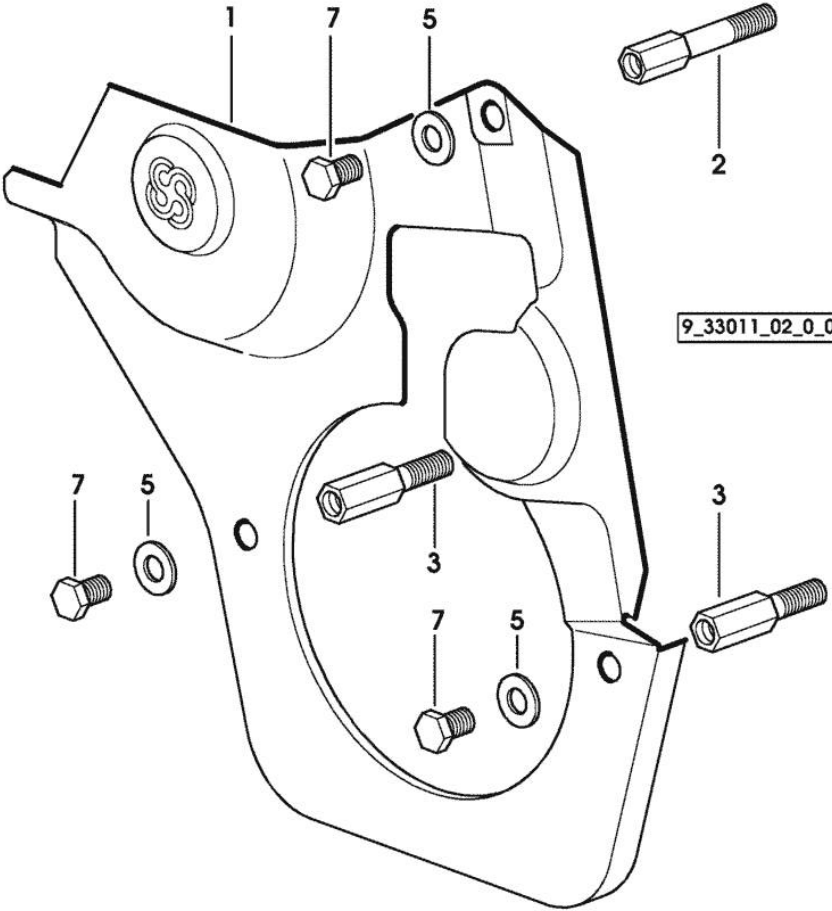
9\_38611\_01\_0\_0

**GUARD PLATE**

Fig.	P/n	QTY	Name
------	-----	-----	------

Notes:  
[ARGON 75 F]

1	0.007.1262.3/50	1	guard
2	0.007.1271.0/10	1	small column m 8 p.1.25 / L = mm 60
3	0.007.1272.0/10	2	small column m 8 p.1.25 / L = mm 50
5	2.1310.004.2	3	flat washer 8.4x17
7	2.0112.203.2	3	screw m 8 p.1.25 x 12



Section: ENGINE  
**CRANKSHAFT**

9\_34812\_00\_0\_0

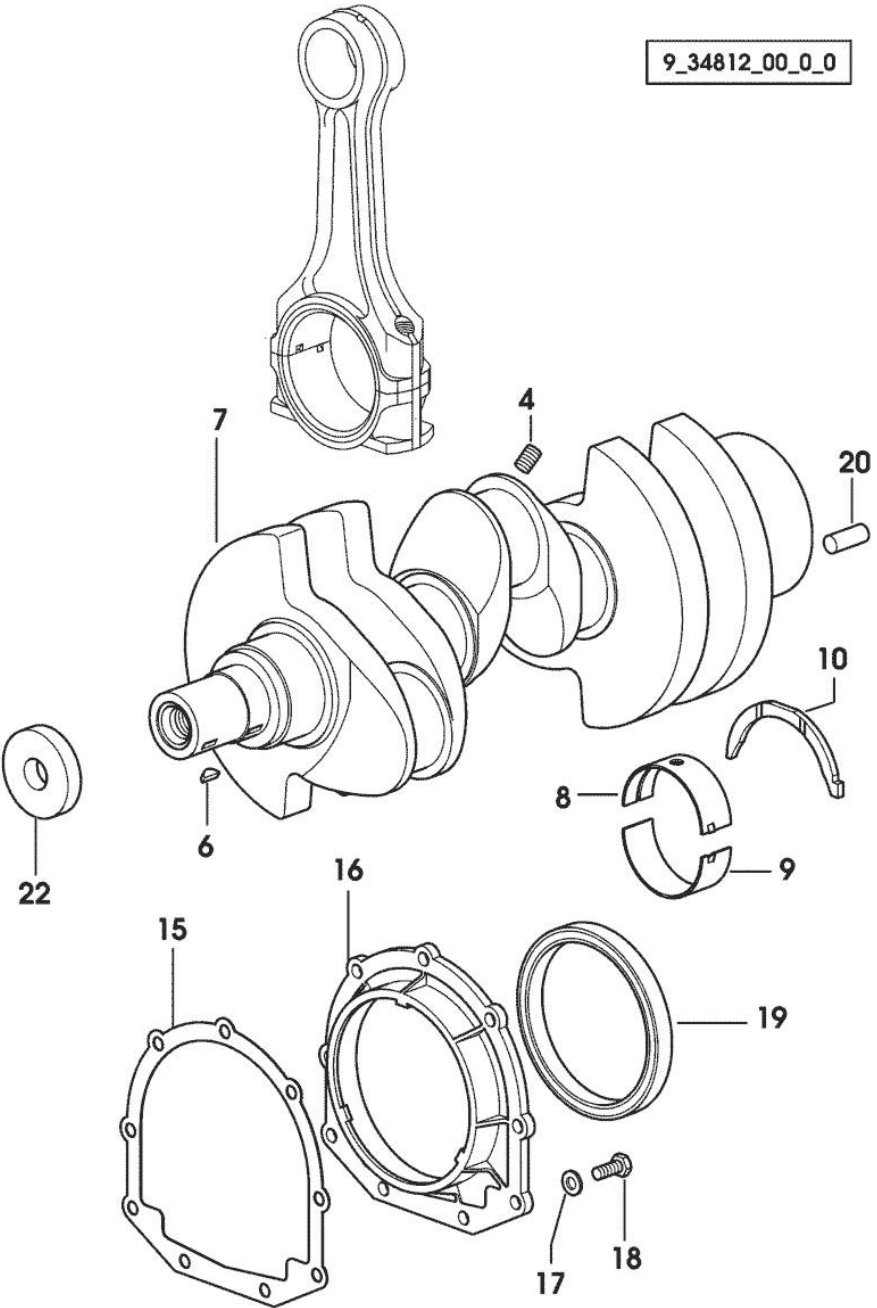


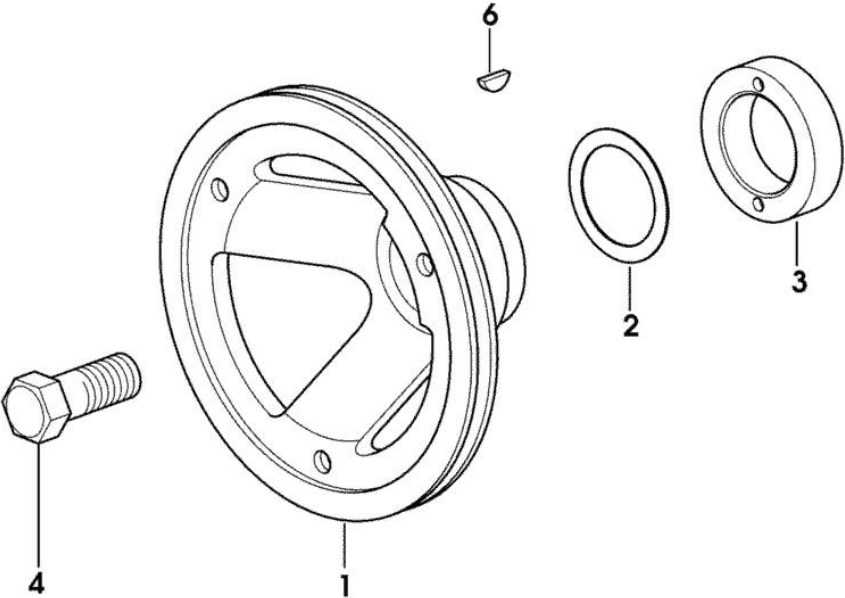
Fig.	P/n	QTY	Name
<b>Notes:</b>			
[ARGON 75 F]			
4	2.3130.001.1	3	plug 1/8" gas
6	2.1720.006.0	2	key 4x6.5
7	0.007.1554.0/20	1	crankshaft
8	0.065.1215.0	4	main half bushing STANDARD
8	0.065.1215.7		main half bushing - mm 0.25
8	0.065.1215.8		main half bushing - mm 0.50
9	0.065.1216.0	4	main half bushing
9	0.065.1216.7		main half bushing - mm 0.25
9	0.065.1216.8		main half bushing - mm 0.50
10	0.065.1218.0	4	shim STANDARD
10	0.065.1218.7		shim + mm 0.10
10	0.065.1218.8		shim + mm 0.15
15	0.065.1254.0/20	1	gasket
16	0.007.1711.0/10	1	cover
17	2.1475.002.2	9	conical washer 8
18	2.0112.207.2	9	screw m 8 p 1.25 x 20
19	2.1529.073.0	1	special oil seal 110x130x13
20	2.1651.915.0	1	pin 12x35
22	2.1599.524.7	1	washer 21x60x12

Section: ENGINE  
**CRANKSHAFT PULLEY**

Fig.	P/n	QTY	Name
------	-----	-----	------

Notes:  
[ARGON 75 F]

1	0.007.1330.0/30	1	pulley
2	2.1589.189.0	2	shoulder ring mm 1.00
3	0.085.1248.0/10	1	hub
4	2.0399.144.7/10	1	screw m 20 p.1.5x51
6	2.1720.006.0	1	key 4x6.5



9\_33012\_02\_0\_0

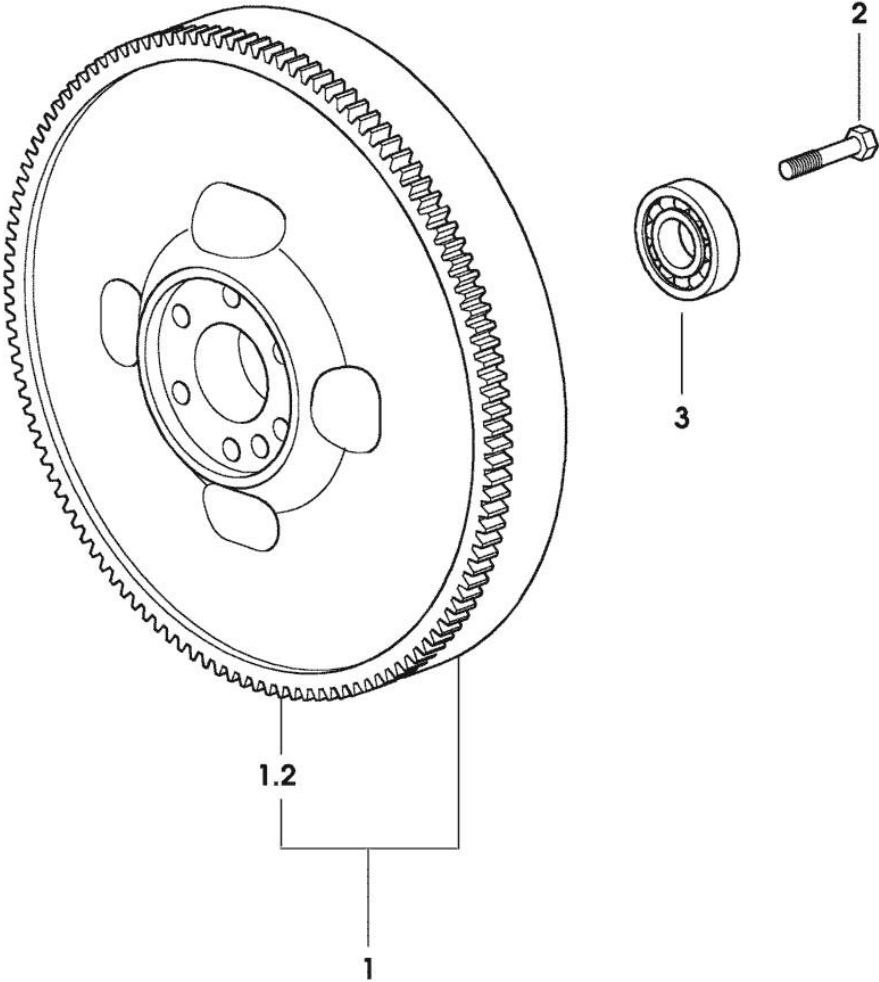
Section: ENGINE

**FLYWHEEL**

Fig.	P/n	QTY	Name
------	-----	-----	------

Notes:  
[ARGON 75 F]

1	0.007.1617.3/30	1	flywheel
1.2	0.069.1242.0	1	crown wheel Z = 121
2	2.0119.174.0/10	6	screw m 12 p.1.25x45
3	2.2041.008.0	1	ball bearing 20x47x14



9\_31112\_02\_0\_0

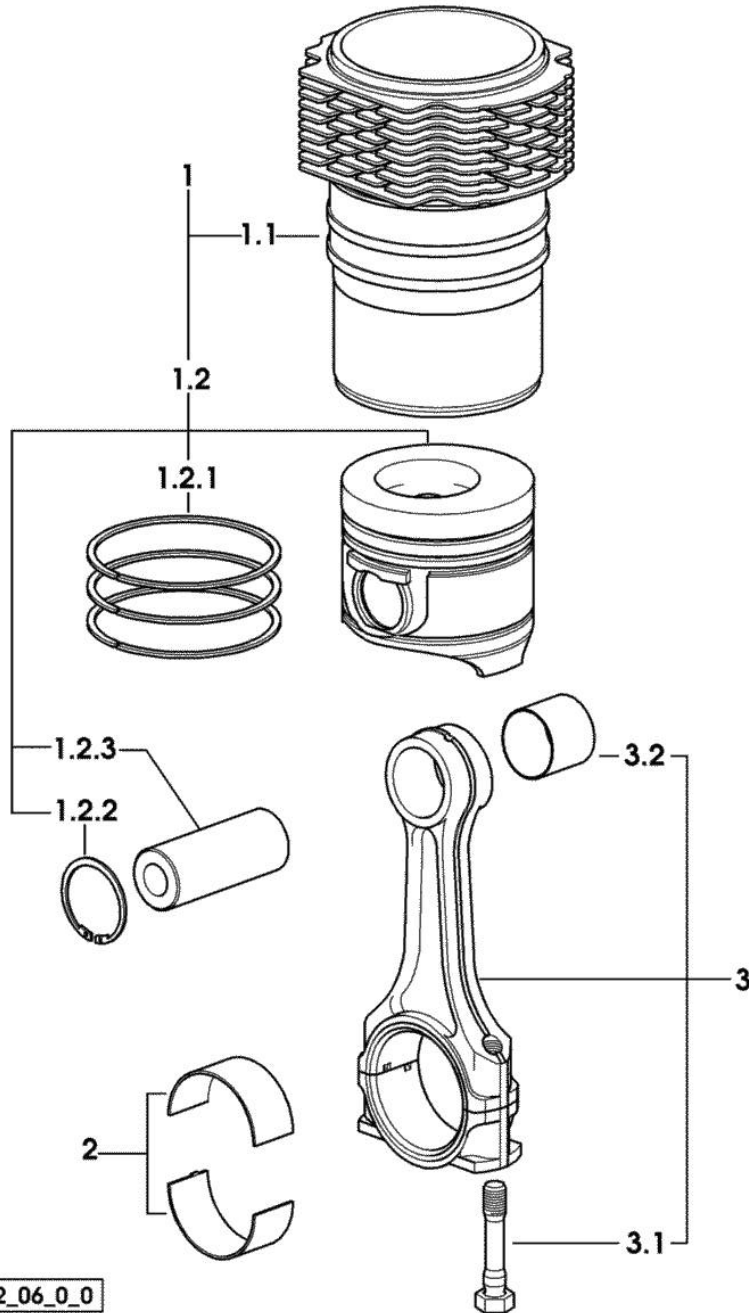
Section: ENGINE

**CYLINDER - PISTON - CONNECTING ROD**

Fig.	P/n	QTY	Name
------	-----	-----	------

Notes:  
[ARGON 75 F]

1	0.381.0065.A	3	cyl. piston assembly "A" - CLASS A
1	0.381.0065.B	3	cyl. piston assembly "B" - CLASS B
1.1	0.007.0762.0/50	1	engine cylinder 8806 <= X ARGON 75 F
1.1	0.A13.0355.0	1	engine cylinder "A" => 8807 X ARGON 75 F - CLASS A
1.1	0.B13.0355.0	1	engine cylinder "B" => 8807 X ARGON 75 F - CLASS B
1.2	0.381.0060.6/10	1	complete piston 8806 <= X ARGON 75 F
1.2	0.381.0060.A	1	complete piston "A" => 8807 X ARGON 75 F - CLASS A
1.2	0.381.0060.B	1	complete piston "B" => 8807 X ARGON 75 F - CLASS B
1.2.1	0.338.0052.6/20	1	piston ring set
1.2.2	2.1411.014.1	2	circlip 35
1.2.3	0.078.1236.0	1	piston pin Ø 18 / Ø 35 / L = mm 86
2	0.065.1225.0	6	con.rod half bushing STANDARD - A = 28.75 -> 29.00
2	0.065.1225.7	6	con.rod half bushing - mm 0.25
2	0.065.1225.8	6	con.rod half bushing - mm 0.50
3	0.078.1220.3/30	3	engine connecting rod
3.1	2.0399.213.0	2	screw m 12 p.1.25x61.5
3.2	2.1559.114.0/10	1	special bushing



9\_38612\_06\_0\_0



Section: ENGINE  
CAMSHAFT

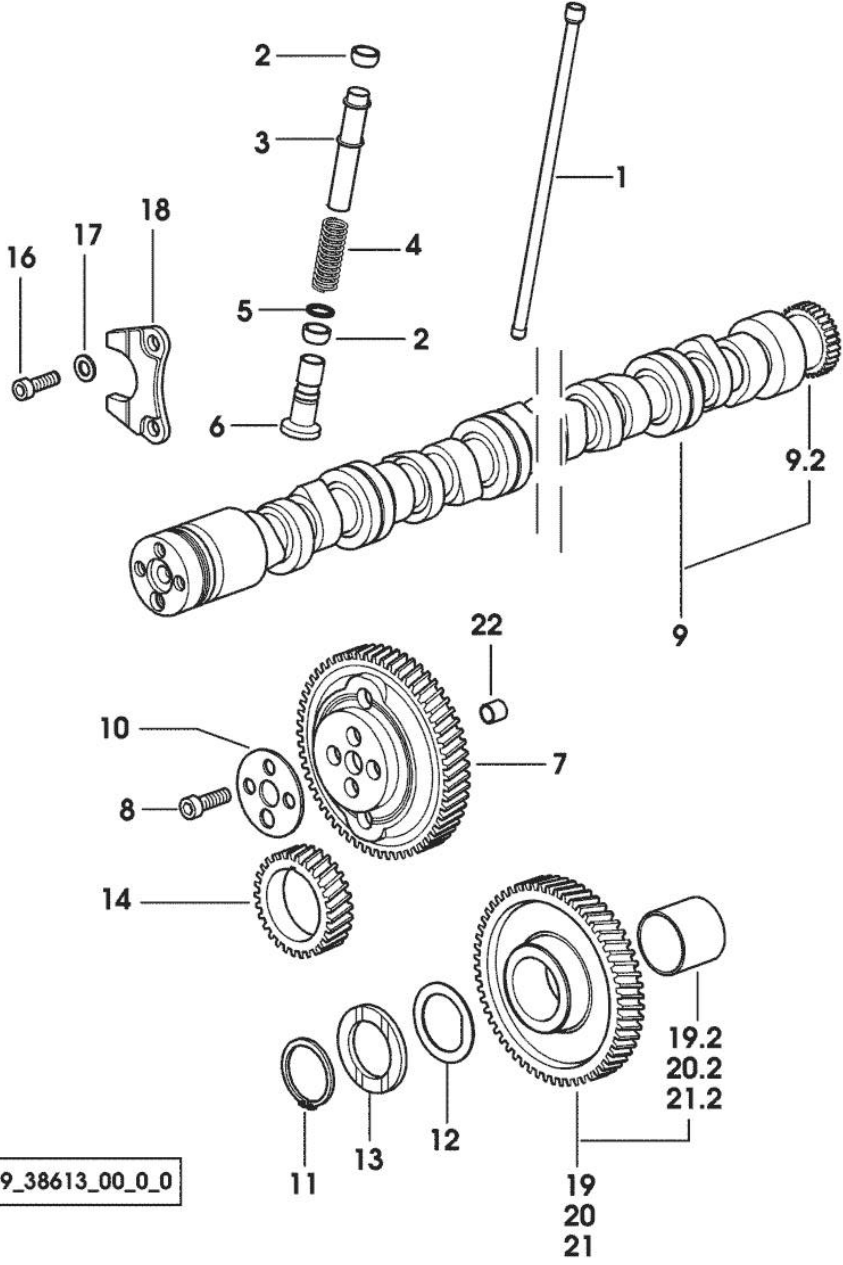


Fig.	P/n	QTY	Name
<b>Notes:</b> [ARGON 75 F]			
1	0.065.1331.2	6	rod
2	2.1569.114.0/10	12	gasket 14x18.5x8
3	0.065.1332.0	6	sleeve
4	2.4019.300.1/10	6	spring 18.5x52x2
5	2.1599.437.0	6	shoulder ring
6	0.065.1330.0	6	tappets
7	0.065.1354.0/20	1	gear z=58
8	2.0132.207.2	4	screw m 10 p.1 x 25
9	0.009.7456.3/10	1	camshaft
9.2	0.065.1324.0/10	1	gear Z = 32
10	0.065.1350.0	1	small disc
11	2.1410.016.1	1	circlip 40
12	0.065.1352.0	1	shim
13	0.065.1351.0	2	shoulder ring
14	0.065.1323.0/30	1	gear Z = 29
16	2.0312.205.2	2	screw
17	2.1480.014.1	2	washer 8
18	0.065.1353.0	1	small plate
19	0.007.1177.3/20		gear z = 57 - WITH RED IDENTIFICATION STAMP
19.2	2.1559.185.0/10	1	bushing
20	0.007.1178.3/20		gear z = 57 - WITH YELLOW IDENTIFICATION STAMP
20.2	2.1559.185.0/10	1	bushing
21	0.007.1179.3/20	1	gear z = 57 - WITH GREEN IDENTIFICATION STAMP
21.2	2.1559.185.0/10	1	bushing
22	2.1559.398.0	1	bushing 10.5x13x12

Section: ENGINE  
CYLINDER HEAD

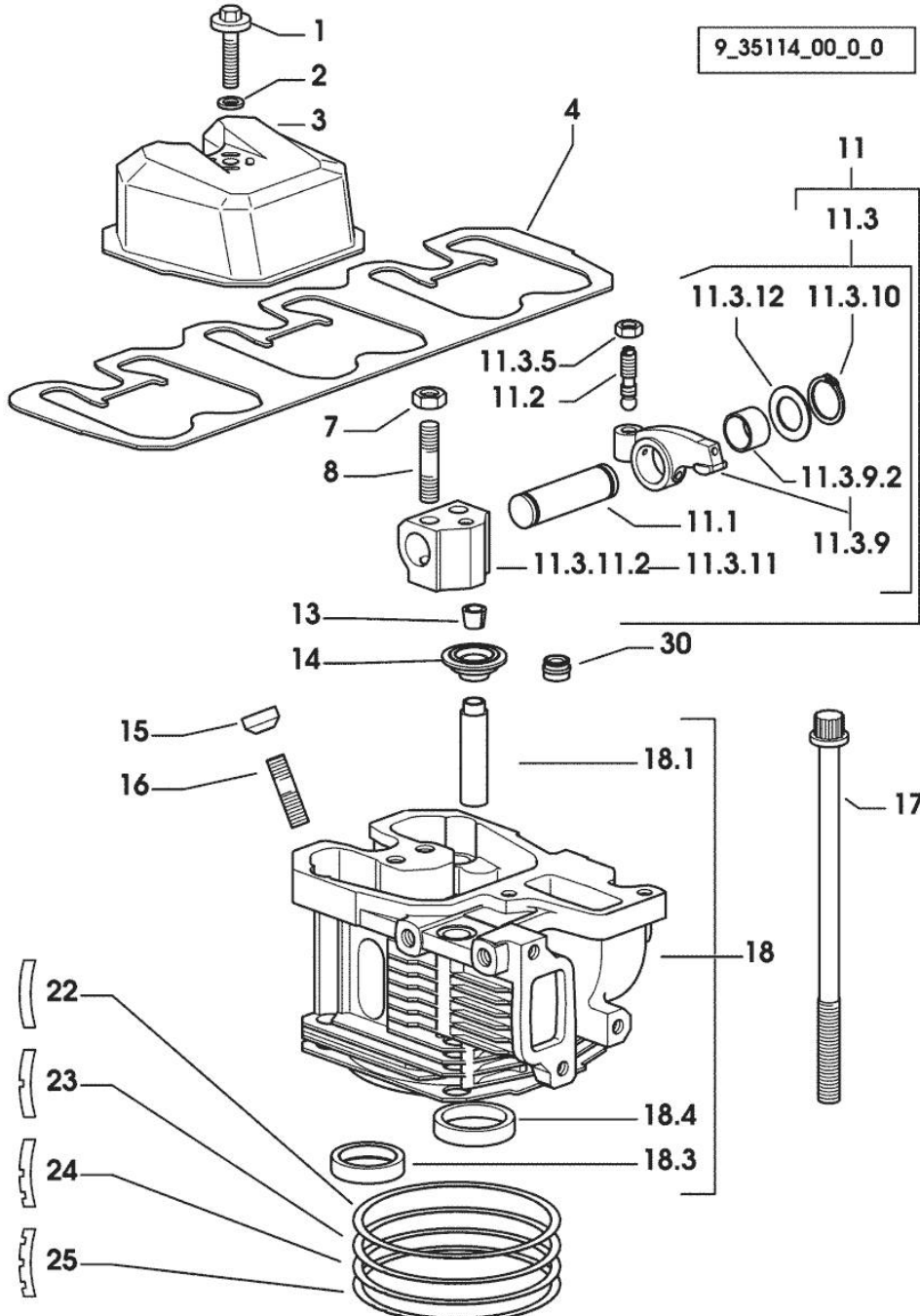


Fig.	P/n	QTY	Name
<b>Notes:</b> [ARGON 75 F]			
1	2.0399.130.2/10	3	screw m 8x36x44
1	2.0399.288.2/10	3	50214 <- X ARGON 75 F screw m 8x36x46
2	2.1539.151.0	3	-> 50215 X ARGON 75 F special oil seal 9.19 x 2.62
2	2.1569.170.0/10	3	-> 50215 X ARGON 75 F gasket 8.2 x 14
3	0.007.1139.0/10	3	50214 <- X ARGON 75 F small cap
4	0.069.1450.0/30	1	tappet gasket
7	2.1011.421.2	6	nut m 10 p.1.25
8	2.0432.163.7	6	stud bolt m 10 p.1.5 / p.1.25 x 45
11	0.000.0000.1		cannot be supplied
11.1	0.066.1431.0	1	pin
11.2	0.021.1434.0	2	screw
11.3	0.000.0000.1		cannot be supplied
11.3.5	2.1011.405.2	2	nut m 8 p.1
11.3.9	0.066.1432.3	2	rocker arm
11.3.9.2	2.1559.021.0/40	1	bushing 15x19x22
11.3.10	2.1410.055.7	2	circlip 19
11.3.11	0.000.0000.1		cannot be supplied
11.3.11.2	0.066.1430.0/10	1	support
11.3.12	2.1599.432.0	2	shoulder ring
13	0.074.1423.0	12	conical valve cotter
14	0.066.1425.0	6	cup
15	2.0432.161.7	3	stud bolt m 10 p.1.5 / p.1.25 x 40
16	0.007.1122.0/10	3	bush L = mm 6.4
17	0.065.1443.0/20	12	screw
18	0.007.1359.3/50	3	engine head
18.1	0.007.1779.0/10	2	valve guide
18.3	0.066.1427.0	1	valve seat
18.4	0.078.1426.0	1	valve seat
22	0.085.1450.0		head gasket mm 0.5 -A-
23	0.085.1451.0	3	head gasket mm 0.7 -B-
24	0.085.1452.0	1	head gasket mm 1.0 -C-
25	0.085.1453.0	1	head gasket mm 0.8 -D-
30	2.1519.117.0	6	special oil seal

**INLET AND EXHAUST VALVES**

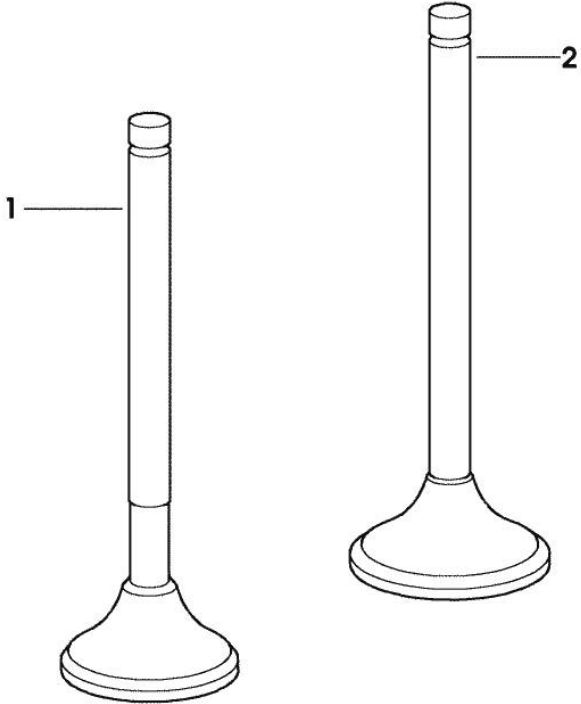
---

<b>Fig.</b>	<b>P/n</b>	<b>QTY</b>	<b>Name</b>
-------------	------------	------------	-------------

---

Notes:  
[ARGON 75 F]

1	0.010.6022.0	3	exhaust valve mm 39.1 / Ø mm 9
2	0.010.6017.0	3	inlet valve mm 43.63 / Ø mm 9



9\_35114\_03\_0\_0

**INLET AND EXHAUST VALVE SPRINGS**

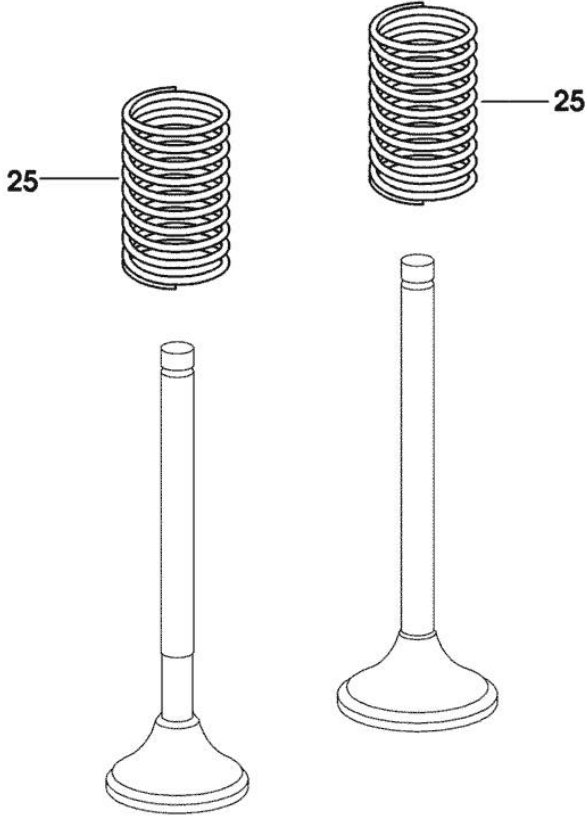
---

Fig.	P/n	QTY	Name
------	-----	-----	------

---

Notes:  
[ARGON 75 F]

25	2.4019.287.0	6	spring
----	--------------	---	--------



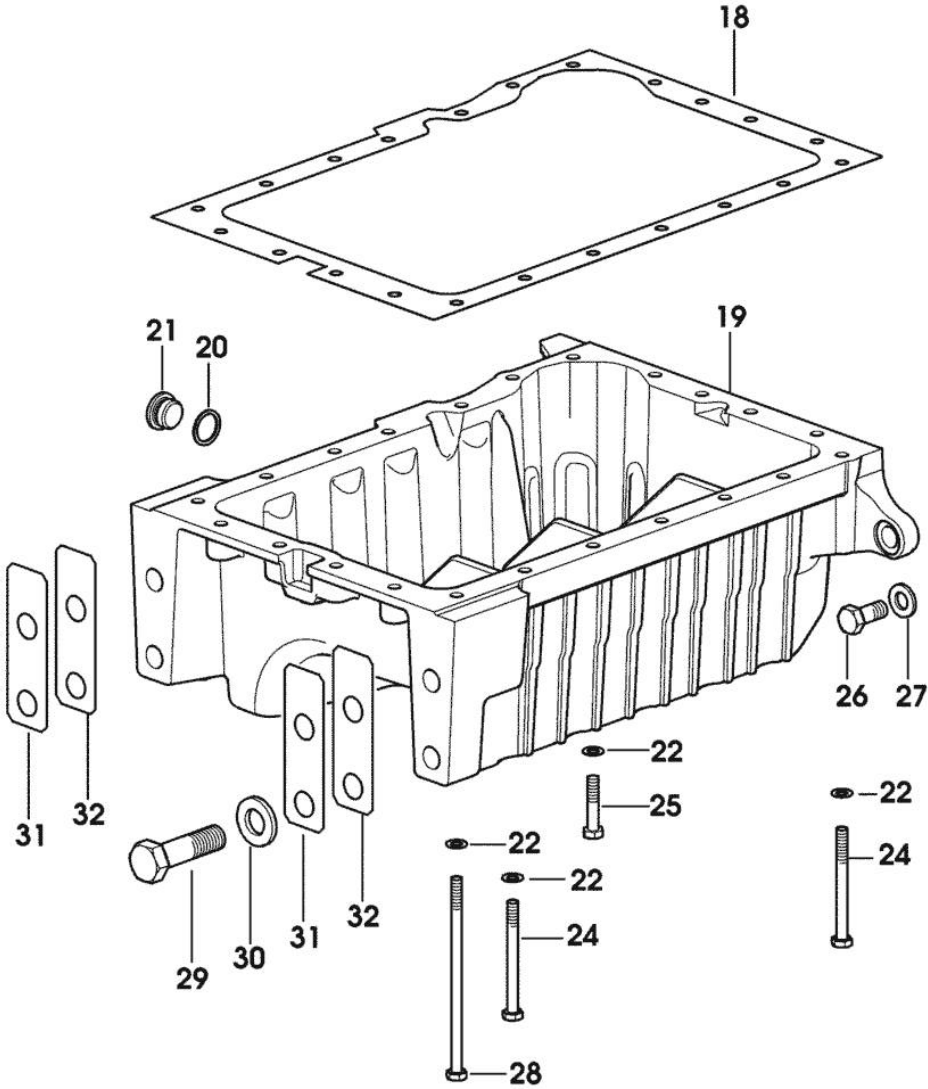
9\_34814\_01\_0\_0

OIL PAN

Fig.	P/n	QTY	Name
------	-----	-----	------

Notes:  
[ARGON 75 F]

18	0.007.0614.0/10	1	gasket
19	0.007.1422.0/40	1	oil sump
20	2.1560.054.0	1	gasket 21 x 26
21	2.3199.001.2	1	plug 1/2" gas
22	2.1470.004.2	22	lock washer 8
24	2.0112.226.2	7	screw m 8 p.1.25 x 85
25	2.0112.215.2	13	screw m 8 p.1.25 x 40
26	2.0112.411.2	4	screw m 12 p.1.75 x 30
27	2.1470.007.2	4	lock washer 12
28	2.0112.239.2	2	screw m 8 p.1.25 x 150
29	2.0112.722.2	4	screw m 18 p.2.5 x 65
30	2.1475.007.7	4	washer 18
31	0.008.8586.0/10	4	shim mm 0.20
32	0.008.8587.0/10	8	shim mm 0.50



9\_35115\_01\_0\_0

Section: ENGINE  
LUBRICATION

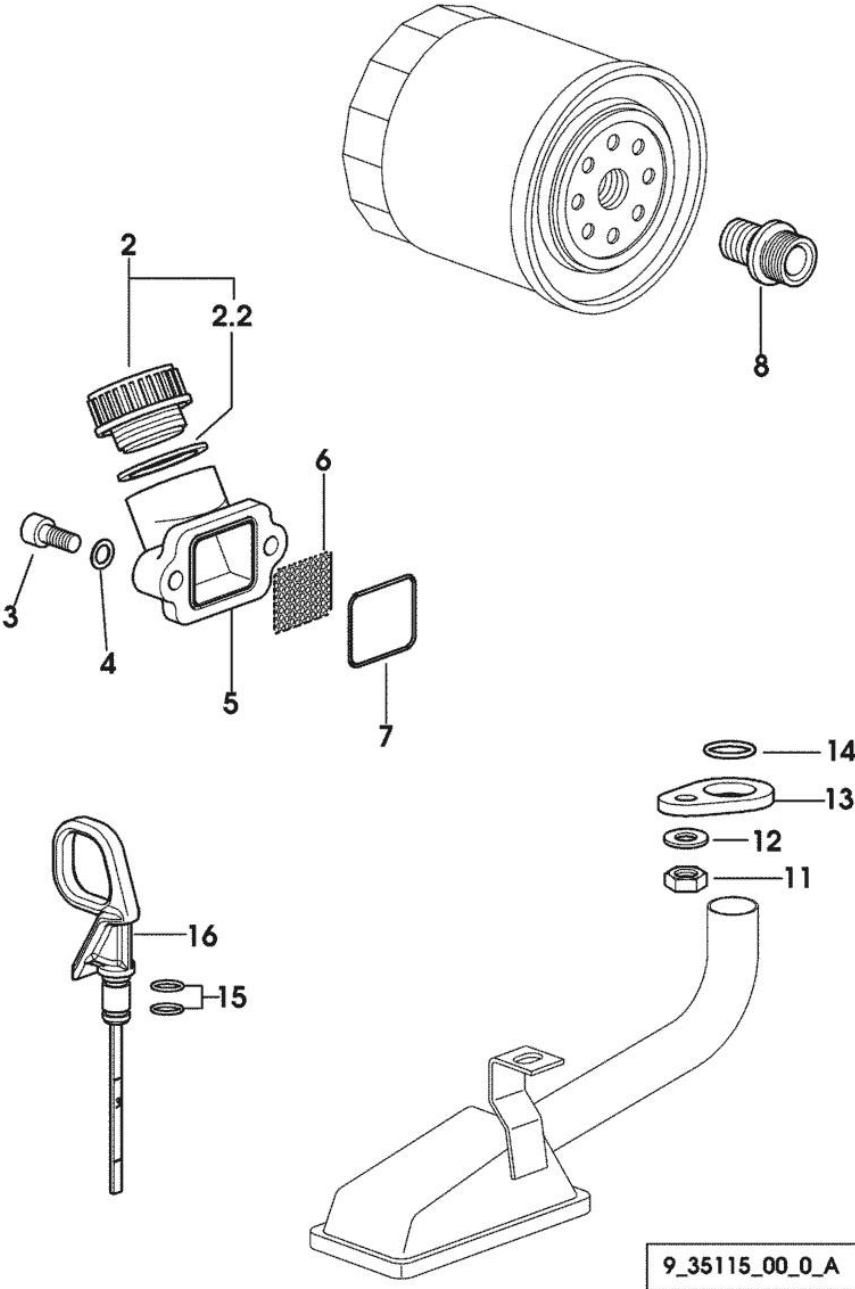


Fig.	P/n	QTY	Name
------	-----	-----	------

Notes:  
[ARGON 75 F]

2	0.041.1135.4	1	plug 1" gas
2.2	2.1569.072.0	1	gasket 32 x 39.5 x 2
3	2.0312.205.2	2	screw
4	2.1480.014.1	2	washer 8
5	0.065.1565.0/10	1	pipe union
6	0.065.1567.0/10	1	filter
7	2.1539.042.0	1	special oil seal 47.35x1.78
8	2.3339.307.0	1	pipe fitting m 22 p.1.5-3/4"
11	2.1011.105.2	1	nut m 8 p.1.25
12	2.1470.004.2	1	lock washer 8
13	0.065.1538.0	1	flange
14	2.1539.040.0	1	special oil seal 21.82 x 3.53
15	2.1539.065.0	2	special oil seal 8.73 x 1.78
16	0.085.1513.2/20	1	dipstick

9\_35115\_00\_0\_A

Section: ENGINE  
**OIL PUMP**

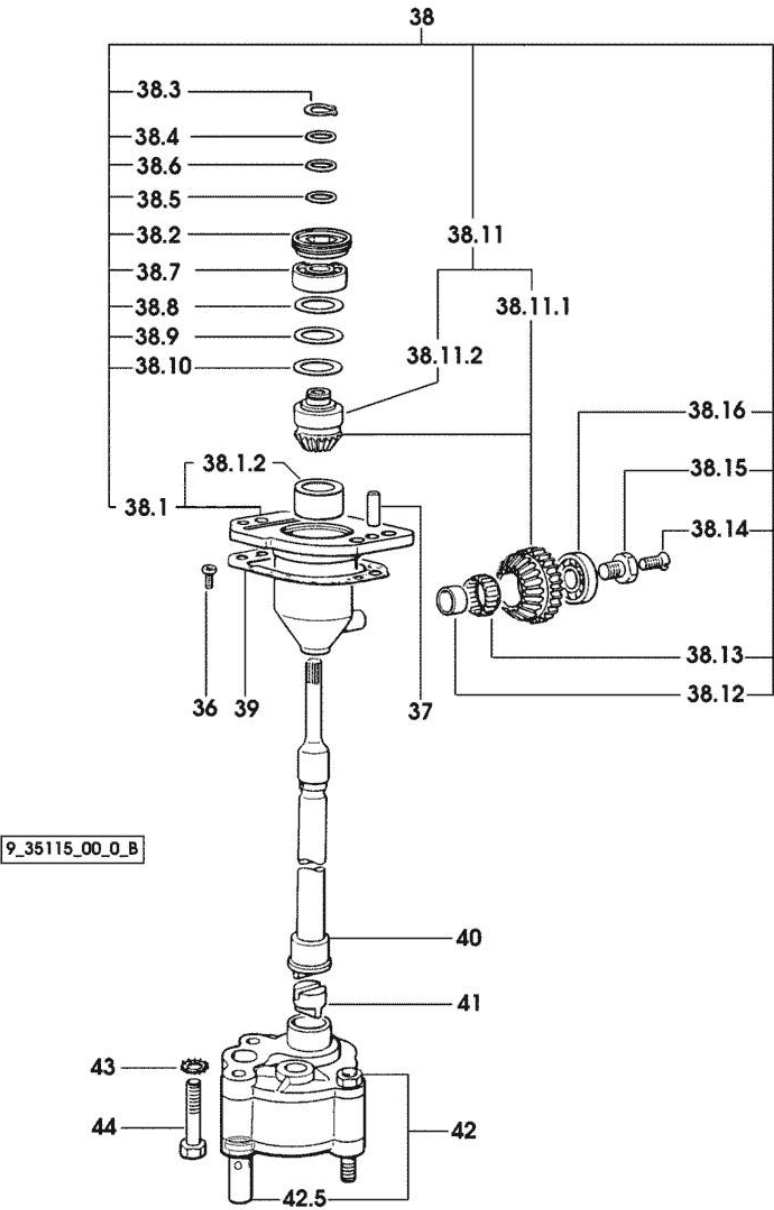


Fig.	P/n	QTY	Name
<b>Notes:</b>			
[ARGON 75 F]			
36	2.0169.005.2	2	screw m 6 p.1 x 12
37	2.1651.711.0	2	pin 8 x 14
38	0.075.1551.4/20	1	support
38.1	0.075.1551.3/30	1	support
38.1.2	2.1559.186.0	1	special bushing 26 x 31.5 x 35
38.2	2.1219.025.2/10	1	ring nut m 36 p.1.5
38.3	2.1410.057.1	1	circlip 15
38.4	2.1589.153.0	1	shoulder ring 15.2 x 19 x 1.00
38.5	2.1589.146.0	2	shoulder ring 15.2 x 19 x 0.15
38.6	2.1589.147.0	2	shoulder ring 15.2 x 19 x 0.10
38.7	2.2020.001.0	1	ball bearing 15 x 32 x 8.00
38.8	2.1589.148.0	1	shoulder ring 28.2 x 31.8 x 0.5
38.9	2.1589.150.0	2	shoulder ring 28.2 x 31.8 x 0.1
38.10	2.1589.151.0	2	shoulder ring 28.2 x 31.8 x 0.15
38.11	0.000.0000.1		cannot be supplied
38.11.1	0.065.1558.6/10	1	bevel drive
38.11.2	0.065.1559.0	1	bush
38.12	2.2680.020.0	1	ring 12 x 15 x 12
38.13	2.2725.016.0	1	roller cage 15 x 21 x 12
38.14	2.0342.007.6	1	screw m 4 p.0.7 x 30
38.15	2.0399.128.2/10	1	screw m 8 p.1 x 8
38.16	2.2030.002.0	1	ball bearing 12 x 28 x 8
39	0.065.1560.0/20	2	gasket
40	0.065.1569.0/40	1	shaft
41	0.065.1562.0/10	1	joint
42	0.010.5481.4	1	oil pump
42.5	0.065.1552.3/60	1	valve
43	2.1470.006.2	2	lock washer 10
44	2.0112.323.2	2	screw m 10 p.1.5x70

Section: ENGINE  
LUBRICATION

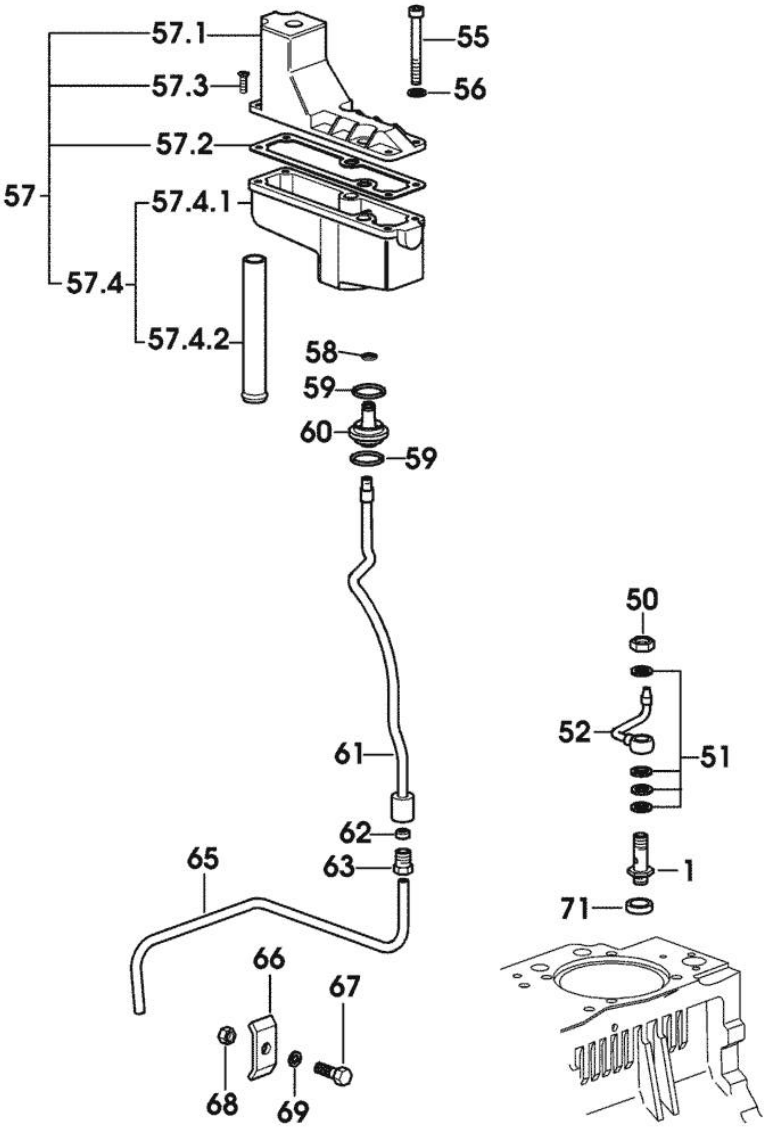


Fig.	P/n	QTY	Name
------	-----	-----	------

Notes:  
[ARGON 75 F]

1	0.065.1160.3/20	3	valve
50	2.1099.108.2	3	special nut m 10 p.1
51	2.1560.006.0	12	gasket 10.2 x 16
52	0.086.1550.2	3	sprayer nozzle
55	2.0312.221.2	2	screw m 8 p.1.25x75
56	2.1480.014.1	2	washer 8
57	0.066.1552.4/10	1	sediment bowl
57.1	0.066.1553.0	1	cover
57.2	0.066.1554.0/10	1	gasket
57.3	2.0351.203.6	4	screw 3.5x9.5
57.4	0.000.0000.1		cannot be supplied
57.4.1	0.066.1552.0	1	sediment bowl
57.4.2	0.066.1555.0	1	tube
58	2.1532.014.0	1	oil seal 7.65 x 1.78
59	2.1539.072.0	2	special oil seal 23.52 x 1.78
60	0.066.1558.0	1	bush
61	0.066.1557.2	1	tube
62	2.3350.003.1	1	nosepiece 8
63	2.3339.418.1	1	pipe fitting m 12 p.1
65	0.007.1427.0	1	tube
66	0.002.8816.0	1	small plate
67	2.0112.007.2	1	screw m 6 p.1 x 20
68	2.1011.103.2	1	nut m 6 p.1
69	2.1470.002.2	1	lock washer 6
71	2.1579.154.2	3	spacer 10.5x16x3

9\_35115\_00\_0\_C

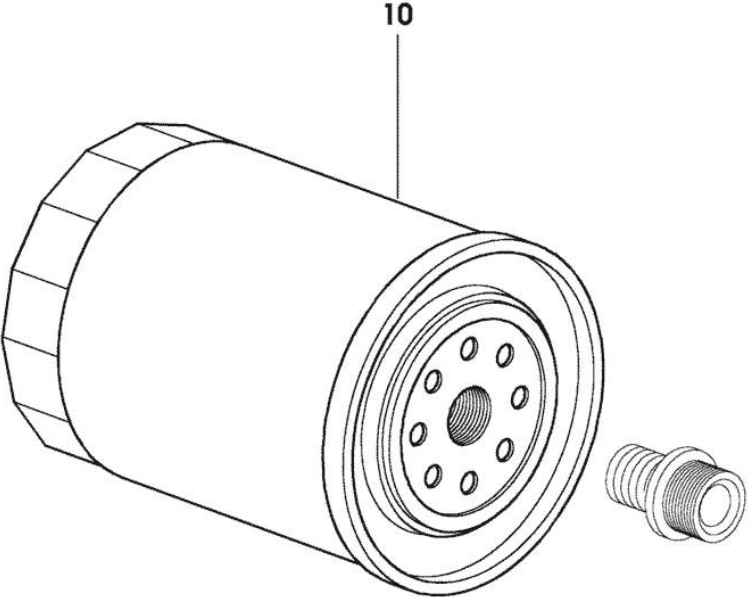


Section: ENGINE  
**LUBRIC. OIL FILTER**

Fig.	P/n	QTY	Name
------	-----	-----	------

Notes:  
[ARGON 75 F]

10	2.4419.340.0	1	oil filter element
----	--------------	---	--------------------



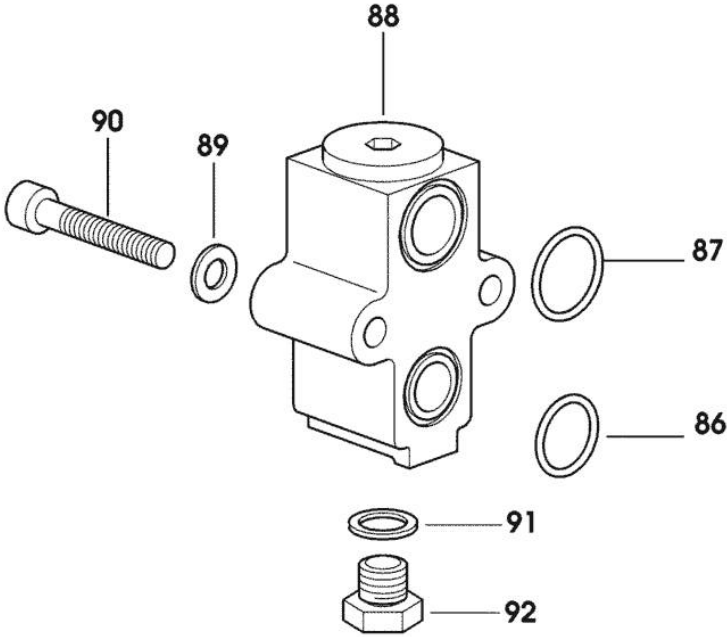
9\_34415\_04\_0\_0

LUBRICATION

Fig.	P/n	QTY	Name
------	-----	-----	------

Notes:  
[ARGON 75 F]

86	2.1539.048.0	1	special oil seal 20.35x1.78
87	2.1539.072.0	1	special oil seal 23.52 x 1.78
88	0.065.1581.4/20	1	valve
89	2.1480.014.1	2	washer 8
90	2.0312.215.2	2	screw
91	2.1560.010.0	1	gasket 14.2 x 20
92	2.3110.403.1	1	plug m 14 p.1.5x12



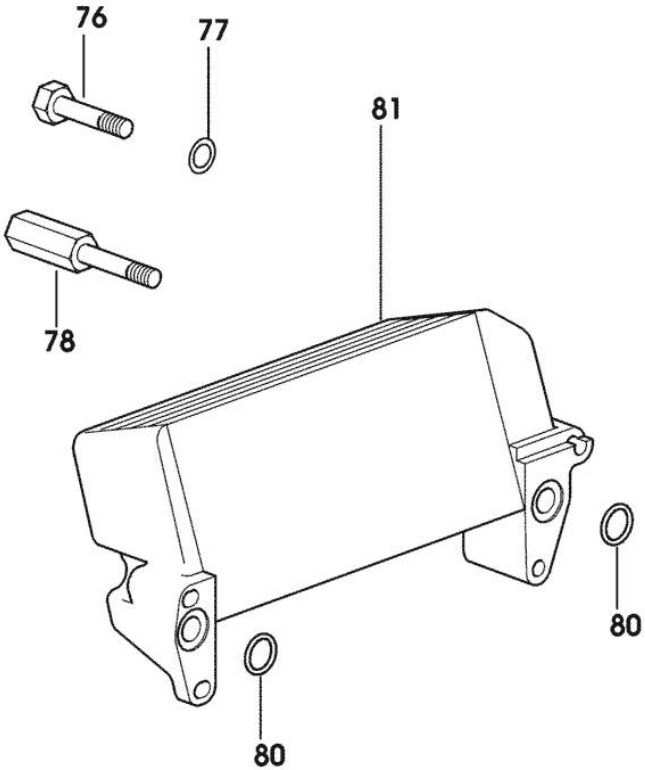
9\_33015\_08\_0\_0

MOTOR OIL

Fig.	P/n	QTY	Name
------	-----	-----	------

Notes:  
[ARGON 75 F]

76	2.0312.216.2	2	screw m 8 p.1.25x50
77	2.1310.004.2	2	flat washer 8.4x17
78	2.0399.125.2/10	2	screw m 8 x 55
80	2.1539.048.0	2	special oil seal 20.35x1.78
81	0.007.7319.3	1	oil cooler



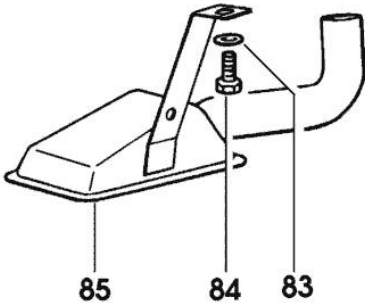
9\_34815\_01\_0\_0

**LUBRICANT OIL SUCTION PIPE**

Fig.	P/n	QTY	Name
------	-----	-----	------

Notes:  
[ARGON 75 F]

83	2.1470.004.2	1	lock washer 8
84	2.0112.205.2	1	screw m 8 p.1.25 x 16
85	0.007.1425.3	1	tube



Thank you so much for reading.  
Please click the “Buy Now!”  
button below to download the  
complete manual.



After you pay.

You can download the most  
perfect and complete manual in  
the world immediately.

Our support email:

[ebooklibonline@outlook.com](mailto:ebooklibonline@outlook.com)