

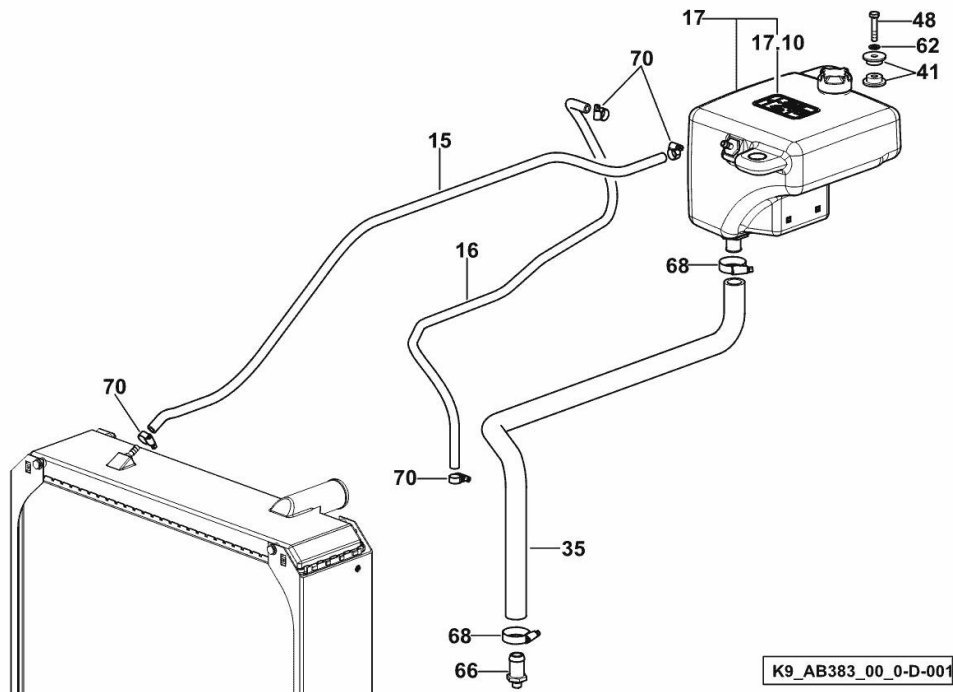
COOLANT RESERVOIR

Fig.	P/n	QTY	Name
------	-----	-----	------

Notes:

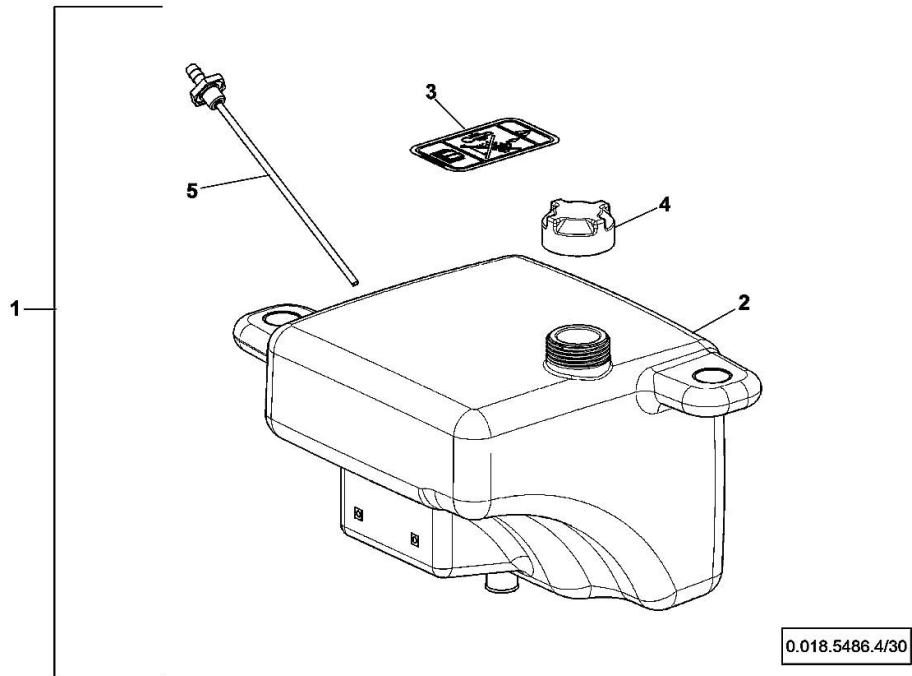
[AUDAX 200]

15	0.018.4694.0	1	tube
16	0.018.4701.0	1	tube
17	0.018.5486.4/30	1	small tank ☞ 0.018.5486.4/30
17.10	2.9939.280.0	1	plate
35	0.020.2118.0	1	tube
41	04432147	4	ring
48	2.0114.215.2	2	screw m 8 p.1.25 x 40
62	2.1475.002.2	2	conical washer 8
66	2.3249.549.2	1	pipe fitting m 14 p.1.5
68	2.6851.003.0	2	clamp Ø 25/40
70	2.6851.018.0	4	clamp Ø11/17



WATER TANK

Fig.	P/n	QTY	Name
1	0.018.5486.4/30	1	small tank
2	0.000.0000.1		cannot be supplied
3	2.9939.280.0	1	plate
4	0.010.3465.1	1	plug
5	0.020.1742.3/10	1	tube



INTERCOOLER - RADIADOR DO ÓLEO DA CAIXA DE VELOCIDADES

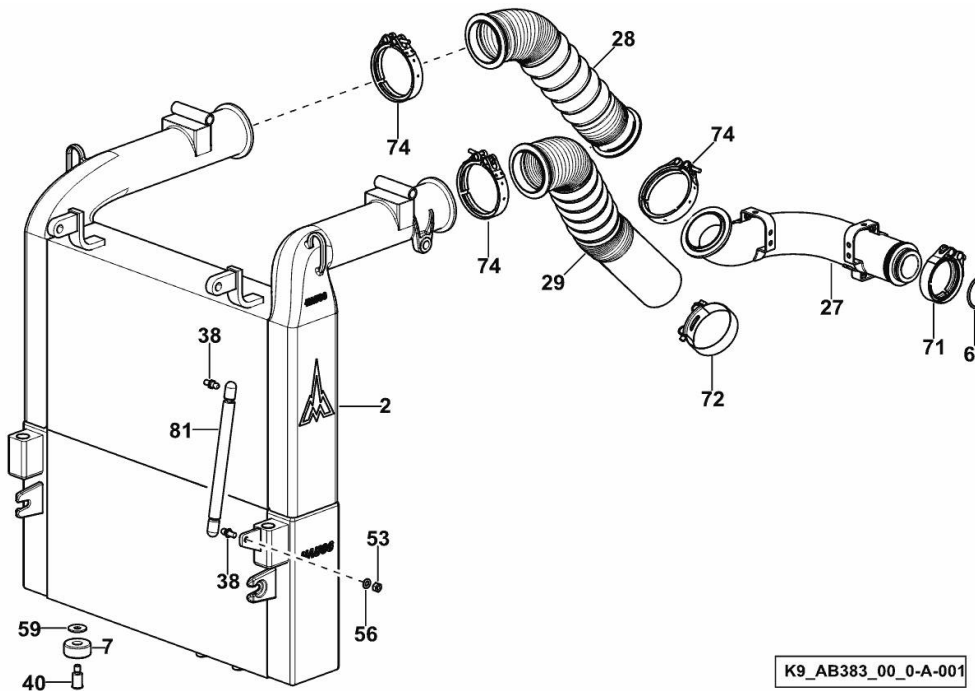


Fig.	P/n	QTY	Name
------	-----	-----	------

Notes:

[AUDAX 200]

2	0.020.0792.4	1	intercooler
7	0.007.0675.0	4	silent-block
27	0.020.0489.3/10	1	tube
28	0.021.5541.4/10	1	sleeve
29	0.021.5543.4/10	1	sleeve
38	04399070	2	ball joint
40	04431909/10	4	pin
53	2.1011.105.2	9	nut m 8 p.1.25
56	2.1310.004.2	47	flat washer 8.4x17
59	2.1312.005.2	4	washer 10.2
64	2.1532.508.0	1	oil seal 50.40x3.53
71	2.6859.118.0	1	clamp Ø 77
72	2.6859.148.2	1	clamp Ø 79-85
74	2.6859.166.0	3	clamp Ø 97
81	0.017.4845.4	1	shock absorber

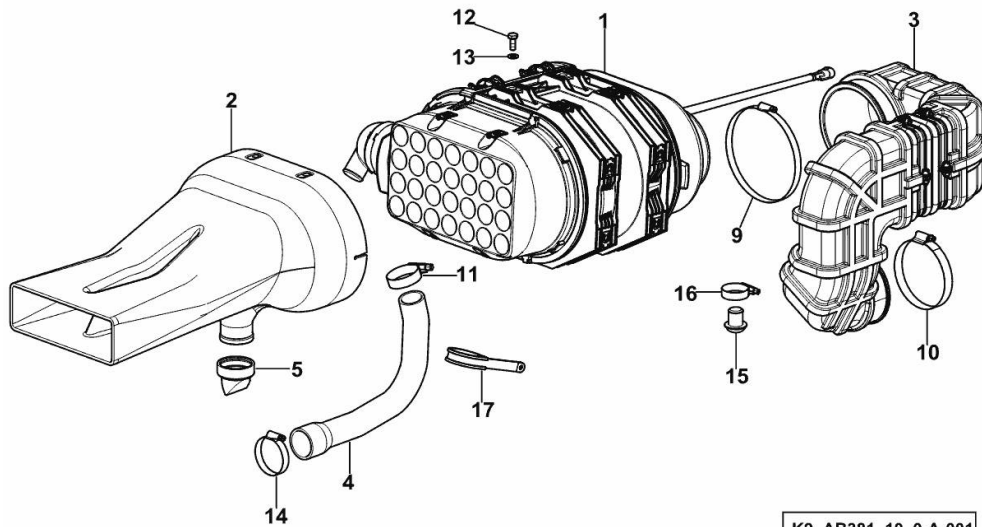
AIR FILTER

Fig.	P/n	QTY	Name
------	-----	-----	------

Notes:

[AUDAX 200]

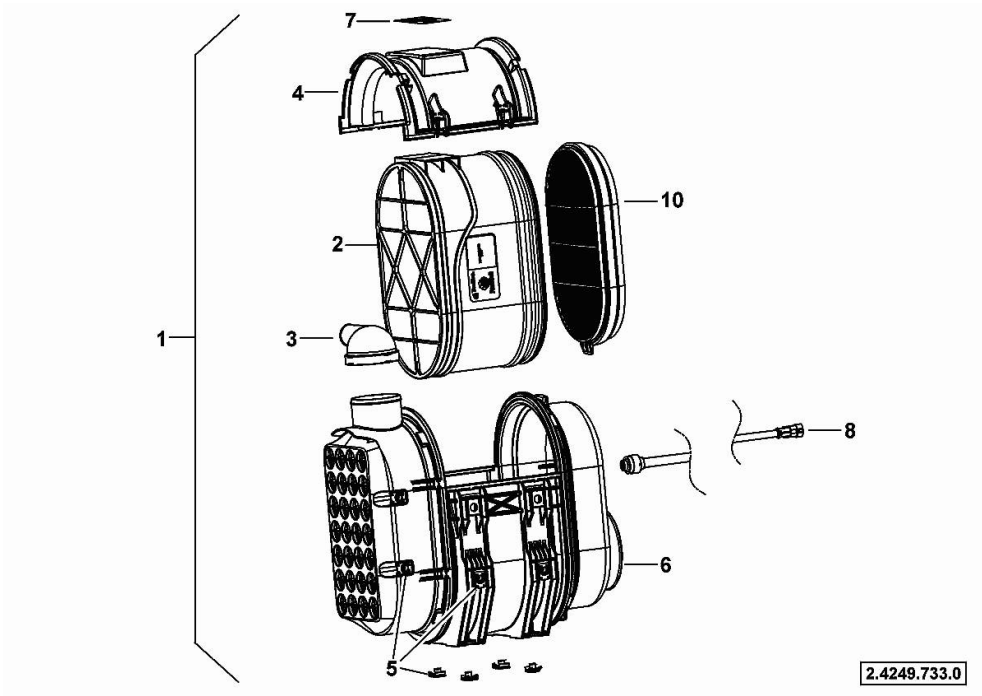
1	2.4249.733.0	1	air filter ☞ 2.4249.733.0
2	0.019.9258.0/10	1	sleeve
3	0.021.8326.3	1	sleeve
4	0.020.1141.0/10	1	tube
5	0.015.3566.0	1	valve
9	2.6851.014.0	1	clamp 130-150
10	2.6859.150.0	1	clamp 95/118
11	2.6851.004.0	1	clamp Ø 32/50
12	2.0114.207.2	8	screw m 8 p.1.25 x 20
13	2.1310.004.2	8	flat washer 8.4x17
14	2.6851.005.0	1	clamp Ø 40/60
15	0.016.2956.0	1	plug
16	2.6851.003.0	1	clamp Ø 25/40
17	2.6839.087.0	1	clamp



K9_AB381_10_0-A-001

AIR FILTER

Fig.	P/n	QTY	Name
1	2.4249.733.0	1	air filter
2	0.900.0862.6	1	external air filter element
3	0.900.0793.8	1	valve
4	0.900.1456.2	1	cover
5	0.900.0272.4	12	clip
6	0.000.0000.1	1	cannot be supplied
7	0.900.1602.6	1	plate
8	0.900.0272.2	1	electric cable
10	0.900.0793.7	1	internal air filter element



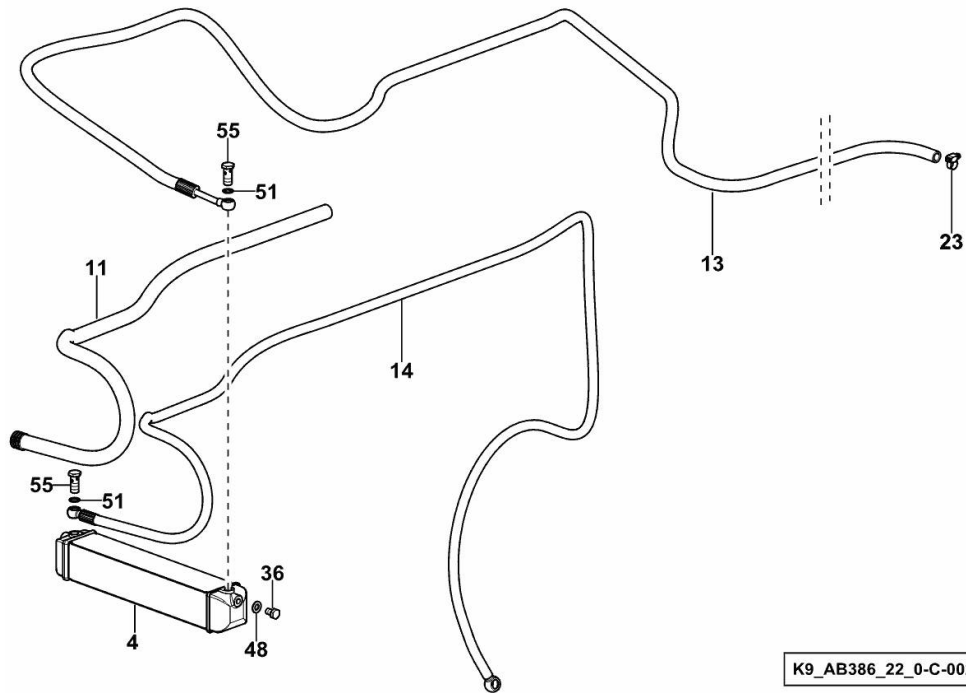
FUEL COOLER

Fig.	P/n	QTY	Name
------	-----	-----	------

Notes:

[AUDAX 200]

4	0.014.2839.4/20	1	radiator
11	0.019.6325.0	1	tube
13	0.020.3963.3	1	tube
14	0.020.3970.3	1	tube
23	01173965	1	clamp 10-16/9 h3461
36	2.0112.305.2	2	screw m 10 p.1.5 x 16
48	2.1310.006.2	4	flat washer 10.5x21
51	2.1560.009.0	2	gasket 14.2x18
55	2.3335.053.2	2	pipe union m 14 p.1.5x32



FUEL FEED PIPES AND PREFILTER

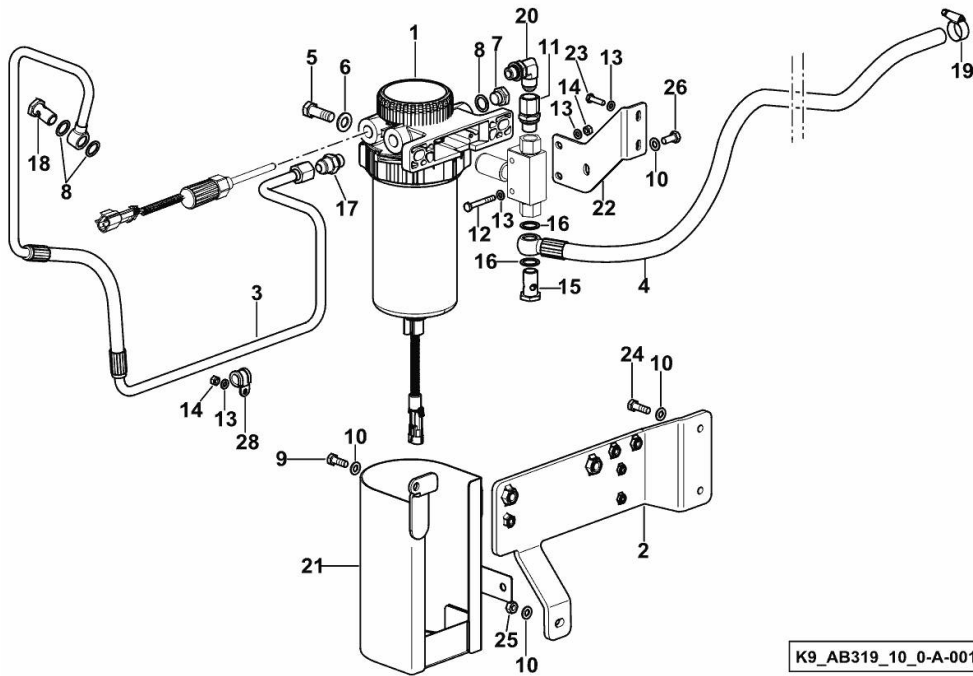


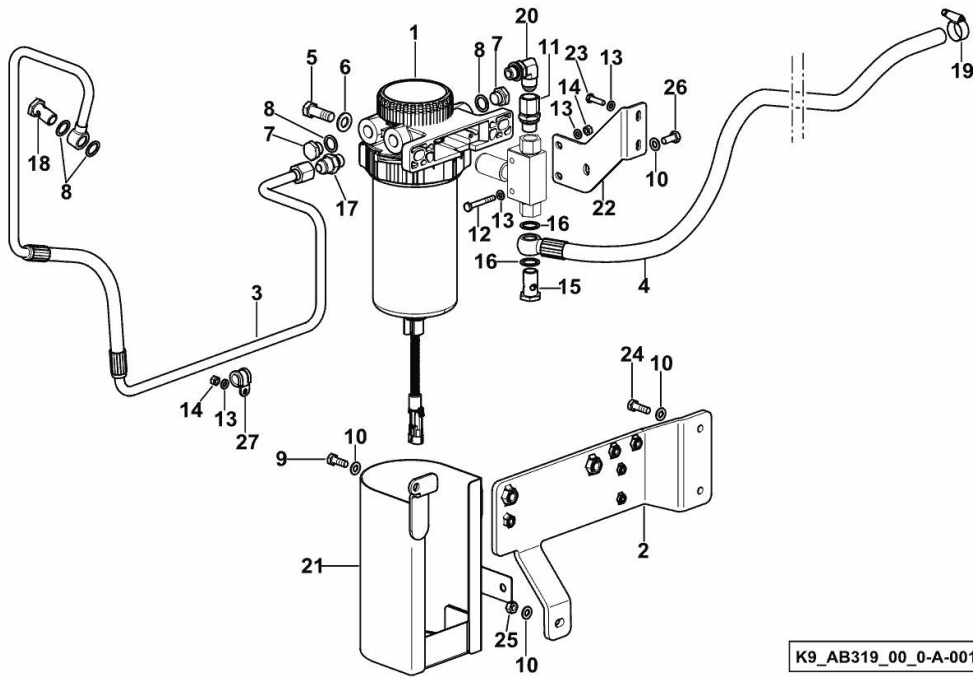
Fig.	P/n	QTY	Name
------	-----	-----	------

Notes:

- FOR COLD CLIMATES [AUDAX 200]

1	2.4319.300.0/20	1	precleaner ☞ 2.4319.300.0/20
2	0.020.2425.3/10	1	support
3	0.020.2457.3	1	tube
4	0.016.3336.3	1	tube mm 1700
5	2.0112.413.2	2	screw m 12 p.1.75x35
6	2.1310.007.2	2	flat washer 13 x 24
7	2.3110.404.2	1	plug m 16 p.1.5
8	2.1560.012.0	4	gasket 16.2 x 22
9	2.0112.208.2	1	screw m 8 p.1.25 x 22
10	2.1310.004.2	5	flat washer 8.4x17
11	2.3339.877.2	1	pipe fitting m 18 p.1.5 3/4" - 16 JIC
12	2.0112.017.2	2	screw m 6 p.1x45
13	2.1310.002.2	8	flat washer 6.4x12.5
14	2.1011.103.2	4	nut m 6 p.1
15	2.3335.008.2	1	pipe union m 18 p.1.5 x 32
16	2.1560.014.0	2	washer 18.2 x 24
17	2.3249.227.2	1	pipe fitting m 16 p.1.5-3/4"
18	2.3335.007.2	1	pipe union m 16 p.1.5x28
19	2.6851.001.0	1	clamp Ø 16/25
20	2.3249.101.2	1	pipe fitting m 16 p1.5
21	0.020.2741.3/10	1	shield
22	0.020.2438.0	1	support
23	2.0112.008.2	2	screw m 6 p.1x22
24	2.0112.209.2	2	screw m 8 p 1.25 x 25
25	2.1011.105.2	1	nut m 8 p.1.25
26	2.0112.206.2	1	screw m 8 p.1.25 x 18
28	2.6839.059.0	2	clamp Ø 12 / 15

FUEL FEED PIPES AND PREFILTER



K9_AB319_00_0-A-001

Fig.	P/n	QTY	Name
------	-----	-----	------

Notes:

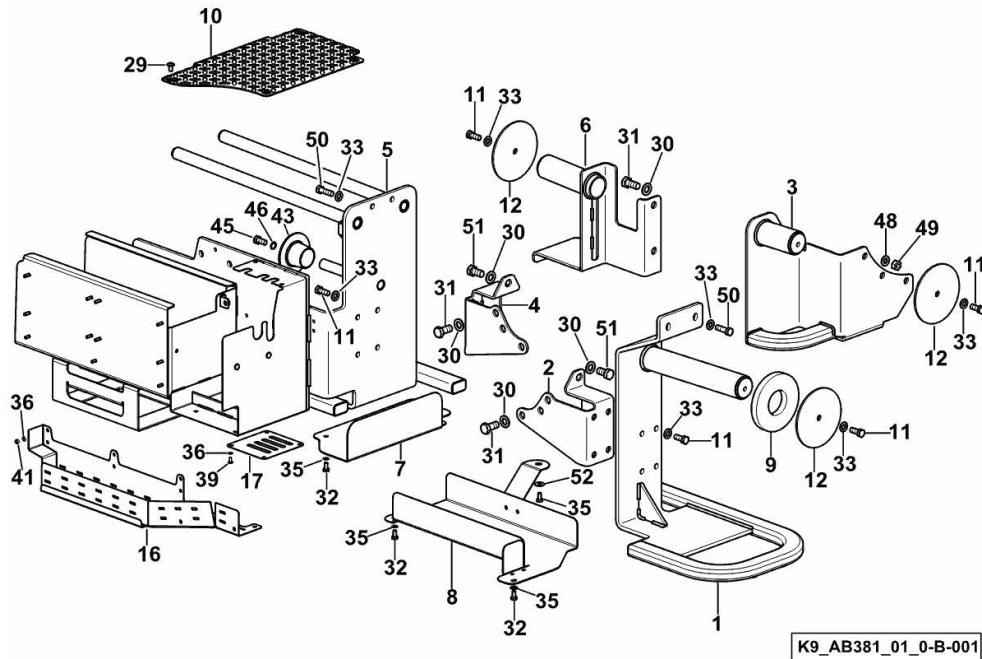
[AUDAX 200]

1	2.4319.300.0/20	1	precleaner ☞ 2.4319.300.0/20
2	0.020.2425.3/10	1	support
3	0.020.2457.3	1	tube
4	0.016.3336.3	1	tube mm 1700
5	2.0112.413.2	2	screw m 12 p.1.75x35
6	2.1310.007.2	2	flat washer 13 x 24
7	2.3110.404.2	2	plug m 16 p.1.5
8	2.1560.012.0	4	gasket 16.2 x 22
9	2.0112.208.2	1	screw m 8 p.1.25 x 22
10	2.1310.004.2	5	flat washer 8.4x17
11	2.3339.877.2	1	pipe fitting m 18 p.1.5 3/4" - 16 JIC
12	2.0112.017.2	2	screw m 6 p.1x45
13	2.1310.002.2	8	flat washer 6.4x12.5
14	2.1011.103.2	4	nut m 6 p.1
15	2.3335.008.2	1	pipe union m 18 p.1.5 x 32
16	2.1560.014.0	2	washer 18.2 x 24
17	2.3249.227.2	1	pipe fitting m 16 p.1.5-3/4"
18	2.3335.007.2	1	pipe union m 16 p.1.5x28
19	2.6851.001.0	1	clamp Ø 16/25
20	2.3249.101.2	1	pipe fitting m 16 p1.5
21	0.020.2741.3/10	1	shield
22	0.020.2438.0	1	support
23	2.0112.008.2	2	screw m 6 p.1x22
24	2.0112.209.2	2	screw m 8 p 1.25 x 25
25	2.1011.105.2	1	nut m 8 p.1.25
26	2.0112.206.2	1	screw m 8 p.1.25 x 18
27	2.6839.059.0	2	clamp Ø 12 / 15

TANK AND BATTERY SUPPORT SX/LH/LI - DX/RH/RE

Fig.	P/n	QTY	Name
------	-----	-----	------

Notes:
[AUDAX 200]



1	0.020.3109.3/10	1	tank support
2	0.020.3148.3/10	1	bracket
3	0.020.3203.3/20	1	tank support
4	0.020.3216.3/10	1	bracket
5	0.020.3209.3	1	support dx/rh/re
6	0.020.3222.3	1	tank support dx/rh/re
7	0.020.3221.0	1	guard dx/rh/re
8	0.020.3220.2/20	1	guard
9	0.020.1797.0/10	1	spacer
10	0.018.7968.0/10	1	foot board
11	2.0112.411.2	11	screw m 12 p.1.75 x 30
12	04413213	3	washer
16	0.018.9663.3	1	shield dx/rh/re
17	0.018.4108.0/10	1	guard
29	2.0339.024.0/10	4	screw m 8 x 16
30	2.1310.010.2	10	flat washer 17x30
31	2.0112.613.2	8	screw m 16 p.2x35
32	2.0114.205.2	8	screw m 8 p.1.25 x 16
33	2.1310.007.2	15	flat washer 13 x 24
35	2.1310.004.2	9	flat washer 8.4x17
36	2.1310.002.2	18	flat washer 6.4x12.5
39	2.0332.404.2	4	screw m 6 p.1 x 12
41	2.1011.103.2	8	nut m 6 p.1
43	0.018.1844.2	1	bracket dx/rh/re
45	2.0112.409.2	1	screw m 12 p.1.75 x 25
46	2.1474.011.2	1	spring washer 12
48	2.1475.005.7	3	washer 14
49	2.1011.408.2	3	nut m 14 p.1.5
50	2.0112.415.2	4	screw m 12 p.1.75 x 40
51	2.0112.611.2	2	screw m 16 p.2x30
52	2.1312.004.2	1	washer 8x24x2

FASTENERS FOR TANKSUPPORTS

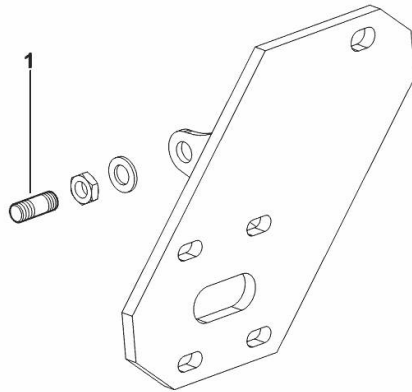
Fig.	P/n	QTY	Name
------	-----	-----	------

Notes:

[AUDAX 200]

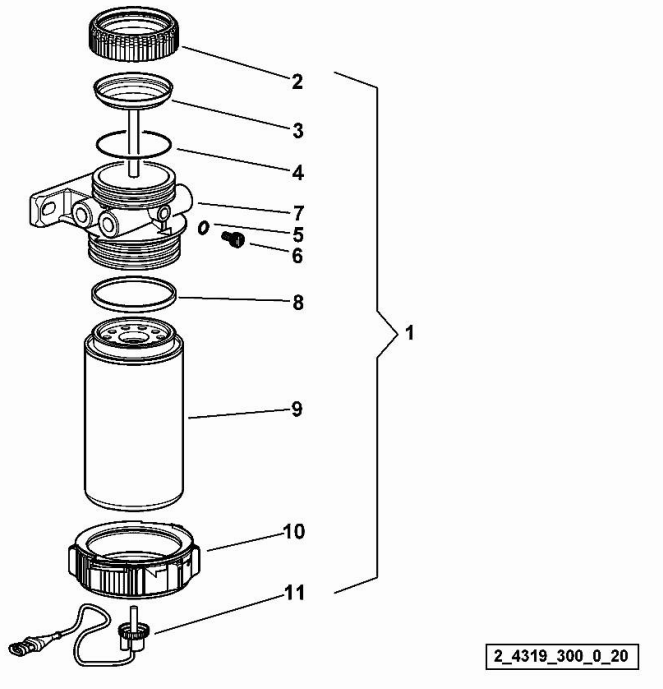
1	2.0422.603.2	3	stud bolt m 16 p.2x20
---	--------------	---	-----------------------

K9_J5781_06_0-A-001



PRE-FILTER - COMPONENTS

Fig.	P/n	QTY	Name
1	2.4319.300.0/20	1	precleaner 2, 3, 4, 5, 6, 7, 8, 9, 10, 11
2	0.900.0863.8	1	crown wheel
3	0.000.0000.1	1	cannot be supplied
4	0.900.0863.9	1	rubber ring
5	0.900.0789.8	1	ring
6	0.900.0864.3	1	screw
7	0.000.0000.1	1	cannot be supplied
8	0.900.0864.0	1	dust guard
9	0.900.0511.9	1	fuel filter element
10	0.900.0864.1	1	closure
11	0.900.0942.1	1	clogging warning ind.



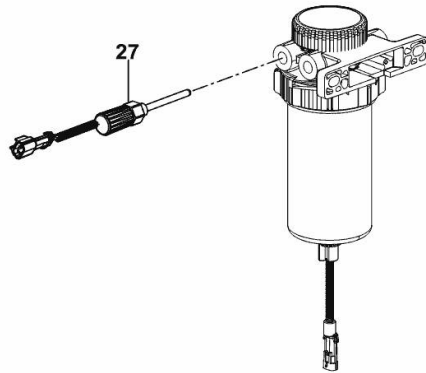
FUEL HEATER

Fig.	P/n	QTY	Name
------	-----	-----	------

Notes:

- FOR COLD CLIMATES [AUDAX 200]

27	2.4319.315.0	1	glow plug
----	--------------	---	-----------



K9_AB319_10_0-B-001

EXHAUST SILENCER

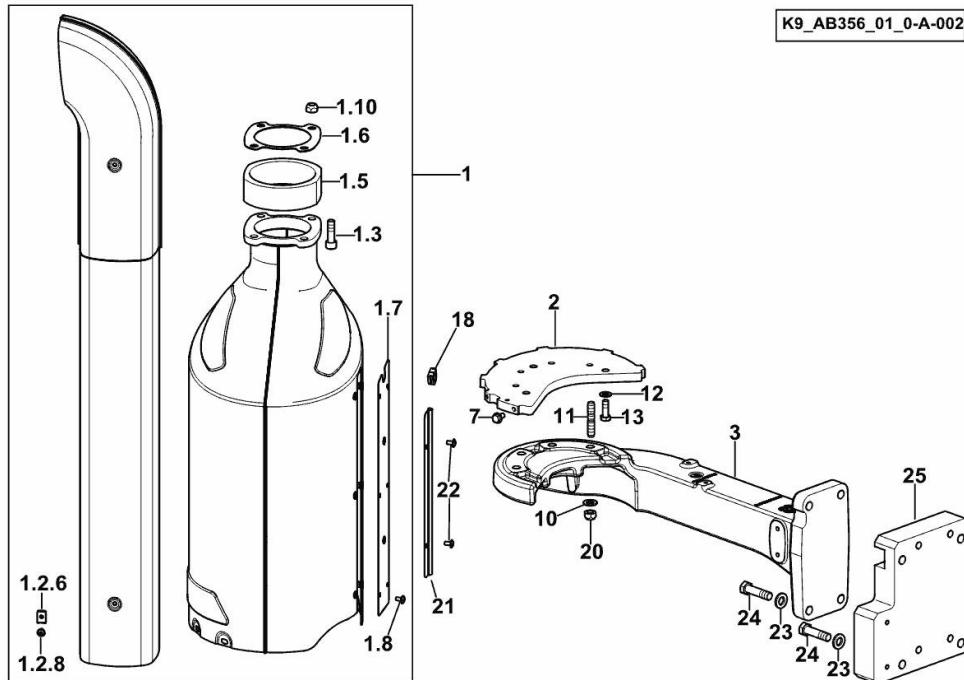


Fig.	P/n	QTY	Name
------	-----	-----	------

Notes:

[AUDAX 200] 50010 <-

1	0.018.4601.4/50	1	guard
1.2.6	2.6999.064.6	4	special nut m 6
1.2.8	2.0339.030.0	4	screw m 6 x 12
1.3	2.0312.414.2	4	screw m 12 x 40
1.5	0.018.8019.0/20	1	insulating material
1.6	0.021.2042.0	1	gasket (-> 50010)
1.7	0.020.0424.3/10	1	plate
1.8	2.0339.030.0	6	screw m 6 x 12
1.10	2.1121.008.2	4	nut m 12
2	0.018.3823.0/20	1	plate
3	0.018.3563.0/20	1	bracket
7	2.0339.024.0/10	7	screw m 8 x 16
10	2.1310.007.2	4	flat washer 13 x 24
11	2.0439.338.2/10	4	stud bolt m 12 p.1.75 x 40
12	2.1310.006.2	3	flat washer 10.5x21
13	2.0112.311.2	3	screw m 10 p.1.5 x 30
18	2.6569.089.0	3	grommet
20	2.1121.008.2	4	nut m 12
21	0.020.8556.0	1	guard
22	2.0339.020.0/10	2	screw m6x12
23	2.1475.205.7	8	spring washer 15x35
24	2.0113.520.2	8	screw m 14 p.2 x 55
25	0.020.2724.0	1	plate

EXHAUST SILENCER

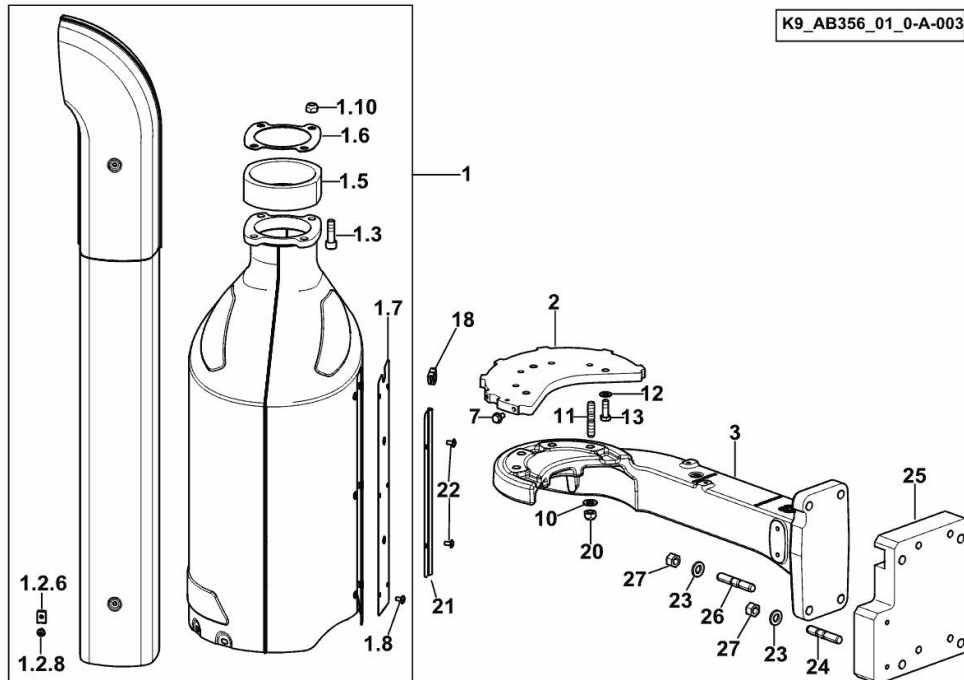


Fig.	P/n	QTY	Name
------	-----	-----	------

Notes:

[AUDAX 200] -> 50011

1	0.018.4601.4/50	1	guard
1.2.6	2.6999.064.6	4	special nut m 6
1.2.8	2.0339.030.0	4	screw m 6 x 12
1.3	2.0312.414.2	4	screw m 12 x 40
1.5	0.018.8019.0/20	1	insulating material
1.6	0.021.2042.0	1	gasket
1.7	0.020.0424.3/10	1	plate
1.8	2.0339.030.0	6	screw m 6 x 12
1.10	2.1121.008.2	4	nut m 12
2	0.018.3823.0/20	1	plate
3	0.018.3563.0/30	1	bracket
7	2.0139.045.0	7	screw m 8 x 16
10	2.1310.007.2	4	flat washer 13 x 24
11	2.0439.338.2/10	4	stud bolt m 12 p.1.75 x 40
12	2.1310.006.2	3	flat washer 10.5x21
13	2.0112.311.2	3	screw m 10 p.1.5 x 30
18	2.6569.089.0	3	grommet
20	2.1121.008.2	4	nut m 12
21	0.020.8556.0	1	guard
22	2.0339.030.0	2	screw m 6 x 12
23	2.1475.205.7	8	spring washer 15x35
24	2.0443.315.2	4	stud bolt
25	0.020.2724.0	1	plate
26	2.0453.315.2	4	stud bolt
27	2.1012.408.2	8	nut

Thank you so much for reading.
Please click the “Buy Now!”
button below to download the
complete manual.



After you pay.

You can download the most
perfect and complete manual in
the world immediately.

Our support email:

ebooklibonline@outlook.com