

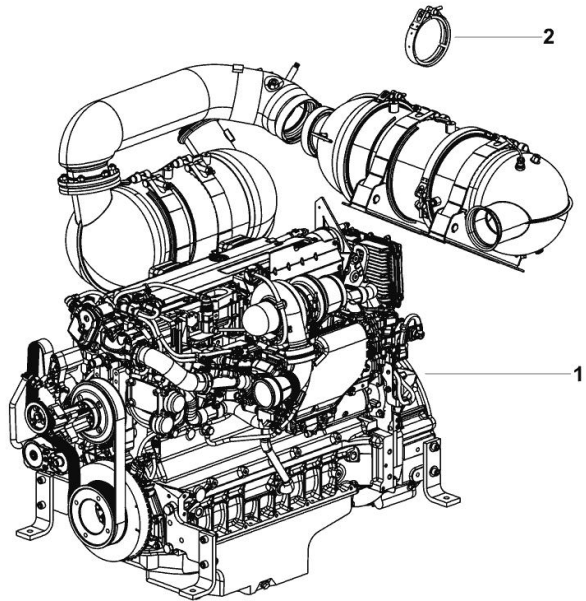
Section: B0 - ENGINE

**ENGINE TCD6.1 T4F 180Kw ECO**

Fig.	P/n	QTY	Name
------	-----	-----	------

Notes:  
[C 6205]

1	25011689	1	engine TCD6.1 T4F 180Kw ECO ON ORDERING PLEASE ENGINE NO. REQUIRED
2	04603586	2	clamp



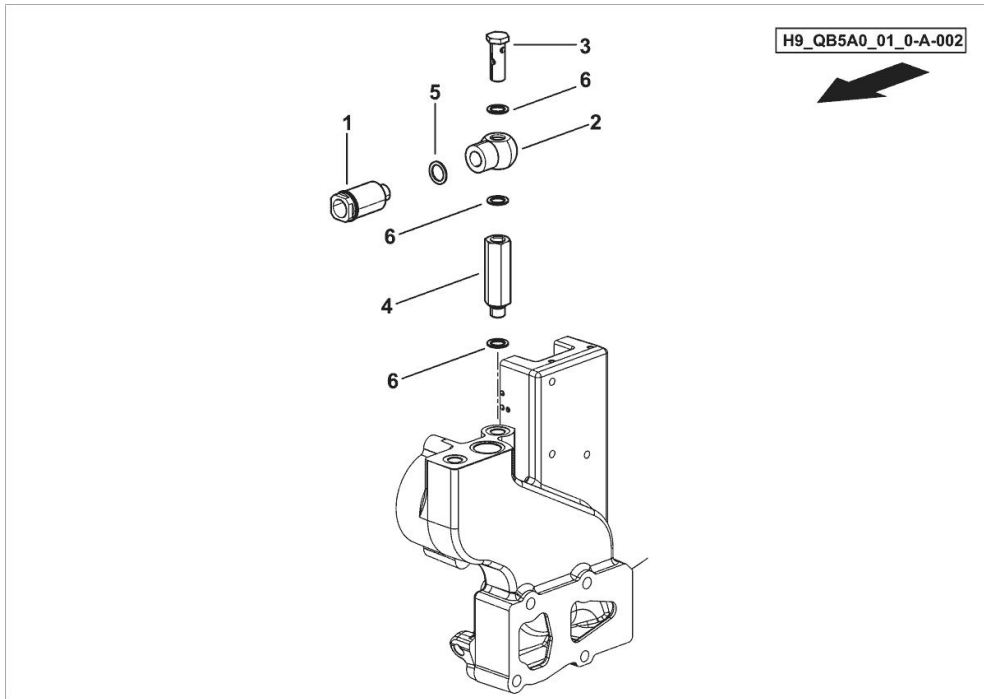
H9\_QD7A0\_00\_0-A-001

**PARTS SET - ENGINE MOUNTING**

Fig.	P/n	QTY	Name
------	-----	-----	------

Notes:  
[C 6205]

1	16064285	1	connection
2	2.3249.694.2	1	pipe fitting
3	2.3249.799.2	1	pipe union m14x1.5
4	2.3249.800.2	1	pipe union m14x1.5
5	2.1560.012.0	1	gasket 16.2 x 22
6	2.1560.010.0	3	gasket 14.2 x 20



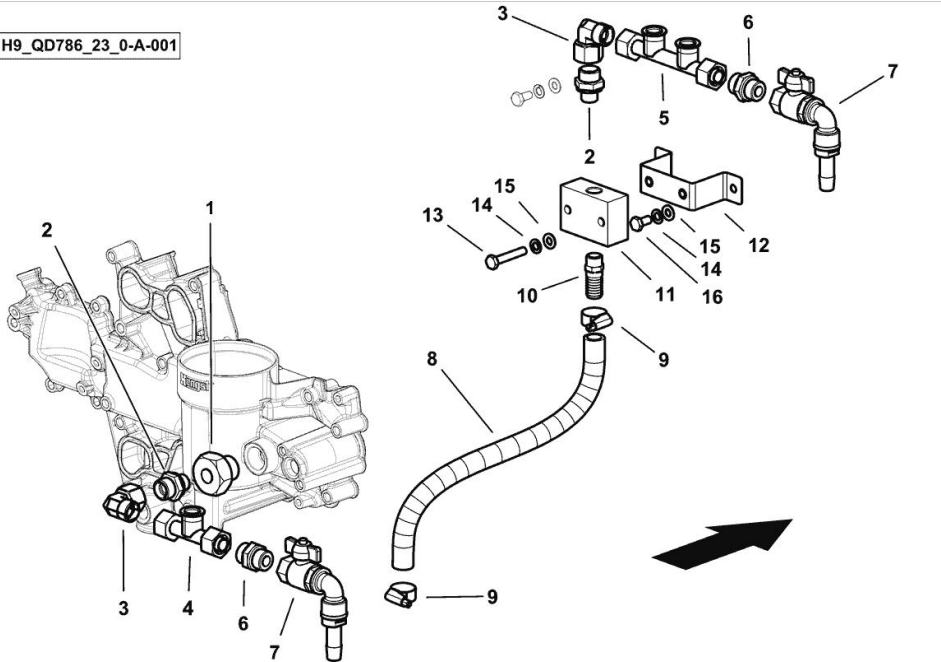
**PARTS SET - ENGINE MOUNTING**

Fig.	P/n	QTY	Name
------	-----	-----	------

Notes:  
[C 6205]

1	16061890	1	vent
2	16064263	2	pipe fitting m 22 p.1.5 / 3.8"
3	2.3249.269.2	2	pipe fitting Ø 15 ( L )
4	0.019.9138.3	1	tube
5	0.021.8561.3	1	pipe fitting
6	16064262	2	pipe fitting m 22 p.1.5 / 1.2"
7	0.019.4734.4	2	valve
8	0.019.6568.0	0.37	flexible hose
9	2.6851.001.0	2	clamp Ø 16/25
10	2.3248.110.2	1	pipe fitting
11	0.021.8618.0	1	small block
12	0.021.8602.3	1	bracket
13	2.0114.216.2	2	screw m 8 x 45
14	2.1474.009.2	4	spring washer 8
15	2.1310.004.2	4	flat washer 8.4x17
16	2.0114.205.2	2	screw m 8 p.1.25 x 16

H9\_QD786\_23\_0-A-001

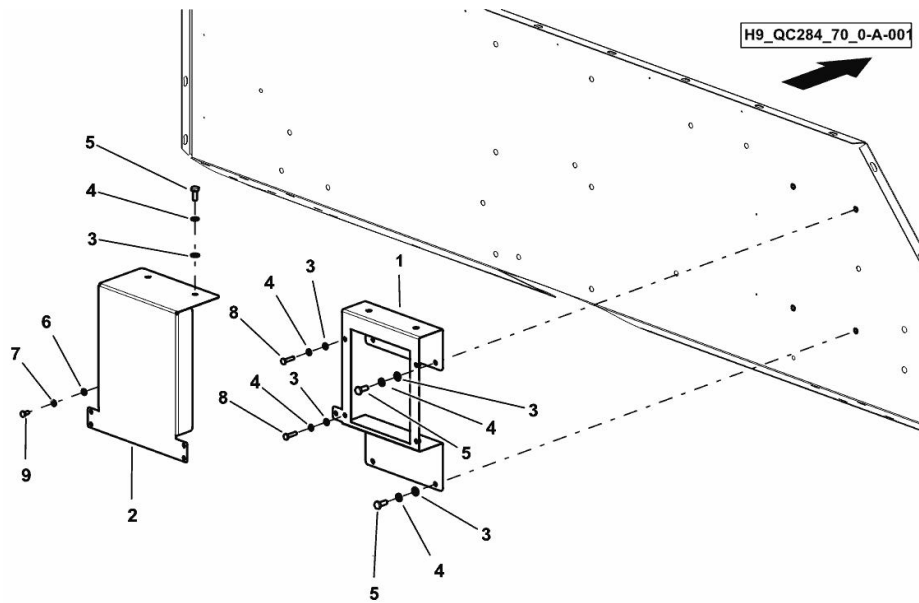


**ENGINE CONTROL UNIT COVER**

Fig.	P/n	QTY	Name
------	-----	-----	------

Notes:  
[C 6205]

1	0.019.5182.3	1	support
2	0.019.9306.0	1	guard
3	2.1310.004.2	6	flat washer 8.4x17
4	2.1474.009.2	6	spring washer 8
5	2.0114.207.2	6	screw m 8 p.1.25 x 20
6	2.1310.002.2	5	flat washer 6.4x12.5
7	2.1474.007.2	5	washer 6, d128
8	2.0112.009.2	4	screw m 6 p.1 x 25
9	2.0114.003.2	1	screw m 6 p.1 x 12

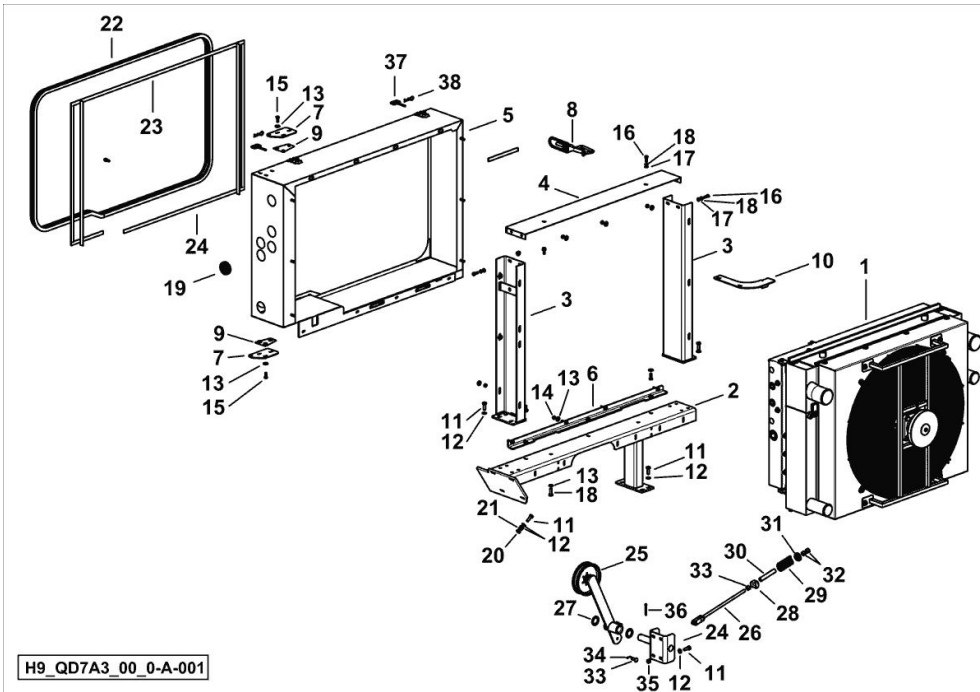


**COOLING SYSTEM**

Fig.	P/n	QTY	Name
------	-----	-----	------

**Notes:**

[C 6205]



H9\_QD7A3\_00\_0-A-001

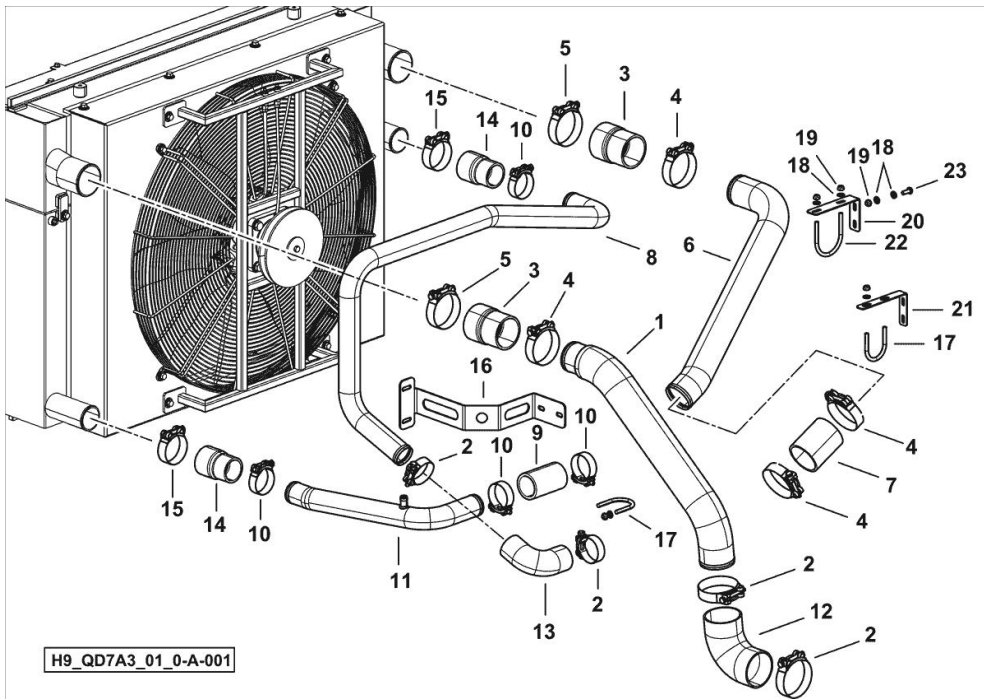
1	0.021.7896.4/10	1	cooler kpl. ( 18014 <- )
1	0.021.7896.4/20	1	cooler kpl. ( -> 18004 ) ☞ 0.021.7896.4/20
2	0.017.5156.3/10	1	crosspiece
3	0.021.7900.3	2	support
4	0.021.7905.3	1	plate
5	0.022.1480.3/10	1	support
6	0.021.8025.3	1	plate
7	16049941	2	plate
8	06259239	1	interlock
9	0.019.7527.3	2	plate
10	0.021.7956.0	1	plate
11	2.0114.311.2	22	screw m 10 p.1.25 x 30
12	2.1310.006.2	26	flat washer 10.5x21
13	06214192	23	washer 8.4
14	01104944	14	nut m 8, d985
15	01112326	6	screw m 8 x 22
16	2.0114.209.2	9	screw m 8 x 25
17	2.1310.004.2	6	flat washer 8.4x17
18	2.1474.009.2	6	spring washer 8
19	06273149	7	rubber bushing
20	06209768	4	nut m 10, d985
21	2.1474.010.2	4	washer 10
22	01396986	3.7	copper gasket 4300 mm
23	01393156	5.34	gasket
24	0.017.5829.3	1	support
25	0.017.5833.4/10	1	support
26	06501950/10	1	connecting rod
27	06214234	2	disc 31 x 45 x 2
28	06519261/10	1	disc
29	06215418/10	1	spring 6,0 x 35,0 x 82
30	06511966/10	1	tube
31	06515117	1	disc
32	01112858	5	nut m 12, d934
33	2.1671.407.2	1	pin 10 x 28
34	2.1690.306.2	1	split pin 3.2 x 16
35	2.1011.106.2	4	nut m 10 p.1.5
36	2.1690.515.2	1	split pin
37	06253194	2	hook
38	06264206	2	roll pin

**ENGINE COOLING SYSTEM PIPES**

Fig.	P/n	QTY	Name
------	-----	-----	------

Notes:  
[C 6205]

1	0.021.5269.0	1	tube
2	2.6859.110.0	2	clamp
3	0.022.2381.0	2	sleeve
4	2.6859.148.2	4	clamp Ø 79-85
5	2.6859.111.0	2	clamp Ø 80-85
6	0.021.5285.0	1	tube
7	0.021.5281.0/10	1	sleeve
8	0.021.5292.0	1	tube
9	0.018.1884.0	1	sleeve Ø 50/63
10	2.6859.155.0	6	clamp Ø 59/63
11	0.021.5316.0	1	tube
12	16049954	1	rubber tube Ø 80
13	16054482	1	rubber tube Ø 50
14	0.021.7848.0	2	sleeve
15	2.6859.147.0	2	clamp 65/70
16	0.022.0986.0	1	bracket
17	0.017.7182.0	2	u bolt m 8
18	2.1310.004.2	14	flat washer 8.4x17
19	2.1121.005.2	10	nut m 8 p.1.25
20	0.022.1545.0	1	support
21	0.022.1445.0	1	support
22	16049946/10	1	u bolt m 8
23	2.0112.207.2	4	screw m 8 p 1.25 x 20



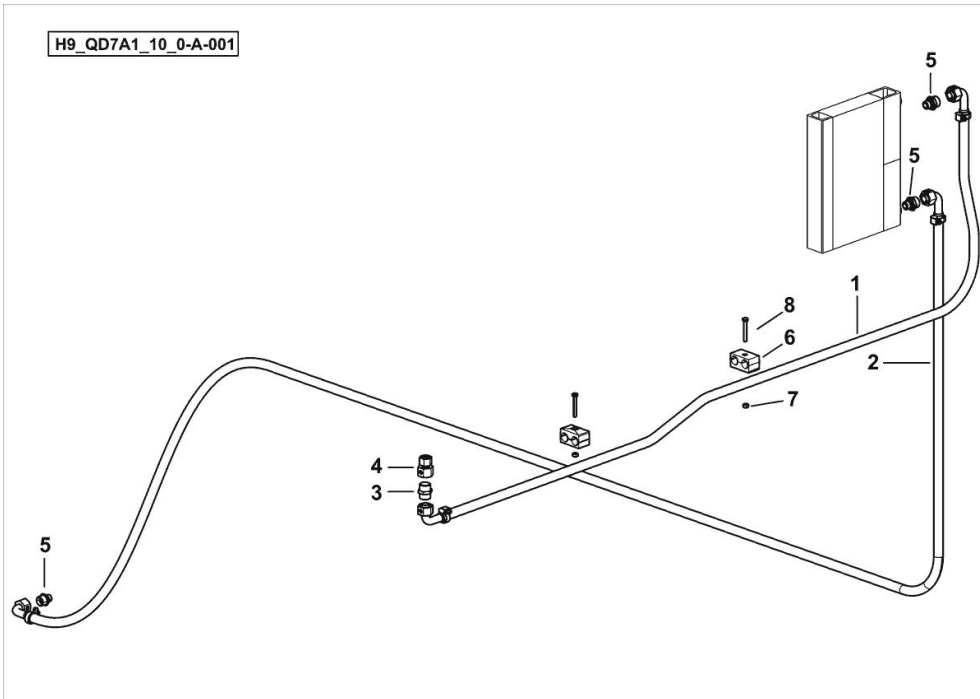
H9\_QD7A3\_01\_0-A-001

**FUEL COOLER PIPES**

Fig.	P/n	QTY	Name
------	-----	-----	------

Notes:  
[C 6205]

1	0.022.1440.3	1	tube
2	0.022.1441.3	1	tube
3	01116711	1	vent L 15
4	16056918	1	reduction
5	16048122	3	pipe fitting GE 15 PL
6	06272953	2	terminal Ø 18
7	01114357	2	nut m 6, d985
8	2.0114.016.2	2	screw m 16 p.1x45

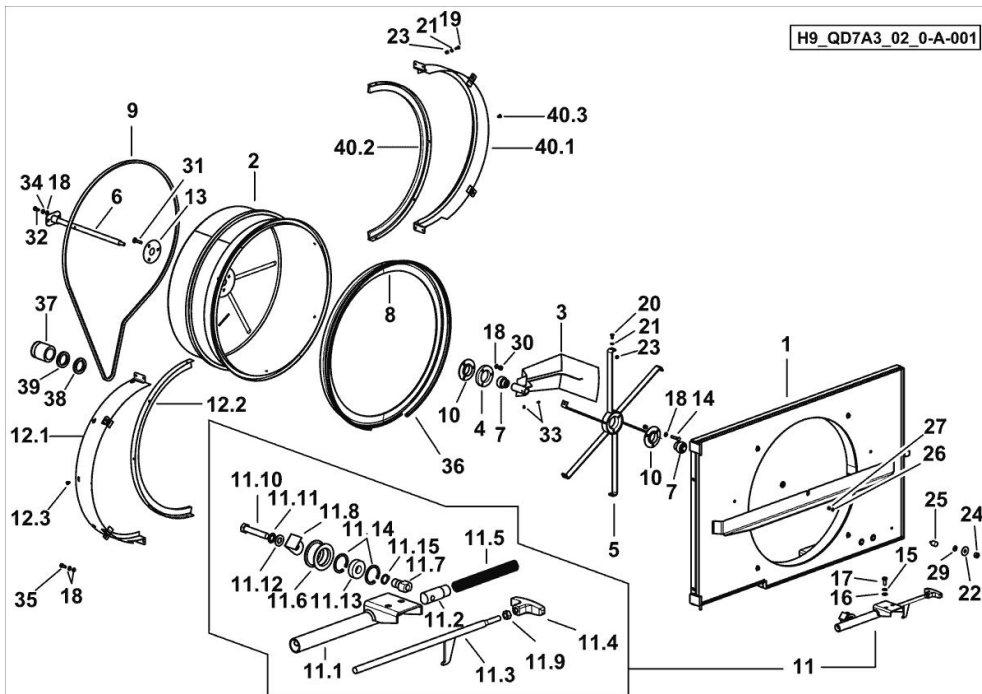


**ROTARY FILTER BASKET**

Fig.	P/n	QTY	Name
------	-----	-----	------

**Notes:**

[C 6205]

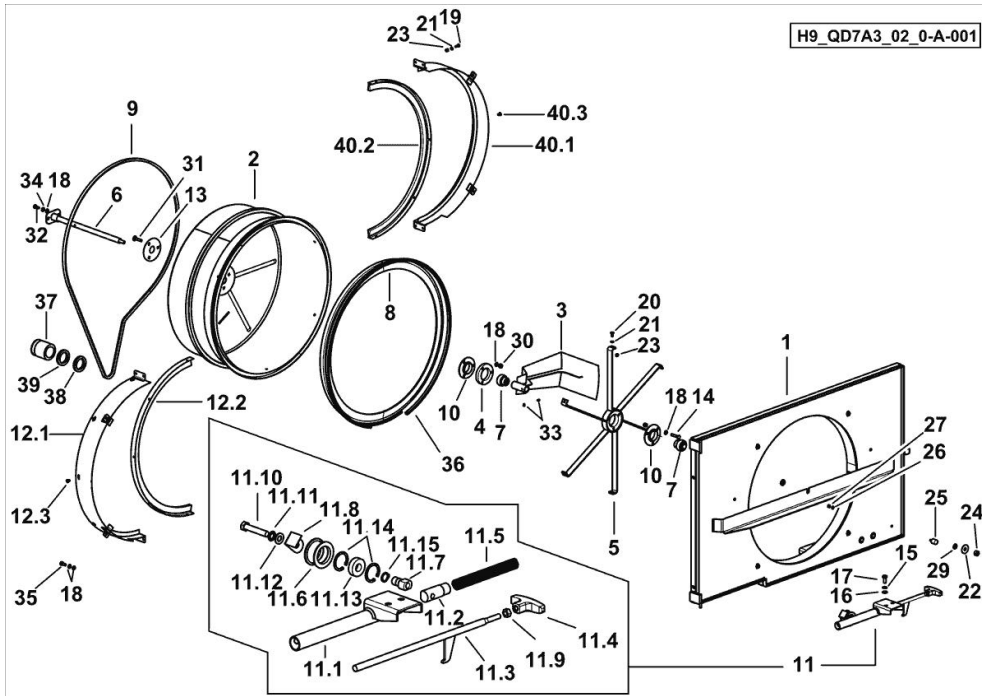


1	0.022.1505.3	1	cover
2	0.021.8961.3/10	1	filtering basket
3	0.021.8996.3	1	plate
4	16035507/10	1	disc Ø 54 / Ø 90 X 13
5	0.021.8992.3	1	wheel
6	0.018.7019.3/20	1	pin
7	06215739	2	bearing yb 20
8	0.019.1081.0	2.3	brush
9	2.4119.224.0	1	belt 13x2528 Li ROTARY FILTER BASKET CONTROL
10	06215781	2	bearing housing rb 20
11	0.020.7304.4	1	pulley
11.1	0.019.7188.3	1	tappet casing
11.2	0.020.7337.0	1	slider
11.3	0.020.2576.3	1	rod
11.4	0.020.3265.0	1	wing nut
11.5	06215299	1	spring
11.6	16050788	1	tensioner
11.7	0.020.6604.0	1	bush
11.8	16050785/10	1	angular
11.9	2.1012.106.2	1	nut
11.10	2.0112.422.2	1	screw m 12 p.1.75 x 65
11.11	2.1474.011.2	1	spring washer 12
11.12	2.1310.007.2	1	flat washer 13 x 24
11.13	01128197	1	bearing 2 RS
11.14	2.1411.016.7	2	circlip 40 x 1.75
11.15	2.1410.056.7	1	ring
12.1	0.021.8984.3	1	support
12.2	0.021.8978.4	1	guard
12.3	2.1899.094.0	5	rivet
13	0.018.6105.0	1	plate
14	2.0112.215.2	3	screw m 8 p.1.25 x 40
15	2.1474.010.2	2	washer 10
16	2.1310.006.2	2	flat washer 10.5x21
17	2.0114.309.2	2	screw m 10 p 1.25 x 25
18	2.1310.004.2	16	flat washer 8.4x17
19	2.0114.005.2	4	screw m 6 p.1.0 x 16
20	06214132	6	screw m 6 x 15, d921
21	2.1310.002.2	10	flat washer 6.4x12.5
22	2.1312.006.2	1	washer 14.5
23	2.1120.003.2	10	self-locking nut m 6



**ROTARY FILTER BASKET**

Fig.	P/n	QTY	Name
24	2.1011.107.2	1	nut m 12 p.1.75
25	06253864	1	silent-block
26	2.1474.007.2	1	washer 6, d128
27	2.1011.103.2	1	nut m 6 p.1
29	2.1310.007.2	1	flat washer 13 x 24
30	2.1120.005.2	6	nut m 8 p.1.25
31	2.0020.209.2	3	screw
32	2.0112.207.2	2	screw m 8 p 1.25 x 20
33	2.0532.103.7	2	grub screw
34	2.1474.009.2	2	spring washer 8
35	2.0114.207.2	4	screw m 8 p.1.25 x 20
36	01388766	2.15	gasket (mt. ...)
37	0.019.3568.0	1	pulley
38	0.019.3575.0	2	spacer
39	0.019.3599.0	2	spacer
40.1	0.021.8977.3	1	support
40.2	0.021.8978.4	1	guard
40.3	2.1899.094.0	5	rivet

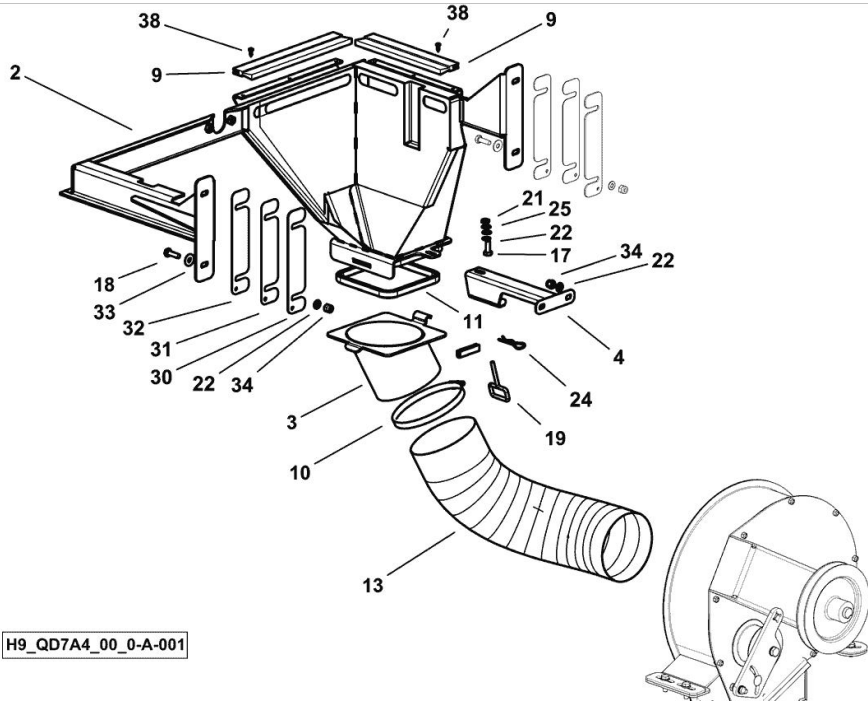


**ENGINE AIR SUCTION FAN**

Fig.	P/n	QTY	Name
------	-----	-----	------

Notes:  
[C 6205]

2	0.021.9045.3	1	bracket
3	0.021.9765.3	1	manifold
4	0.021.9125.3	1	bracket
9	0.019.2105.0	0.5	brush
10	2.6851.013.0	4	clamp 120-140
11	01388766	0.55	gasket (mt. ...)
13	16055244	1	flexible hose
17	2.0114.207.2	5	screw m 8 p.1.25 x 20
18	2.0114.209.2	6	screw m 8 x 25
19	06253194	1	hook
21	2.1011.205.2	3	nut m 8 p.1.25
22	2.1310.004.2	15	flat washer 8.4x17
24	06264206	1	roll pin
25	2.1474.009.2	3	spring washer 8
30	0.018.7661.0	2	plate
31	0.018.7660.0	2	plate
32	0.018.7659.0	2	plate
33	01174910	4	washer 9
34	2.1120.005.2	6	nut m 8 p.1.25
38	2.0350.454.2	6	screw 4.2x13



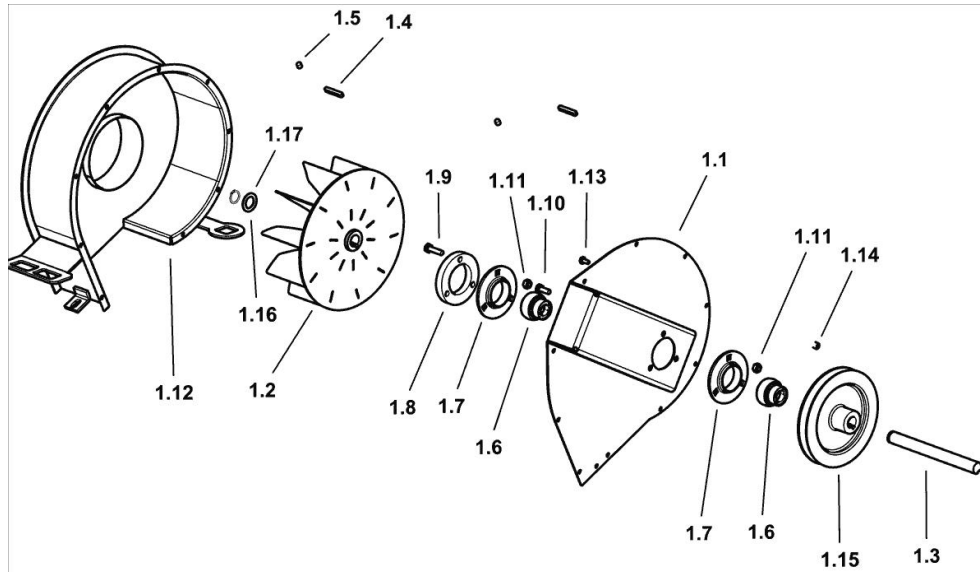
H9\_QD7A4\_00\_0-A-001

**ENGINE AIR SUCTION FAN**

Fig.	P/n	QTY	Name
------	-----	-----	------

**Notes:**

[C 6205]



1.1	0.017.2685.3	1	cover
1.2	16054620	1	fan
1.3	16054645/10	1	shaft
1.4	06212403	2	stick 6x6x40
1.5	06208993	2	grub screw m 8 x 10
1.6	06215739	2	bearing yb 20
1.7	06215781	2	bearing housing rb 20
1.8	16035507/10	1	disc Ø 54 / Ø 90 X 13
1.9	01112341	3	screw m 8 x 30, d933
1.10	01112322	3	screw m 8 p.1.25 x 20
1.11	01104944	6	nut m 8, d985
1.12	0.018.6708.3/10	1	ventilator body
1.13	01112240	9	screw m 6 x 12
1.14	01114357	9	nut m 6, d985
1.15	16054440	1	pulley 1/17x170
1.16	06214229	1	washer 21 x 32 x 2.0
1.17	2.1410.006.2	1	circlip Ø 20

H9\_QD7A4\_00\_0-C-001

Thank you so much for reading.  
Please click the “Buy Now!”  
button below to download the  
complete manual.



After you pay.

You can download the most  
perfect and complete manual in  
the world immediately.

Our support email:

[ebooklibonline@outlook.com](mailto:ebooklibonline@outlook.com)