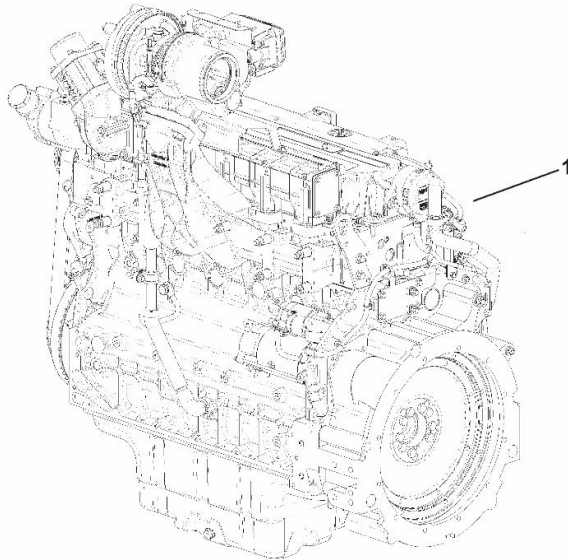


**ENGINE TCD 6.1 L6 T4I**

Fig.	P/n	QTY	Name
------	-----	-----	------

Notes:  
[C 7205]

1	25009793	1	engine TCD 6.1 L6 T4I ON ORDERING PLEASE ENGINE NO. REQUIRED
---	----------	---	--



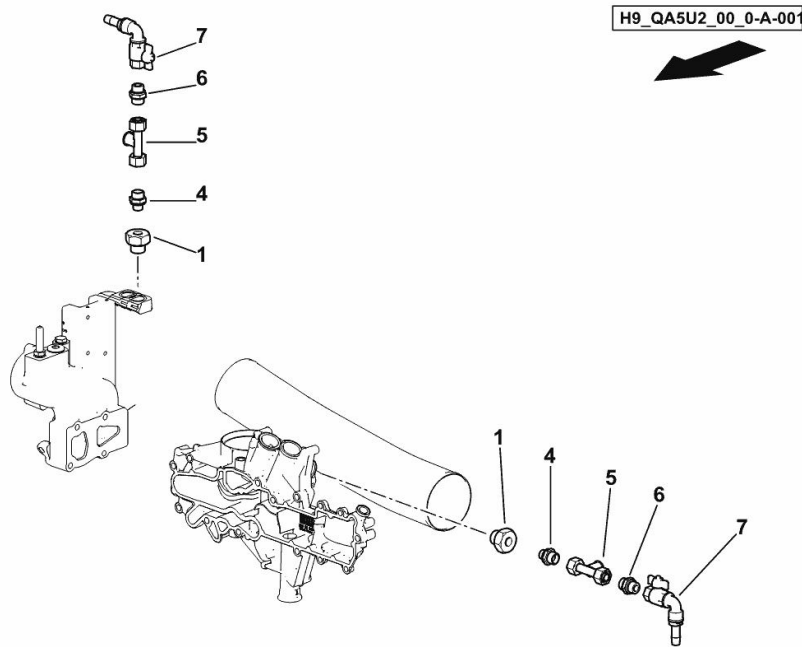
H9\_QA0A0\_00\_0-A-001

**PARTS SET - ENGINE MOUNTING**

Fig.	P/n	QTY	Name
------	-----	-----	------

Notes:  
[C 7205]

1	16061890	2	vent
4	16064263	2	pipe fitting m 22 p.1.5 / 3.8"
5	0.019.9138.3	2	tube
6	16064262	2	pipe fitting m 22 p.1.5 / 1.2"
7	0.019.4734.4	2	valve

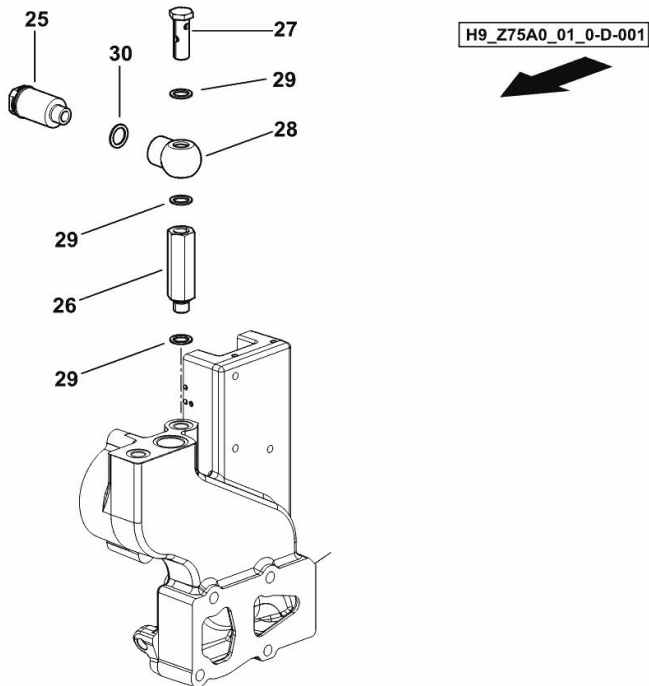


**PARTS SET - ENGINE MOUNTING**

Fig.	P/n	QTY	Name
------	-----	-----	------

Notes:  
[C 7205]

25	16064285	1	connection
26	2.3249.800.2	1	pipe union m14x1.5
27	2.3249.799.2	1	pipe union m14x1.5
28	2.3249.694.2	1	pipe fitting
29	2.1560.010.0	3	gasket 14.2 x 20
30	2.1560.012.0	1	gasket 16.2 x 22



**FASTENINGS**

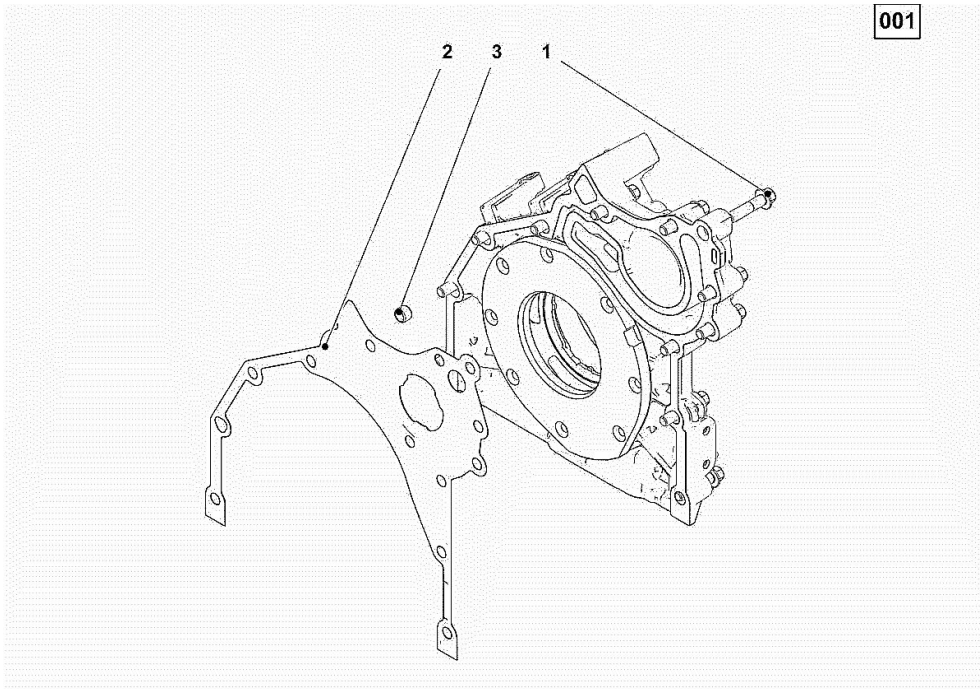
Fig.	P/n	QTY	Name
------	-----	-----	------

**Notes:**

[C 7205]

**Engine serial number:**

11326622 11326623 11383709 11383710 11383711 11387288 11441329 11493627 11493628 11493629 11493630  
 11493631 11493632 11493633 11493634 11493635 11493636 11493637 11493638 11493639 11493640 11493641  
 11493642 11493643 11493644 11493645 11493646 11504363



1	01143362	12	screw 5 Nm, 30 Nm. consult workshop manual EN 1662 -F-M8X35-10.9-A4C
2	04504325	1	gasket
3	01181406	1	bushing H 2341 -B11X8-FE/ZN12C*

**FASTENINGS**

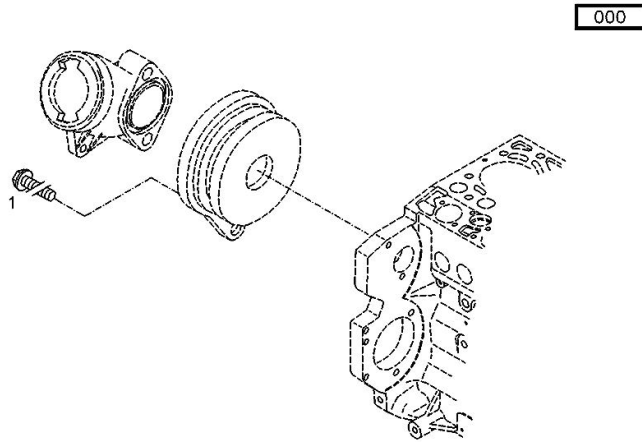
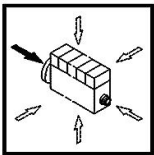
Fig.	P/n	QTY	Name
------	-----	-----	------

**Notes:**  
[C 7205]

**Engine serial number:**

11326622 11326623 11383709 11383710 11383711 11387288 11441329 11493627 11493628 11493629 11493630  
11493631 11493632 11493633 11493634 11493635 11493636 11493637 11493638 11493639 11493640 11493641  
11493642 11493643 11493644 11493645 11493646 11504363

1	01181438	1	screw 30 Nm EN 1662 -F-M8X55-10.9-ZNAL-A
2	01181437	3	screw 20 Nm EN 1662 -F-M8X45-10.9-ZNAL-A



Section: B0 - ENGINE  
**SERIE GUARNIZIONI**

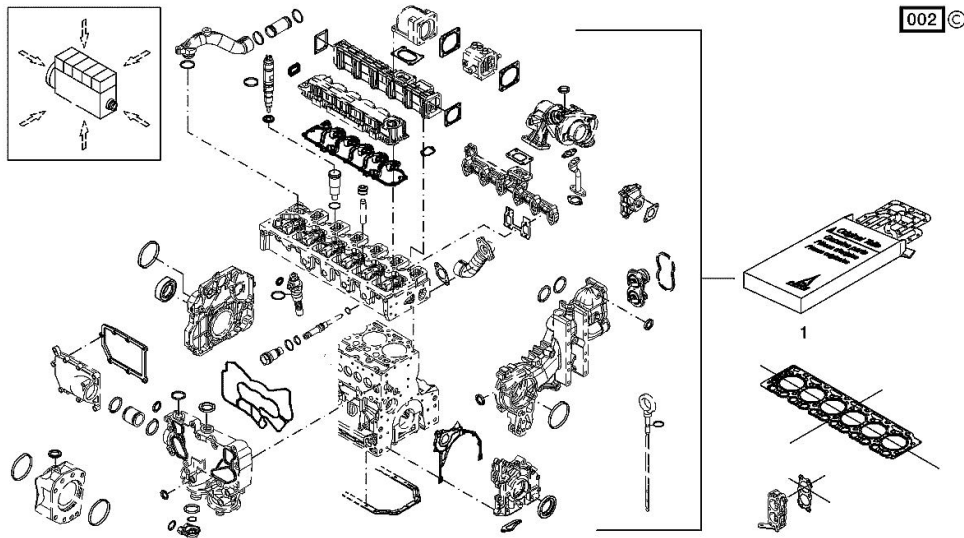
Fig.	P/n	QTY	Name
------	-----	-----	------

Notes:  
 [C 7205]

**Engine serial number:**

11326622 11326623 11383709 11383710 11383711 11387288 11441329 11493627 11493628 11493629 11493630  
 11493631 11493632 11493633 11493634 11493635 11493636 11493637 11493638 11493639 11493640 11493641  
 11493642 11493643 11493644 11493645 11493646 11504363

1	02937844	1	gasket set THE KIT DOES NOT CONTAIN ALL THE GASKETS: SEE SM 0199-99-9449
---	----------	---	--



Section: B0 - ENGINE

**BLEEDING TUBE**

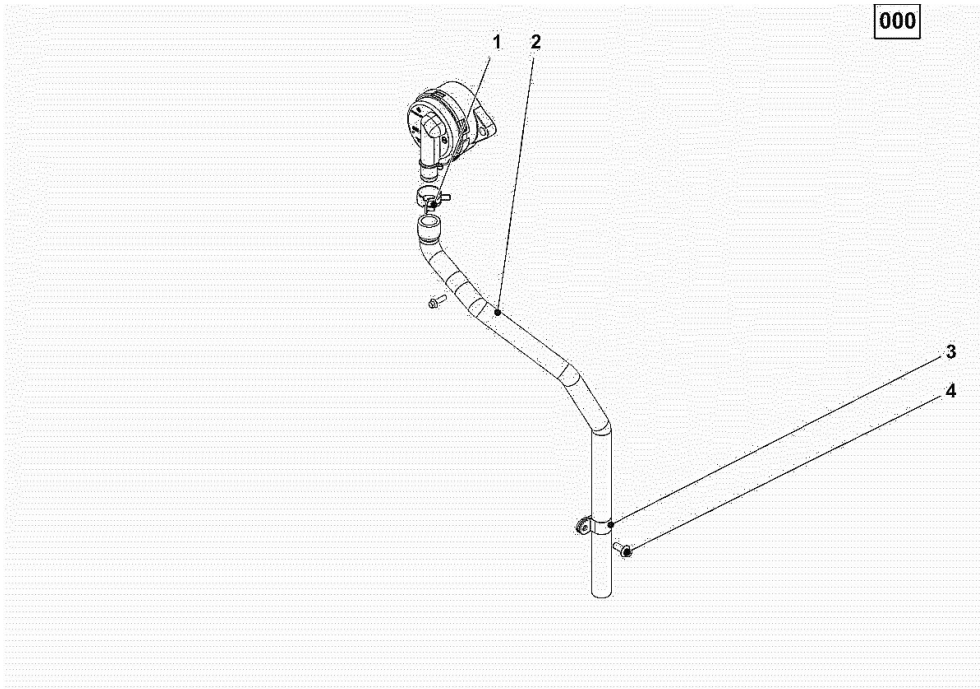
Fig.	P/n	QTY	Name
------	-----	-----	------

**Notes:**

[C 7205]

**Engine serial number:**

11326622 11326623 11383709 11383710 11383711 11387288 11441329 11493627 11493628 11493629 11493630  
 11493631 11493632 11493633 11493634 11493635 11493636 11493637 11493638 11493639 11493640 11493641  
 11493642 11493643 11493644 11493645 11493646 11504363



1	01178750	1	clamp DIN 3021 -A-29X15
2	04504657	1	tube
3	01173523	2	fascia DIN 3016 -1-A1-25X20-W1-2
4	01181433	1	screw 20 Nm EN 1662 -F-M8X20-LG2,5-10.9-ZNAL-A

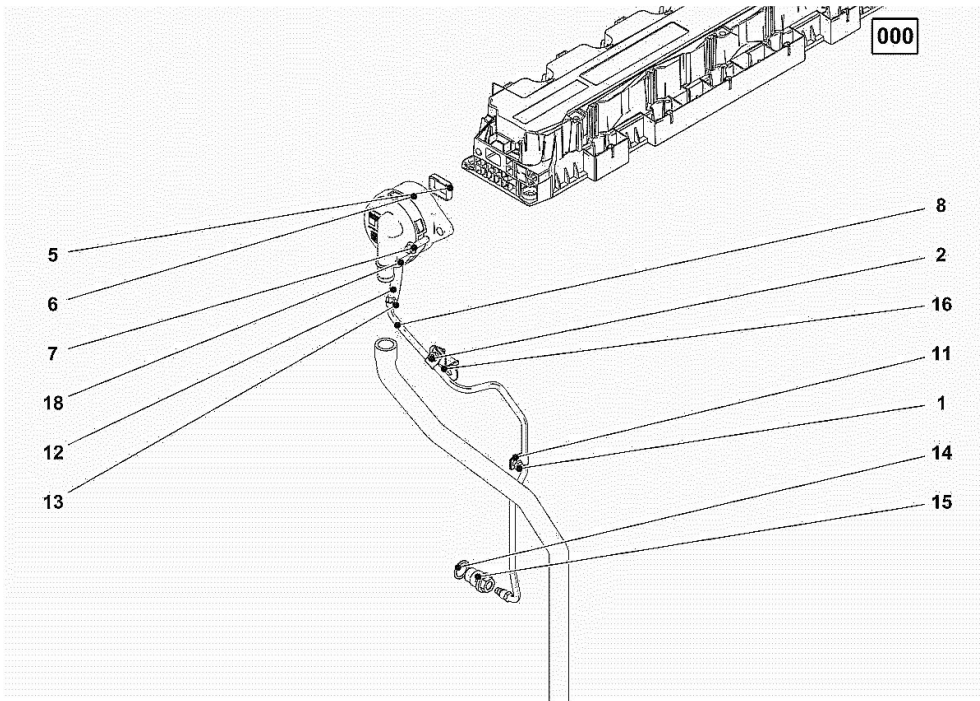
Section: B0 - ENGINE  
**CRANKCASE BREATHER**

Fig.	P/n	QTY	Name
------	-----	-----	------

**Notes:**  
[C 7205]

**Engine serial number:**

11326622 11326623 11383709 11383710 11383711 11387288 11441329 11493627 11493628 11493629 11493630  
11493631 11493632 11493633 11493634 11493635 11493636 11493637 11493638 11493639 11493640 11493641  
11493642 11493643 11493644 11493645 11493646 11504363



1	01181442	1	screw m6x12 13 Nm EN 1662 -F-M6X12-10.9-ZNAL-A
2	01181433	1	screw 13 Nm EN 1662 -F-M8X20-LG2,5-10.9-ZNAL-A
5	04298547	1	rubber plug
6	04905110	1	breather WITH POS.... (5)
7	01181432	2	screw m8x30 21 Nm EN 1662 -F-M8X30-10.9-ZNAL-A
8	04504866	1	tube WITH POS.... 11-13 20 Nm
11	02144961	2	fascia
12	04291246	1	rubber tube H 3407 -F8X14X72-EAM/ARAMID/EAM
13	01182878	1	fascia H 3461 -F-13,0/8
14	01118737	1	oil seal 22 x 27 DIN 7603 -A22X27-CU
15	04505853	1	pipe union 80 Nm
16	04504828	1	support
18	01182878	1	fascia H 3461 -F-13,0/8



Section: B0 - ENGINE  
**KURBELGEHAEUSE**

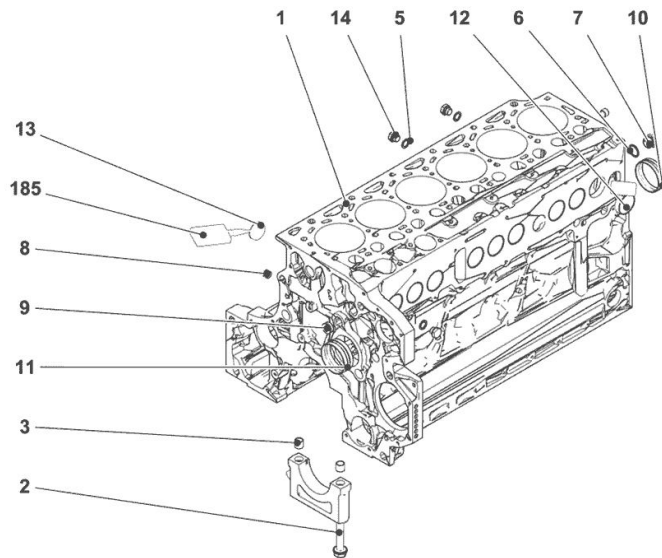
Fig.	P/n	QTY	Name
------	-----	-----	------

Notes:  
 [C 7205]

**Engine serial number:**

11326622 11326623 11383709 11383710 11383711 11387288 11441329 11493627 11493628 11493629 11493630  
 11493631 11493632 11493633 11493634 11493635 11493636 11493637 11493638 11493639 11493640 11493641  
 11493642 11493643 11493644 11493645 11493646 11504363

000



1	04600334	1	crankcase MIT POS.... (2,3,5-14)
2	04254240	14	screw 50 Nm , 90° , 90°
3	04160764	14	bushing
5	01148836	2	oil seal DIN 7603 -D14X20-CU-VERZINNT
6	01148863	1	rubber plug DIN 7603 -D22X27-CU-VERZINNT
7	04292706	1	plug 80 Nm
8	01182031	2	screw 35 Nm H 2812 -906-M14X1,5-ST-A3C-LOCTITE506
9	04226536	1	bottom 30 Nm
10	04507244	6	bushing
11	04507765	1	bushing
12	01148032	9	cover DIN 443 -A45-ZNPHR
13	01148031	6	plug DIN 443 -A36-ZNPHR
14	01100940	2	screw 35 Nm DIN 7604 -AM14X1,5-ST-A4C
185	01319910	1	guard

**ACCESSORIES**

Fig.	P/n	QTY	Name
------	-----	-----	------

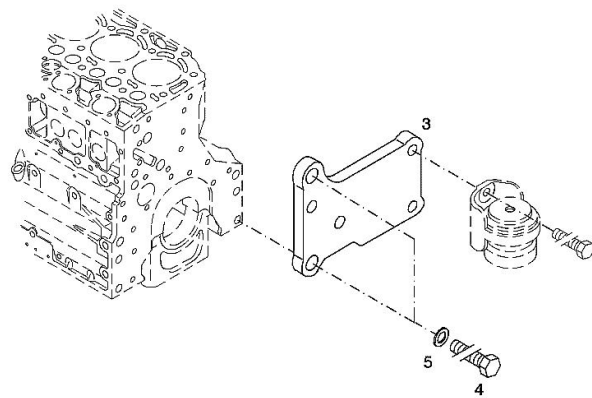
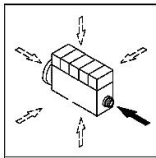
**Notes:**  
[C 7205]

**Engine serial number:**

11326622 11326623 11383709 11383710 11383711 11387288 11441329 11493627 11493628 11493629 11493630  
11493631 11493632 11493633 11493634 11493635 11493636 11493637 11493638 11493639 11493640 11493641  
11493642 11493643 11493644 11493645 11493646 11504363

3	04288659	1	support
4	01148261	2	screw ISO 4017 -M16X40-10.9-ZNAL-A
5	01181400	2	washer H 2308 -18X25X1,5-A4C

006 ©



**ACCESSORIES**

Fig.	P/n	QTY	Name
------	-----	-----	------

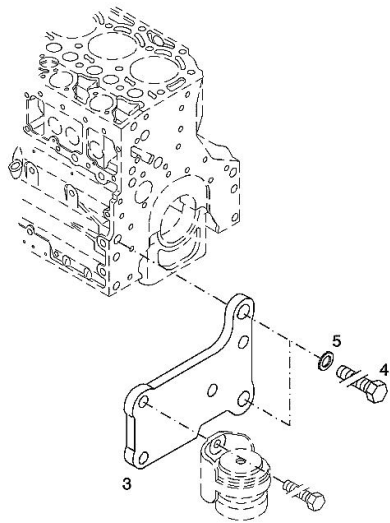
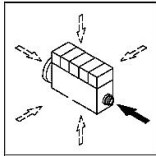
**Notes:**  
[C 7205]

**Engine serial number:**

11326622 11326623 11383709 11383710 11383711 11387288 11441329 11493627 11493628 11493629 11493630  
11493631 11493632 11493633 11493634 11493635 11493636 11493637 11493638 11493639 11493640 11493641  
11493642 11493643 11493644 11493645 11493646 11504363

3	04288660	1	support
4	01148261	2	screw ISO 4017 -M16X40-10.9-ZNAL-A
5	01181400	2	washer H 2308 -18X25X1,5-A4C

003 ©



Thank you so much for reading.  
Please click the “Buy Now!”  
button below to download the  
complete manual.



After you pay.

You can download the most  
perfect and complete manual in  
the world immediately.

Our support email:

[ebooklibonline@outlook.com](mailto:ebooklibonline@outlook.com)