

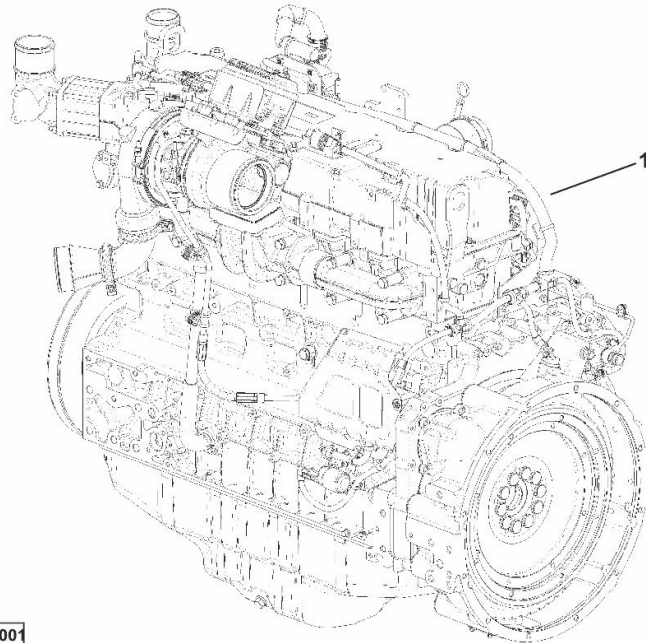
**ENGINE TCD 7.8 L6 T4I**

Fig.	P/n	QTY	Name
------	-----	-----	------

**Notes:**

[C 7206 TS/TSB]

1	25009717	1	engine TCD 7.8 L6 T4I ON ORDERING PLEASE ENGINE NO. REQUIRED
---	----------	---	--



H9\_QA4A0\_00\_0-A-001

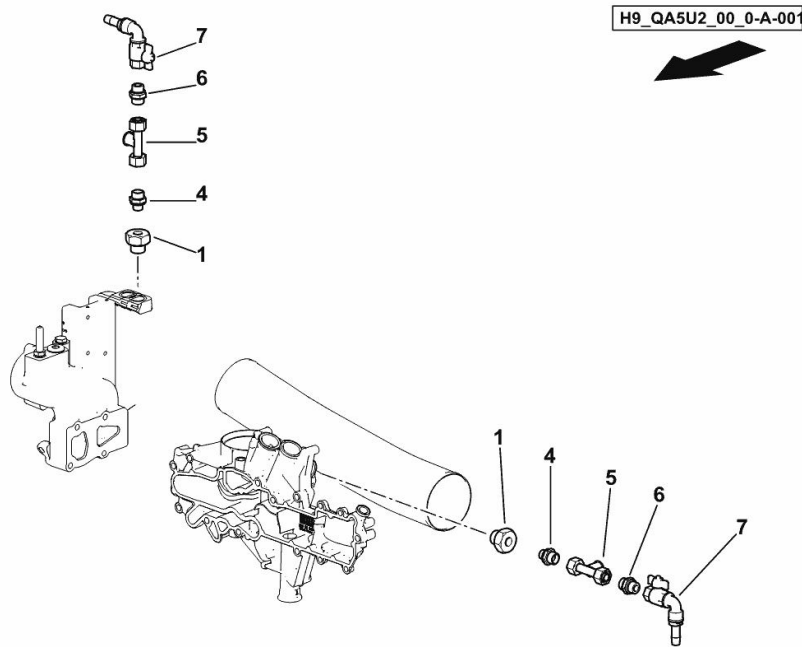
**PARTS SET - ENGINE MOUNTING**

Fig.	P/n	QTY	Name
------	-----	-----	------

**Notes:**

[C 7206 TS/TSB]

1	16061890	2	vent
4	16064263	2	pipe fitting m 22 p.1.5 / 3.8"
5	0.019.9138.3	2	tube
6	16064262	2	pipe fitting m 22 p.1.5 / 1.2"
7	0.019.4734.4	2	valve



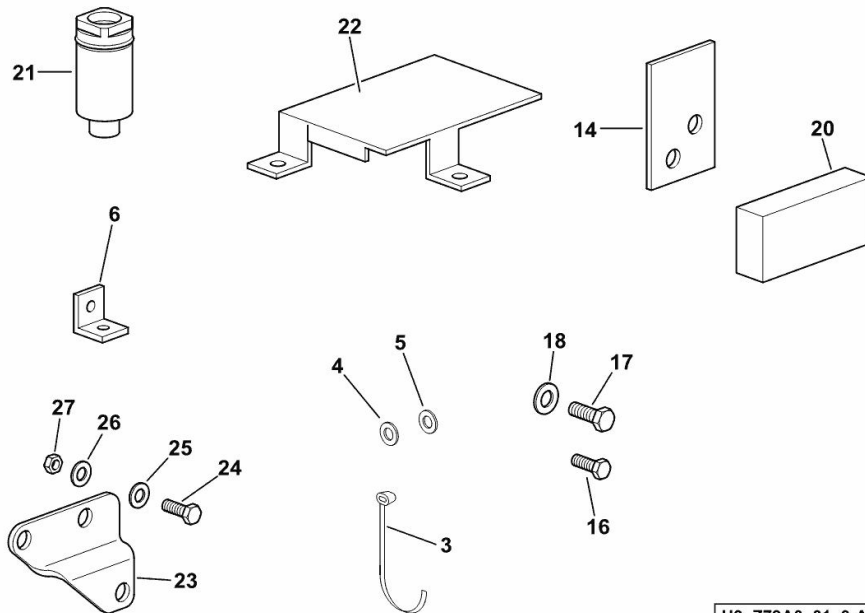
**PARTS SET - ENGINE MOUNTING**

Fig.	P/n	QTY	Name
------	-----	-----	------

**Notes:**

[C 7206 TS/TSB]

3	06216480	6	clamp 4,8 x 360
4	06214189	4	washer 6.4
5	01102797	2	washer 6, d128
6	16006188/10	1	support
14	16061552	4	plate
16	01112264	1	screw m 6 x 20, d933
17	01112299	1	screw m 8 x 12, d933
18	01102799	1	washer 8, d128
20	0.015.8833.0	1	shim 30 x 50 x 15
21	16064238	1	vent
22	16064187	1	small guard
23	0.017.5544.0	1	bracket
24	2.0114.207.2	2	screw m 8 p.1.25 x 20
25	2.1474.009.2	1	spring washer 8
26	2.1310.004.2	2	flat washer 8.4x17
27	2.1120.005.2	1	nut m 8 p.1.25



H9\_Z79A0\_01\_0-A-003

**FASTENINGS**

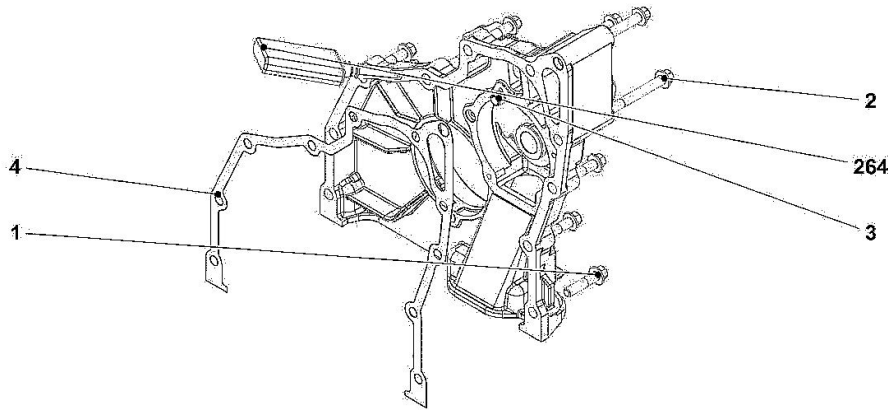
Fig.	P/n	QTY	Name
------	-----	-----	------

**Notes:**  
[C 7206 TS/TSB]

**Engine serial number:**

11299601	11307103	11326915	11328940	11337159	11337160	11337161	11340255	11341924	11341925	11341926
11341927	11341928	11350943	11350944	11350945	11350946	11350947	11350948	11350949	11350950	11375569
11375570	11375571	11375572	11375573	11382547	11382548	11382549	11382550	11382551	11382552	11383530
11383531	11388524	11388525	11388526	11388527	11388528	11388529	11388530	11388531	11391370	11391371
11391372	11391373	11391374	11395333	11395334	11395335	11399533	11399534	11399535	11399536	11399537
11399538	11399539	11399540	11399541	11399542	11399543	11399544	11399545	11399546	11399547	11399548
11413069	11417459	11426359	11426360	11431201	11431202	11431203	11431204	11431205	11431206	11436809
11436810	11436811	11463445	11465719	11476775	11482197	11482198	11482199	11482200	11482201	11482202
11482203	11482204	11482205	11482206	11491763	11491764	11491765	11491766	11491767	11491768	11491769
11491770	11491771	11491772	11491773	11491774	11493647	11493648	11513765	11513766	11513767	11513768
11513769	11519599	11521525	11521526	11521527	11521528	11521529	11521530	11521531	11521532	11521533
11521534	11522258	11522259	11522260	11522261	11522262	11522263	11522264	11522265	11522266	11522267
11522968	11522969	11522970	11522971	11522972	11522973	11522974	11522975	11522976	11522977	11523329
11523330	11523331	11523332	11523333	11523334	11523335	11523336	11523337	11523338	11524431	11524432
11524433	11524434	11524435	11524436	11524437	11524438	11524439	11524663	11524664	11524665	11524666
11524667	11524668	11524669	11528647	11528648	11528649	11528650	11528651	11528652	11528653	11528654
11528655	11528656	11543611	11543612	11543613	11543614	11543814	11543815	11543816	11543817	11543818
11543819	11543820	11543821	11543822	11543823	11544502	11544503	11544504	11544505	11544506	11544507
11544508	11544710	11544711	11544712	11544713	11544714	11544715	11544716	11544717	11544778	11544779
11544780	11545643	11545644	11545645	11545646	11545647	11545648	11545649	11545650	11545651	11545652
11546385	11546386	11546387	11546388	11546389	11546390	11546391	11546392	11546393	11546394	11546709
11546710	11546711	11546712	11546713	11546714	11546715	11546716	11546717	11546718	11546719	11546720
11546721	11546722	11546723	11546724	11546725	11546726	11546727	11546728	11547103	11547104	11547105
11547106	11547107	11547108	11547109	11547110	11547111	11547112	11547134	11547135	11547136	11547137
11547138	11547139	11547140	11547141	11547142	11547143	11547701	11547702	11547703	11547704	11547705
11547706	11547716	11547717	11547718	11547719	11547720	11547721	11547722	11547723	11547724	11547725
11547726	11547727	11547728	11547729	11547730						

004



1	01143362	8	screw
2	01180114	3	screw
3	01181406	1	bushing
4	04294952	1	gasket
264	04297097	1	sealing compound

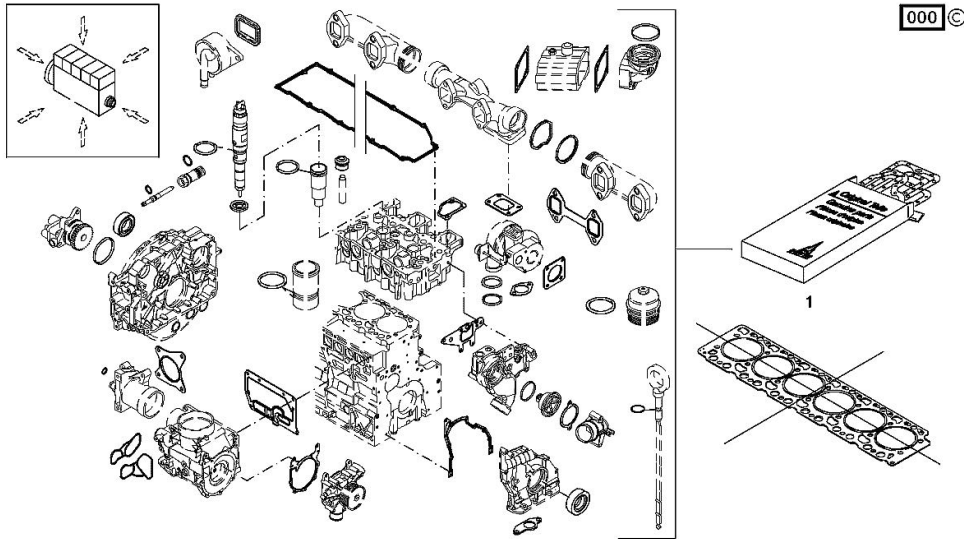
Section: B0 - ENGINE  
**SERIE GUARNIZIONI**

Fig.	P/n	QTY	Name
------	-----	-----	------

**Notes:**  
 [C 7206 TS/TSB]

**Engine serial number:**

11299601 11307103 11326915 11328940 11337159 11337160 11337161 11340255 11341924 11341925 11341926  
 11341927 11341928 11350943 11350944 11350945 11350946 11350947 11350948 11350949 11350950 11375569  
 11375570 11375571 11375572 11375573 11382547 11382548 11382549 11382550 11382551 11382552 11383530  
 11383531 11388524 11388525 11388526 11388527 11388528 11388529 11388530 11388531 11391370 11391371  
 11391372 11391373 11391374 11395333 11395334 11395335 11399533 11399534 11399535 11399536 11399537  
 11399538 11399539 11399540 11399541 11399542 11399543 11399544 11399545 11399546 11399547 11399548  
 11413069 11417459 11426359 11426360 11431201 11431202 11431203 11431204 11431205 11431206 11436809  
 11436810 11436811



1	02937622	1	gasket set The gasket kit does not contain: GASKET IN FIG. (SM 0199-99-9449)
---	----------	---	---

**SERIE GUARNIZIONI**

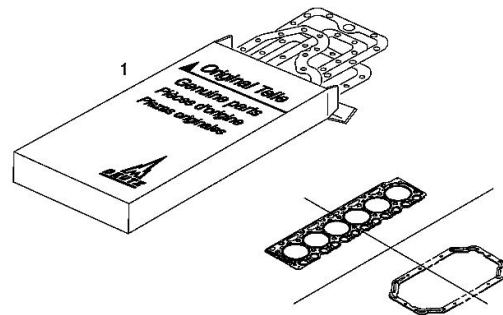
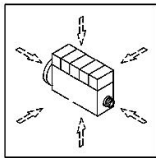
Fig.	P/n	QTY	Name
------	-----	-----	------

**Notes:**

[C 7206 TS/TSB]

**Engine serial number:**

11463445 11465719 11476775 11482197 11482198 11482199 11482200 11482201 11482202 11482203 11482204  
 11482205 11482206 11491763 11491764 11491765 11491766 11491767 11491768 11491769 11491770 11491771  
 11491772 11491773 11491774 11493647 11493648 11513765 11513766 11513767 11513768 11513769 11519599  
 11521525 11521526 11521527 11521528 11521529 11521530 11521531 11521532 11521533 11521534 11522258  
 11522259 11522260 11522261 11522262 11522263 11522264 11522265 11522266 11522267 11522968 11522969  
 11522970 11522971 11522972 11522973 11522974 11522975 11522976 11522977 11523329 11523330 11523331  
 11523332 11523333 11523334 11523335 11523336 11523337 11523338 11524431 11524432 11524433 11524434  
 11524435 11524436 11524437 11524438 11524439 11524663 11524664 11524665 11524666 11524667 11524668  
 11524669 11528647 11528648 11528649 11528650 11528651 11528652 11528653 11528654 11528655 11528656  
 11543611 11543612 11543613 11543614 11543814 11543815 11543816 11543817 11543818 11543819 11543820  
 11543821 11543822 11543823 11544502 11544503 11544504 11544505 11544506 11544507 11544508 11544710  
 11544711 11544712 11544713 11544714 11544715 11544716 11544717 11544778 11544779 11544780 11545643  
 11545644 11545645 11545646 11545647 11545648 11545649 11545650 11545651 11545652 11546385 11546386  
 11546387 11546388 11546389 11546390 11546391 11546392 11546393 11546394 11546709 11546710 11546711  
 11546712 11546713 11546714 11546715 11546716 11546717 11546718 11546719 11546720 11546721 11546722  
 11546723 11546724 11546725 11546726 11546727 11546728 11547103 11547104 11547105 11547106 11547107  
 11547108 11547109 11547110 11547111 11547112 11547134 11547135 11547136 11547137 11547138 11547139  
 11547140 11547141 11547142 11547143 11547701 11547702 11547703 11547704 11547705 11547706 11547716  
 11547717 11547718 11547719 11547720 11547721 11547722 11547723 11547724 11547725 11547726 11547727  
 11547728 11547729 11547730



1	02937871	1	gasket set The gasket kit does not contain: GASKET IN FIG. (SM 0199-99-9449)
---	----------	---	---

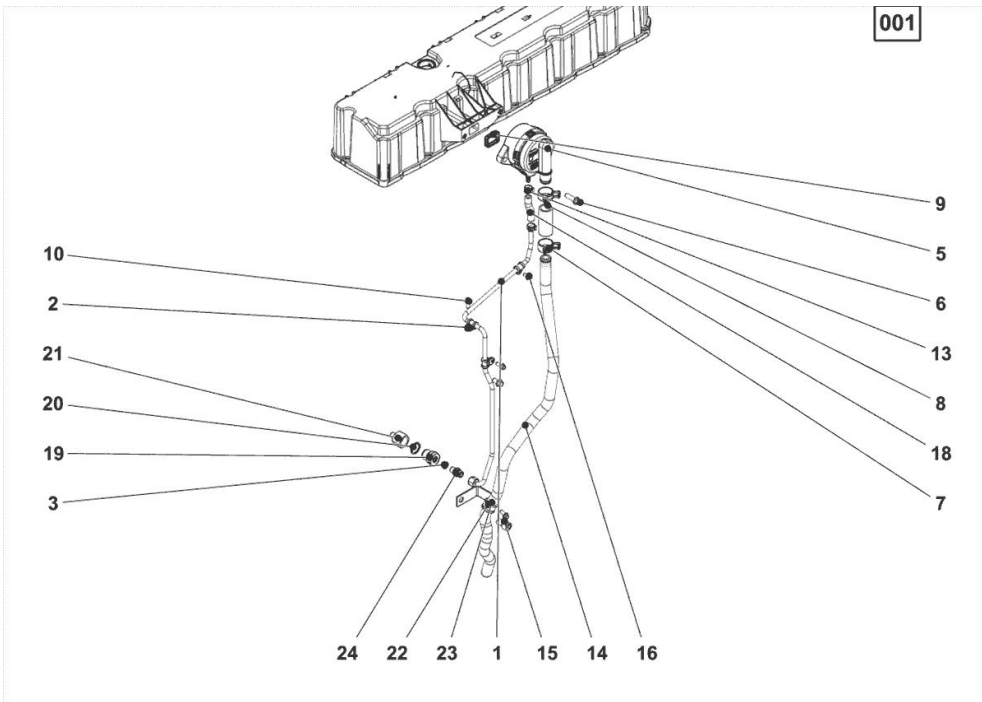
Section: B0 - ENGINE  
**KURB.GEH.ENTLUEFT.**

Fig.	P/n	QTY	Name
------	-----	-----	------

Notes:  
 [C 7206 TS/TSB]

**Engine serial number:**

- 11299601 11307103 11326915 11328940 11337159 11337160 11337161 11340255 11341924 11341925 11341926
- 11341927 11341928 11350943 11350944 11350945 11350946 11350947 11350948 11350949 11350950 11375569
- 11375570 11375571 11375572 11375573 11382547 11382548 11382549 11382550 11382551 11382552 11383530
- 11383531 11388524 11388525 11388526 11388527 11388528 11388529 11388530 11388531 11391370 11391371
- 11391372 11391373 11391374 11395333 11395334 11395335 11399533 11399534 11399535 11399536 11399537
- 11399538 11399539 11399540 11399541 11399542 11399543 11399544 11399545 11399546 11399547 11399548
- 11413069 11417459 11426359 11426360 11431201 11431202 11431203 11431204 11431205 11431206 11436809
- 11436810 11436811 11463445 11465719 11476775 11482197 11482198 11482199 11482200 11482201 11482202
- 11482203 11482204 11482205 11482206 11491763 11491764 11491765 11491766 11491767 11491768 11491769
- 11491770 11491771 11491772 11491773 11491774 11493647 11493648 11513765 11513766 11513767 11513768
- 11513769 11519599 11521525 11521526 11521527 11521528 11521529 11521530 11521531 11521532 11521533
- 11521534 11522258 11522259 11522260 11522261 11522262 11522263 11522264 11522265 11522266 11522267
- 11522968 11522969 11522970 11522971 11522972 11522973 11522974 11522975 11522976 11522977 11523329
- 11523330 11523331 11523332 11523333 11523334 11523335 11523336 11523337 11523338 11524431 11524432
- 11524433 11524434 11524435 11524436 11524437 11524438 11524439 11524663 11524664 11524665 11524666
- 11524667 11524668 11524669 11528647 11528648 11528649 11528650 11528651 11528652 11528653 11528654
- 11528655 11528656 11543611 11543612 11543613 11543614 11543814 11543815 11543816 11543817 11543818
- 11543819 11543820 11543821 11543822 11543823 11544502 11544503 11544504 11544505 11544506 11544507
- 11544508 11544710 11544711 11544712 11544713 11544714 11544715 11544716 11544717 11544778 11544779
- 11544780 11545643 11545644 11545645 11545646 11545647 11545648 11545649 11545650 11545651 11545652
- 11546385 11546386 11546387 11546388 11546389 11546390 11546391 11546392 11546393 11546394 11546709
- 11546710 11546711 11546712 11546713 11546714 11546715 11546716 11546717 11546718 11546719 11546720
- 11546721 11546722 11546723 11546724 11546725 11546726 11546727 11546728 11547103 11547104 11547105
- 11547106 11547107 11547108 11547109 11547110 11547111 11547112 11547134 11547135 11547136 11547137
- 11547138 11547139 11547140 11547141 11547142 11547143 11547701 11547702 11547703 11547704 11547705
- 11547706 11547716 11547717 11547718 11547719 11547720 11547721 11547722 11547723 11547724 11547725
- 11547726 11547727 11547728 11547729 11547730

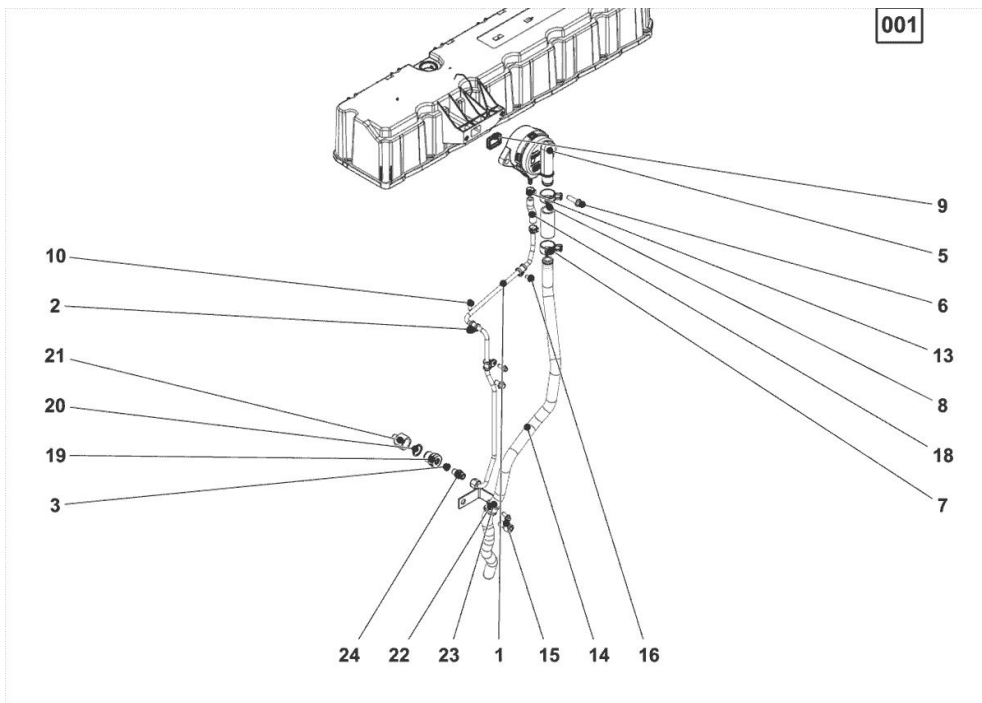


17	01178750	1	clamp DIN 3021 -A-29X15
1	04293772	1	tube MIT POS.... (2,25,26)
2	01175559	2	fascia H 3223 -C8X15-ST/MVQ-1-70
3	01118673	1	oil seal DIN 7603 -A12X15,5-CU
5	04905110	1	breather MIT POS.... (9)
6	01181432	2	screw m8x30 30 Nm

Section: B0 - ENGINE

**KURB.GEH.ENTLUEFT.**

Fig.	P/n	QTY	Name
7	01178750	1	EN 1662 -F-M8X30-10.9-ZNAL-A clamp
8	01183057	1	DIN 3021 -A-29X15 rubber sleeve
9	04298547	1	H 3407 -F22X30X65EAM* rubber plug
10	01181439	1	screw 13 Nm EN 1662 -F-M6X16-10.9-ZNAL-A
13	04913786	2	clamp
14	04905322	1	tube MIT POS.... (7,8)
15	01110746	1	screw m 12 x 20 70 Nm
16	01181442	2	ISO 4762 -M12X20-8.8-A4C screw m6x12 13 Nm
18	01174783	1	EN 1662 -F-M6X12-10.9-ZNAL-A rubber tube
19	04910679	1	H 3430 -A8X14X70 valve MIT POS.... (20,21) 29 Nm
20	01118737	1	oil seal 22 x 27 DIN 7603 -A22X27-CU
21	04904834	1	adapter 29 Nm
22	04906422	1	bracket
23	01176230	1	fascia H 3223 -C22X15-ST/MVQ-1-70
25	01119241	1	pipe union m 12 p.1.5 29 Nm
26	01148893	2	DIN 7643 -8 oil seal DIN 7603 -D12X16-CU-VERZINNT





**CRANKCASE**

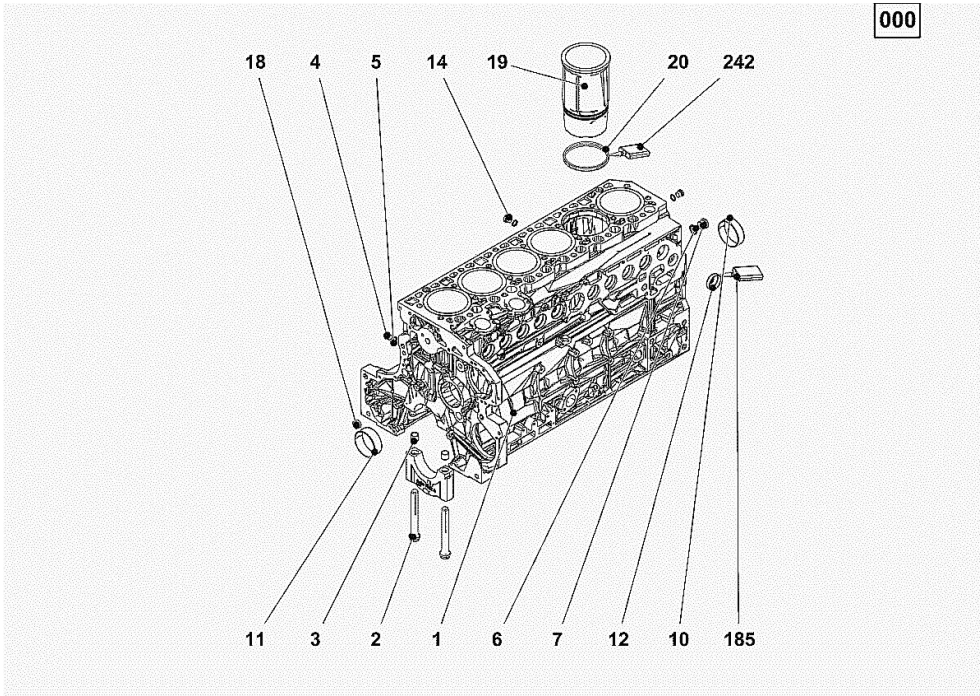
Fig.	P/n	QTY	Name
------	-----	-----	------

**Notes:**

[C 7206 TS/TSB]

**Engine serial number:**

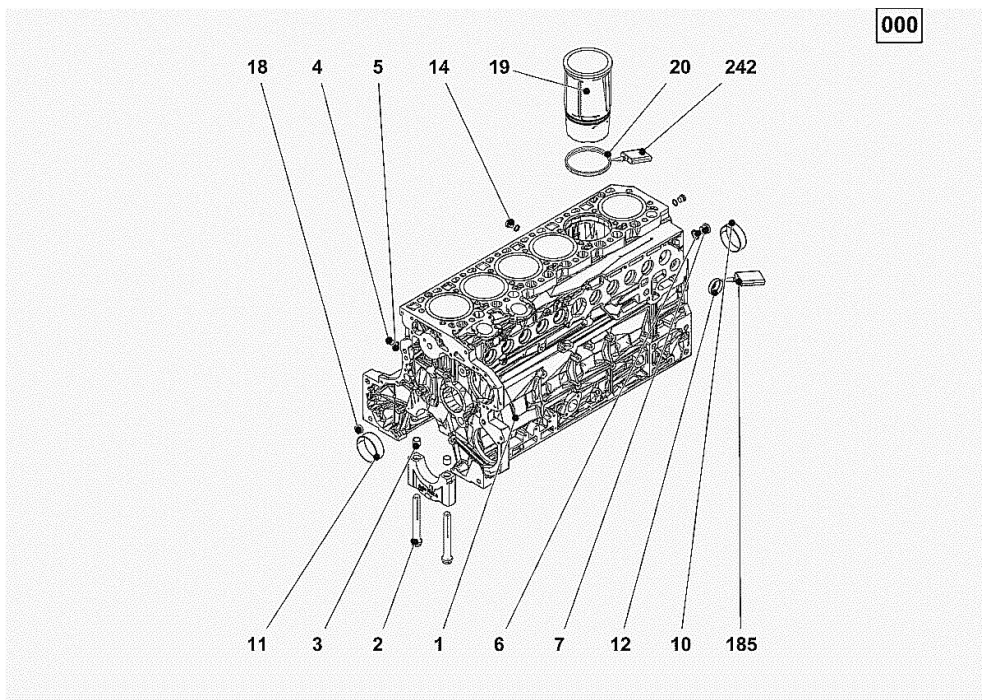
11299601 11307103 11326915 11328940 11337159 11337160 11337161 11340255 11341924 11341925 11341926  
 11341927 11341928 11350943 11350944 11350945 11350946 11350947 11350948 11350949 11350950 11375569  
 11375570 11375571 11375572 11375573 11382547 11382548 11382549 11382550 11382551 11382552 11383530  
 11383531 11388524 11388525 11388526 11388527 11388528 11388529 11388530 11388531 11391370 11391371  
 11391372 11391373 11391374 11395333 11395334 11395335 11399533 11399534 11399535 11399536 11399537  
 11399538 11399539 11399540 11399541 11399542 11399543 11399544 11399545 11399546 11399547 11399548  
 11413069 11417459 11426359 11426360 11431201 11431202 11431203 11431204 11431205 11431206 11436809  
 11436810 11436811



1	04910079	1	crankcase WITH POS....
2	04257692	14	screw tightening in accordance with workshop manual specifications
3	04257514	14	spacer
4	01110423	2	screw 34 Nm DIN 908 -M14X1,5-ST-ZNPHRF
5	01148899	3	rubber plug DIN 7603 -D14X18-CU-VERZINNT
6	01148863	1	rubber plug DIN 7603 -D22X27-CU-VERZINNT
7	01124759	1	plug 80 Nm DIN 908 -M22X1,5-ST-A4C
10	04257081	6	bushing
11	04257082	1	bushing
12	01148032	10	cover DIN 443 -A45-ZNPHR
14	01100940	1	screw 34 Nm DIN 7604 -AM14X1,5-ST-A4C
18	01181155	1	plug tightening in accordance with workshop manual specifications H 2812 -2838-M22X1,5-ST-A4C-PRE80
19	04907321	6	cylinder WITH POS.... (20)
20	01181178	12	special oil seal H 2927 -112X3,0-FPM-2-70

**CRANKCASE**

Fig.	P/n	QTY	Name
185	01319911	1	sealing compound ml. 50
242	01016105	2	sealing compound



**CRANKCASE**

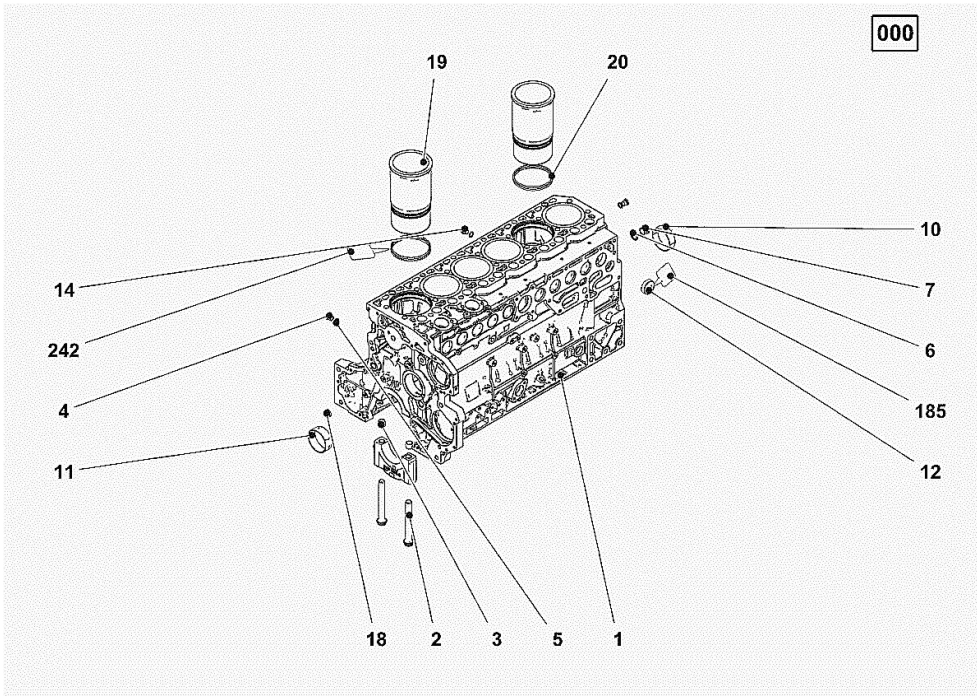
Fig.	P/n	QTY	Name
------	-----	-----	------

**Notes:**

[C 7206 TS/TSB]

**Engine serial number:**

11463445 11465719 11476775 11482197 11482198 11482199 11482200 11482201 11482202 11482203 11482204  
 11482205 11482206 11491763 11491764 11491765 11491766 11491767 11491768 11491769 11491770 11491771  
 11491772 11491773 11491774 11493647 11493648 11513765 11513766 11513767 11513768 11513769 11519599  
 11521525 11521526 11521527 11521528 11521529 11521530 11521531 11521532 11521533 11521534 11522258  
 11522259 11522260 11522261 11522262 11522263 11522264 11522265 11522266 11522267 11522968 11522969  
 11522970 11522971 11522972 11522973 11522974 11522975 11522976 11522977 11523329 11523330 11523331  
 11523332 11523333 11523334 11523335 11523336 11523337 11523338 11524431 11524432 11524433 11524434  
 11524435 11524436 11524437 11524438 11524439 11524663 11524664 11524665 11524666 11524667 11524668  
 11524669 11528647 11528648 11528649 11528650 11528651 11528652 11528653 11528654 11528655 11528656  
 11543611 11543612 11543613 11543614 11543814 11543815 11543816 11543817 11543818 11543819 11543820  
 11543821 11543822 11543823 11544502 11544503 11544504 11544505 11544506 11544507 11544508 11544710  
 11544711 11544712 11544713 11544714 11544715 11544716 11544717 11544778 11544779 11544780 11545643  
 11545644 11545645 11545646 11545647 11545648 11545649 11545650 11545651 11545652 11546385 11546386  
 11546387 11546388 11546389 11546390 11546391 11546392 11546393 11546394 11546709 11546710 11546711  
 11546712 11546713 11546714 11546715 11546716 11546717 11546718 11546719 11546720 11546721 11546722  
 11546723 11546724 11546725 11546726 11546727 11546728 11547103 11547104 11547105 11547106 11547107  
 11547108 11547109 11547110 11547111 11547112 11547134 11547135 11547136 11547137 11547138 11547139  
 11547140 11547141 11547142 11547143 11547701 11547702 11547703 11547704 11547705 11547706 11547716  
 11547717 11547718 11547719 11547720 11547721 11547722 11547723 11547724 11547725 11547726 11547727  
 11547728 11547729 11547730



1	04914606	1	crankcase WITH POS....
2	04257692	14	screw
3	04257514	14	spacer
4	01110423	2	screw 34 Nm DIN 908 -M14X1,5-ST-ZNPHRF
5	01148899	3	rubber plug DIN 7603 -D14X18-CU-VERZINNT
6	01148863	1	rubber plug DIN 7603 -D22X27-CU-VERZINNT
7	01124759	1	plug 80 Nm DIN 908 -M22X1,5-ST-A4C
10	04257081	6	bushing
11	04911892	1	bushing
12	01148032	10	cover DIN 443 -A45-ZNPHR
14	01100940	1	screw 34 Nm DIN 7604 -AM14X1,5-ST-A4C

Thank you so much for reading.  
Please click the “Buy Now!”  
button below to download the  
complete manual.



After you pay.

You can download the most  
perfect and complete manual in  
the world immediately.

Our support email:

[ebooklibonline@outlook.com](mailto:ebooklibonline@outlook.com)