

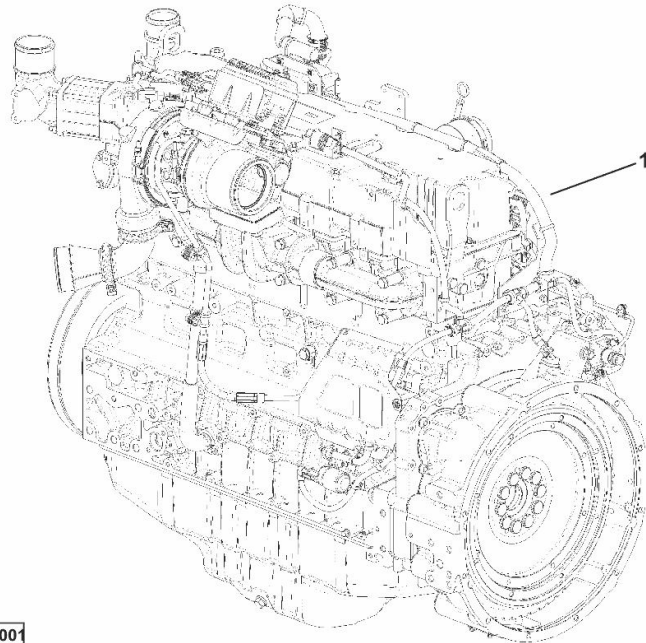
ENGINE TCD 7.8 L6 T4I

Fig.	P/n	QTY	Name
------	-----	-----	------

Notes:

[C 9206 TS/TSB]

1	25009718	1	engine TCD 7.8 L6 T4I ON ORDERING PLEASE ENGINE NO. REQUIRED
---	----------	---	--



H9_QA5A0_00_0-A-001

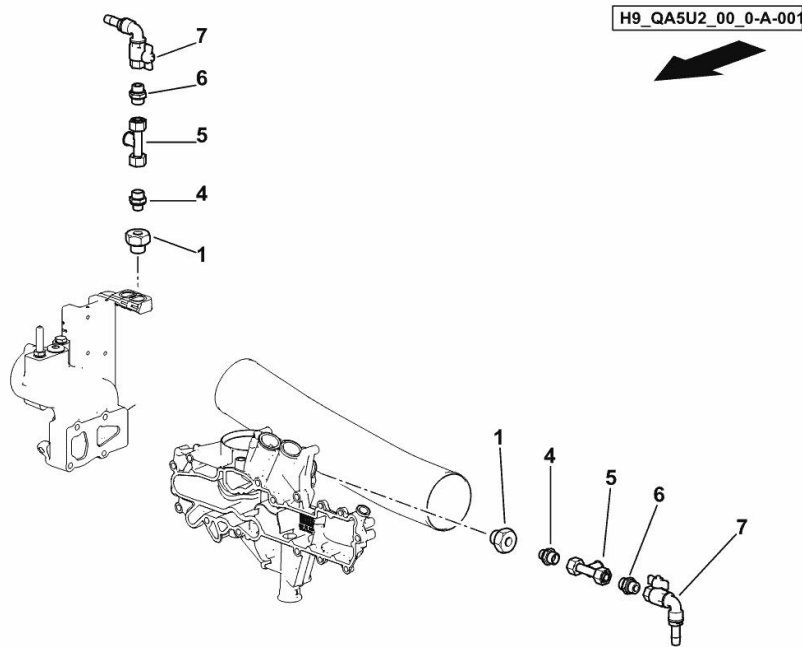
PARTS SET - ENGINE MOUNTING

Fig.	P/n	QTY	Name
------	-----	-----	------

Notes:

[C 9206 TS/TSB]

1	16061890	2	vent
4	16064263	2	pipe fitting m 22 p.1.5 / 3.8"
5	0.019.9138.3	2	tube
6	16064262	2	pipe fitting m 22 p.1.5 / 1.2"
7	0.019.4734.4	2	valve



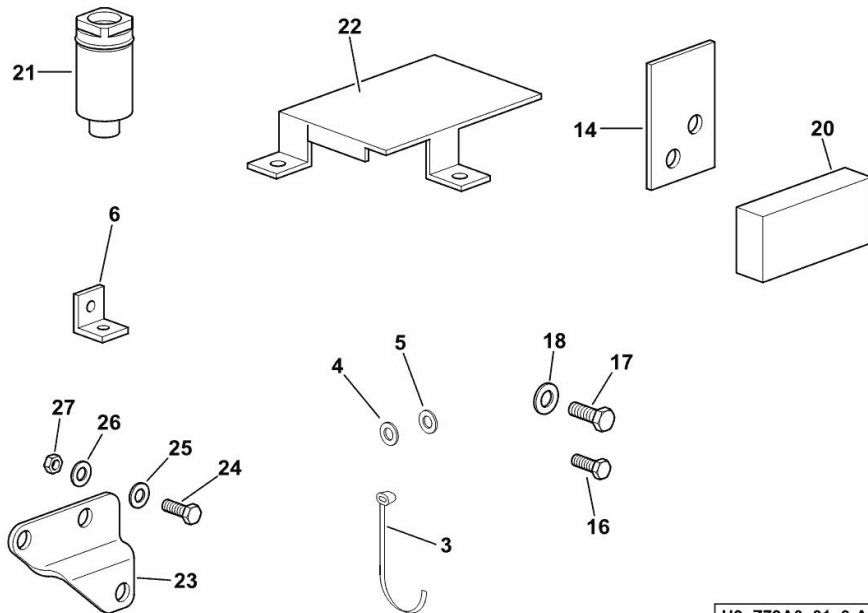
PARTS SET - ENGINE MOUNTING

Fig.	P/n	QTY	Name
------	-----	-----	------

Notes:

[C 9206 TS/TSB]

3	06216480	6	clamp 4,8 x 360
4	06214189	4	washer 6.4
5	01102797	2	washer 6, d128
6	16006188/10	1	support
14	16061552	4	plate
16	01112264	1	screw m 6 x 20, d933
17	01112299	1	screw m 8 x 12, d933
18	01102799	1	washer 8, d128
20	0.015.8833.0	1	shim 30 x 50 x 15
21	16064238	1	vent
22	16064187	1	small guard
23	0.017.5544.0	1	bracket
24	2.0114.207.2	2	screw m 8 p.1.25 x 20
25	2.1474.009.2	1	spring washer 8
26	2.1310.004.2	2	flat washer 8.4x17
27	2.1120.005.2	1	nut m 8 p.1.25



H9_Z79A0_01_0-A-003

FASTENINGS

Fig.	P/n	QTY	Name
------	-----	-----	------

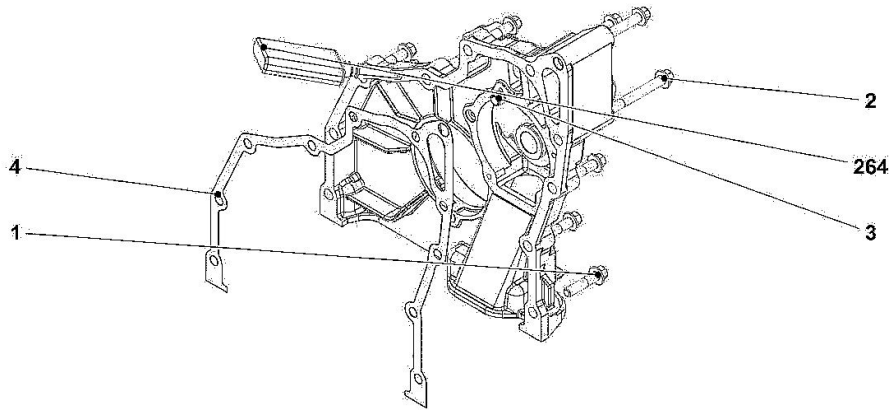
Notes:

[C 9206 TS/TSB]

Engine serial number:

11327561 11330987 11331547 11331548 11332733 11332734 11350192 11350193 11369323 11369324 11382553
 11382554 11382555 11382556 11387029 11387030 11387031 11387032 11387033 11387034 11395336 11400256
 11414412 11416222 11416223 11416224 11416225 11416226 11416227 11416228 11416229 11426595 11426596
 11426597 11426598 11432737 11432738 11432739 11432740 11432741 11434076 11434077 11434078 11434079
 11463446 11465720 11482195 11482196 11499064 11499131 11499132 11519596 11519597 11519598 11527758
 11543544 11543545 11543546 11543547 11543548 11543549 11543550 11543551 11543552 11543553 11543824
 11543825 11543826 11543827 11543828 11543829 11543830 11543831 11543832 11543833 11544790 11544791
 11544792 11544793 11544794 11544795 11544796 11544797 11544798 11544799 11544800 11544801 11544802
 11544803 11544804 11544805 11544806 11544807 11544808 11544809 11545057 11545058 11545059 11545060
 11545061 11545062 11545063 11545064 11545065 11545066 11545067 11545068 11545069 11545070 11545071
 11545811 11545812 11545813 11545814 11545815 11545816 11545817 11545818 11545819 11545820 11546375
 11546376 11546377 11546378 11546379 11546380 11546381 11546382 11546383 11546384 11547144 11547145
 11547146 11547147 11547148 11547149 11547150 11547151 11547152 11547153 11547344 11547345 11547346
 11547347 11547348 11547349 11547350 11547351 11547352 11547353 11547452 11547453 11547454 11547455
 11547456 11547457 11547458 11547459 11547460 11547461 11547462 11547463 11547464 11547465 11547466
 11547467 11547468 11547469 11547470 11547471 11547731 11547732 11547733 11547734 11547735 11547736
 11547737 11547738 11547739 22000528

004



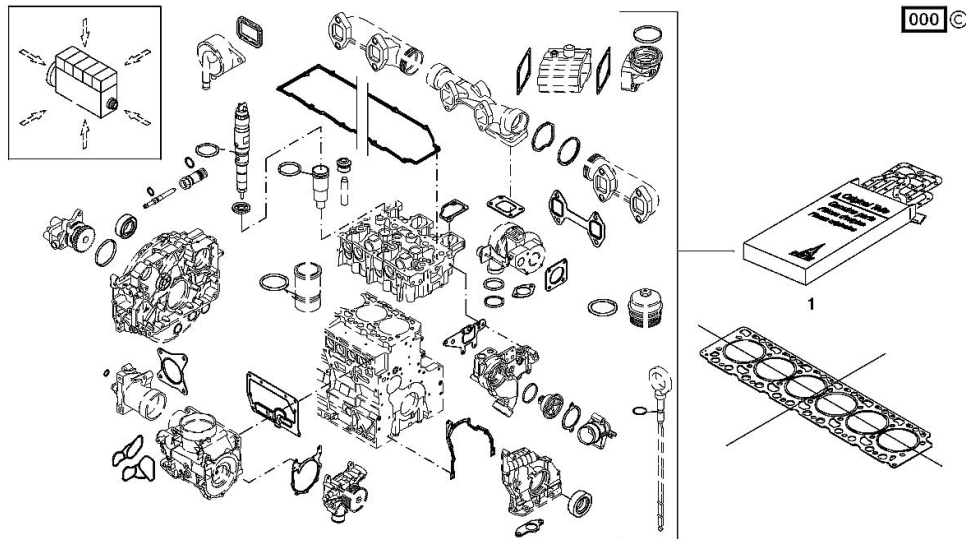
1	01143362	8	screw
2	01180114	3	screw
3	01181406	1	bushing
4	04294952	1	gasket
264	04297097	1	sealing compound

Section: B0 - ENGINE
SERIE GUARNIZIONI

Fig.	P/n	QTY	Name
------	-----	-----	------

Notes:
 [C 9206 TS/TSB]

Engine serial number:
 11327561 11330987 11331547 11331548 11332733 11332734 11350192 11350193 11369323 11369324 11382553
 11382554 11382555 11382556 11387029 11387030 11387031 11387032 11387033 11387034 11395336 11400256
 11414412 11416222 11416223 11416224 11416225 11416226 11416227 11416228 11416229 11426595 11426596
 11426597 11426598 11432737 11432738 11432739 11432740 11432741 11434076 11434077 11434078 11434079
 22000528



1	02937622	1	gasket set The gasket kit does not contain: GASKET IN FIG. (SM 0199-99-9449)
---	----------	---	---

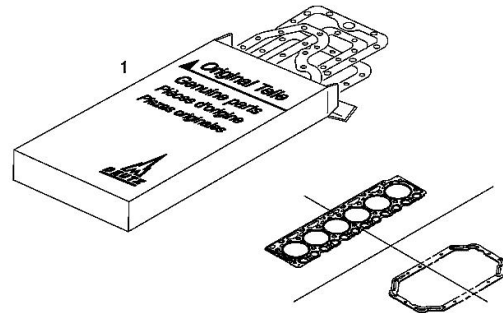
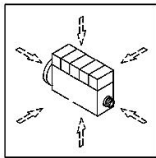
Section: B0 - ENGINE
SERIE GUARNIZIONI

Fig.	P/n	QTY	Name
------	-----	-----	------

Notes:
 [C 9206 TS/TSB]

Engine serial number:

11463446 11465720 11482195 11482196 11499064 11499131 11499132 11519596 11519597 11519598 11527758
 11543544 11543545 11543546 11543547 11543548 11543549 11543550 11543551 11543552 11543553 11543824
 11543825 11543826 11543827 11543828 11543829 11543830 11543831 11543832 11543833 11544790 11544791
 11544792 11544793 11544794 11544795 11544796 11544797 11544798 11544799 11544800 11544801 11544802
 11544803 11544804 11544805 11544806 11544807 11544808 11544809 11545057 11545058 11545059 11545060
 11545061 11545062 11545063 11545064 11545065 11545066 11545067 11545068 11545069 11545070 11545071
 11545811 11545812 11545813 11545814 11545815 11545816 11545817 11545818 11545819 11545820 11546375
 11546376 11546377 11546378 11546379 11546380 11546381 11546382 11546383 11546384 11547144 11547145
 11547146 11547147 11547148 11547149 11547150 11547151 11547152 11547153 11547344 11547345 11547346
 11547347 11547348 11547349 11547350 11547351 11547352 11547353 11547452 11547453 11547454 11547455
 11547456 11547457 11547458 11547459 11547460 11547461 11547462 11547463 11547464 11547465 11547466
 11547467 11547468 11547469 11547470 11547471 11547731 11547732 11547733 11547734 11547735 11547736
 11547737 11547738 11547739



1	02937871	1	gasket set The gasket kit does not contain: GASKET IN FIG. (SM 0199-99-9449)
---	----------	---	---

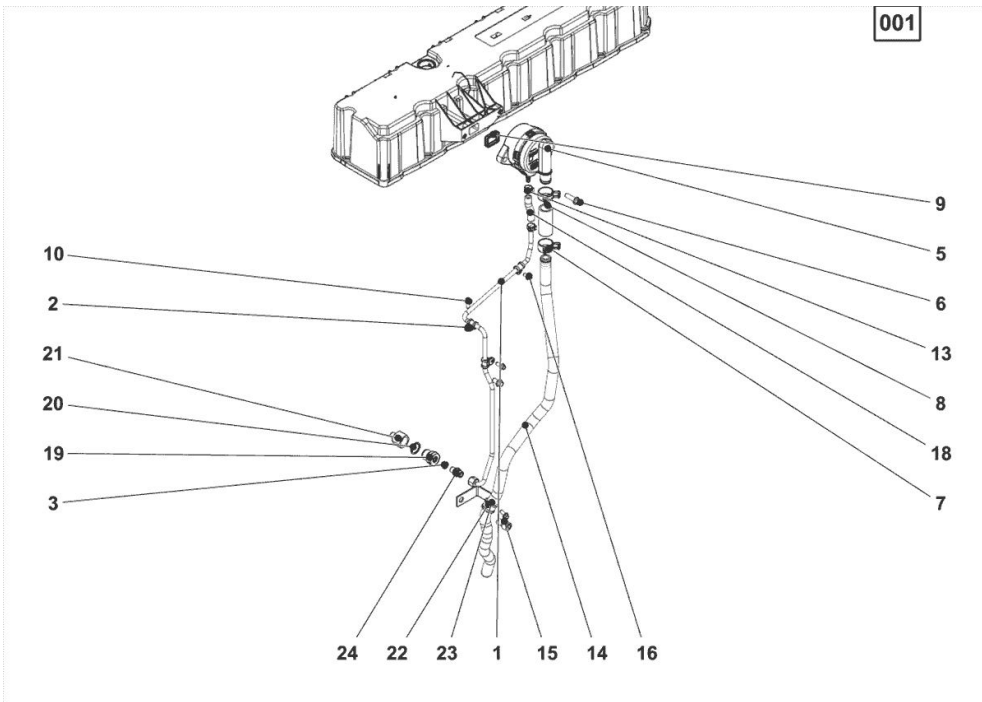
Section: B0 - ENGINE
KURB.GEH.ENTLUEFT.

Fig.	P/n	QTY	Name
------	-----	-----	------

Notes:
 [C 9206 TS/TSB]

Engine serial number:

11327561 11330987 11331547 11331548 11332733 11332734 11350192 11350193 11369323 11369324 11382553
 11382554 11382555 11382556 11387029 11387030 11387031 11387032 11387033 11387034 11395336 11400256
 11414412 11416222 11416223 11416224 11416225 11416226 11416227 11416228 11416229 11426595 11426596
 11426597 11426598 11432737 11432738 11432739 11432740 11432741 11434076 11434077 11434078 11434079
 11463446 11465720 11482195 11482196 11482197 11499064 11499131 11499132 11519596 11519597 11519598 11527758
 11543544 11543545 11543546 11543547 11543548 11543549 11543550 11543551 11543552 11543553 11543824
 11543825 11543826 11543827 11543828 11543829 11543830 11543831 11543832 11543833 11544790 11544791
 11544792 11544793 11544794 11544795 11544796 11544797 11544798 11544799 11544800 11544801 11544802
 11544803 11544804 11544805 11544806 11544807 11544808 11544809 11545057 11545058 11545059 11545060
 11545061 11545062 11545063 11545064 11545065 11545066 11545067 11545068 11545069 11545070 11545071
 11545811 11545812 11545813 11545814 11545815 11545816 11545817 11545818 11545819 11545820 11546375
 11546376 11546377 11546378 11546379 11546380 11546381 11546382 11546383 11546384 11547144 11547145
 11547146 11547147 11547148 11547149 11547150 11547151 11547152 11547153 11547344 11547345 11547346
 11547347 11547348 11547349 11547350 11547351 11547352 11547353 11547452 11547453 11547454 11547455
 11547456 11547457 11547458 11547459 11547460 11547461 11547462 11547463 11547464 11547465 11547466
 11547467 11547468 11547469 11547470 11547471 11547731 11547732 11547733 11547734 11547735 11547736
 11547737 11547738 11547739 22000528

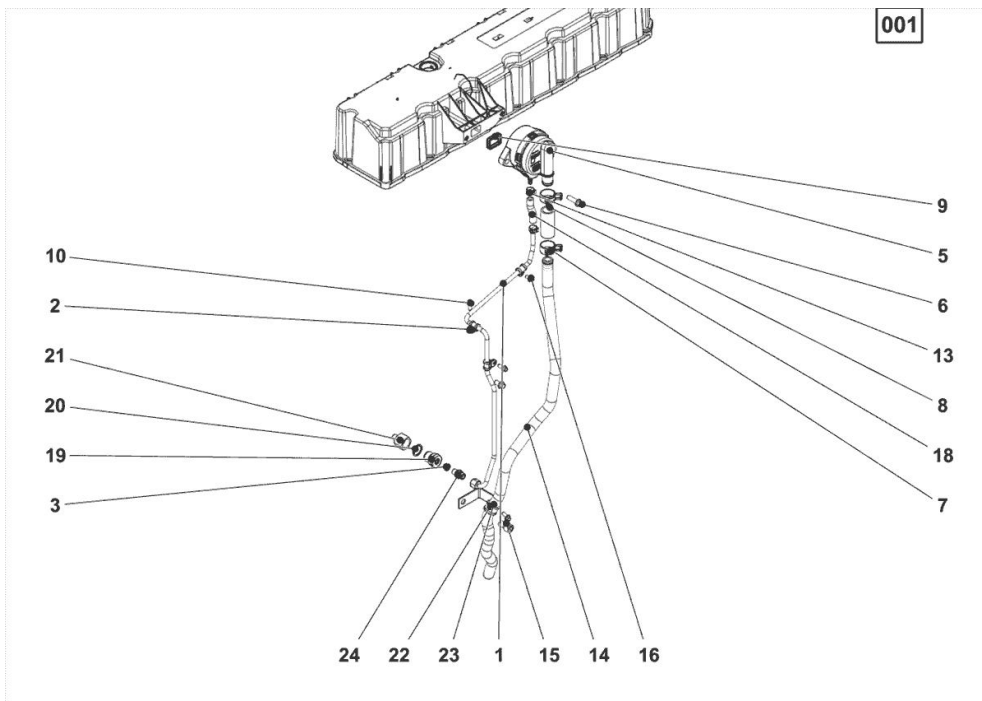


17	01178750	1	clamp DIN 3021 -A-29X15
1	04293772	1	tube MIT POS.... (2,25,26)
2	01175559	2	fascia H 3223 -C8X15-ST/MVQ-1-70
3	01118673	1	oil seal DIN 7603 -A12X15,5-CU
5	04905110	1	breather MIT POS.... (9)
6	01181432	2	screw m8x30 30 Nm EN 1662 -F-M8X30-10.9-ZNAL-A
7	01178750	1	clamp DIN 3021 -A-29X15
8	01183057	1	rubber sleeve H 3407 -F22X30X65EAM*
9	04298547	1	rubber plug
10	01181439	1	screw 13 Nm EN 1662 -F-M6X16-10.9-ZNAL-A

Section: B0 - ENGINE

KURB.GEH.ENTLUEFT.

Fig.	P/n	QTY	Name
13	04913786	2	clamp
14	04905322	1	tube MIT POS.... (7,8)
15	01110746	1	screw m 12 x 20 70 Nm ISO 4762 -M12X20-8.8-A4C
16	01181442	2	screw m6x12 13 Nm EN 1662 -F-M6X12-10.9-ZNAL-A
18	01174783	1	rubber tube H 3430 -A8X14X70
19	04910679	1	valve MIT POS.... (20,21) 29 Nm
20	01118737	1	oil seal 22 x 27 DIN 7603 -A22X27-CU
21	04904834	1	adapter 29 Nm
22	04906422	1	bracket
23	01176230	1	fascia H 3223 -C22X15-ST/MVQ-1-70
25	01119241	1	pipe union m 12 p.1.5 29 Nm DIN 7643 -8
26	01148893	2	oil seal DIN 7603 -D12X16-CU-VERZINNT



Section: B0 - ENGINE

CRANKCASE

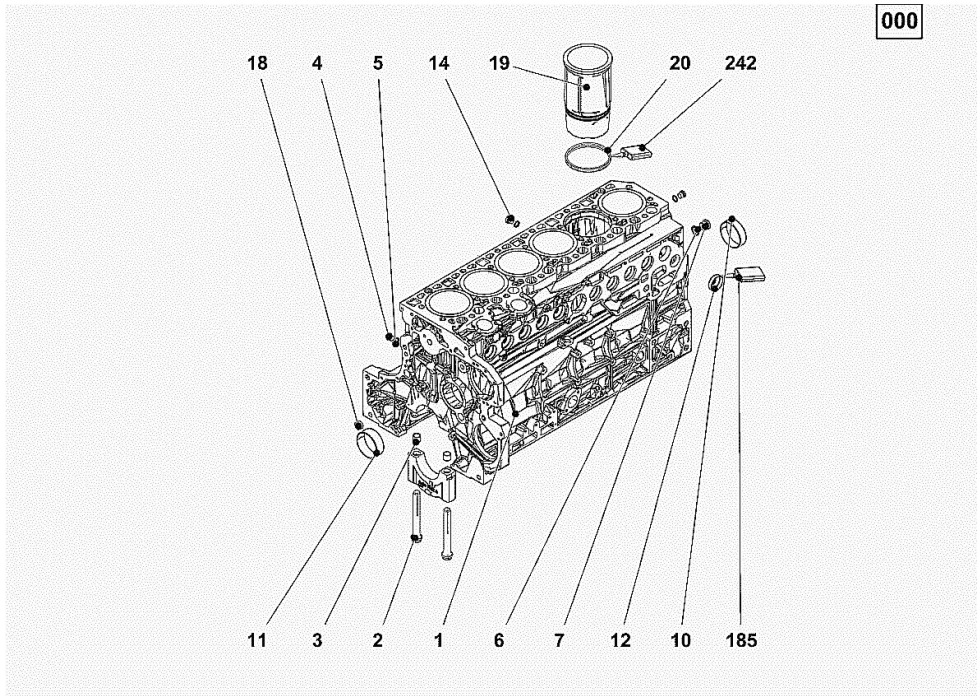
Fig.	P/n	QTY	Name
------	-----	-----	------

Notes:

[C 9206 TS/TSB]

Engine serial number:

11327561 11330987 11331547 11331548 11332733 11332734 11350192 11350193 11369323 11369324 11382553
 11382554 11382555 11382556 11387029 11387030 11387031 11387032 11387033 11387034 11395336 11400256
 11414412 11416222 11416223 11416224 11416225 11416226 11416227 11416228 11416229 11426595 11426596
 11426597 11426598 11432737 11432738 11432739 11432740 11432741 11434076 11434077 11434078 11434079
 22000528



1	04910079	1	crankcase WITH POS....
2	04257692	14	screw tightening in accordance with workshop manual specifications
3	04257514	14	spacer
4	01110423	2	screw 34 Nm DIN 908 -M14X1,5-ST-ZNPHRF
5	01148899	3	rubber plug DIN 7603 -D14X18-CU-VERZINNT
6	01148863	1	rubber plug DIN 7603 -D22X27-CU-VERZINNT
7	01124759	1	plug 80 Nm DIN 908 -M22X1,5-ST-A4C
10	04257081	6	bushing
11	04257082	1	bushing
12	01148032	10	cover DIN 443 -A45-ZNPHR
14	01100940	1	screw 34 Nm DIN 7604 -AM14X1,5-ST-A4C
18	01181155	1	plug tightening in accordance with workshop manual specifications H 2812 -2838-M22X1,5-ST-A4C-PRE80
19	04907321	6	cylinder WITH POS.... (20)
20	01181178	12	special oil seal H 2927 -112X3,0-FPM-2-70
185	01319911	1	sealing compound ml. 50
242	01016105	2	sealing compound

CRANKCASE

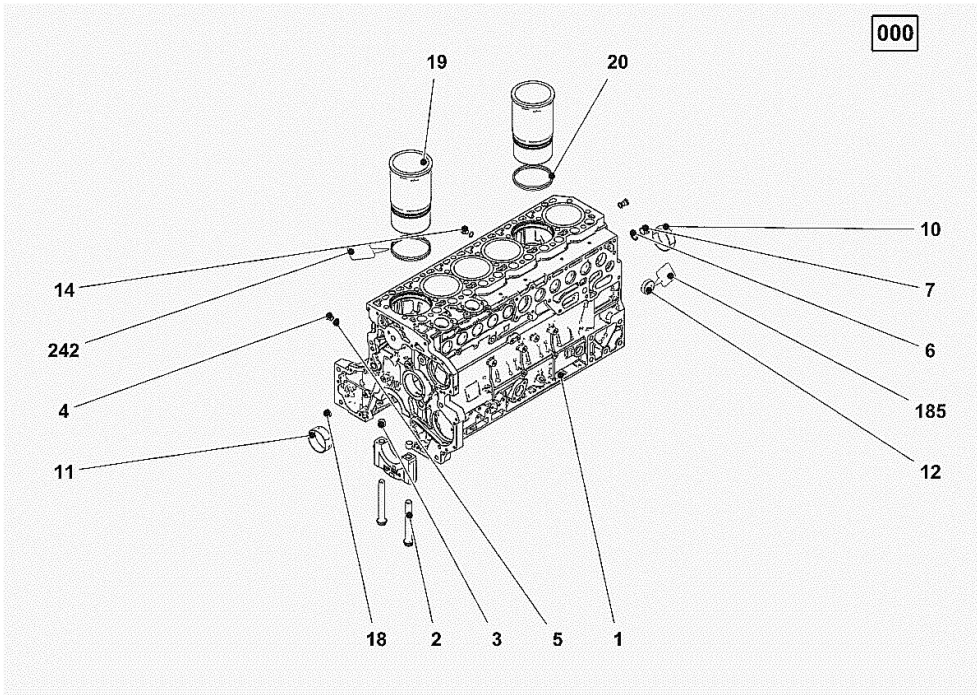
Fig.	P/n	QTY	Name
------	-----	-----	------

Notes:

[C 9206 TS/TSB]

Engine serial number:

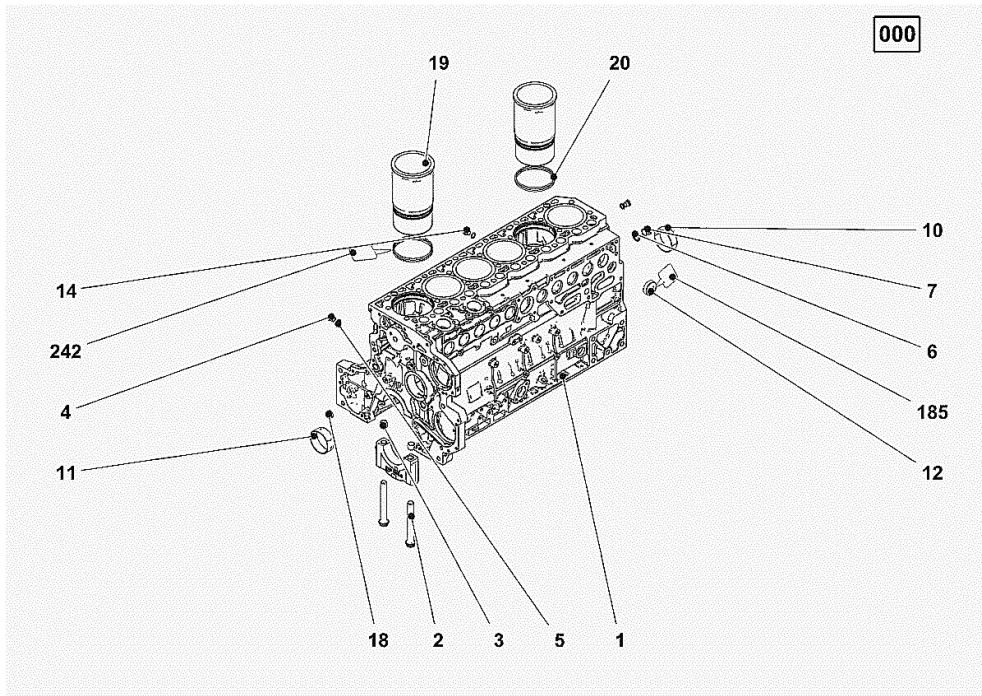
11463446 11465720 11482195 11482196 11499064 11499131 11499132 11519596 11519597 11519598 11527758
 11543544 11543545 11543546 11543547 11543548 11543549 11543550 11543551 11543552 11543553 11543824
 11543825 11543826 11543827 11543828 11543829 11543830 11543831 11543832 11543833 11544790 11544791
 11544792 11544793 11544794 11544795 11544796 11544797 11544798 11544799 11544800 11544801 11544802
 11544803 11544804 11544805 11544806 11544807 11544808 11544809 11545057 11545058 11545059 11545060
 11545061 11545062 11545063 11545064 11545065 11545066 11545067 11545068 11545069 11545070 11545071
 11545811 11545812 11545813 11545814 11545815 11545816 11545817 11545818 11545819 11545820 11546375
 11546376 11546377 11546378 11546379 11546380 11546381 11546382 11546383 11546384 11547144 11547145
 11547146 11547147 11547148 11547149 11547150 11547151 11547152 11547153 11547344 11547345 11547346
 11547347 11547348 11547349 11547350 11547351 11547352 11547353 11547452 11547453 11547454 11547455
 11547456 11547457 11547458 11547459 11547460 11547461 11547462 11547463 11547464 11547465 11547466
 11547467 11547468 11547469 11547470 11547471 11547731 11547732 11547733 11547734 11547735 11547736
 11547737 11547738 11547739



1	04914606	1	crankcase WITH POS....
2	04257692	14	screw
3	04257514	14	spacer
4	01110423	2	screw 34 Nm DIN 908 -M14X1,5-ST-ZNPHRF
5	01148899	3	rubber plug DIN 7603 -D14X18-CU-VERZINNT
6	01148863	1	rubber plug DIN 7603 -D22X27-CU-VERZINNT
7	01124759	1	plug 80 Nm DIN 908 -M22X1,5-ST-A4C
10	04257081	6	bushing
11	04911892	1	bushing
12	01148032	10	cover DIN 443 -A45-ZNPHR
14	01100940	1	screw 34 Nm DIN 7604 -AM14X1,5-ST-A4C
18	04226536	1	bottom 30 Nm
19	04907321	6	cylinder
20	01181178	2	special oil seal H 2927 -112X3,0-FPM-2-70
185	01319911	1	sealing compound ml. 50

CRANKCASE

Fig.	P/n	QTY	Name
242	01016104	2	sealing compound



Thank you so much for reading.
Please click the “Buy Now!”
button below to download the
complete manual.



After you pay.

You can download the most
perfect and complete manual in
the world immediately.

Our support email:

ebooklibonline@outlook.com