

**CRANKCASE**

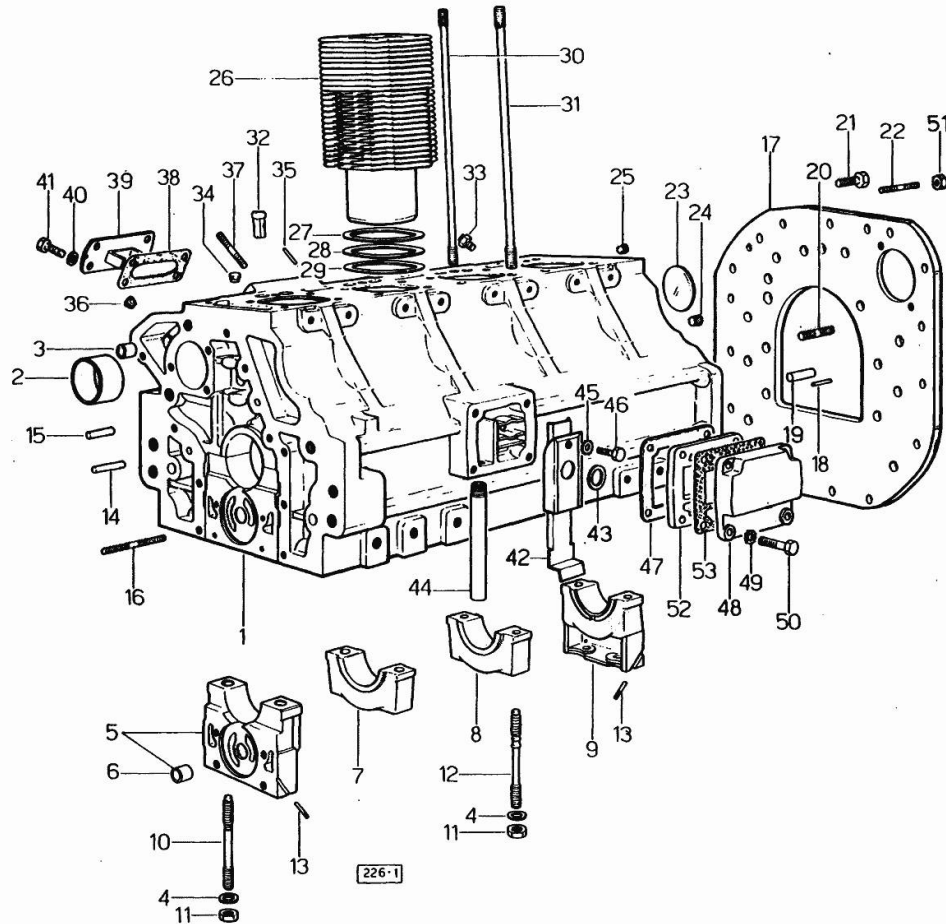


Fig.	P/n	QTY	Name
------	-----	-----	------

**Notes:**

31405 <-- E 50230 <-- FOR LOW TYPE [Centauro 70 special dal 30001]

0	0.045.0050.6	1	gasket set FOR ENGINE ASSEMBLY
1	0.045.1110.4	1	crankcase
2	0.037.1155.0	1	bushing
3	2.1559.111.0/10	2	special bushing 11.5x14.1x10
4	2.1599.144.7	10	shoulder ring 12.5x23x4
5	0.004.8774.3	1	support
6	2.1559.090.0/10	1	bushing 14.24x19.06x27
7	0.037.1114.0	1	support
8	0.029.1113.0	2	support
9	0.029.1116.0	1	support
10	0.021.1157.0	4	stud bolt
11	2.1019.026.7	10	special nut m 12 p.1.5
12	0.029.1117.0	6	stud bolt
13	0.029.1154.0	4	gasket
14	2.1699.114.0	1	pin 8x55
15	2.1653.711.0	1	pin
16	2.0432.025.1	2	stud bolt m 8 p 1.25-1x100
17	0.040.1530.0/20	1	tip
18	2.1653.708.0	2	pin 8x18
19	2.1652.911.0	2	cylindrical plug 12x25
20	2.0432.153.1	2	stud bolt m 10 p.1.5 / p.1.25 x 20
21	2.0112.511.1	11	screw m 14 p.2 x 30
22	2.0432.257.1	3	stud bolt m 12 p.1.75 - 1.25 x 30
23	2.3170.022.1	1	expansion plug 60
24	2.3130.003.1	2	plug 3/8" gas
25	2.3130.002.1	1	plug 1/4" gas
26	0.045.1120.0/10	4	engine cylinder
27	2.1589.052.0	8	shoulder ring 115x123x0.2
28	2.1589.051.0	4	shoulder ring 116x123x0.1
29	2.1569.076.0	4	gasket 116x123x0.5
30	0.041.1123.0	4	stud bolt m 10
31	0.039.1122.0	16	stud bolt m 12 p.1.5x310
32	0.044.1156.0	8	special bushing
33	0.071.1151.3	4	valve
34	2.3130.001.1	4	plug 1/8" gas
35	2.1653.507.0	2	pin
36	2.3139.001.1	5	plug
37	2.0432.003.1	4	stud bolt m 8 p.1.25 / p.1 x 20
38	0.044.1151.0	1	gasket
39	0.044.1164.2/10	1	small cover

Section: ENGINE  
**CRANKCASE**

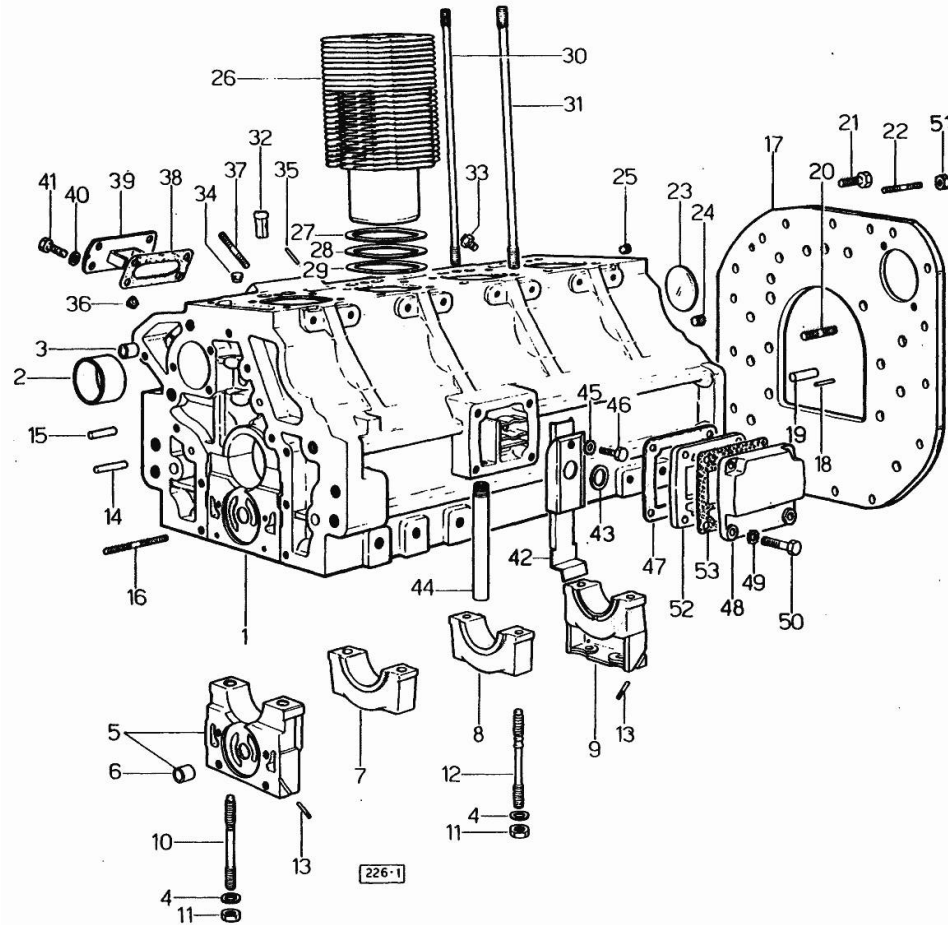


Fig.	P/n	QTY	Name
40	2.1310.004.2	4	flat washer 8.4x17
41	2.0112.204.2	4	screw m 8 p.1.25x14
42	0.044.1162.2	1	small guard
43	0.045.1150.0	1	oil seal
44	0.044.1152.0	1	tube
45	2.1474.009.1	1	spring washer 8
46	2.0312.206.2	1	screw m 8 p 1.25 x 20
47	0.044.1153.0/10	1	gasket
48	0.044.1163.0	1	cover
49	2.1474.009.1	4	spring washer 8
50	2.0112.211.2	4	screw m 8 p.1.25 x 30
51	2.1011.207.2	1	nut m 12 p.1.5
52	0.044.1160.0/10	2	container
53	0.044.1161.0	1	gasket
54	0.040.1521.0/10	1	gear z = 27

**CYLINDER BLOCK - BORE 100**

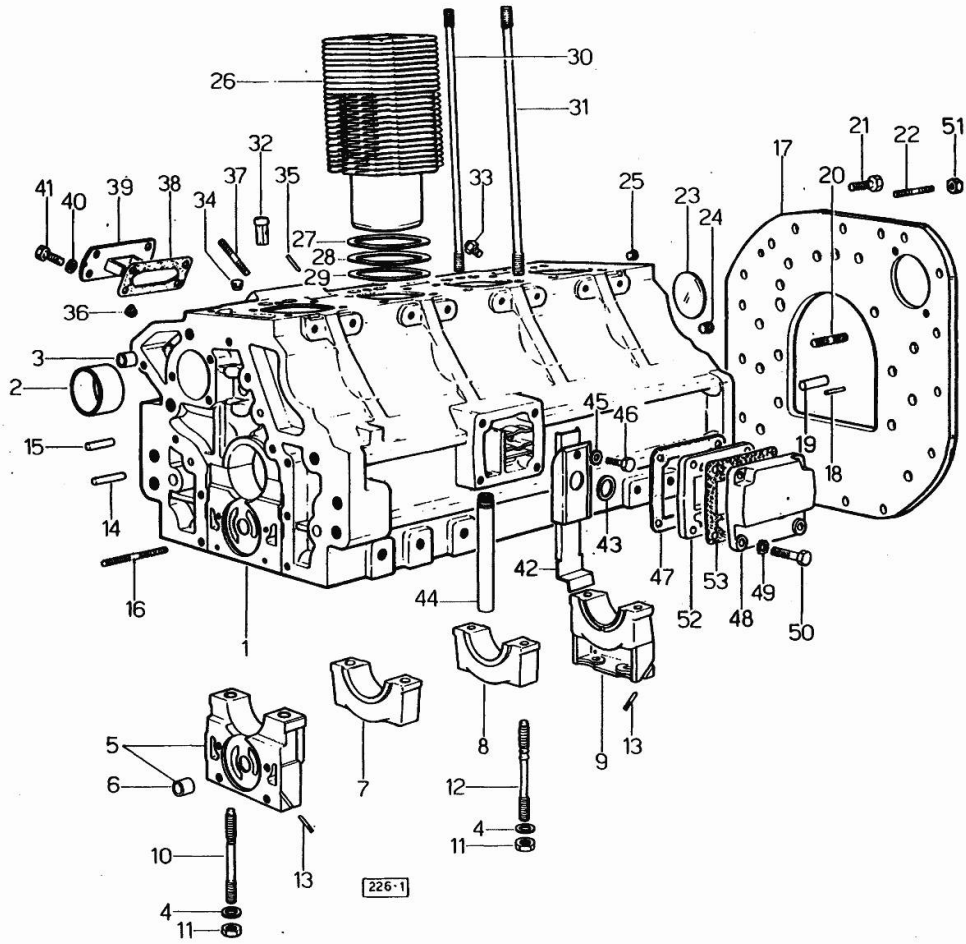


Fig.	P/n	QTY	Name
------	-----	-----	------

Notes:

--> 31406 E -> 50231 FOR LOW TYPE [Centauro 70 special dal 30001]

0	0.063.0050.6	1	gasket set FOR ENGINE ASSEMBLY
1	0.045.1110.4	1	crankcase
2	0.037.1155.0	1	bushing
3	2.1559.111.0/10	2	special bushing 11.5x14.1x10
4	2.1599.144.7	10	shoulder ring 12.5x23x4
5	0.004.8774.3	1	support
6	2.1559.090.0/10	1	bushing 14.24x19.06x27
7	0.037.1114.0	1	support
8	0.029.1113.0	2	support
9	0.029.1116.0	1	support
10	0.021.1157.0	4	stud bolt
11	2.1019.026.7	10	special nut m 12 p.1.5
12	0.029.1117.0	6	stud bolt
13	0.029.1154.0	4	gasket
14	2.1699.114.0	1	pin 8x55
15	2.1653.711.0	1	pin
16	2.0432.025.1	2	stud bolt m 8 p 1.25-1x100
17	0.044.1130.0	1	flange
18	2.1653.708.0	2	pin 8x18
19	2.1652.911.0	2	cylindrical plug 12x25
20	2.0432.153.1	2	stud bolt m 10 p.1.5 / p.1.25 x 20
21	2.0112.511.1	11	screw m 14 p.2 x 30
22	2.0432.257.1	3	stud bolt m 12 p.1.75 - 1.25 x 30
23	2.3170.022.1	1	expansion plug 60
24	2.3130.003.1	2	plug 3/8" gas
25	2.3130.002.1	1	plug 1/4" gas
26	0.063.1120.0	4	engine cylinder
27	2.1589.052.0	8	shoulder ring 115x123x0.2
28	2.1589.051.0	4	shoulder ring 116x123x0.1
29	2.1569.076.0	4	gasket 116x123x0.5
30	0.041.1123.0	4	stud bolt m 10
31	0.039.1122.0	16	stud bolt m 12 p.1.5x310
32	0.044.1156.0	8	special bushing
33	0.071.1151.3	4	valve
34	2.3130.001.1	4	plug 1/8" gas
35	2.1653.507.0	2	pin
36	2.3139.001.1	5	plug
37	2.0432.003.1	4	stud bolt m 8 p.1.25 / p.1 x 20
38	0.044.1151.0	1	gasket
39	0.044.1164.2/10	1	small cover

**CYLINDER BLOCK - BORE 100**

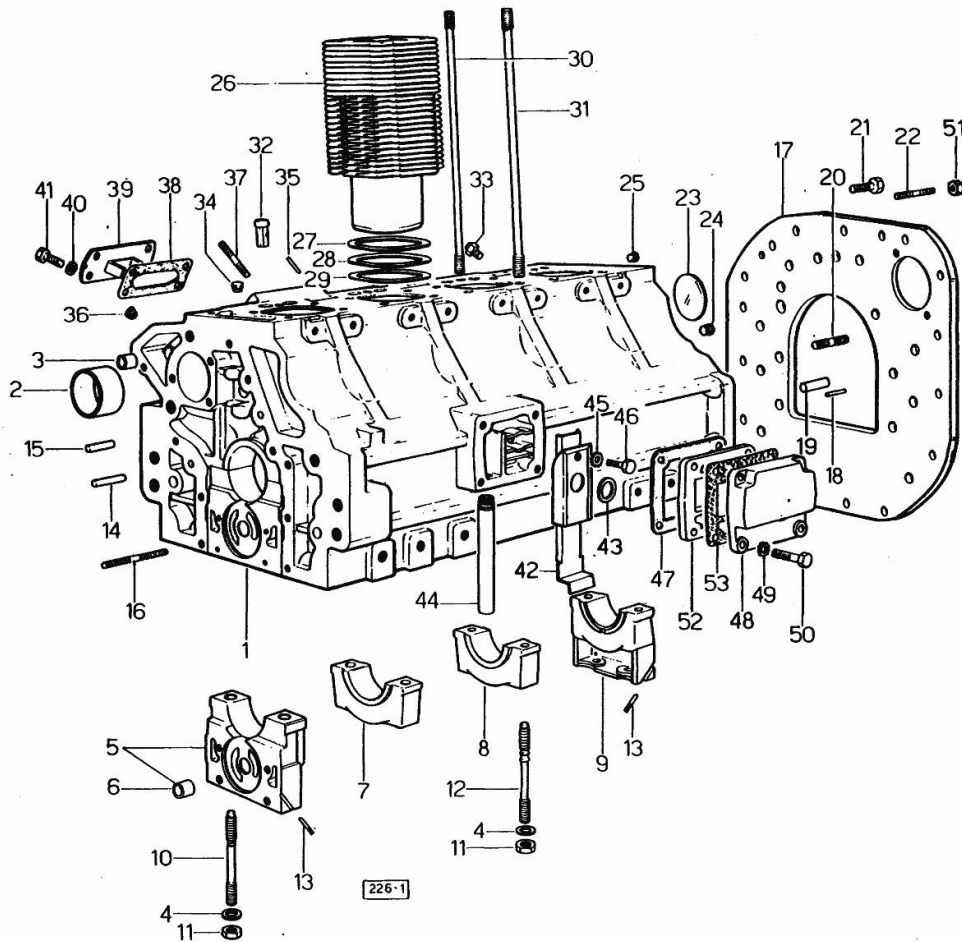


Fig.	P/n	QTY	Name
40	2.1310.004.2	4	flat washer 8.4x17
41	2.0112.204.2	2	screw m 8 p.1.25x14
41	2.0119.116.2	2	screw m 8 p.1.25x14
42	0.044.1162.2	1	small guard
43	0.045.1150.0	1	oil seal
44	0.044.1152.0	1	tube
45	2.1474.009.1	1	spring washer 8
46	2.0312.206.2	1	screw m 8 p 1.25 x 20
47	0.044.1153.0/10	1	gasket
48	0.044.1163.0	1	cover
49	2.1474.009.1	4	spring washer 8
50	2.0112.211.2	4	screw m 8 p.1.25 x 30
51	2.1011.207.2	2	nut m 12 p.1.5
52	0.044.1160.0/10	1	container
53	0.044.1161.0	1	gasket

Section: ENGINE

**TIMING CASING - BORE 98**

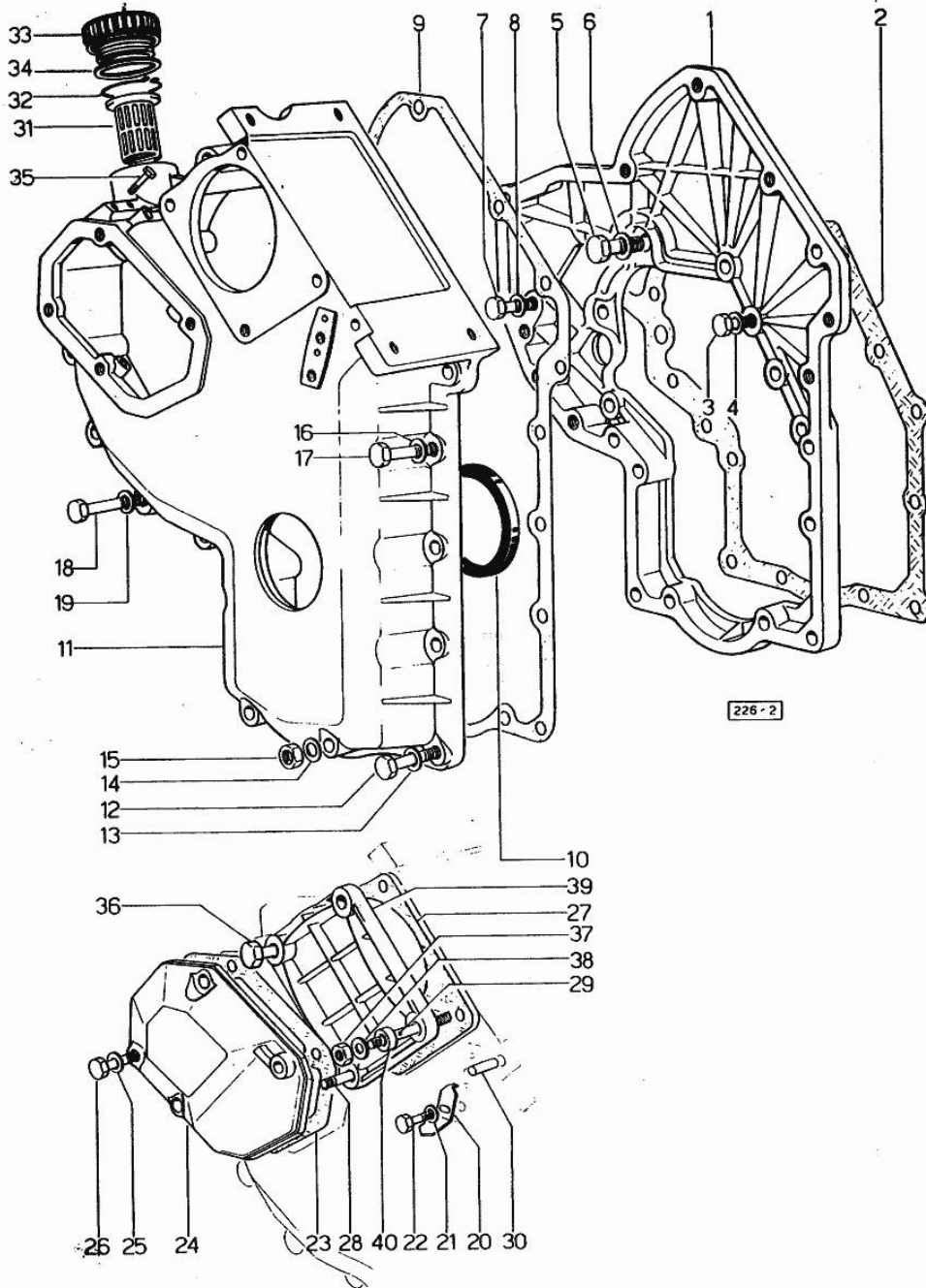


Fig.	P/n	QTY	Name
------	-----	-----	------

**Notes:**

31405 <-- E 50230 <-- FOR LOW TYPE [Centauro 70 special dal 30001]

1	0.048.1131.0	1	flange
2	0.041.1153.0	1	gasket
3	2.0112.211.2	3	screw m 8 p.1.25 x 30
4	2.1474.009.1	5	spring washer 8
5	2.0119.034.1	1	screw m 14 p.2x20
6	2.1560.010.0	1	gasket 14.2 x 20
7	2.0112.207.2	1	screw m 8 p 1.25 x 20
8	2.1474.009.1	1	spring washer 8
9	0.041.1152.0	1	gasket
10	2.1519.010.0	1	special oil seal 58x80x10
11	0.048.1132.0/30	1	guard
12	2.0112.217.2	5	screw m 8 p.1.25 x 45
13	2.1474.009.1	5	spring washer 8
14	2.1560.003.0	2	copper gasket 8.2 x 12
15	2.1011.405.2	1	nut m 8 p.1
16	2.1474.009.1	2	spring washer 8
17	2.0112.211.2	2	screw m 8 p.1.25 x 30
18	2.0112.222.2	4	screw m 8 p.1.25x65
19	2.1474.009.1	4	spring washer 8
20	0.041.1158.0	1	index
21	0.041.1154.0	1	gasket
21	2.1310.004.2	1	flat washer 8.4x17
22	2.0112.204.2	1	screw m 8 p.1.25x14
23	0.048.1152.0	1	gasket
24	0.048.1150.0/20	4	cover
25	2.1560.005.0	4	copper gasket 10.2 x 14
26	2.0112.315.2	1	screw m 10 p.1.5 x 40
28	2.0432.015.1	1	stud bolt m 8 p 1.25 - m 8 p. 1x50
29	2.0432.028.1	2	stud bolt m 8 p.1.25-1x130
30	2.1653.717.0	1	pin 8 x 40
31	0.041.1159.0/10	1	filter
32	2.1411.012.1	1	circlip 30
33	0.041.1135.3	1	plug
34	2.1569.072.0	1	gasket 32 x 39.5 x 2
35	2.0119.081.2	2	screw
36	2.0112.235.2	1	screw m 8 p.1.25 x 130
37	2.1011.505.2	4	nut m 8 p.1
38	2.1310.004.2	4	flat washer 8.4x17
39	0.037.1151.0	1	cover
40	2.1579.191.0	4	spacer 8.5 x 18 x 20

Section: ENGINE

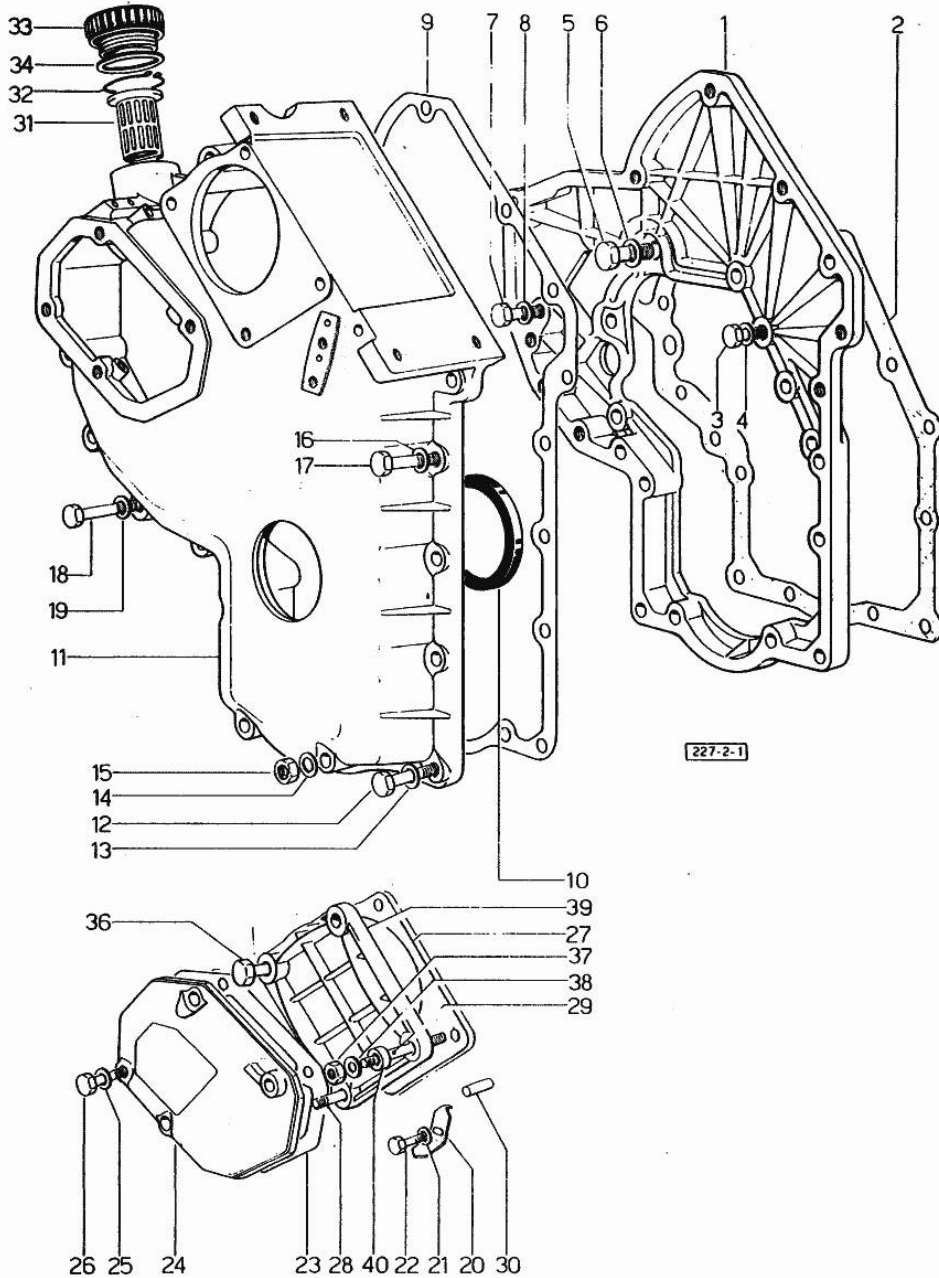
**TIMING CASING - BORE 100**

Fig.	P/n	QTY	Name
------	-----	-----	------

**Notes:**

--> 31406 E --> 50231 FOR LOW TYPE [Centauro 70 special dal 30001]

1	0.048.1131.0	1	flange
2	0.041.1153.0	1	gasket
3	2.0112.211.2	3	screw m 8 p.1.25 x 30
4	2.1474.009.1	5	spring washer 8
5	2.0119.034.1	1	screw m 14 p.2x20
6	2.1560.010.0	1	gasket 14.2 x 20
7	2.0122.207.2	1	screw m 8 p.1x20
8	2.1474.009.1	1	spring washer 8
9	0.041.1152.0	1	gasket
10	2.1519.010.0	1	special oil seal 58x80x10
11	0.048.1132.0/30	1	guard
12	2.0112.217.2	5	screw m 8 p.1.25 x 45
13	2.1474.009.1	5	spring washer 8
14	2.1560.003.0	2	copper gasket 8.2 x 12
15	2.1011.405.2	1	nut m 8 p.1
16	2.1474.009.1	2	spring washer 8
17	2.0112.211.2	2	screw m 8 p.1.25 x 30
18	2.0112.222.2	4	screw m 8 p.1.25x65
19	2.1474.009.1	4	spring washer 8
20	0.041.1158.0	1	index
21	2.1310.004.2	1	flat washer 8.4x17
22	2.0112.204.2	1	screw m 8 p.1.25x14
23	0.048.1151.0/10	1	gasket
24	0.048.1150.0/20	1	cover
25	2.1560.006.0	4	gasket 10.2 x 16
26	2.0112.315.2	4	screw m 10 p.1.5 x 40
27	0.041.1154.0	1	gasket
28	2.0432.015.1	1	stud bolt m 8 p 1.25 - m 8 p. 1x50
29	2.0432.028.1	2	stud bolt m 8 p.1.25-1x130
30	2.1653.717.0	1	pin 8 x 40
31	0.041.1159.0/10	1	filter
32	2.1411.012.1	1	circlip 30
33	0.041.1135.3	1	plug
34	2.1569.072.0	1	gasket 32 x 39.5 x 2
36	2.0112.235.2	1	screw m 8 p.1.25 x 130
37	2.1011.505.2	3	nut m 8 p.1
38	2.1310.004.2	4	flat washer 8.4x17
39	0.037.1151.0	1	cover
40	2.1579.191.0	4	spacer 8.5 x 18 x 20

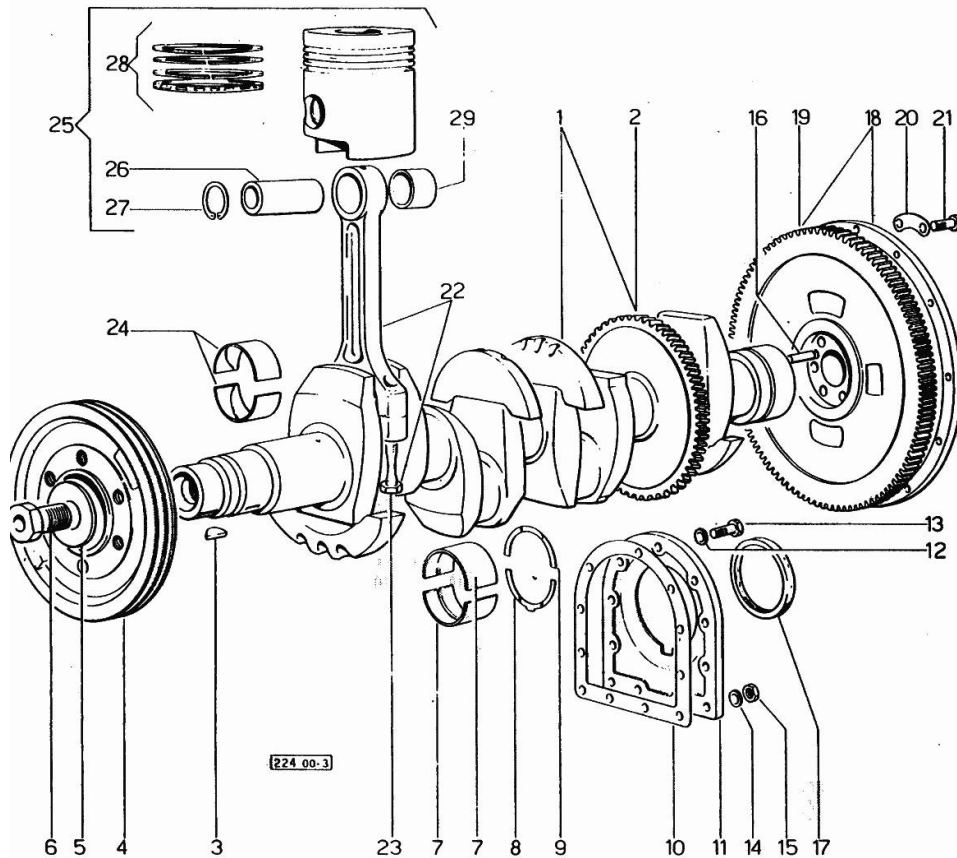


**CRANKSHAFT - BORE 98**

Fig.	P/n	QTY	Name
------	-----	-----	------

**Notes:**

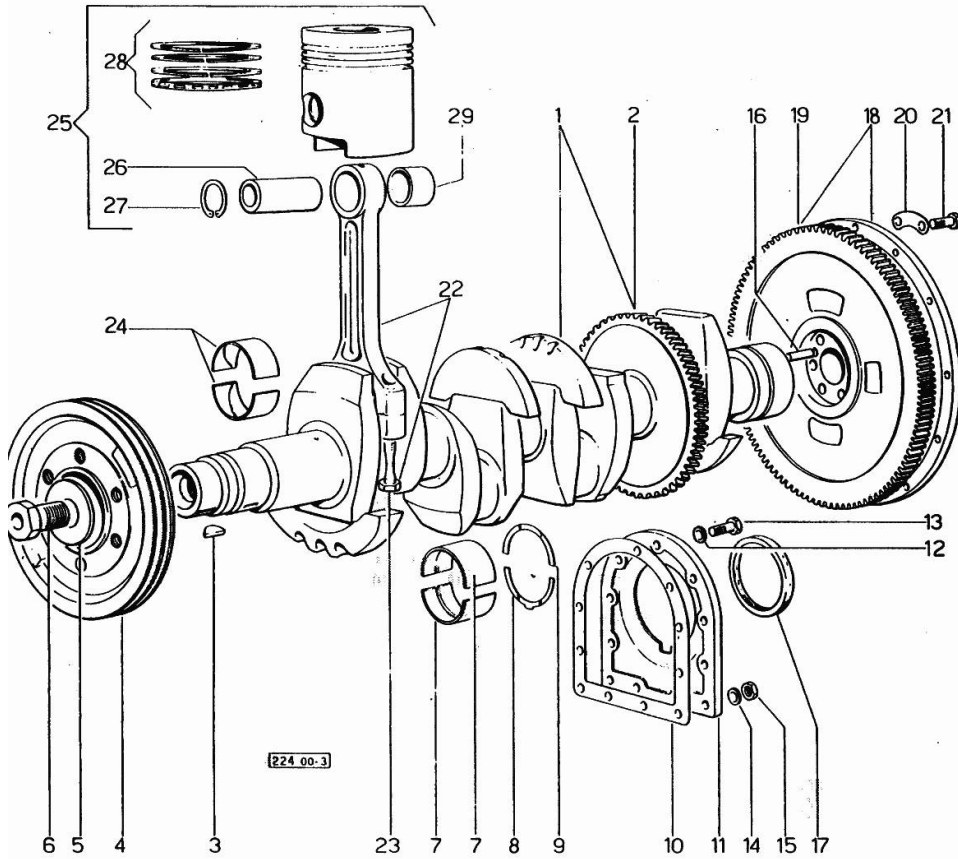
31405 <-- E 50230 <-- FOR LOW TYPE [Centauro 70 special dal 30001]



1	0.044.1267.4/20	1	crankshaft
1	2.1630.611.0	1	roll pin 6 x 24
2	0.044.1265.0/10	1	gear
3	2.1799.002.0	1	stick 10x13
4	0.044.1244.0/50	1	pulley
5	0.001.6020.0	1	shoulder
6	2.0129.032.2	1	screw m 24 p.2x45
7	0.029.0066.0		main half bushing - mm 1.00
7	0.029.1215.0/10	10	main half bushing
7	0.029.1215.7		main half bushing - mm 0.25
7	0.029.1215.8		main half bushing - mm 0.50
7	0.029.1215.9		main half bushing - mm 0.75
8	0.001.4547.0		shoulder ring + mm 0.05
8	0.001.4548.0		shoulder ring + mm 0.10
8	0.001.4549.0		shoulder ring + mm 0.15
8	0.042.1219.0	2	shoulder ring STANDARD
9	0.001.4544.0		shoulder ring + mm 0.05
9	0.001.4545.0		shoulder ring + mm 0.10
9	0.001.4546.0		shoulder ring + mm 0.15
9	0.042.1218.0	2	shoulder ring STANDARD
10	0.029.1250.0	1	gasket
11	0.029.1240.0	1	flange
12	2.1474.010.1	7	spring washer 10
13	2.0112.309.2	7	screw m 10 p.1.5 x 25
14	2.1560.006.0	2	gasket 10.2 x 16
15	2.1011.421.2	2	nut m 10 p.1.25
16	2.1652.915.0	2	cylindrical plug 12x35
17	2.1519.009.0/10	1	special oil seal
18	0.039.1241.3/10	1	flywheel
19	0.036.1242.0	1	crown wheel Z = 126, mm 15
20	2.1379.006.0	3	lock-tab 15x15x36,5
21	2.0122.515.7	6	screw
22	0.052.1220.3/10	4	engine connecting rod
23	0.039.1250.0	8	screw m 14 p.1.5x63
24	0.039.0068.0		con.rod half bushing - mm 1.016
24	0.039.1225.0	8	con.rod half bushing
24	0.039.1225.7		con.rod half bushing -mm 0.254
24	0.039.1225.8		con.rod half bushing -mm 0.508
24	0.039.1225.9		con.rod half bushing -mm 0.762
25	0.053.0060.6/10	4	complete piston STANDARD
25	0.053.0061.6/10		complete piston + mm 0.50

**CRANKSHAFT - BORE 98**

Fig.	P/n	QTY	Name
25	0.053.0062.6/10		complete piston + mm 1.0
26	0.002.4167.0	4	piston pin
27	2.1411.014.1	8	circlip 35
28	0.053.0052.6/10	4	piston ring set
28	0.053.0053.6/10		piston ring set + mm 0.50
28	0.053.0054.6/10		piston ring set + mm 1.0
29	0.002.4168.0	4	bearing



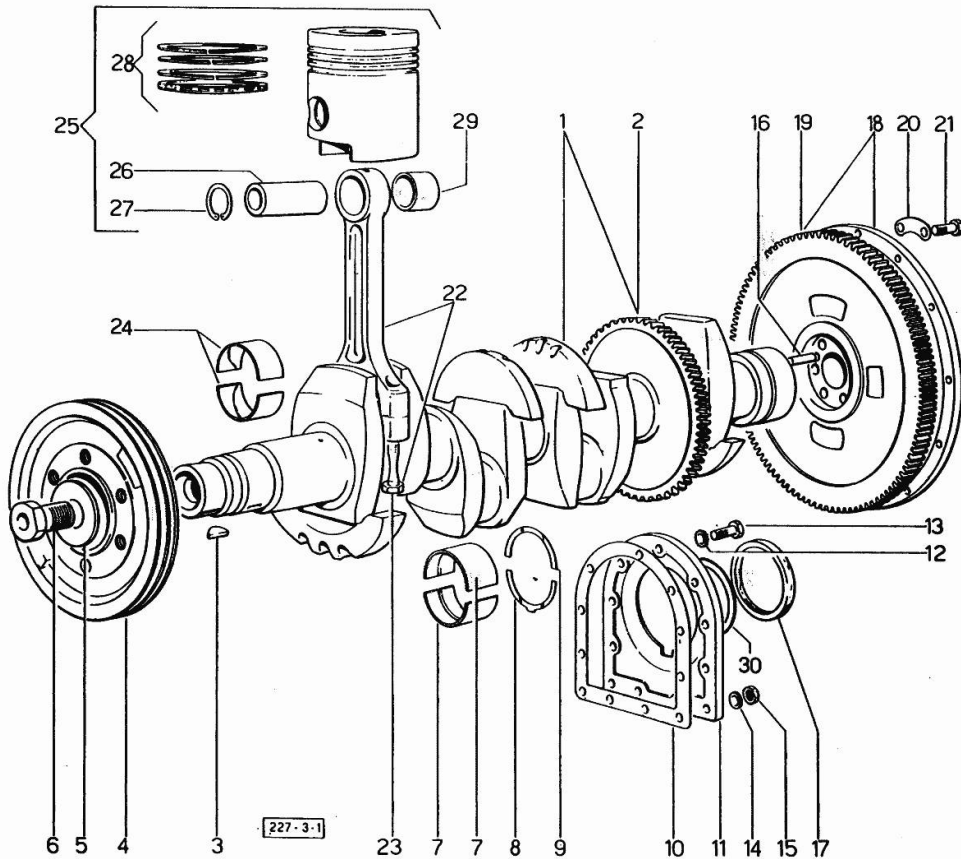


**CRANKSHAFT - BORE 100**

Fig.	P/n	QTY	Name
------	-----	-----	------

**Notes:**

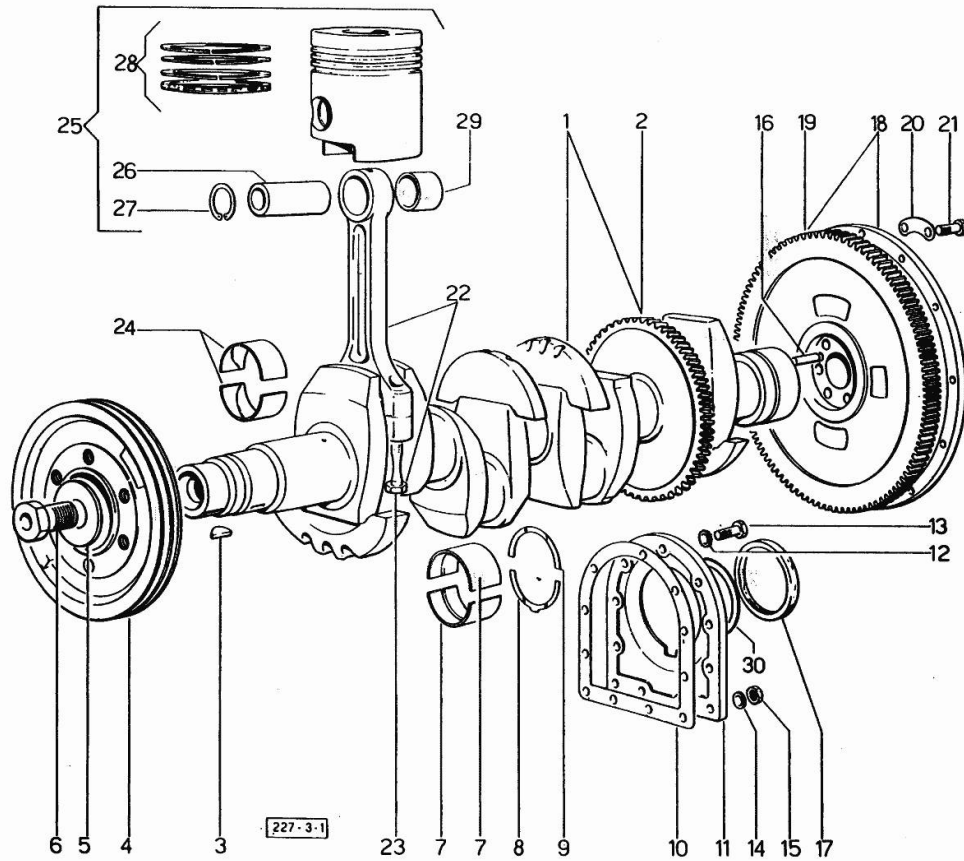
--> 31406 E -> 50231 FOR LOW TYPE [Centauro 70 special dal 30001]



1	0.044.1267.4/20	1	crankshaft
1	2.1630.611.0	1	roll pin 6 x 24
2	0.044.1265.0/10	1	gear
3	2.1799.002.0	1	stick 10x13
4	0.062.1250.0	1	pulley
5	0.001.6020.0	1	shoulder
6	2.0129.032.2	1	screw m 24 p.2x45
7	0.029.0066.0		main half bushing - mm 1.00
7	0.029.1215.0/10	10	main half bushing
7	0.029.1215.7		main half bushing - mm 0.25
7	0.029.1215.8		main half bushing - mm 0.50
7	0.029.1215.9		main half bushing - mm 0.75
8	0.001.4547.0		shoulder ring + mm 0.05
8	0.001.4548.0		shoulder ring + mm 0.10
8	0.001.4549.0		shoulder ring + mm 0.15
8	0.042.1219.0	2	shoulder ring STANDARD
9	0.001.4544.0		shoulder ring + mm 0.05
9	0.001.4545.0		shoulder ring + mm 0.10
9	0.001.4546.0		shoulder ring + mm 0.15
9	0.042.1218.0	2	shoulder ring STANDARD
10	0.029.1250.0	1	gasket
11	0.029.1240.0/10	1	flange
12	2.1474.010.1	7	spring washer 10
13	2.0112.309.2	7	screw m 10 p.1.5 x 25
14	2.1560.006.0	2	gasket 10.2 x 16
15	2.1011.421.2	2	nut m 10 p.1.25
16	2.1652.915.0	2	cylindrical plug 12x35
17	2.1519.009.0/10	1	special oil seal
18	0.045.1258.3/10	1	flywheel
19	0.036.1242.0	1	crown wheel Z = 126, mm 15
20	2.1379.006.0	3	lock-tab 15x15x36,5
21	2.0122.515.7	6	screw
22	0.052.1220.3/10	4	engine connecting rod
23	0.039.1250.0	8	screw m 14 p.1.5x63
24	0.039.0068.0		con.rod half bushing - mm 1.016
24	0.039.1225.0	8	con.rod half bushing
24	0.039.1225.7		con.rod half bushing -mm 0.254
24	0.039.1225.8		con.rod half bushing -mm 0.508
24	0.039.1225.9		con.rod half bushing -mm 0.762
25	0.072.0060.6	4	complete piston STANDARD
25	0.072.0061.6		complete piston + mm 0.50

**CRANKSHAFT - BORE 100**

Fig.	P/n	QTY	Name
25	0.072.0062.6		complete piston + mm 1.0
26	0.002.4167.0	4	piston pin
27	2.1411.014.1	8	circlip 35
28	0.072.0052.6	4	piston ring set STANDARD
28	0.072.0053.6		piston ring set + mm 0.50
28	0.072.0054.6		piston ring set + mm 1.0
29	2.1559.114.0	4	bushing
30	2.1599.404.0	1	shoulder ring



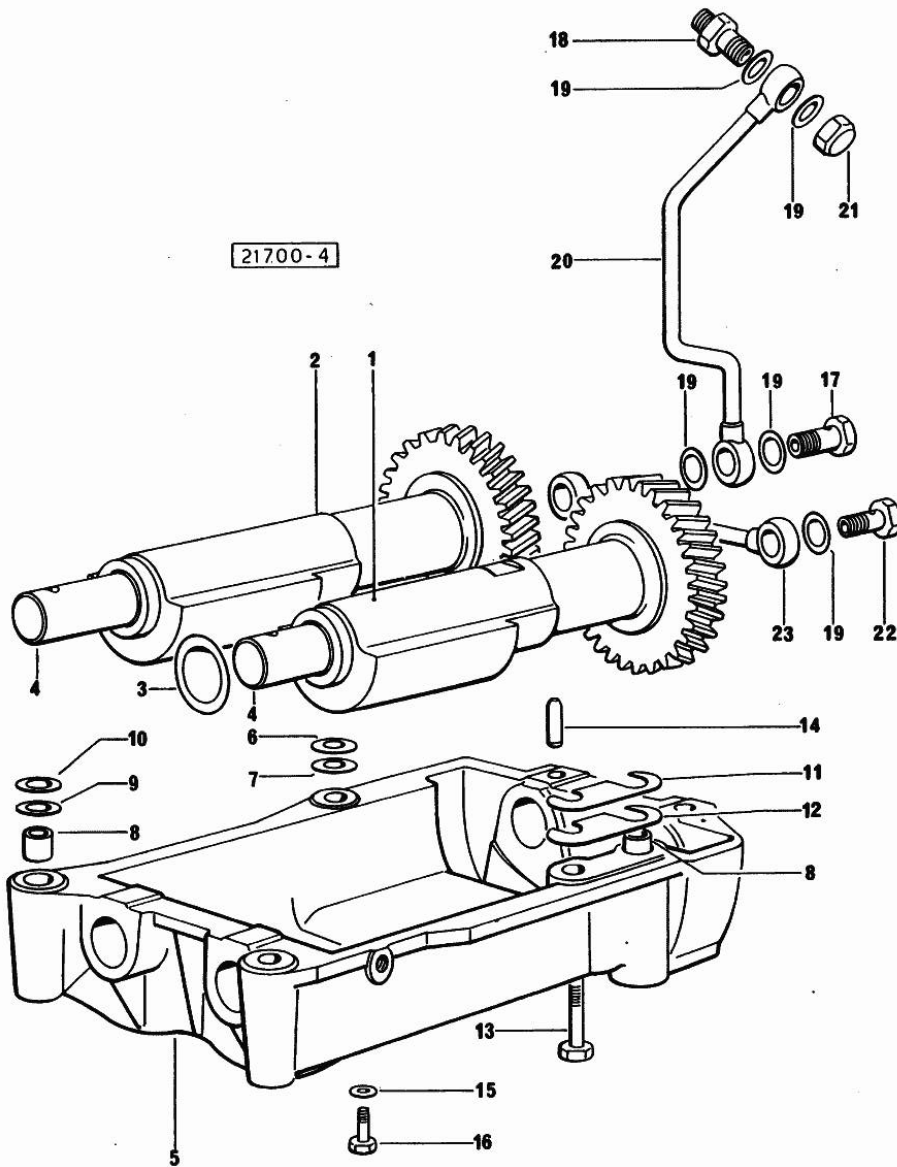
**HARMONIC BALANCER - BORE 98**

Fig.	P/n	QTY	Name
------	-----	-----	------

**Notes:**

31405 <-- E 50230 <-- FOR LOW TYPE [Centauro 70 special dal 30001]

1	0.044.1263.3/20	1	mass sx/lh/li
1	2.1559.115.0	2	special bushing 26x30x30
2	0.044.1261.3/10	1	mass dx/rh/re
2	2.1559.115.0	2	special bushing 26x30x30
3	2.1589.050.0/10	4	shoulder ring 26.1x38x1
4	0.044.1266.0/20	2	shaft
5	0.044.1260.0/30	1	support
6	2.1589.049.0	2	shoulder ring 12.5x26x0.3
7	2.1579.629.0	2	spacer 12.5x26x0.1
8	2.1579.626.0	2	spacer 13.2x16x11
9	2.1579.628.0	1	spacer 16.5x26x0.1
10	2.1589.048.0	1	shoulder ring 16.5x26x0.3
11	2.1379.038.0	1	shim mm 0.1
12	2.1379.039.0	1	shim mm 0.3
13	2.0112.426.1	2	screw m 12 p.1.75x85
14	2.1631.717.0	2	roll pin 8 x 40
15	2.1310.004.2	1	flat washer 8.4x17
15	2.1474.009.1	2	spring washer 8
16	2.0112.204.2	3	screw m 8 p.1.25x14
17	2.3339.515.1	1	pipe union m 12 p.1.25
18	2.3319.041.1	1	pipe union m 12 p.1.25-p.1.75
19	2.1560.007.0	7	gasket 12.2x16
20	0.044.1562.2	1	tube
21	2.1019.048.1	1	special nut m 12 p.1.5
22	2.3332.003.1	1	pipe union m 12 p.1.25
23	0.319.1550.3	1	tube



Thank you so much for reading.  
Please click the “Buy Now!”  
button below to download the  
complete manual.



After you pay.

You can download the most  
perfect and complete manual in  
the world immediately.

Our support email:

[ebooklibonline@outlook.com](mailto:ebooklibonline@outlook.com)