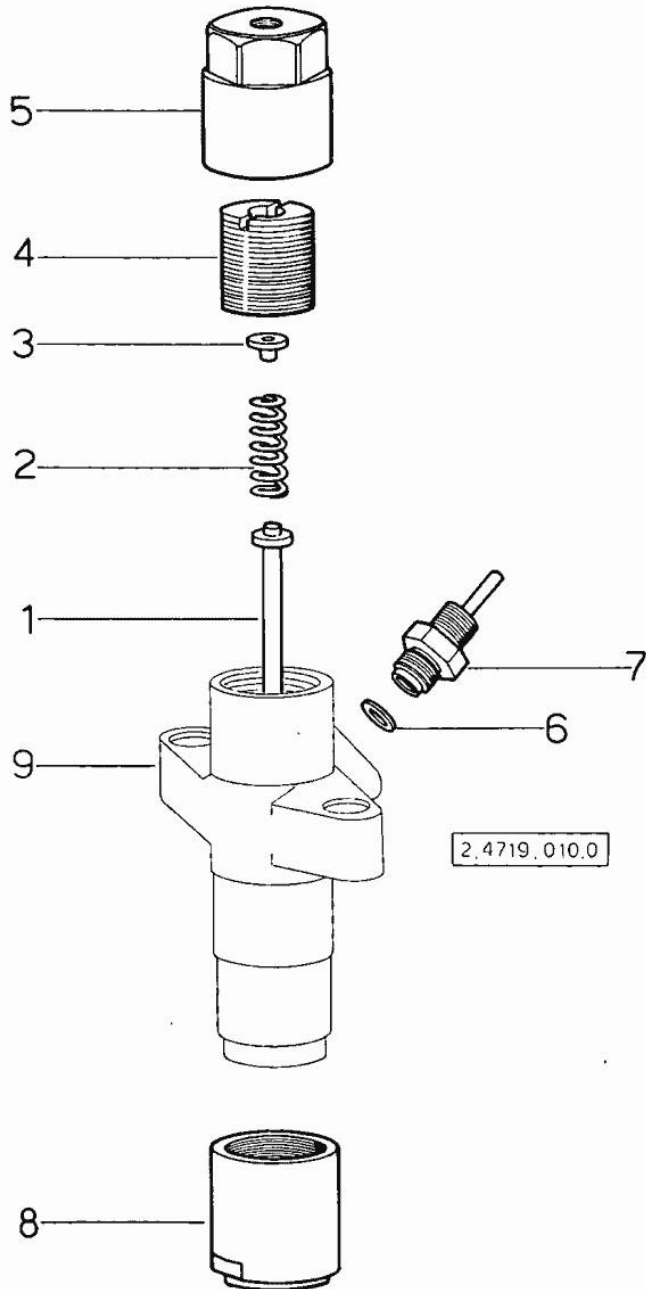


Section: ENGINE

INJECTOR NOZZLE HOLDER COMPONENTS

Fig.	P/n	QTY	Name
0	2.4719.010.0	1	nozzle holder BOSCH "BOSCH" 0.431.202.133 ☞ 2.4719.010.0
1	2.4719.010.1	1	pin "BOSCH" 2.433.124.302
2	2.4719.010.2	1	spring "BOSCH" 2.434.619.028
3	2.4719.010.3	1	bush "BOSCH" 2.430.120.002
4	2.4719.010.4	1	ring nut "BOSCH" 2.433.462.044
5	2.4719.010.5	1	small cap "BOSCH" 2.433.317.028
6	2.4719.010.7	1	gasket "BOSCH" 2.430.100.040
7	2.4719.010.6	1	pipe fitting "BOSCH" 2.433.357.033
8	2.4719.010.8	1	ring nut "BOSCH" 2.433.314.059
9	0.000.0000.1		cannot be supplied



Section: ENGINE

INJECTION PUMP PARTS

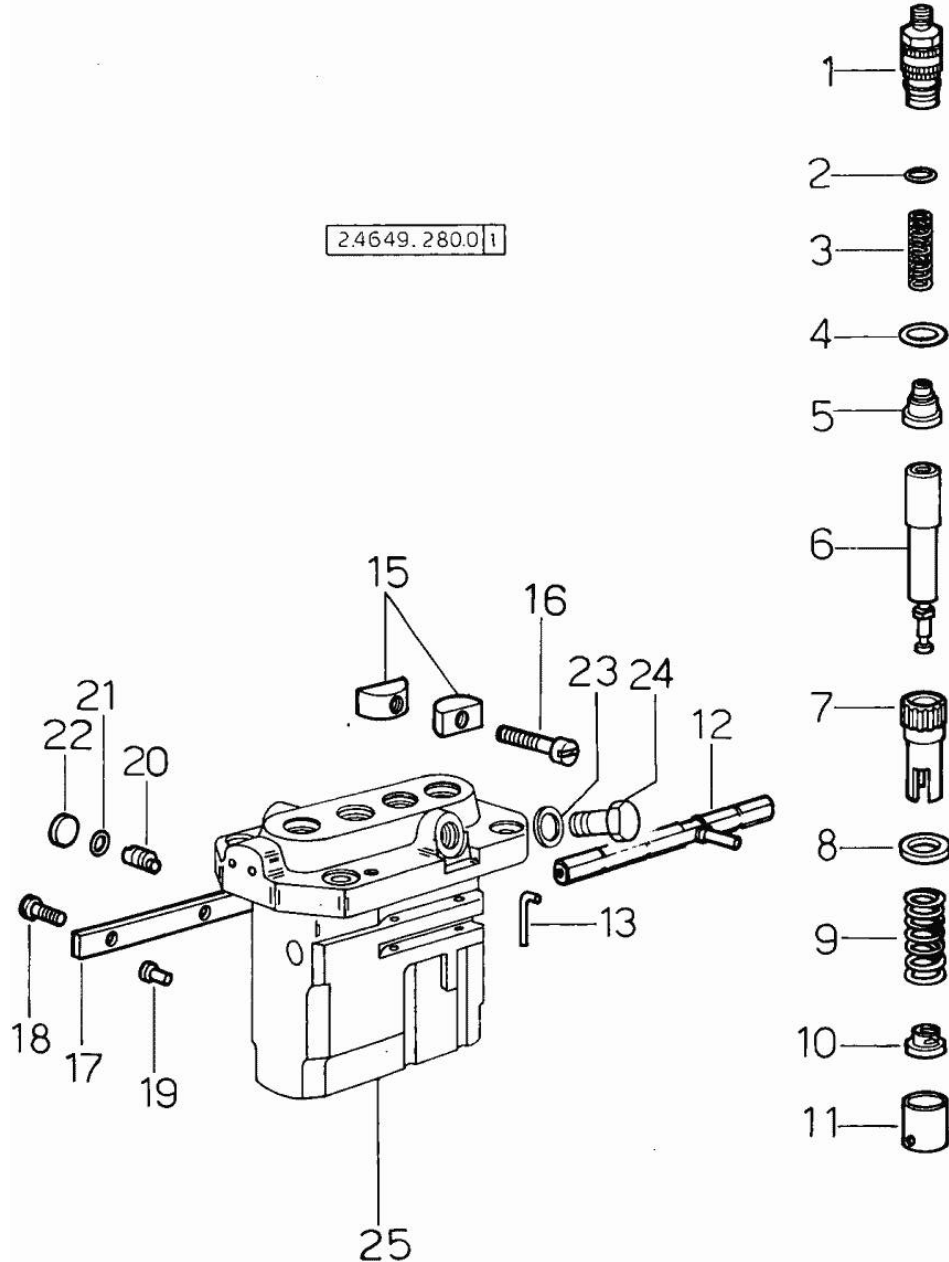


Fig.	P/n	QTY	Name
0	2.4649.280.0	1	injector pump "BOSCH 0.414.184.001" ☞ 2.4649.280.0
1	2.4629.150.3	4	bush "BOSCH 1.413.370.045"
2	2.4629.150.4	4	gasket "BOSCH 1.900.210.112"
3	2.4629.150.5	4	spring "BISCH 1.414.611.024"
4	2.4629.150.6	4	gasket "BOSCH 1.410.105.001"
5	2.4629.150.1	4	rod "BOSCH 1.418.502.013"
6	2.4629.150.8	4	pumping element "BOSCH 3.418.301.003"
7	2.4629.151.7	4	bush "BOSCH 1.416.300.003"
8	2.4629.151.6	4	washer "BOSCH 1.410.501.000"
9	2.4629.150.9	4	spring "BOSCH 1.414.618.021"
10	2.4629.151.0	4	cap-washer "BOSCH 1.410.122.017"
11	2.4629.151.1	4	tappets "BOSCH 1.418.700.009"
12	2.4649.280.2	1	rod "BOSCH 3.416.004.001"
13	2.4649.280.4	2	pin "BOSCH 3.414.720.001"
15	2.4629.010.2	3	terminal 'BOSCH 1.400.023.001'
16	2.4649.280.6	3	screw 'BOSCH 2.910.022.204'
17	2.4649.280.3	1	small plate 'BOSCH 3.411.032.000'
18	2.4649.280.5	2	screw 'BOSCH 2.910.511.150'
19	2.4649.281.0	4	plug 'BOSCH 1.413.121.010'
20	2.4649.280.7	4	pin 'BOSCH 3.413.180.000'
21	2.4649.280.8	4	oil seal 'BOSCH 3.410.210.004'
22	2.4649.280.9	4	plug

INJECTION PUMP PARTS

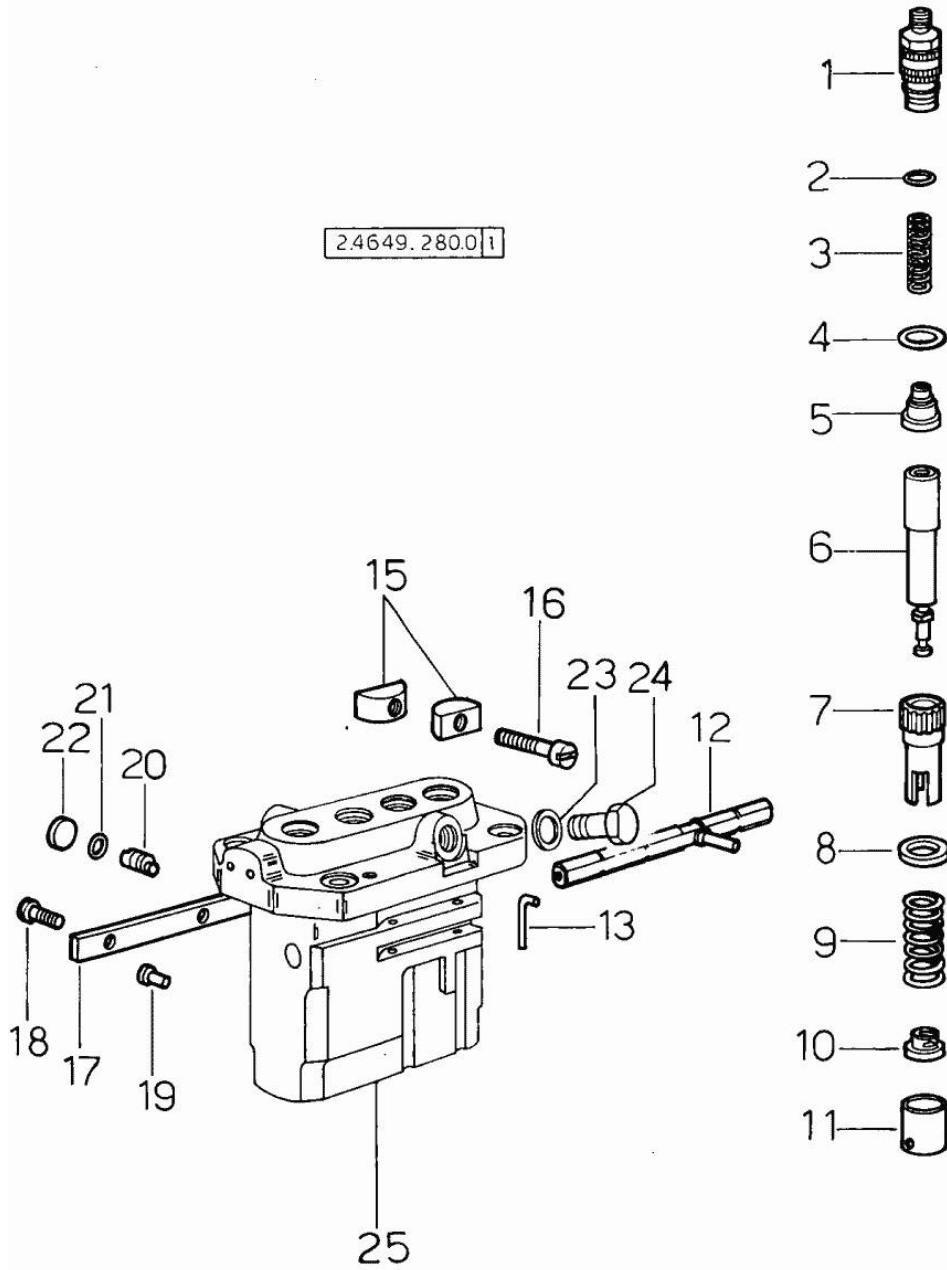
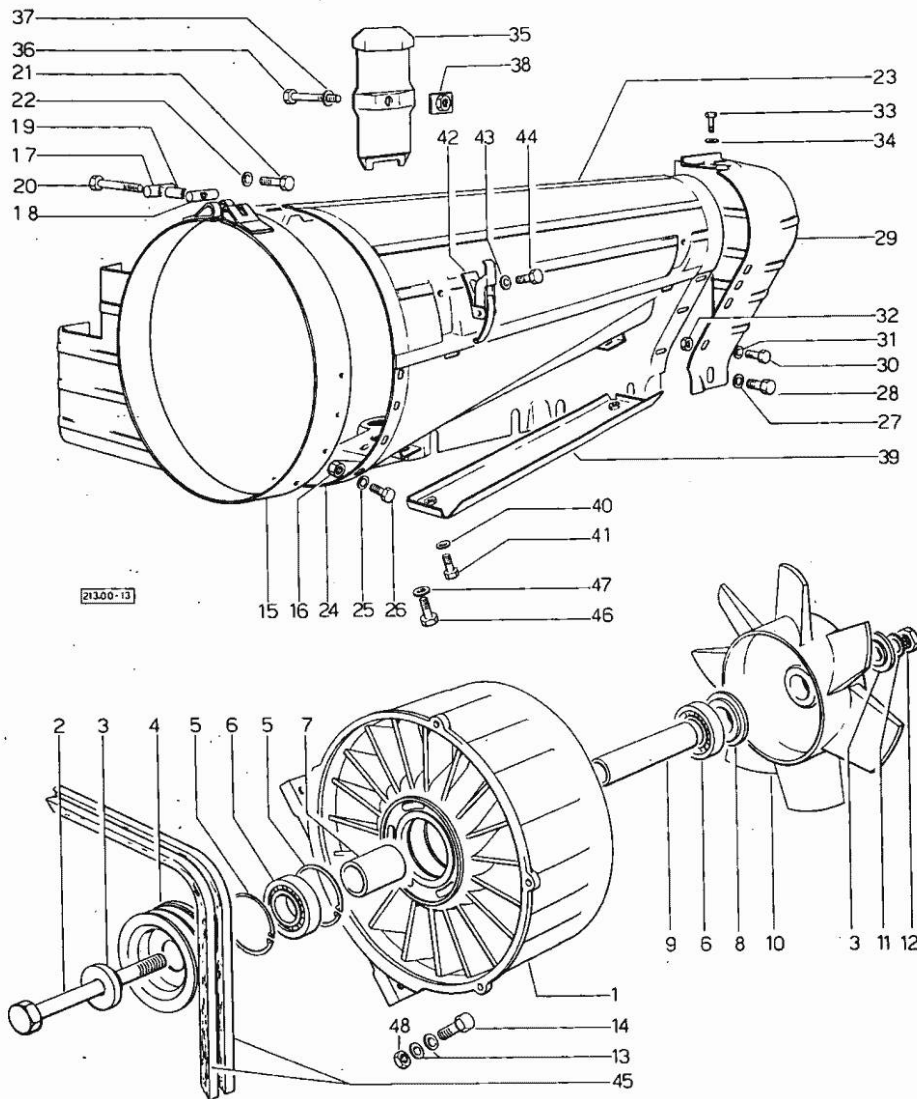


Fig.	P/n	QTY	Name
1			'BOSCH 1.410.555.005'
23	2.1560.007.0	1	gasket 12.2x16
24	2.3110.402.1	1	plug m 12 p.1.5x10
25	0.000.0000.1		cannot be supplied

Section: ENGINE

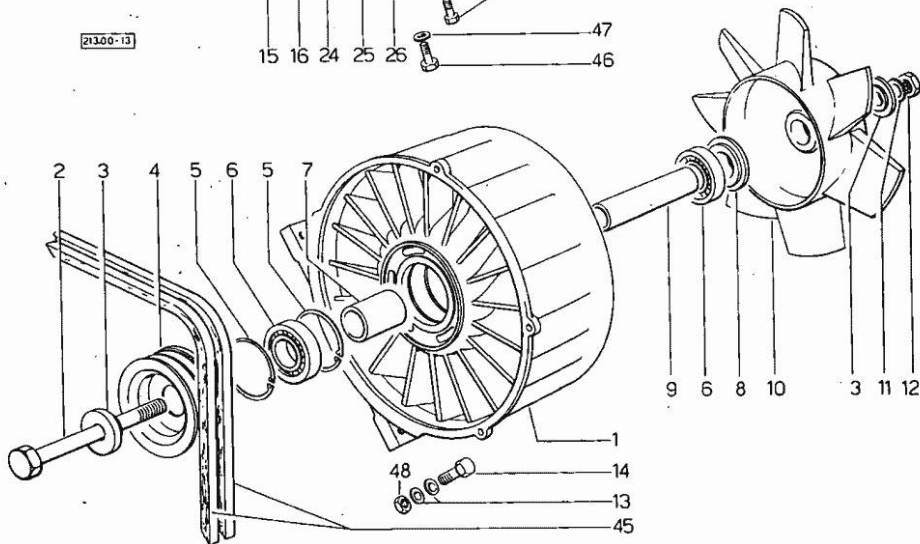
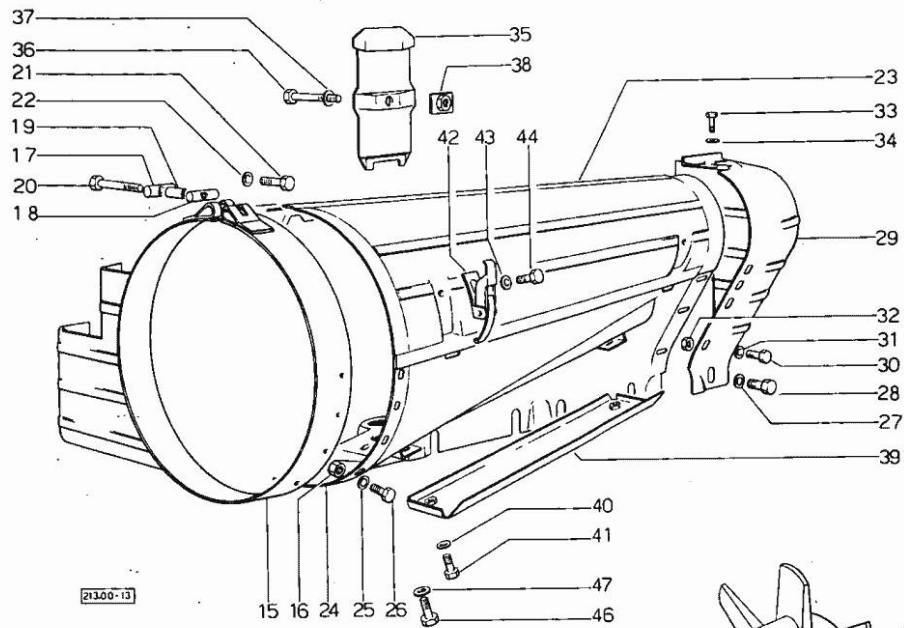
AIR COOLING

Fig.	P/n	QTY	Name
1	0.045.1730.3	1	ventilator body
2	2.0122.545.2	1	screw m 14 p.1.5x190
3	0.037.1752.0	2	shoulder ring
3	2.9619.082.3	1	screw
4	0.040.1735.0	2	pulley
5	2.1411.025.1	2	circlip 62
6	2.2041.012.0	1	ball bearing iso 30 bc 02
7	2.1579.167.2	1	spacer 30.8x36x64
8	0.037.1751.0	1	spacer
9	0.037.1734.0	1	pin
10	0.037.1736.0	1	fan
11	2.1470.008.2	1	lock washer 14
12	2.1011.408.1	1	nut m 14 p.1.5
13	2.1310.004.2	7	flat washer 8.4x17
14	2.0112.207.2	1	screw m 8 p 1.25 x 20
14	2.0112.213.2	3	screw m 8 p.1.25 x 35
15	0.044.1719.3/30	1	duct
16	2.1011.103.2	4	nut m 6 p.1
17	0.000.2897.0	1	pin 12x30
18	0.000.2898.0	1	pin 12x30
19	2.1579.161.0	1	spacer 9x12x14.5
20	2.0112.221.2	1	screw m 8 p.1.25 x 60
21	2.0112.204.2	4	screw m 8 p.1.25x14
22	2.1310.004.2	4	flat washer 8.4x17
23	0.044.1750.2/20	1	cover
24	0.044.1713.2/10	1	cover
25	2.1310.002.2	4	flat washer 6.4x12.5
26	2.0112.004.2	4	screw m 6 p.1 x 14
27	2.1310.004.2	7	flat washer 8.4x17
28	2.0112.204.2	7	screw m 8 p.1.25x14
29	0.047.1716.2/10	1	cover
30	2.0112.004.2	3	screw m 6 p.1 x 14
31	2.1310.002.2	3	flat washer 6.4x12.5
32	2.1011.103.2	3	nut m 6 p.1
33	2.0112.002.2	2	screw m 6 p.1 x 10
34	2.1310.002.2	2	flat washer 6.4x12.5
35	0.040.1752.0/10	3	baffle
36	2.0119.074.2	3	screw
37	2.1310.004.2	3	flat washer 8.4x17
38	0.046.1750.2	3	small plate
39	0.044.1751.2/10	1	baffle
40	2.1310.004.2	2	flat washer 8.4x17
41	2.0112.204.2	2	screw m 8 p.1.25x14
42	0.040.1751.0	2	hook



AIR COOLING

Fig.	P/n	QTY	Name
43	2.1310.002.2	2	flat washer 6.4x12.5
44	2.0112.002.2	2	screw m 6 p.1 x 10
45	2.4119.042.0	2	vee belt
46	2.0122.213.2	2	screw m 8 p.1x35
47	2.1310.004.2	2	flat washer 8.4x17
48	2.1011.105.2	3	nut m 8 p.1.25



Section: ENGINE

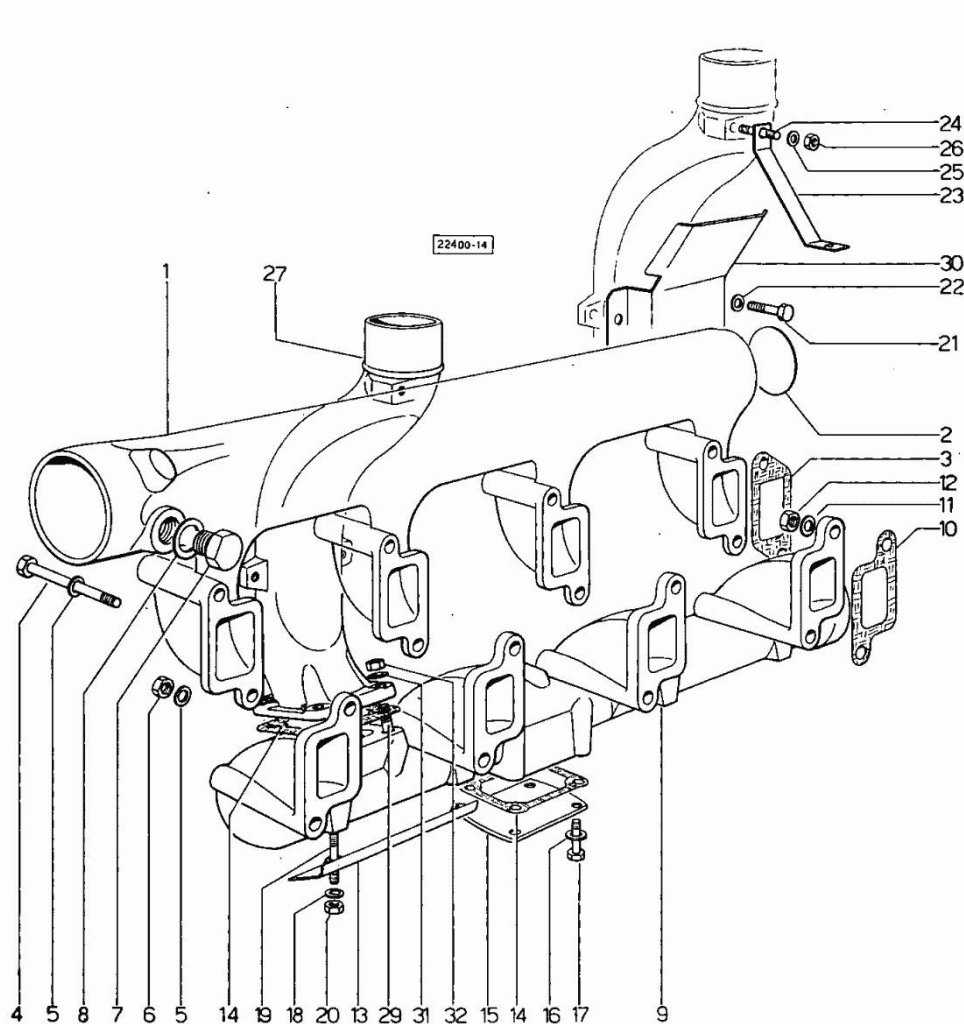
INTAKE AND EXHAUST

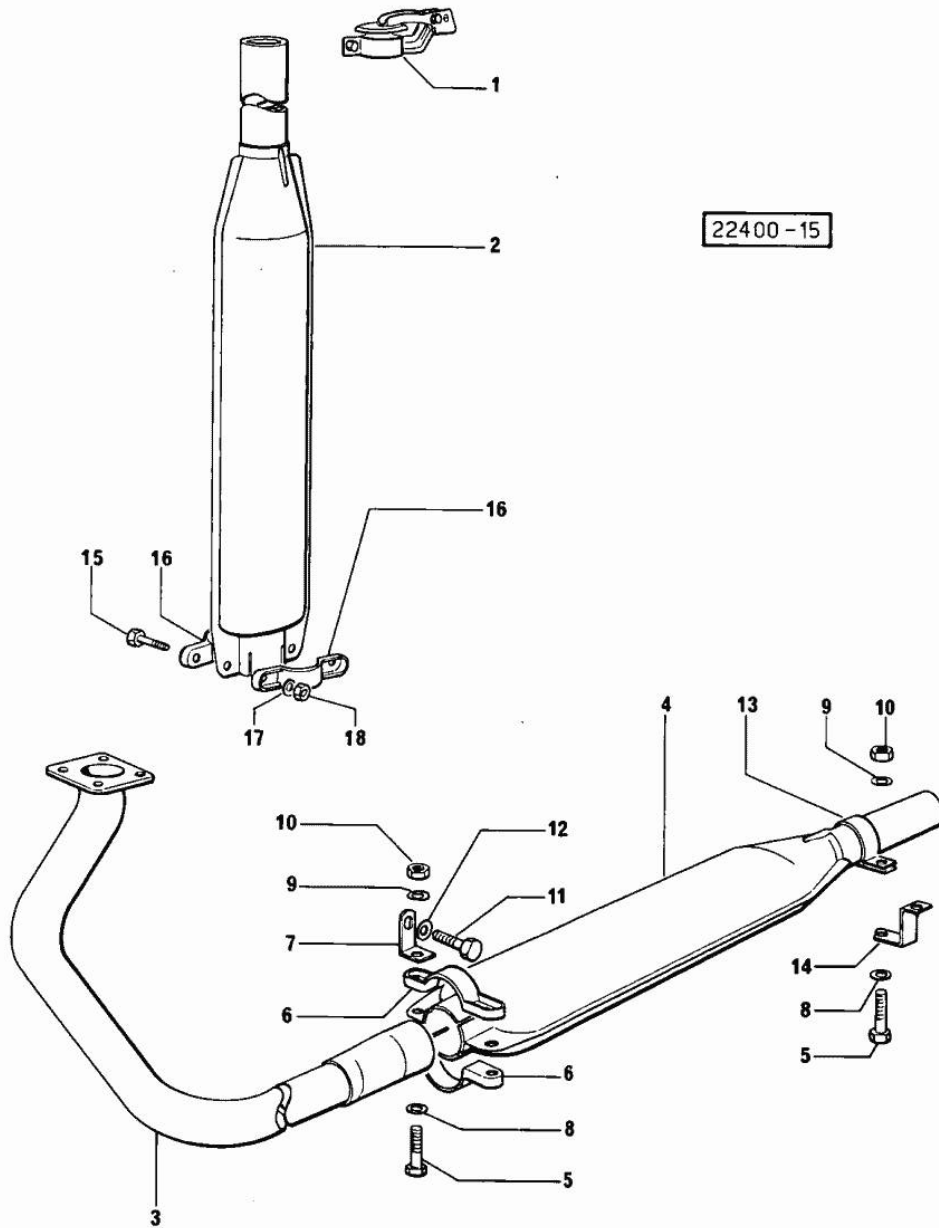
Fig.	P/n	QTY	Name
1	0.044.1850.3	1	intake manifold
2	2.3170.020.1	1	expansion plug 50
3	0.029.1855.0	4	gasket
4	2.0112.227.2	4	screw m 8 p.1.25 x 90
5	2.1474.009.1	8	spring washer 8
6	2.1011.305.2	4	nut
7	2.3110.406.1	1	plug m 20 x 16
8	2.1560.016.0	1	gasket 20.2 x 26
9	0.045.1853.0	1	exhaust manifold
FOR TYPES WITH HORIZONTAL SILENCER			
9	0.045.1853.6	1	exhaust manifold
10	0.029.1856.0	4	gasket
11	2.1310.004.2	8	flat washer 8.4x17
12	2.1019.033.0	8	special nut m 8 p.1
13	0.044.1853.0/20	1	small guard
14	0.044.1857.0/10	3	gasket
15	0.044.1855.0/10	2	small cover
16	2.1310.006.2	8	flat washer 10.5x21
17	2.0112.307.2	8	screw m 10 p.1.5 x 20
18	2.1310.004.2	2	flat washer 8.4x17
19	2.0439.081.1	2	stud bolt m 8 x 14
20	2.1011.505.2	2	nut m 8 p.1
21	2.0112.204.2	2	screw m 8 p.1.25x14
22	2.1310.004.2	2	flat washer 8.4x17
23	0.054.1858.0	1	old part number
24	2.0432.153.1	1	stud bolt m 10 p.1.5 / p.1.25 x 20
25	2.1310.006.2	1	flat washer 10.5x21
26	2.1019.015.0	1	special nut m 10 p.1.25
27	0.044.1860.0	1	exhaust manifold
29	2.0432.157.1	4	stud bolt m 10 p 1.5 - 1.25 x 30
30	0.045.1850.0/10	1	shield
31	2.1310.006.2	4	flat washer 10.5x21
32	2.1019.015.0	4	special nut m 10 p.1.25

Section: ENGINE

EXHAUST PIPE

Fig.	P/n	QTY	Name
1	0.194.5640.4	1	small cover
2	0.190.5657.3	1	silencer
3	0.226.5625.2	1	exhaust pipe
4	0.203.5610.3	1	silencer
5	2.0112.209.2	3	screw m 8 p 1.25 x 25
6	0.190.5663.0	2	clamp
7	0.226.5651.0	1	old part number
8	2.1310.004.2	3	flat washer 8.4x17
9	2.1470.004.2	3	lock washer 8
10	2.1011.105.2	3	nut m 8 p.1.25
11	2.0112.609.2	1	screw m 16 p.2 x 25
12	2.1310.010.2	1	flat washer 17x30
13	0.203.5651.0	1	clamp
14	0.226.5650.0	1	old part number
15	2.0122.363.2	2	screw m 10 p.1.25 x 35
16	0.190.5659.0/10	2	clamp
17	2.1470.006.2	2	lock washer 10
18	2.1019.015.0	2	special nut m 10 p.1.25

22400-15



Section: ENGINE

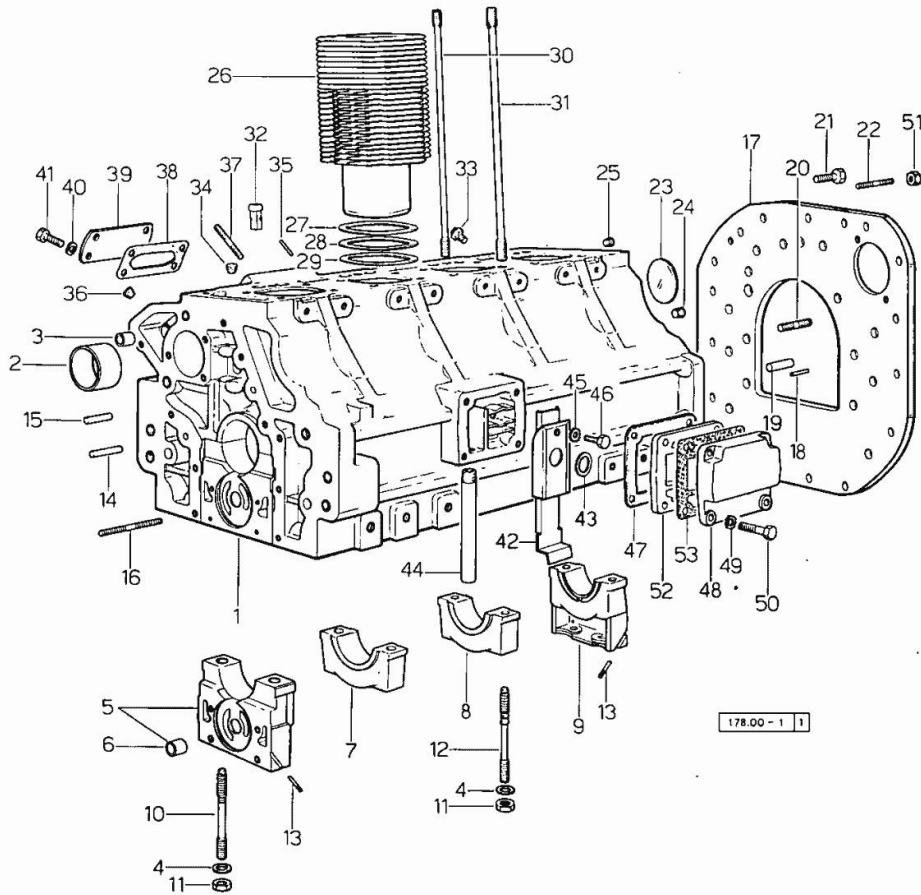
CRANKCASE

Fig.	P/n	QTY	Name
0	0.044.0050.6	1	gasket set FOR ENGINE ASSEMBLY
1	0.044.1110.4/60	1	crankcase
2	0.037.1155.0	1	bushing
3	2.1559.111.0	2	bushing 12x14x10
4	2.1599.144.7	10	shoulder ring 12.5x23x4
5	0.036.1112.6	1	support
6	2.1559.090.0/10	1	bushing 14.24x19.06x27
7	0.037.1114.0	1	support
8	0.029.1113.0	2	support
9	0.029.1116.0	1	support
10	0.021.1157.0	4	stud bolt
11	2.1019.026.7	10	special nut m 12 p.1.5
12	0.029.1117.0	6	stud bolt
13	0.029.1154.0	4	gasket
14	2.1699.114.0	1	pin 8x55
15	2.1653.711.0	1	pin
16	2.0432.025.1	2	stud bolt m 8 p 1.25-1x100
17	0.044.1130.0	1	flange
18	2.1653.708.0	2	pin 8x18
19	2.1652.911.0	1	cylindrical plug 12x25
20	2.0432.153.1	1	stud bolt m 10 p.1.5 / p.1.25 x 20
21	2.0112.513.1	11	screw m 14 p.2 x 35
22	2.0432.255.1	2	stud bolt m 12 p.1.75 - 12 p.1.25x25
23	2.3170.022.1	1	expansion plug 60
24	2.3130.003.1	2	plug 3/8" gas
25	2.3130.002.1	1	plug 1/4" gas
26	0.044.1120.0/10	4	engine cylinder
27	2.1589.052.0	8	shoulder ring 115x123x0.2
28	2.1589.051.0	4	shoulder ring 116x123x0.1
29	2.1569.076.0	4	gasket 116x123x0.5
30	0.041.1123.0	4	stud bolt m 10
31	0.039.1122.0	16	stud bolt m 12 p.1.5x310
32	0.044.1156.0	8	special bushing
33	0.041.1151.3/10	4	sprayer nozzle
34	2.3130.001.1	4	plug 1/8" gas
35	2.1653.507.0	2	pin
36	2.3139.001.1	5	plug
37	2.0432.003.1	4	stud bolt m 8 p.1.25 / p.1 x 20
38	0.044.1151.0	1	gasket
39	0.044.1164.2	1	small cover
40	2.1310.004.2	4	flat washer 8.4x17
41	2.0112.204.2	4	screw m 8 p.1.25x14
42	0.044.1162.2	1	small guard

Section: ENGINE

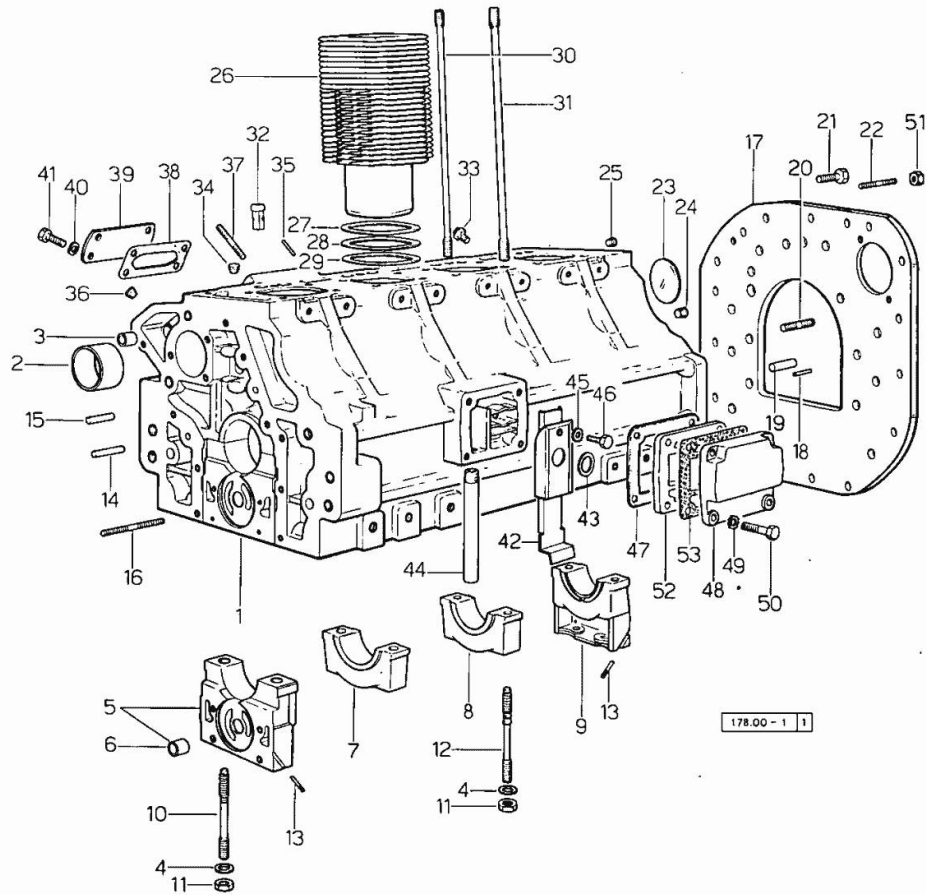
CRANKCASE

Fig.	P/n	QTY	Name
43	0.045.1150.0	1	oil seal
44	0.044.1152.0	1	tube
45	2.1474.009.1	1	spring washer 8
46	2.0312.206.2	1	screw m 8 p 1.25 x 20
47	0.044.1153.0/10	1	gasket
48	0.044.1163.0	1	cover
49	2.1474.009.1	4	spring washer 8
50	2.0112.211.2	4	screw m 8 p.1.25 x 30
51	2.1011.201.2	2	nut
52	0.044.1160.0	1	container
53	0.044.1161.0	1	gasket

Section: ENGINE

TIMING CASE

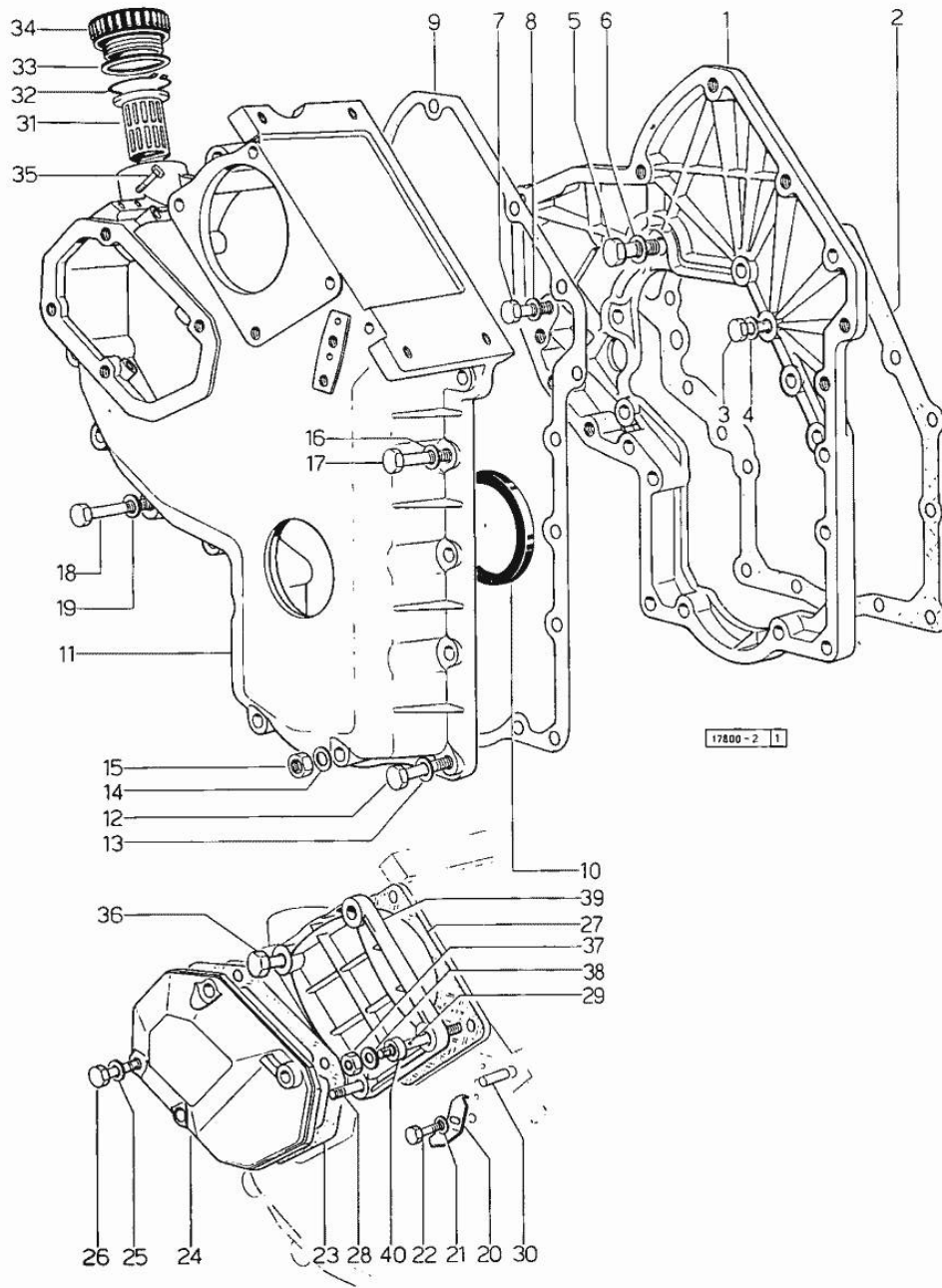


Fig.	P/n	QTY	Name
1	0.048.1131.0	1	flange
2	0.041.1153.0	1	gasket
3	2.0112.209.2	5	screw m 8 p 1.25 x 25
4	2.1474.009.1	5	spring washer 8
5	2.0119.034.1	1	screw m 14 p.2x20
6	2.1560.010.0	1	gasket 14.2 x 20
7	2.0112.207.2	1	screw m 8 p 1.25 x 20
8	2.1474.009.1	1	spring washer 8
9	0.041.1152.0	1	gasket
10	2.1519.010.0	1	special oil seal 58x80x10
11	0.048.1132.0/30	1	guard
12	2.0112.217.2	5	screw m 8 p.1.25 x 45
13	2.1474.009.1	5	spring washer 8
14	2.1560.003.0	2	copper gasket 8.2 x 12
15	2.1011.405.2	2	nut m 8 p.1
16	2.1474.009.1	2	spring washer 8
17	2.0112.211.2	2	screw m 8 p.1.25 x 30
18	2.0112.222.2	4	screw m 8 p.1.25x65
19	2.1474.009.1	4	spring washer 8
20	0.041.1158.0	1	index
21	2.1310.004.2	1	flat washer 8.4x17
22	2.0112.204.2	1	screw m 8 p.1.25x14
23	0.048.1152.0	1	gasket
24	0.048.1150.0/20	1	cover
25	2.1560.005.0	4	copper gasket 10.2 x 14
26	2.0112.313.2	1	screw m 10 p.1.5 x 35
26	2.0112.315.2	3	screw m 10 p.1.5 x 40
27	0.041.1154.0	1	gasket
28	2.0432.015.1	1	stud bolt m 8 p 1.25 - m 8 p. 1x50
29	2.0432.028.1	2	stud bolt m 8 p.1.25-1x130
30	2.1653.717.0	1	pin 8 x 40
31	0.041.1159.0/10	1	filter
32	2.1411.012.1	1	circlip 30
33	2.1569.072.0	1	gasket 32 x 39.5 x 2
34	0.041.1135.0	1	plug
35	2.0119.081.2	2	screw
36	2.0112.235.2	1	screw m 8 p.1.25 x 130
37	2.1011.505.2	4	nut m 8 p.1
38	2.1310.004.2	4	flat washer 8.4x17
39	0.037.1151.0	1	cover
40	2.1579.191.0	4	spacer 8.5 x 18 x 20

Section: ENGINE

CRANKSHAFT

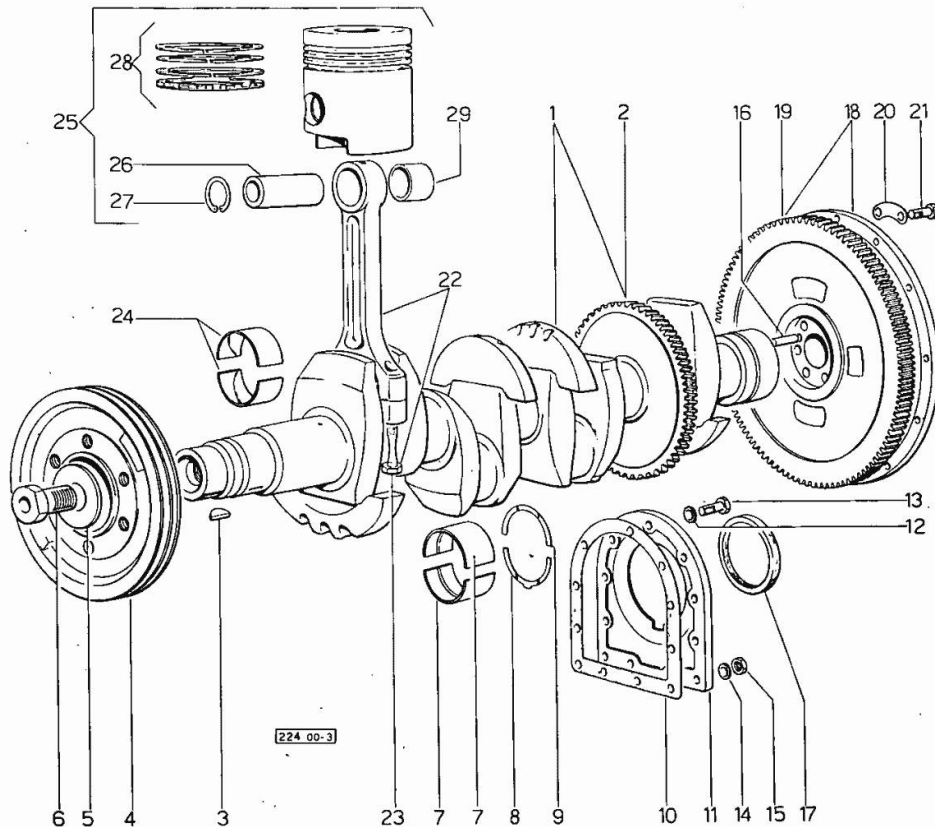


Fig.	P/n	QTY	Name
1	0.044.1267.3/20	1	crankshaft
1	0.044.1267.4/20	1	crankshaft
1	2.1630.611.0	1	roll pin 6 x 24
2	0.044.1265.0/10	1	gear
3	2.1799.002.0	1	stick 10x13
4	0.054.1250.0	1	pulley
5	0.001.6020.0	1	shoulder
6	2.0129.032.2	1	screw m 24 p.2x45
7	0.029.0066.0		main half bushing - mm 1.00
7	0.029.1215.0/10	10	main half bushing
7	0.029.1215.7		main half bushing - mm 0.25
7	0.029.1215.8		main half bushing - mm 0.50
7	0.029.1215.9		main half bushing - mm 0.75
8	0.001.4547.0		shoulder ring + mm 0.05
8	0.001.4548.0		shoulder ring + mm 0.10
8	0.001.4549.0		shoulder ring + mm 0.15
8	0.042.1219.0	2	shoulder ring STANDARD
9	0.001.4544.0		shoulder ring + mm 0.05
9	0.001.4545.0		shoulder ring + mm 0.10
9	0.001.4546.0		shoulder ring + mm 0.15
9	0.042.1218.0	2	shoulder ring STANDARD
10	0.029.1250.0	1	gasket
11	0.029.1240.0	1	flange
12	2.1474.010.1	7	spring washer 10
13	2.0112.309.2	7	screw m 10 p.1.5 x 25
14	2.1560.006.0	2	gasket 10.2 x 16
15	2.1011.421.2	2	nut m 10 p.1.25
16	2.1652.915.0	2	cylindrical plug 12x35
17	2.1519.009.0	1	special oil seal
18	0.039.1241.3	1	flywheel 11"
19	0.036.1242.0	1	crown wheel Z = 126, mm 15
20	2.1379.006.0	3	lock-tab 15x15x36,5
21	2.0122.515.7	6	screw
22	0.052.1220.3	4	engine connecting rod
23	0.039.1250.0	8	screw m 14 p.1.5x63
24	0.039.0068.0		con.rod half bushing - mm 1.016
24	0.039.1225.0	8	con.rod half bushing
24	0.039.1225.7		con.rod half bushing -mm 0.254
24	0.039.1225.8		con.rod half bushing -mm 0.508
24	0.039.1225.9		con.rod half bushing -mm 0.762
25	0.046.0060.6	4	complete piston
25	0.046.0061.6		complete piston + mm 0.5
25	0.046.0062.6		complete piston + mm 1.0
26	0.038.1236.0	4	piston pin

Thank you so much for reading.
Please click the “Buy Now!”
button below to download the
complete manual.



After you pay.

You can download the most
perfect and complete manual in
the world immediately.

Our support email:

ebooklibonline@outlook.com