

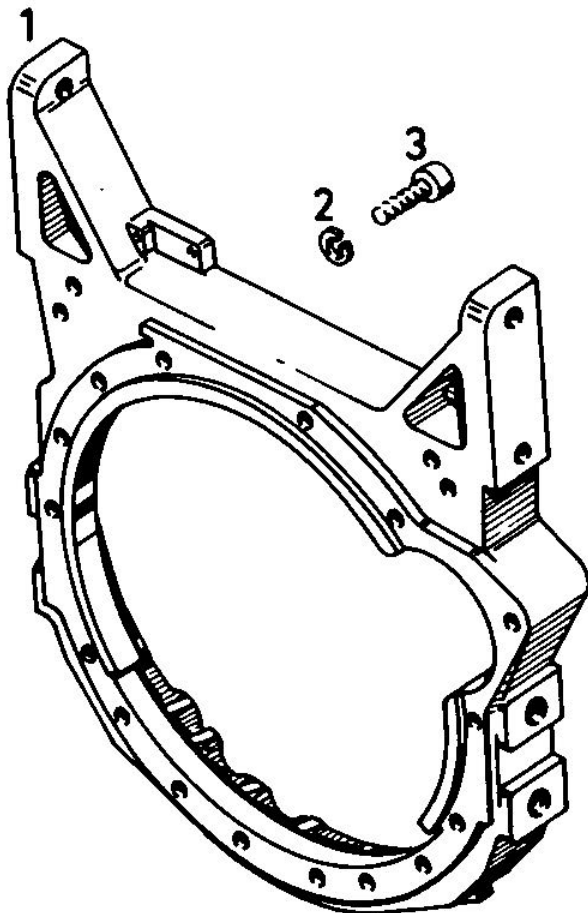
**CONNECTION HOUSING**

Fig.	P/n	QTY	Name
------	-----	-----	------

**Notes:**

[D 10006 Fg. - Nr.: 7927-1461 7928-0481]

1	02102321	1	flange
2	01119612	15	spring washer
3	01122361	15	screw m 10 x 35



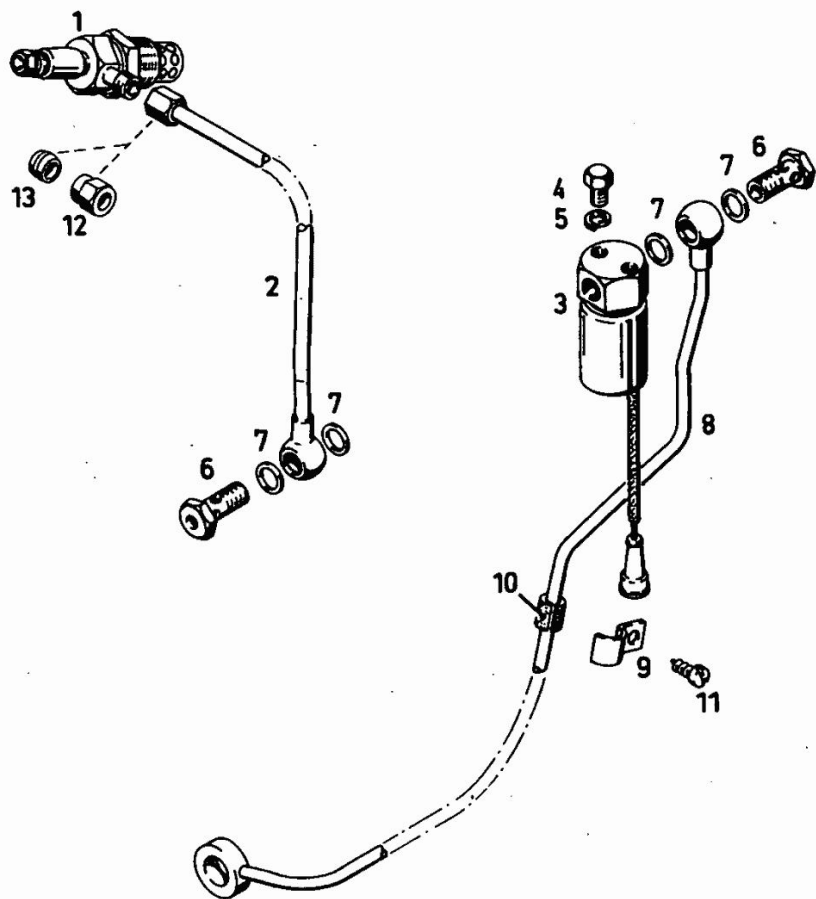
Section: ENGINE

**FLAMMGLÜHSTIFTKERZE**

Fig.	P/n	QTY	Name
------	-----	-----	------

**Notes:**

[D 10006 Fg. - Nr.: 7927-1461 7928-0481]



1	01161134	1	glow plug
2	02130293	1	tube
3	02232530	1	valve
4	01112232	2	screw m 6 p.1 x 10
5	01102797	2	washer 6, d128
6	01119237	2	pipe union
7	01118659	4	oil seal
8	02136954	1	tube
9	01121252	1	-
10	01210090	1	rubber sleeve
11	01119306	1	screw
12	01101019	1	nut
13	01116645	1	ring

Section: ENGINE

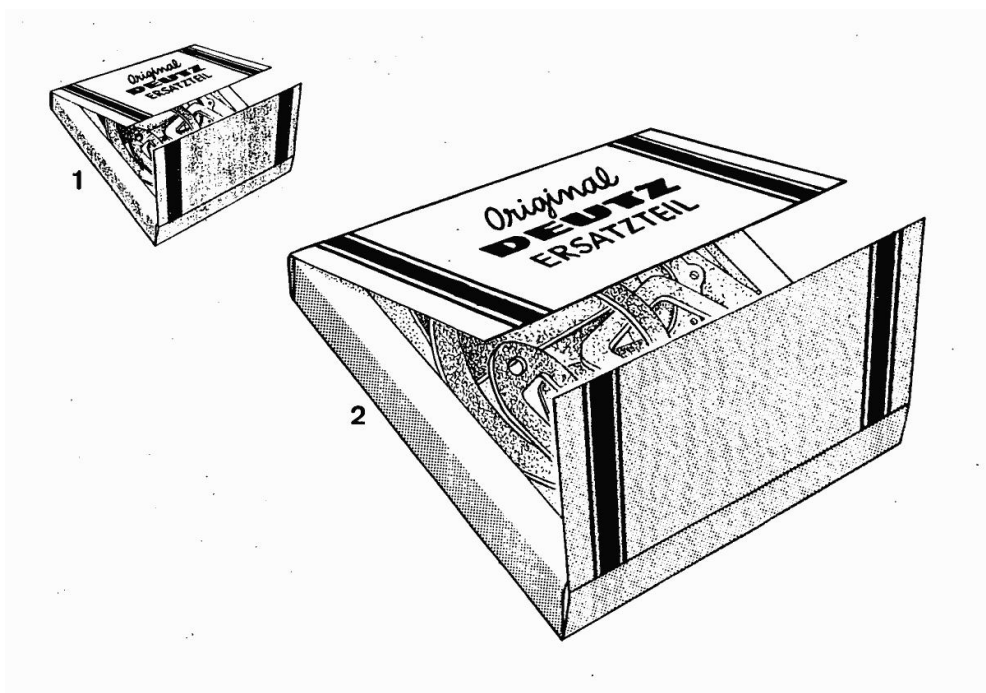
**GASKET SET**

Fig.	P/n	QTY	Name
------	-----	-----	------

**Notes:**

[D 10006 Fg. - Nr.: 7927-1461 7928-0481]

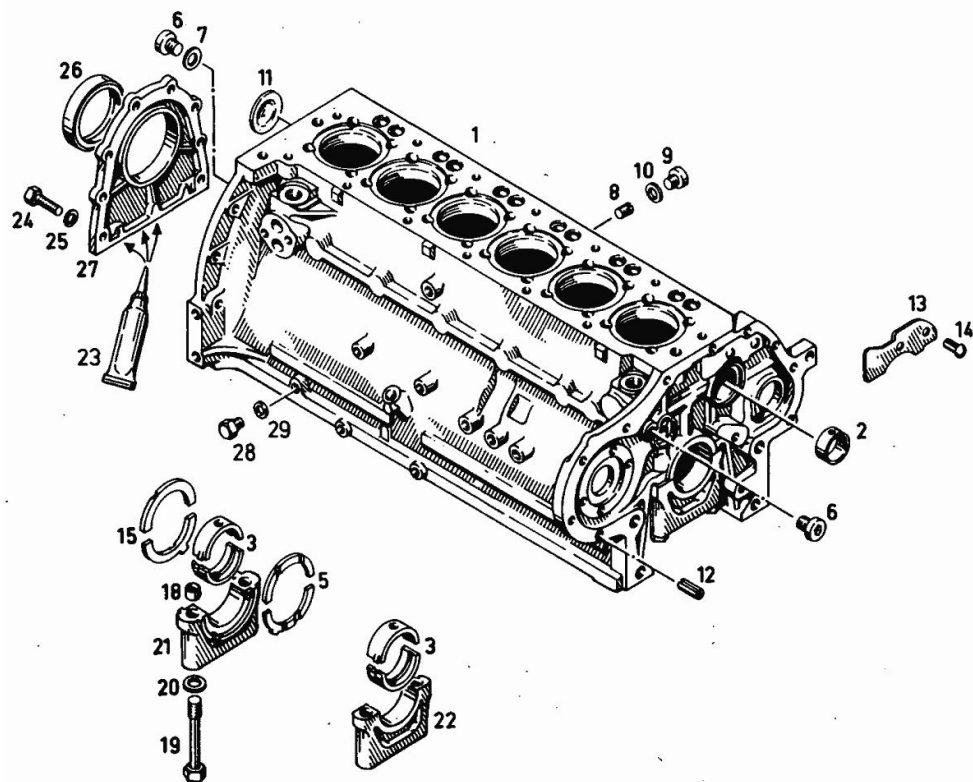
1	02910048	1	gasket set PER CYLINDER UNIT
2	02910184	1	gasket set



Section: ENGINE

**CRANK CASE**

Fig.	P/n	QTY	Name
<b>Notes:</b>			
[D 10006 Fg. - Nr.: 7927-1461 7928-0481]			
1	02138314	1	crankcase BEST. AUS BILD NR. 2,6 -14
2	02139737	1	bushing
3	03362379	7	bearing NORMAL 70,00MM RD (2,7559 IN.) UNTERMASST.POS.950 BIS 955
5	02230170	1	shim NORMAL 3,00MM (0,1181 IN.), UEBERMASST.POS. 960-963, BIS MOT.NR.5 139 422 EINB., 5 137 246 TRAKTOR, 5 173 294 ULM,S.POS.964-968
6	01214988	2	screw
7	01118707	2	ring 16
8	01215235	7	plug
9	01122350	7	plug
10	01118673	7	oil seal
11	01216240	1	disc
12	01167266	2	bush
13	02231082	1	plate
14	01115333	2	self tapping screw
15	02230181	1	shim NORMAL 3,00MM (0,1181 IN.), UEBERMASST.POS.956-959, BIS MOT.NR.5 139 422 EINB.,5 137 246 TRAKTOR, 5 173 294 ULM,S.POS.969-973
18	03362279	14	bushing
19	01136990	14	screw
20	01216107	14	washer 15x23x1,5
21	02138184	1	cover
22	02138185	6	cover
23	01007910	1	compound 1 kg
24	01112322	8	screw m 8 p.1.25 x 20
25	01102799	8	washer 8, d128
26	02234134	1	oil seal
27	02234786	1	cover
28	01118998	1	screw
29	01118659	1	oil seal
950	03362380	7	bearing 1.UNTERMASST.69,75 MM RD (2,7459 IN.)
951	03362381	7	bearing 2.UNTERMASST.69,50 MM RD (2,7362 IN.)
952	03362382	7	bearing



Section: ENGINE

## CRANK CASE

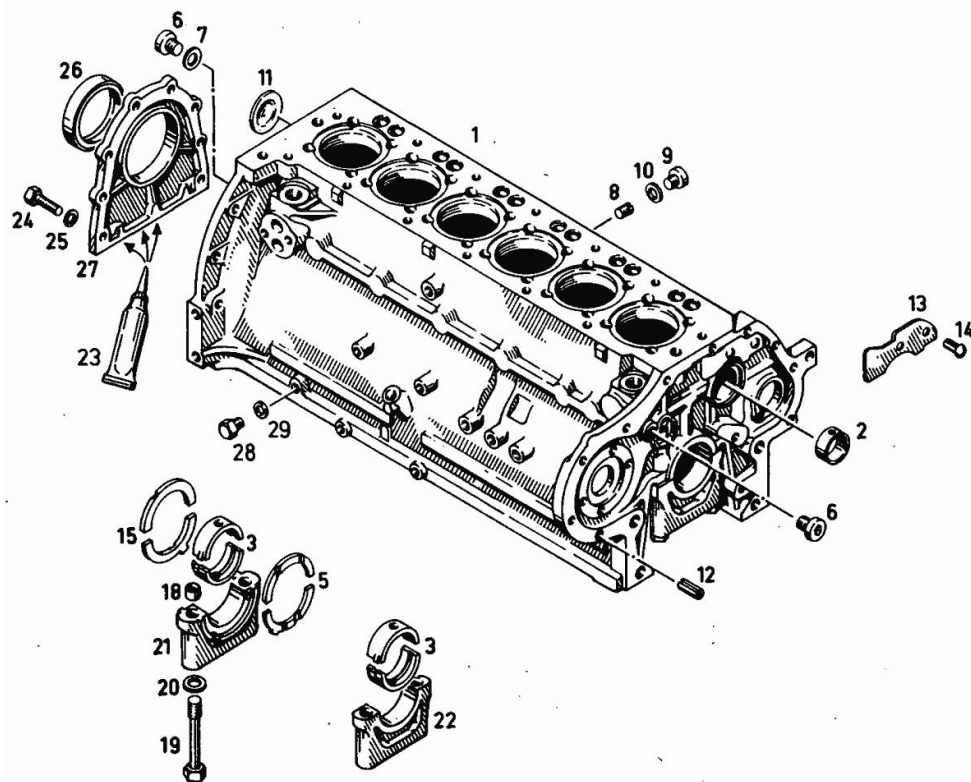


Fig.	P/n	QTY	Name
953	03362383	7	3.UNTERMASST. 69,25 MM RD (2,7263 IN.) bearing
954	03362384	7	4.UNTERMASST.69,00MM RD (2,7165 IN.) bearing
955	03362385	7	5.UNTERMASST.68,75MM RD (2,7066 IN.) bearing
956	02230182	1	6,UNTERMASST.68,50MM RD (2,6968 IN.) shim
957	02230183	1	1.UEBERMASST.3,25 MM (0,1279 IN.) shim
958	02230184	1	2.UEBERMASST.3,50 MM (0,1378 IN.) shim
959	02230185	1	3.UEBERMASST.3,75 MM (0,1476 IN.) shim
960	02230172	1	4,UEBERMASST.4,00 MM (0,1575 IN.) shim
961	02230173	1	1,UEBERMASST. 3,25 MM (0,1279 IN.) shim
962	02230174	1	2,UEBERMASST.3,50 MM (0,1378 IN.) shim
963	02230175	1	3,UEBERMASST.3,75 MM (0,1476 IN.) shim
964	02230164	1	4,UEBERMASST.4,00 MM (0,1575 IN.) shim
965	02230166	1	NORMAL 3.00MM (0,1181 IN.) shim
966	02230167	1	1.UEBERMASST. 3.25MM (0,1279 IN.) shim
967	02230168	1	2.UEBERMASST. 3.50MM (0,1378 IN.) shim
968	02230169	1	3.UEBERMASST. 3.75MM (0,1476 IN.) shim
969	02230176	1	4.UEBERMASST. 4.00MM (0,1575 IN.) shim
970	02230177	1	NORMAL 3.00MM (0,1181 IN.) shim
971	02230178	1	1.UEBERMASST. 3.25MM (0,1279 IN.) shim
972	02230179	1	2.UEBERMASST. 3.50MM (0,1378 IN.) shim
973	02230180	1	3.UEBERMASST. 3.75MM (0,1476 IN.) shim
			4.UEBERMASST. 4.00MM (0,1575 IN.) shim

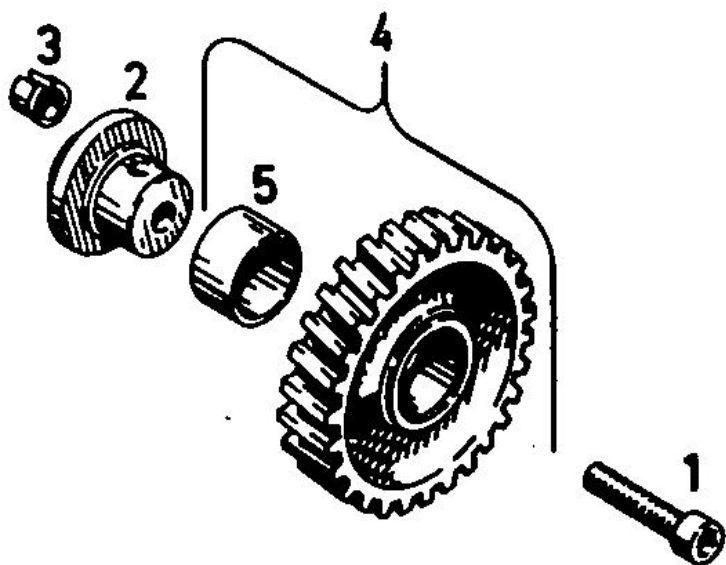
**IDLER BEARING**

Fig.	P/n	QTY	Name
------	-----	-----	------

**Notes:**

[D 10006 Fg. - Nr.: 7927-1461 7928-0481]

1	01110688	1	screw
2	02234172	1	pin
3	02101007	1	bushing
4	03362541	1	gear
5	03362538	1	bushing



Section: ENGINE

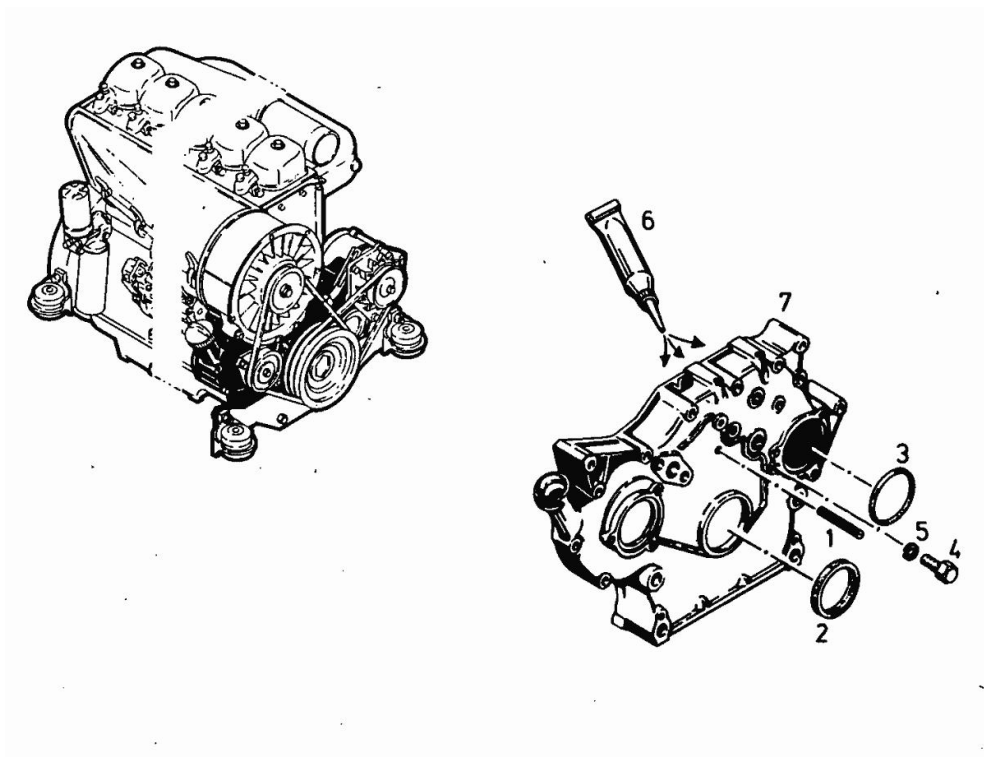
**VORDERER DECKEL**

Fig.	P/n	QTY	Name
------	-----	-----	------

**Notes:**

[D 10006 Fg. - Nr.: 7927-1461 7928-0481]

1	01115459	1	pin
2	02234133	1	oil seal
3	01166110	1	ring
4	01112295	1	screw m 8 x 10
5	01102799	1	washer 8, d128
6	01007910	1	compound 1 kg
7	02235812	1	cover



Section: ENGINE

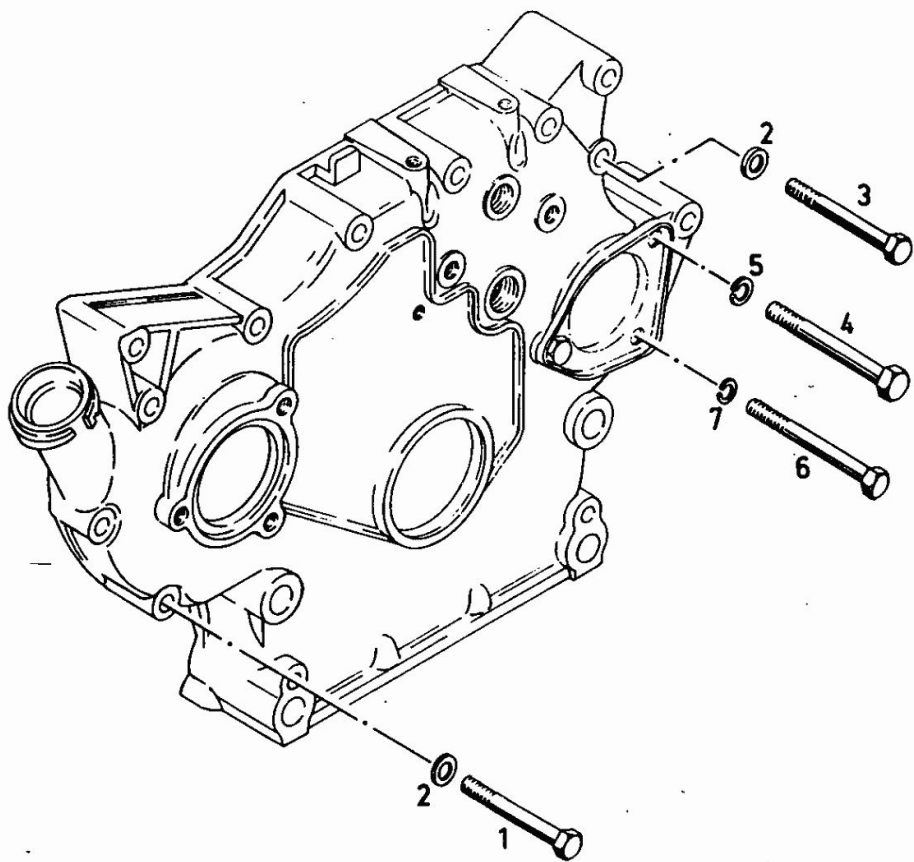
**FASTENINGS**

Fig.	P/n	QTY	Name
------	-----	-----	------

**Notes:**

[D 10006 Fg. - Nr.: 7927-1461 7928-0481]

1	01111166	1	screw
2	01107101	3	washer 8.4
3	01111179	2	screw m 8 x 70, d931
4	01111334	1	screw
5	01102800	1	washer 10.2
6	01111195	1	screw
7	01102799	1	washer 8, d128





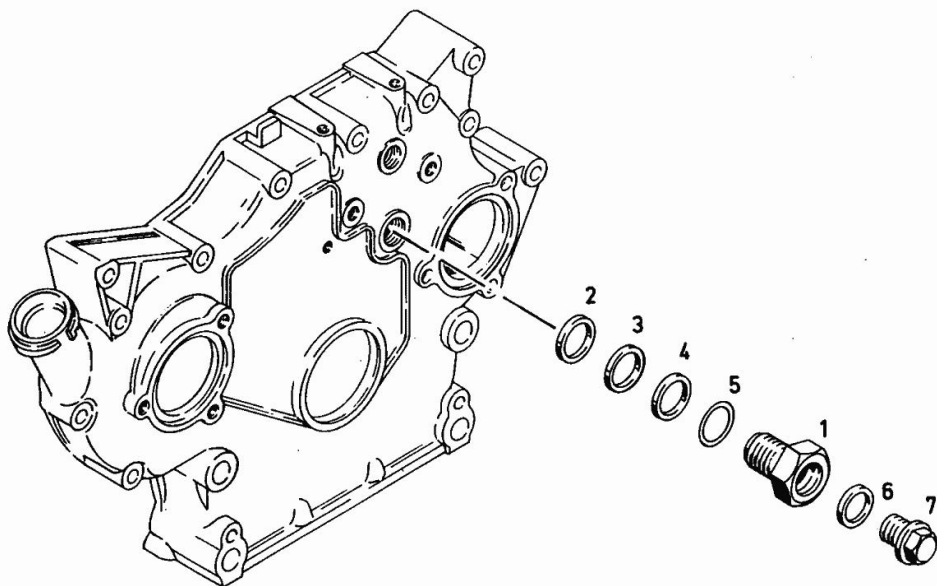
**VERSCHLUß FÜR NOCKENWELLENANTRIEB**

Fig.	P/n	QTY	Name
------	-----	-----	------

**Notes:**

5 650 585&lt;= [D 10006 Fg. - Nr.: 7927-1461 7928-0481]

1	03362510	1	-
2	01118750	1	oil seal
3	03362293	1	washer
4	03362294	1	washer
5	03362295	1	washer
6	01118713	1	washer 18.5
7	01118970	1	plug m 18 p.1.5



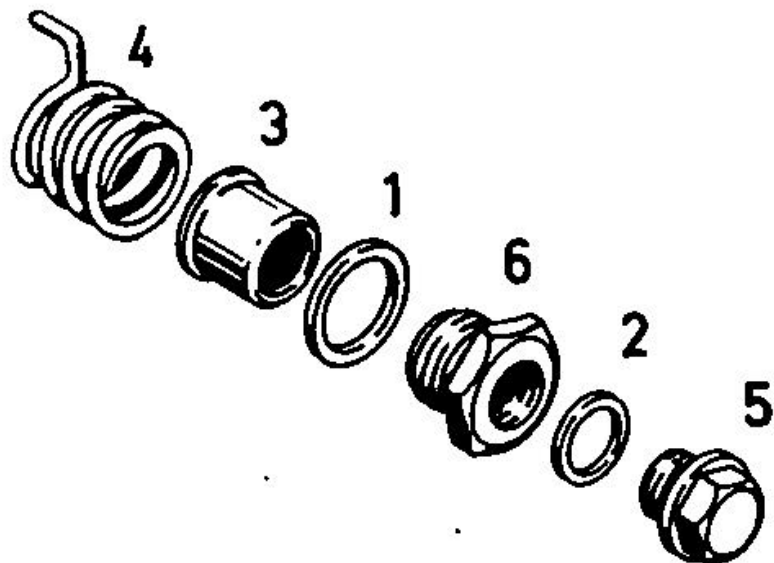
**BLANKING PARTS**

Fig.	P/n	QTY	Name
------	-----	-----	------

**Notes:**

=&gt;5 650 586 [D 10006 Fg. - Nr.: 7927-1461 7928-0481]

1	01118750	1	oil seal
2	01118713	1	washer 18.5
3	02135019	1	tube
4	02237638	1	spring
5	01118970	1	plug m 18 p.1.5
6	02135685	1	screw



Thank you so much for reading.  
Please click the “Buy Now!”  
button below to download the  
complete manual.



After you pay.

You can download the most  
perfect and complete manual in  
the world immediately.

Our support email:

[ebooklibonline@outlook.com](mailto:ebooklibonline@outlook.com)