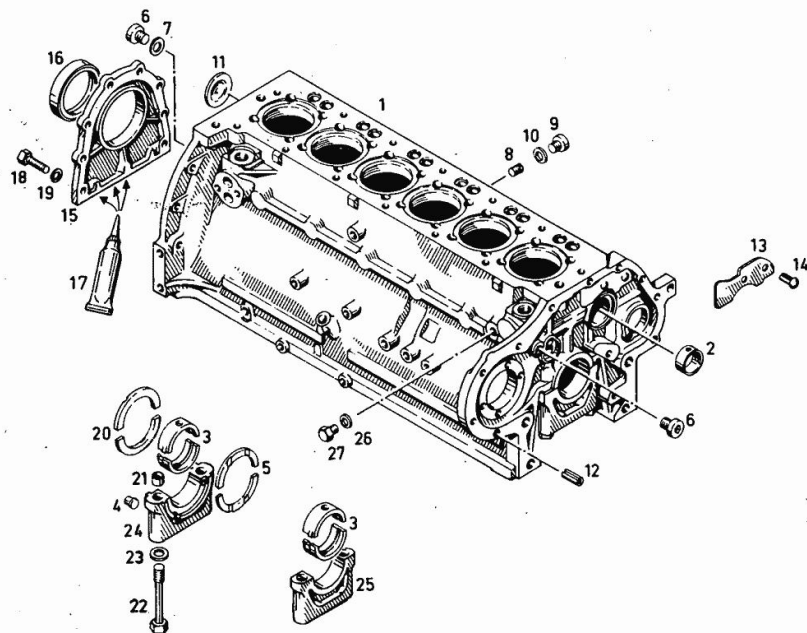


Section: ENGINE

KUBELGEHÄUSE OBERTEL

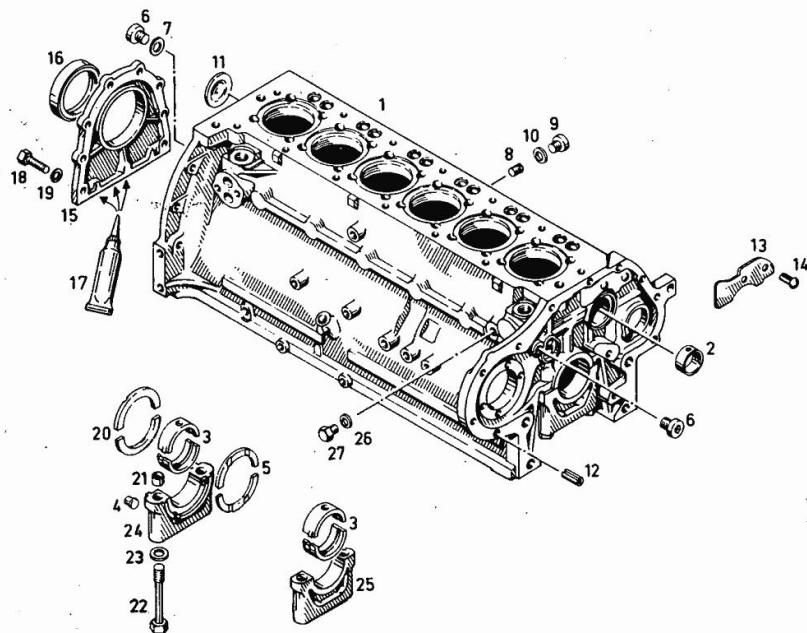
Fig.	P/n	QTY	Name
Notes:			
- FOR "HIGH VISIBILITY" CAB [D 13006 Fg. - Nr.: 7937-0001 7938-0001]			
1	02139864	1	-
2	02139737	1	bushing
3	02230590	7	bearing NORMAL 73,00 MM RD (2,8748 IN. UNTERMASST.POS. 950-955
4	03362448	2	pin
5	02230191	1	shim NORMAL 3,00 MM (0,1181 IN. UEBERMASST. POS. 960 - 963
6	01214988	2	screw
7	1118707	1	-
8	01215235	7	plug
9	01122350	7	plug
10	01118673	7	oil seal
11	01216240	1	disc
12	01167264	2	tensioner
13	02231082	1	plate
14	01115333	2	self tapping screw
15	02234784	1	guard
16	02234134	1	oil seal
17	01007910	1	compound 1 kg
18	01112322	8	screw m 8 p.1.25 x 20
19	01102799	8	washer 8, d128
20	02230186	1	shim NORMAL 3,00 MM (0,1181 IN.) UEBERMASST. POS. 956 - 959
21	03362279	14	bushing
22	02233313	14	screw
23	01216107	14	washer 15x23x1,5
24	02138186	1	cover
25	02138187	6	cover
26	01118659	2	oil seal
27	01118998	2	screw
950	02230602	7	bearing 1.UNTERMASST.72,75 MM RD (2,8642 IN.)
951	02230603	7	bearing 2.UNTERMASST. 72,50 MM RD (2.8543 IN.)
952	02230604	7	bearing 3.UNTERMASST. 72,25 MM RD (2.8445 IN.)
953	02230605	7	bearing



Section: ENGINE

KUBELGEHÄUSE OBERTEL

Fig.	P/n	QTY	Name
954	02230606	7	4.UNTERMASST. 72,00 MM RD (2.8347 IN.) -
955	02230607	7	5.UNTERMASST. 71,75 MM RD (2.8248 IN.) -
956	02230187	1	6.UNTERMASST. 71,50 MM RD (2.8150 IN.) shim
957	02230188	1	1.UEBERMASST. 3,25 MM (0,1279 IN.) shim
958	02230189	1	2.UEBERMASST. 3,50 MM (0,1378 IN.) shim
959	02230190	1	3.UEBERMASST. 3,75 MM (0,1476 IN.) shim
960	02230192	1	4.UEBERMASST. 4,00 MM (0,1575 IN.) shim
961	02230193	1	1.UEBERMASST. 3,25 MM (0,1279 IN.) shim
962	02230194	1	2.UEBERMASST. 3,50 MM (0,1278 IN.) -
963	02230195	1	3.UEBERMASST. 3,75 MM (0,1476 IN.) shim 4.UEBERMASST. 4,00 MM (0,1575 IN.)



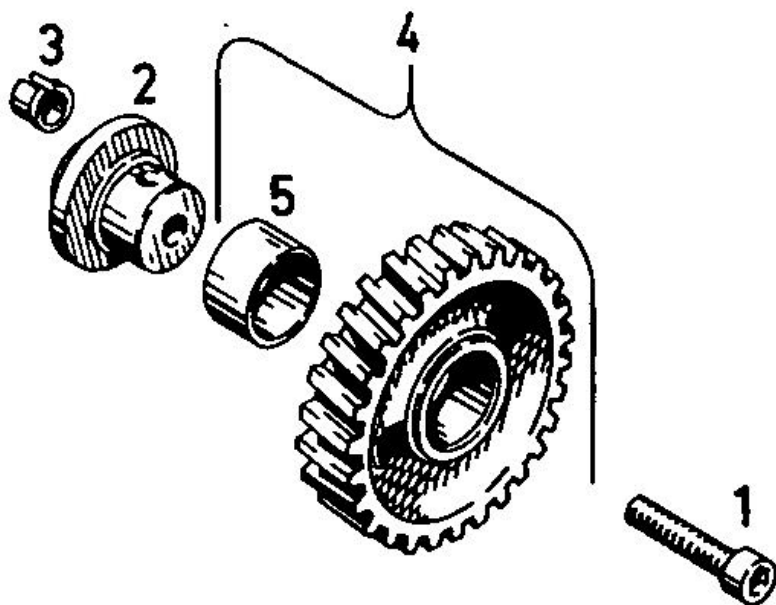
ZWISCHENRADIAGERUNG

Fig.	P/n	QTY	Name
------	-----	-----	------

Notes:

[D 13006 Fg. - Nr.: 7937-0001 7938-0001]

1	01110688	1	screw
2	02234172	1	pin
3	02101007	1	bushing
4	03362541	1	gear
5	03362538	1	bushing



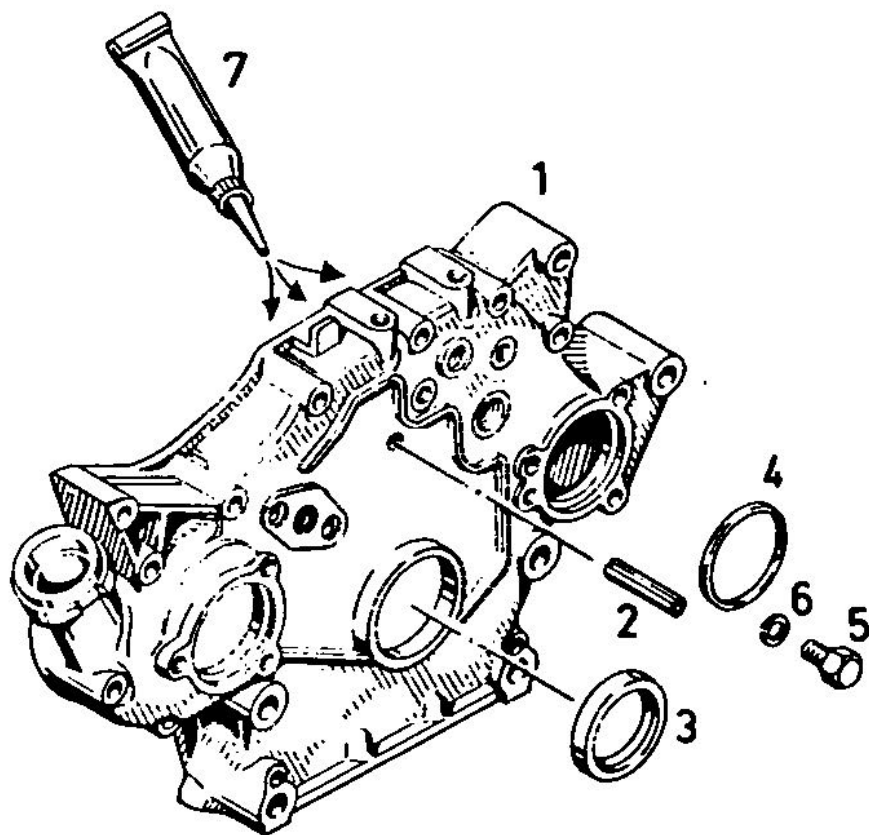
VORDERER DECKEL

Fig.	P/n	QTY	Name
------	-----	-----	------

Notes:

[D 13006 Fg. - Nr.: 7937-0001 7938-0001]

1	02235813	1	cover
2	01115459	1	pin
3	02234133	1	oil seal
4	01166110	1	ring
5	01112295	1	screw m 8 x 10
6	01102799	1	washer 8, d128
7	01007910	1	compound 1 kg 100 GR



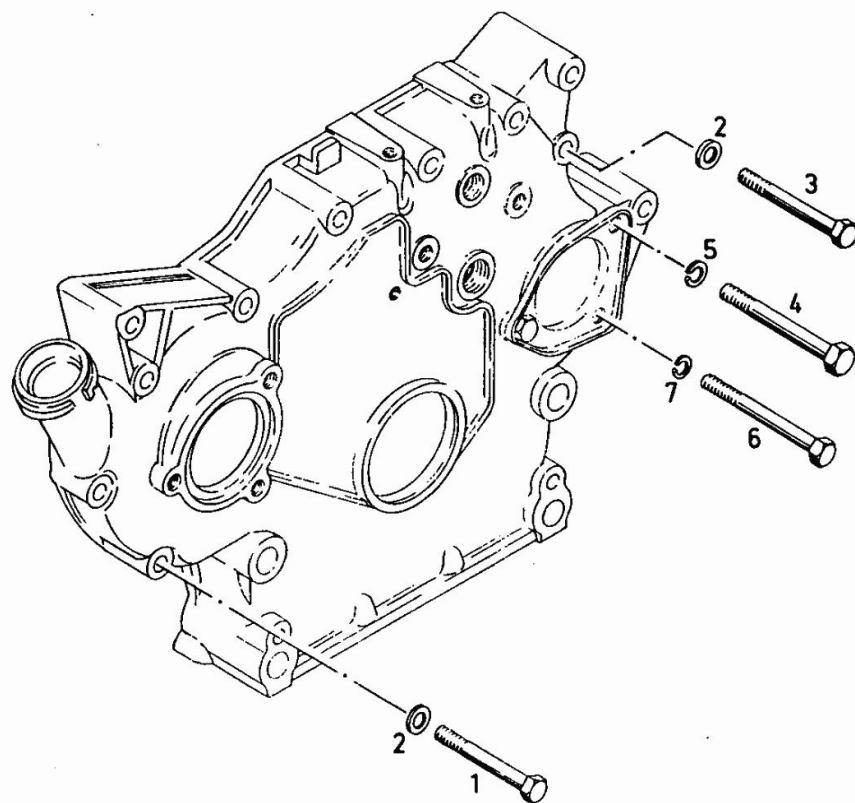
BELESTINGUNGSTELLE

Fig.	P/n	QTY	Name
------	-----	-----	------

Notes:

[D 13006 Fg. - Nr.: 7937-0001 7938-0001]

1	01111166	1	screw
2	01107101	1	washer 8.4
3	01111179	2	-
4	01111334	1	screw
5	01102800	1	washer 10.2
6	01111195	1	screw
7	01102799	1	washer 8, d128

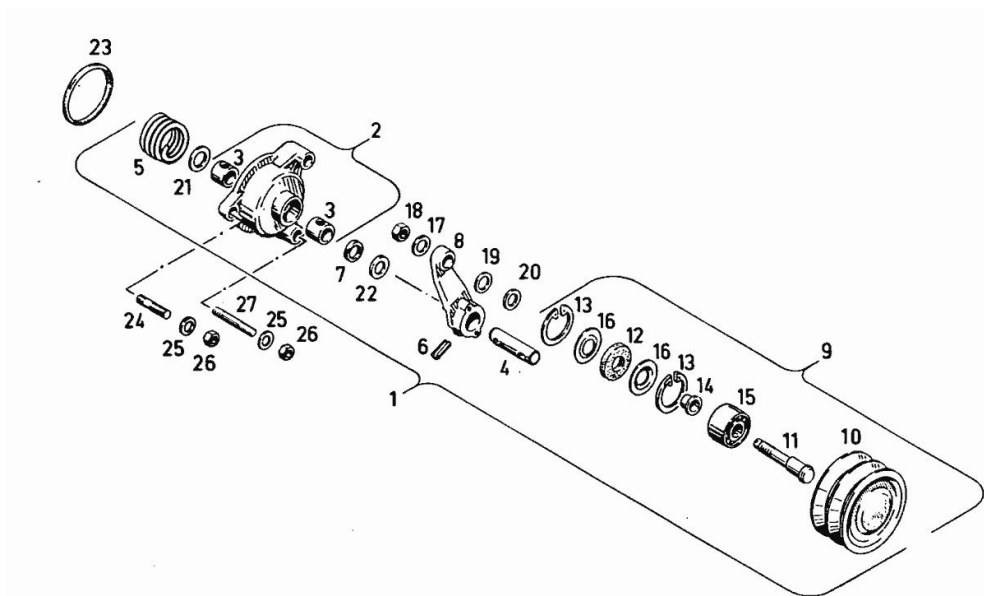


COVER WITH TENSION ROLLER

Fig.	P/n	QTY	Name
------	-----	-----	------

Notes:

[D 13006 Fg. - Nr.: 7937-0001 7938-0001]



1	02234580	1	pulley
2	02234587	1	cover
3	02230851	2	bushing
4	02133774	1	shaft
5	02234345	1	spring
6	01115470	1	pin
7	01161885	1	oil seal
8	02136086	1	lever
9	02237959	1	pulley
10	02136229	1	pulley
11	02232771	1	bolt
12	03362420	1	oil seal
13	01107818	2	ring
14	02232772	1	bushing
15	01171646	1	ball bearing
16	03368393	2	ring
17	01107103	1	washer 10,5 din 125
18	01102659	1	nut m 10, d934
19	03470893	1	washer
20	01216123	1	washer
21	02134829	1	-
22	02136435	1	ring
23	01166110	1	ring
24	01110180	1	small column
25	01107101	3	washer 8.4
26	01112824	3	nut m 8, d934
27	01103552	2	screw

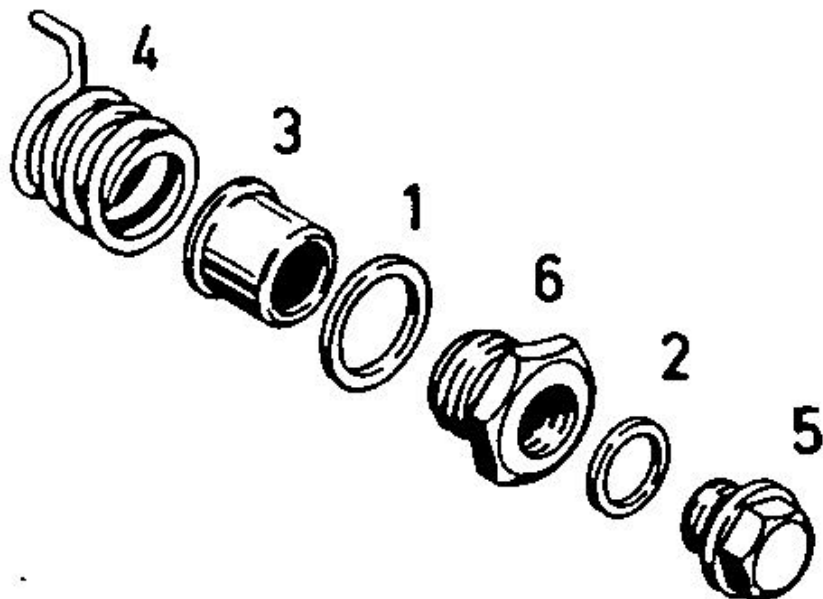
VERSCHTUBTEILE

Fig.	P/n	QTY	Name
------	-----	-----	------

Notes:

[D 13006 Fg. - Nr.: 7937-0001 7938-0001]

1	01118750	1	oil seal
2	01118713	1	washer 18.5
3	02135019	1	tube
4	02237638	1	spring
5	01118970	1	plug m 18 p.1.5
6	02230937	1	screw



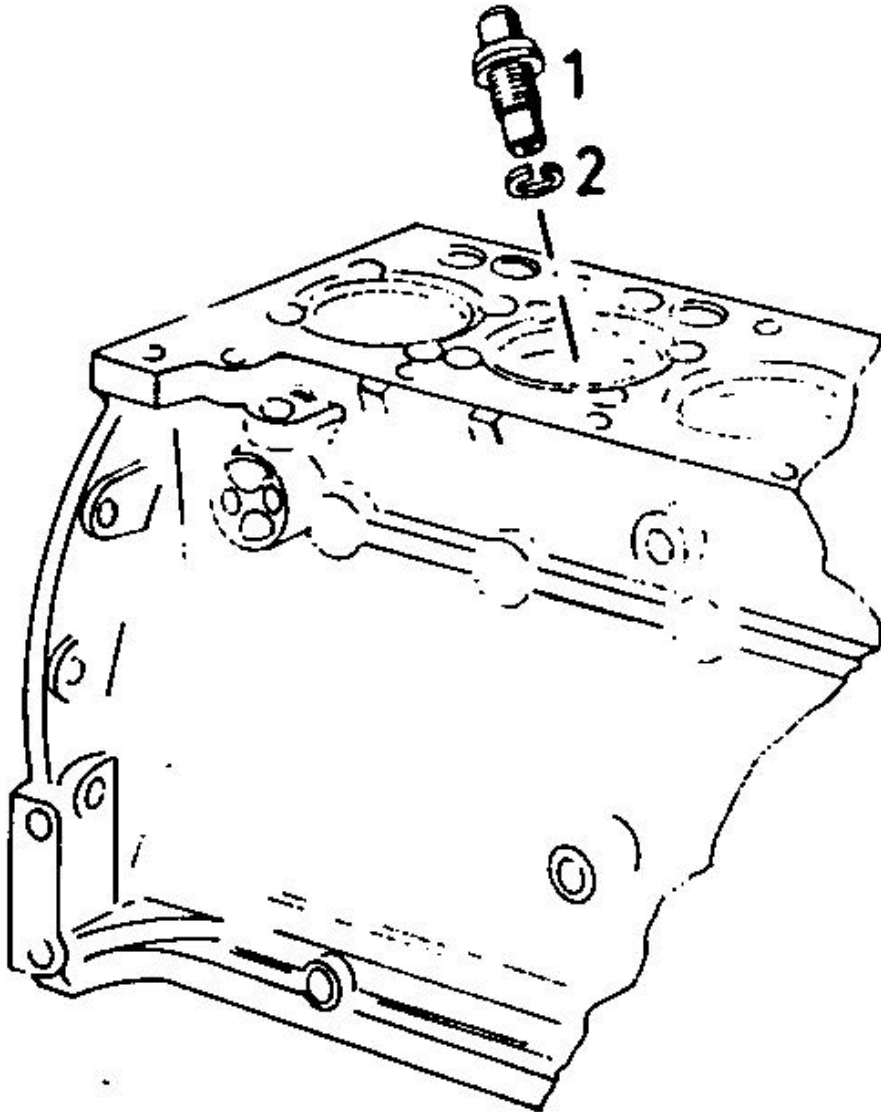
NOZZLE

Fig.	P/n	QTY	Name
------	-----	-----	------

Notes:

[D 13006 Fg. - Nr.: 7937-0001 7938-0001]

1	02134268	1	nozzle
2	01119611	1	ring



Section: ENGINE

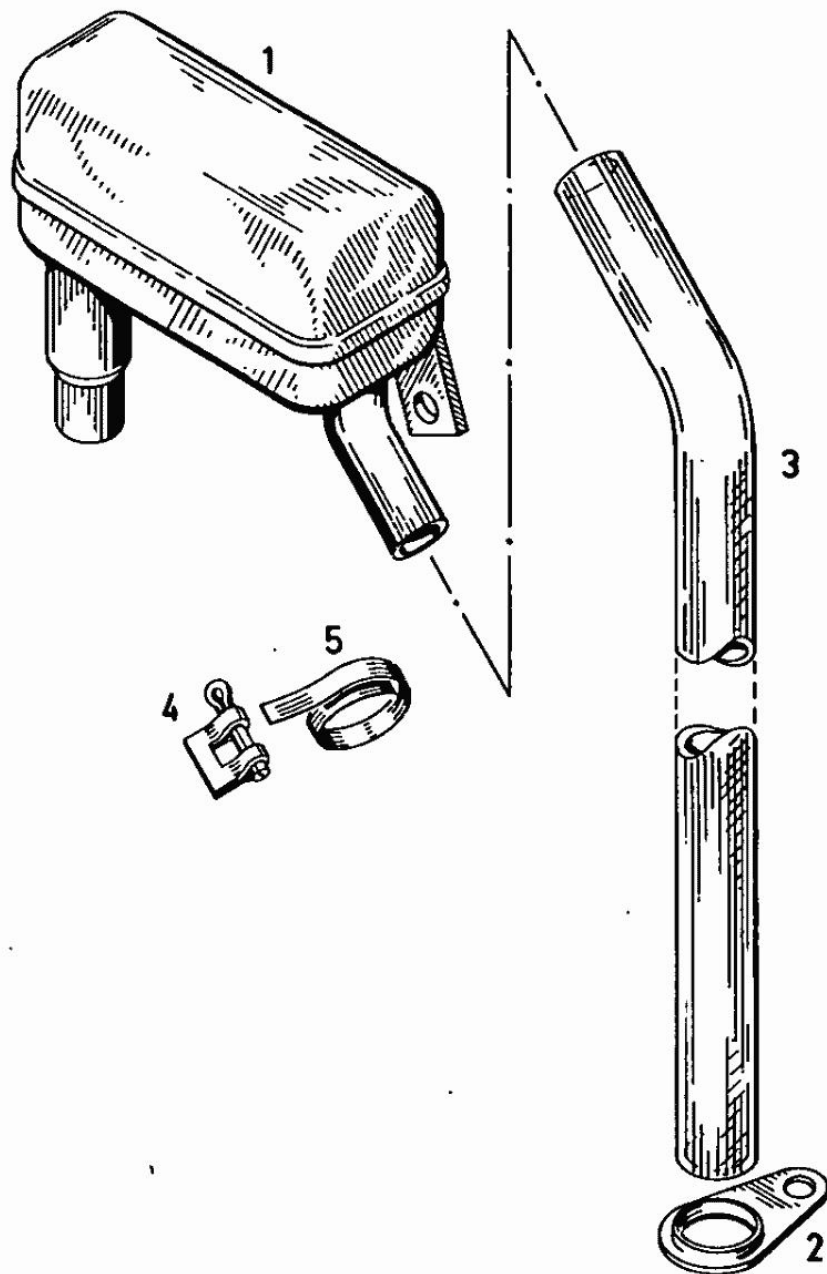
BREATHER

Fig.	P/n	QTY	Name
------	-----	-----	------

Notes:

[D 13006 Fg. - Nr.: 7937-0001 7938-0001]

1	02238156	1	breather
2	02138266	1	fan
3	01400708	1	flexible hose 19x27x450
4	01166343	1	clamp
5	01166345	1	band



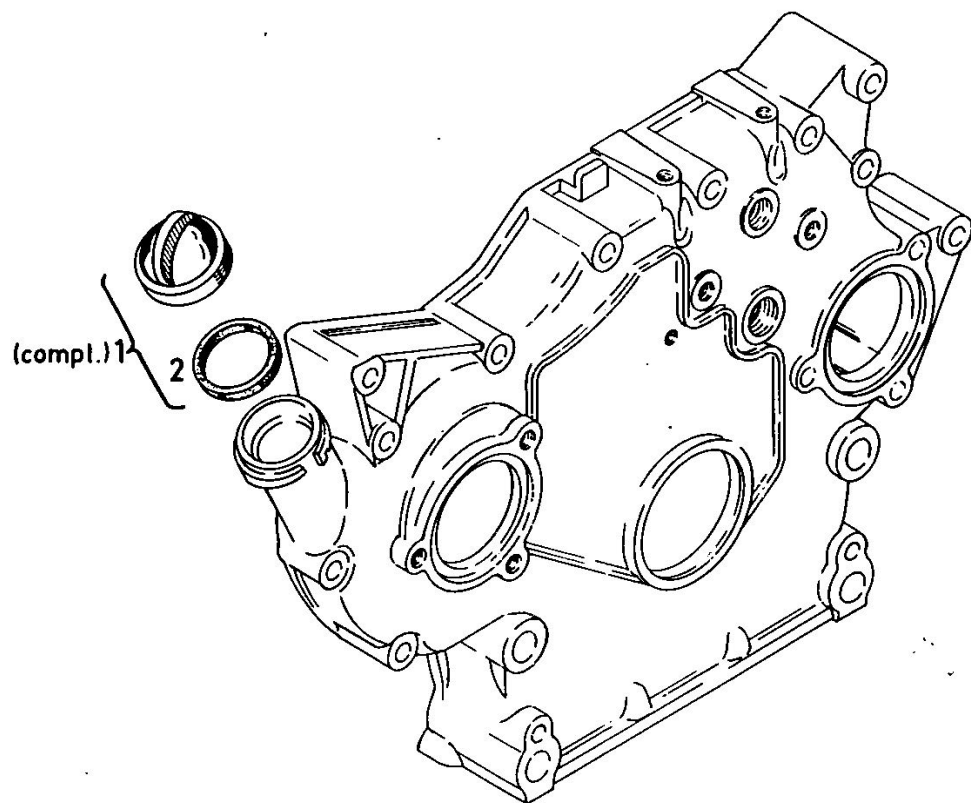
ÖLEINFÜLLVERSCHLUB

Fig.	P/n	QTY	Name
------	-----	-----	------

Notes:

[D 13006 Fg. - Nr.: 7937-0001 7938-0001]

1	01236291	1	plug
2	01236290	1	oil seal



Section: ENGINE

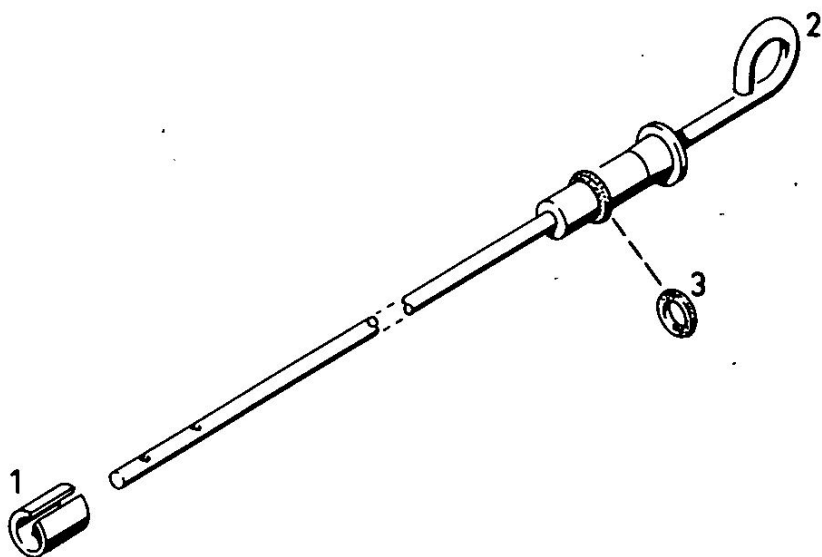
ÖLMEBSTAB

Fig.	P/n	QTY	Name
------	-----	-----	------

Notes:

[D 13006 Fg. - Nr.: 7937-0001 7938-0001]

1	01167269	1	bush
2	02165636	1	dipstick MIT BILD NR.3
3	01165975	1	oil seal 5x2



Thank you so much for reading.
Please click the “Buy Now!”
button below to download the
complete manual.



After you pay.

You can download the most
perfect and complete manual in
the world immediately.

Our support email:

ebooklibonline@outlook.com