

LOCK

Fig.	P/n	QTY	Name
------	-----	-----	------

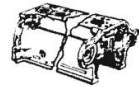
Notes:

[D07C 4807]

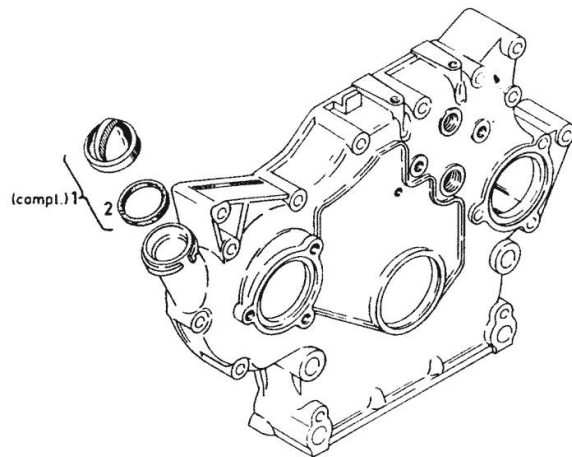
1	01236291	1	plug
2	01236290	1	oil seal



Oleinfüllverschluß
Oil filter cap
Couvercle de cheminée de remplissage d'huile
Tapon de llenado de aceite



0150-01-500 3320



Section: ENGINE

TUNNEL COVER

Fig.	P/n	QTY	Name
------	-----	-----	------

Notes:
[D07C 4807]

1	03362504	1	cover 0150-01-54.05
---	----------	---	------------------------



Section: ENGINE

COVER

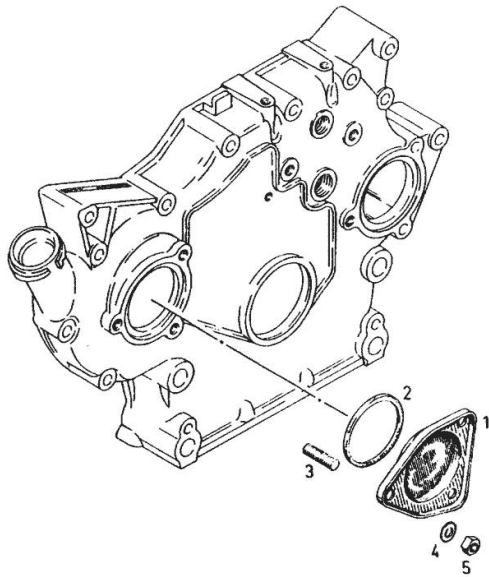
Fig.	P/n	QTY	Name
Notes:			
[D07C 4807]			
1	04152404	1	cover
2	01166110	1	ring H 002927- 80 X 3 -NBR-1-60
3	01178540	3	screw H 002091- 835-M 8 X 16- 8.8-A 4C-MK-1,5D-BL
4	01216143	3	ring
5	01112824	3	nut m 8, d934 ISO 004032-M 8 - 8-A4C



Verschlußdeckel für Spritzversteller
Cover for advance/retard unit
Couvercle pour avance automatique
Tapa de cierre para graduador de avance de inyección



0150-01-500 3331



Section: ENGINE
BLEEDING TUBE

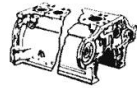
Fig.	P/n	QTY	Name
------	-----	-----	------

Notes:
 [D07C 4807]

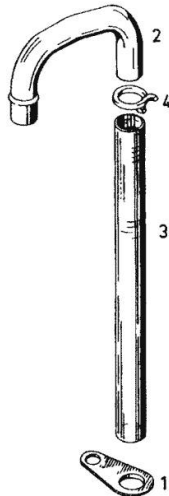
1	02101292	1	fan FOR MOTORS WITH HYDRAULIC PUMP
2	02101937	1	tube
3	01388826		flexible hose H 007761-A25 X31 400 MM LG
4	01163942	1	clamp H 000735-SK 34



Entlüftung
 Breather
 Event
 Ventilación



0150-01-500 3333



Section: ENGINE

DIPSTICK

Fig.	P/n	QTY	Name
------	-----	-----	------

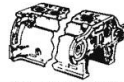
Notes:

[D07C 4807]

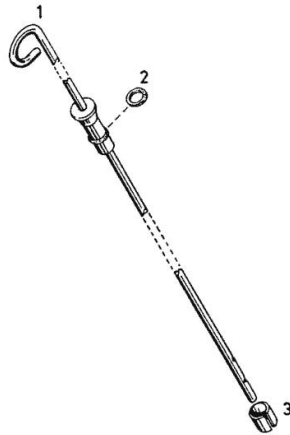
1	01176382	1	dipstick H 003535-AV - 254- 201X 38- 3 8 WITH BOX N°2 OELSUMPF MITTIG
2	01174311	1	oil seal H 002927- 4,3 X 2,4 -FPM-1-70



Ölmeßstab
Oil dipstick
Jauge de niveau d'huile
Varilla de sondeo para nivel de aceite



0150-01-500 4439



Section: ENGINE

FRONT COVER

Fig.	P/n	QTY	Name
------	-----	-----	------

Notes:

[D07C 4807]

1	04158412	1	cover
2	01115459	1	pin ISO 008752- 6 X 45
3	04154144	1	special oil seal
4	01166111	1	oil seal H 002927- 80 X 3 -MVQ-1-50
5	01102396	1	screw ISO 004017-M 8 X 8 - 8.8-A4C
7	01016120	1	compound 1 kg H 000699-DEUTZ DW 47- 310 ML

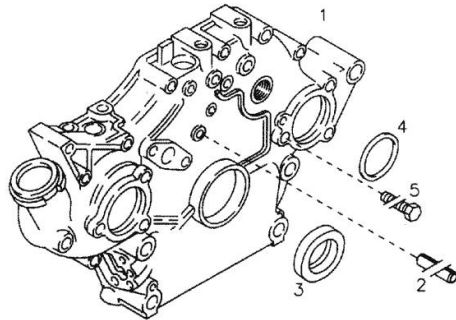


Vorderer Deckel
Front cover
Couvercle avant
Tapa delantera

Referenznr.:

0150 -01- 0500 4555

001



Section: ENGINE

INTERMEDIATE GEAR BEARING

Fig.	P/n	QTY	Name
------	-----	-----	------

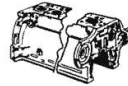
Notes:

[D07C 4807]

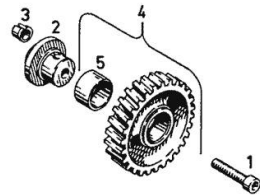
1	01110688	1	screw DIN 000912- M10 X 60 -10.9-A4 C
2	02234172	1	pin
3	02101007	1	bushing
4	03362541	1	gear
5	03362538	1	bushing



Zwischenradlagerung
Idler gear bearing
Tourillon de pignon intermédiaire
Soporte para rueda intermedia

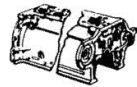


0150-01-500 6503

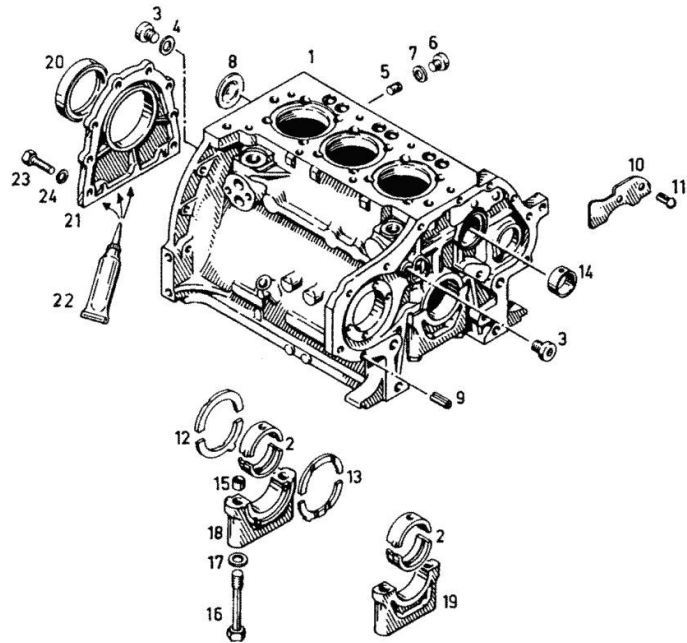




Kurbelgehäuse
Crankcase
Carter
Carter



0150-01-500 6748



D07C 4807

Ref: 11.01.20000

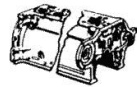
Section: ENGINE

GEARBOX

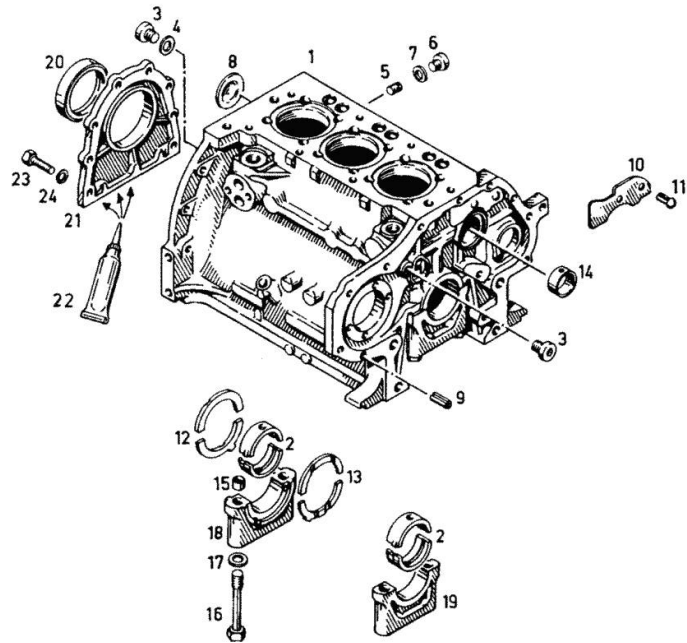
Fig.	P/n	QTY	Name
Notes: [D07C 4807]			
1	02230526	1	crankcase BEST. AUS BILD NR.3 BIS 11 14 BIS 19
2	03362379	4	bearing
4	01118707	2	ring 16 DIN 007603-A 16 X 22 -CU
5	01215235	4	plug
6	01122350	3	plug DIN 000908-M12X1,5-ST-OELGESC HW
7	01118673	3	oil seal DIN 007603-A 12 X 15,5-CU
8	01216240	1	disc
9	01167266	2	bush H 002341-B11X16
10	02231082	1	plate
11	01115333	2	self tapping screw ISO 008746- 6 X10-ST -A4C
12	02230181	1	shim NORMAL 3.00 MM (0.1181 IN.) OVERSIZE STEP ITEM. 956-959 UP TO ENG. NO. 5 162 175 EINB., 5 160 389 TRAKTOR, S.POS.964-968
13	02230170	1	shim NORMAL 3.00 MM (0.1181 IN.) OVERSIZE STEP ITEM. 960-963 UP TO ENG. NO. 5 162 175 EINB., 5 160 389 TRAKTOR, S.POS.969-973
14	02139737	1	bushing
15	03362279	8	bushing
16	01136990	8	screw DIN 000931-BM14 X110 - 10.9
17	01216107	8	washer 15x23x1,5 H 002308-15 X23X1,5
20	02234134	1	oil seal
21	02234786	1	cover
22	01016120	1	compound 1 kg H 000699-DEUTZ DW 47- 310 ML
23	01112322	8	screw m 8 p.l.25 x 20



Kurbelgehäuse
Crankcase
Carter
Carter



0150-01-500 6748



D07C 4807

Section: ENGINE

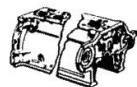
Ref: 11.01.20000

GEARBOX

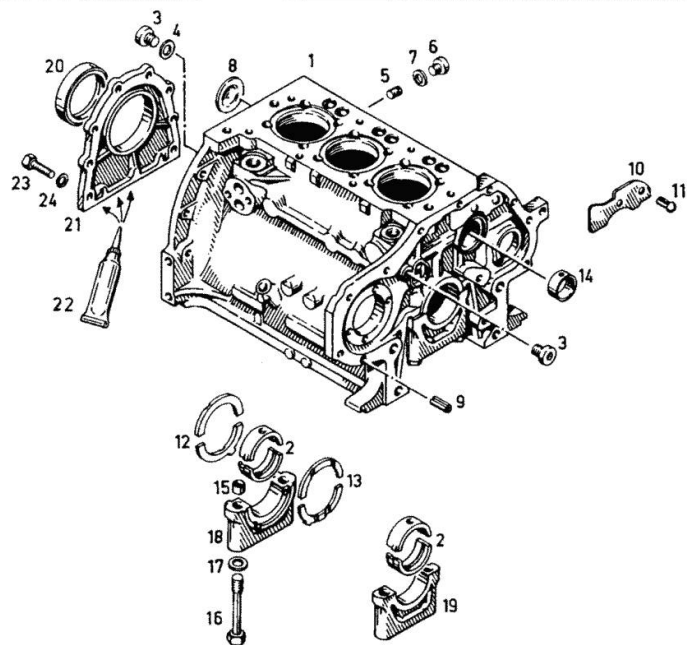
Fig.	P/n	QTY	Name
24	01102799	8	ISO 004017-M 8 X 20 - 8.8-A4C washer 8, d128
950	03362380	4	DIN 000128-A 8 -FST -A4C bearing 1. UNDERSIZE STEP 69.75 MM RD. (2.7459 IN)
951	03362381	4	bearing 2. UNDERSIZE STEP 69.50 MM RD. (2.7362 IN)
952	03362382	4	bearing 3. UNDERSIZE STEP 69.25 MM RD. (2.7263 IN)
953	03362383	4	bearing 4. UNDERSIZE STEP 69.00 MM RD. (2.7165 IN)
954	03362384	4	bearing 5. UNDERSIZE STEP 68.75 MM RD. (2.7066 IN)
955	03362385	4	bearing 6. UNDERSIZE STEP 68.50 MM RD. (2.6968 IN)
956	02230182	1	shim 1. OVERSIZE 3.25 MM (0.1279 IN)
957	02230183	1	shim 2. OVERSIZE 3.50 MM (0.1378 IN)
958	02230184	1	shim 3. OVERSIZE 3.75 MM (0.1476 IN)
959	02230185	1	shim 4. OVERSIZE 4.00 MM (0.1575 IN)
960	02230172	1	shim 1. OVERSIZE 3.25 MM (0.1279 IN)
961	02230173	1	shim 2. OVERSIZE 3.50 MM (0.1378 IN)
962	02230174	1	shim 3. OVERSIZE 3.75 MM (0.1476 IN)
963	02230175	1	shim 4. OVERSIZE 4.00 MM



Kurbelgehäuse
Crankcase
Carter
Carter



0150-01-500 6748



D07C 4807

Section: ENGINE

Ref: 11.01.20000

GEARBOX

Fig.	P/n	QTY	Name
964	02230176	1	(0,1575 IN) shim NORMAL 3.00 MM (0.1181 IN.)
965	02230177	1	shim 1. OVERSIZE 3.25 MM (0.1279 IN.)
966	02230178	1	shim 2. OVERSIZE 3.50 MM (0,1378 IN.)
967	02230179	1	shim 3. OVERSIZE 3.75 MM (0,1476 IN.)
968	02230180	1	shim 4. OVERSIZE 4.00 MM (0,1575 IN.)
969	02230164	1	shim NORMAL 3.00 MM (0.1181 IN.)
970	02230166	1	shim 1. OVERSIZE 3.25 MM (0.1279 IN.)
971	02230167	1	shim 2. OVERSIZE 3.50 MM (0,1378 IN.)
972	02230168	1	shim 3. OVERSIZE 3.75 MM (0,1476 IN.)
973	02230169	1	shim 4. OVERSIZE 4.00 MM (0,1575 IN.)

Section: ENGINE

BLANKING PARTS

Fig.	P/n	QTY	Name
------	-----	-----	------

Notes:

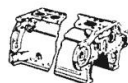
[D07C 4807]

1	02130507	1	bottom
2	01119611	1	ring DIN 007980- 8-FST-A4C

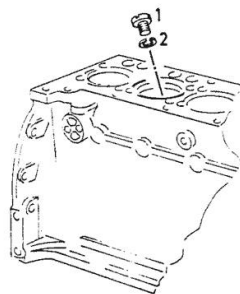


Verschlußteile
Locking parts
Pièces de fermeture
Partes de cierre

Stück/Zyl.-Einheit
Pieces/cyl. unit
Qté/cylindre
Cantid./unid. cilind.



0150-01-500 6781



Thank you so much for reading.
Please click the “Buy Now!”
button below to download the
complete manual.



After you pay.

You can download the most
perfect and complete manual in
the world immediately.

Our support email:

ebooklibonline@outlook.com