

Section: ENGINE

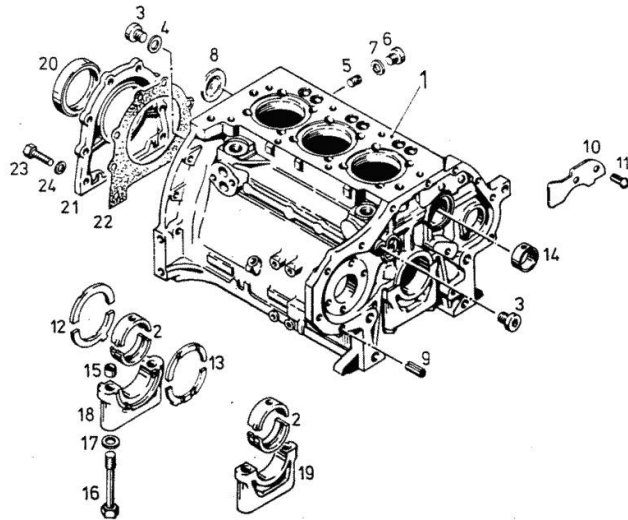
GEARBOX

Fig.	P/n	QTY	Name
Notes: [D07C 6007]			
1	04153988	1	crankcase BEST. AUS BILD NR.3 BIS 11, 14 BIS 19
2	03362379	4	bearing NORMAL 70.00 MM RD (2.7559 IN.) UNDERSIZE STEP ITEM 950-955
3	01214988	2	screw
4	01118707	2	ring 16 DIN 007603-A 16 X 22 -CU
5	01215235	4	plug
6	01110422	3	screw DIN 000908-M12X1,5-ST
7	01118673	3	oil seal DIN 007603-A 12 X 15,5-CU
8	01216240	1	disc
9	01167266	2	bush H 002341-B11X16
10	02231082	1	plate
11	01115333	2	self tapping screw ISO 008746- 6 X10-ST -A4C
12	02230181	1	shim NORMAL 3.00 MM (0.1181 IN.)
13	02230170	1	shim NORMAL 3.00 MM (0.1181 IN.)
14	02139737	1	bushing
15	03362279	8	bushing 0150-01-01.87
16	01136990	8	screw DIN 000931-BM14 X110 - 10.9
17	01216107	8	washer 15x23x1,5 H 002308-15 X23X1,5
20	02234134	1	oil seal
21	02234870	1	cover
22	03362337	1	gasket
23	01112322	8	screw m 8 p.1.25 x 20 ISO 004017-M 8 X 20 - 8.8-A4C
24	01107101	8	washer 8.4 DIN 000125-A 8,4-140HV-A4C
950	03362380	4	bearing 1. UNDERSIZE STEP 69.75 MM RD. (2.7459IN.)



Kurbelgehäuse
Crankcase
Carter
Cárter

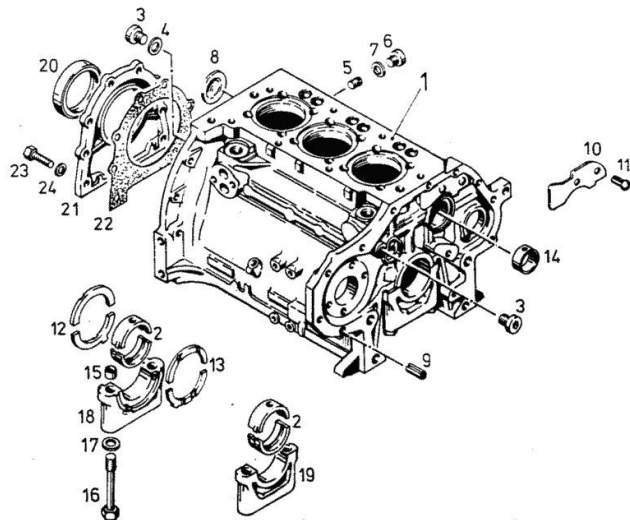
0150-01-503 4383





Kurbelgehäuse
Crankcase
Carter
Carter

0150-01-503 4383



Section: ENGINE
GEARBOX

D07C 6007

Ref: 11.01.20000

Fig.	P/n	QTY	Name
951	03362381	4	bearing 2. UNDERSIZE STEP 69.50 MM RD. (2.7362IN.)
952	03362382	4	bearing 3.UNDERSIZE STEP 69.25MM RD (2.7263 IN.)
953	03362383	4	bearing 4. UNDERSIZE STEP 69.00 MM RD. (2.7165IN.)
954	03362384	4	bearing 5. UNDERSIZE STEP 68.75 MM RD. (2.7066 IN.)
955	03362385	4	bearing 6. UNDERSIZE STEP 68.50 MM RD. (2.6968 IN.)
956	02230182	1	shim 1. OVERSIZE 3.25 MM (0,1279IN.)
957	02230183	1	shim 2. OVERSIZE 3.50 MM (0,1378 IN.)
958	02230184	1	shim 3. OVERSIZE 3.75 MM (0,1476IN.)
959	02230185	1	shim 4. OVERSIZE 4.00 MM (0,1575IN.)
960	02230172	1	shim 1. OVERSIZE 3.25 MM (0,1275IN.)
961	02230173	1	shim 2. OVERSIZE 3.50 MM (0,1378IN.)
962	02230174	1	shim 3. OVERSIZE 3.75 MM (0,1476IN.)
963	02230175	1	shim 4. OVERSIZE 4.00 MM (0,1575IN.)
975	01016120	1	compound 1 kg H 000699-DEUTZ DW 47- 310 ML

Section: ENGINE

NOZZLE

Fig.	P/n	QTY	Name
------	-----	-----	------

Notes:

[D07C 6007]

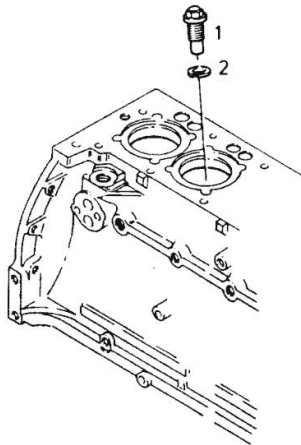
1	02239584	3	nozzle
2	01119611	3	ring DIN 007980- 8-FST-A4C



Sptzdüse
Spray nozzle
Pulversateur
Tobera de dispersión

Stück / Zyl. - Einheit
Pieces / cyl. unit
Qté / cylindre
Cantid. / unid. cilind.

0150 - 01 - 5037660



Section: ENGINE

BLANKING PARTS

Fig.	P/n	QTY	Name
------	-----	-----	------

Notes:

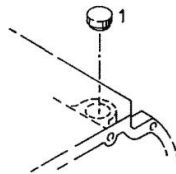
[D07C 6007]

1	02138230	1	plug
950	01001202	1	gasket H 000699-DEUTZ DW 49- 1 KG DEUTZ DW 49/0,005



Verschlussteile
Locking parts
Pièces de fermeture
Partes de cierre

0150-01-503 7737



Section: ENGINE

OIL PAN

Fig.	P/n	QTY	Name
------	-----	-----	------

Notes:
[D07C 6007]

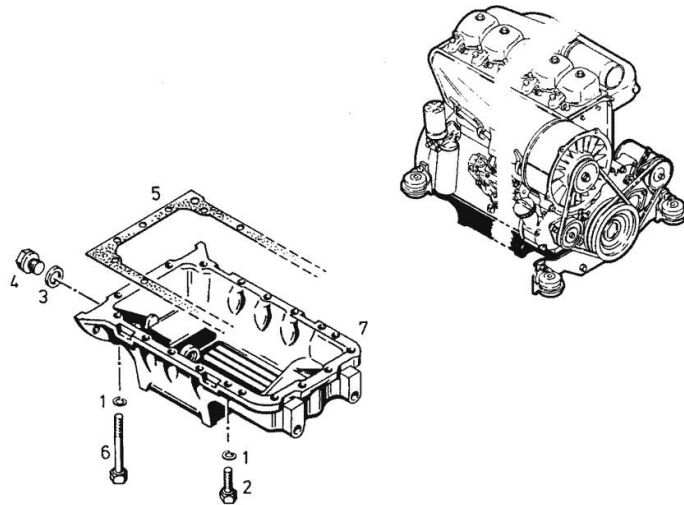
1	01102799	19	washer 8, d128 DIN 000128-A 8 -FST -A4C
2	01112333	16	screw m 8 x 25, d933 ISO 004017-M 8 X 25 - 8.8-A4C
3	01118736	1	oil seal DIN 007603-A 22 X 27 -AL
4	01118980	1	plug m 22 x 1.5 DIN 007604-AM22X1,5 -ST-A4C
5	03362573	1	gasket
6	01111212	3	screw DIN 000931- M 8 X110 - 8.8-ZN PHRF
7	02131611	1	oil sump OELSUMPf SCHWUNGRADSEITIG



Ölwanne
Oil pan
Carter d'huile
Sumidero de aceite



0150-02-500 6732



Section: ENGINE

OIL PAN

Fig.	P/n	QTY	Name
Notes: [D07C 6007]			
1	01101492	19	washer 8.2 DIN 006797-A 8,2-A4C
2	01112339	12	screw ISO 004017-M 8 X 30 - 8.8-GES CHW.
3	03362573	1	gasket
4	01118737	1	oil seal 22 x 27 DIN 007603-A 22 X 27 -CU
5	01118980	1	plug m 22 x 1.5 DIN 007604-AM22X1,5 -ST-A4C
6	02101390	1	oil sump
7	01111151	2	screw DIN 000931- M 8 X 45 - 8.8-OE LGESCHW.
8	01111212	5	screw DIN 000931- M 8 X110 - 8.8-ZN PHRF

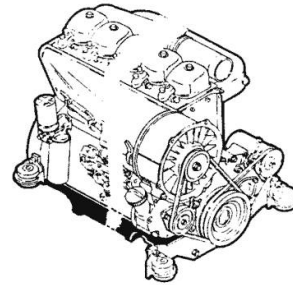
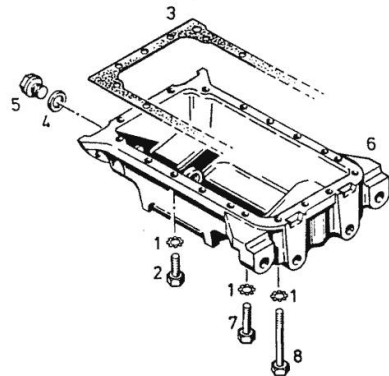


Ölwanne
Oil pan
Carter d'huile
Sumidero de aceite



0150-02-500 6742

Allradaausführung
Four-wheel drive
Execution toutes roues motrices
Version de traccion universal



Section: ENGINE

CYLINDER

Fig.	P/n	QTY	Name
Notes: [D07C 6007]			
1	02236804	1	cylinder NORMAL RD 102.0 MM OVERSIZE STEP ITEM. 950
2	02137256	2	shim mm 0.20 0,2 MM DICK PART ON REQUEST
3	02232963		shim mm 0.50 0,5MM DICK(0.0197IN.)
4	04150264		shim 0,8MM DICK(0,0315IN.)
5	02239331		shim 1,0MM DICK(0,0394IN.)

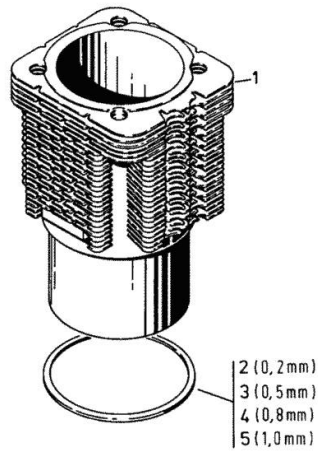


Zylinder
Cylinder
Cylindre
Cilindro

Stück / Zyl.-Einheit
Pieces / cyl. unit
Qté / cylindre
Cantid./unid. cilind.

0150-04-503 2447

2



Section: ENGINE

V-GROOVED PULLEY

Fig.	P/n	QTY	Name
------	-----	-----	------

Notes:

[D07C 6007]

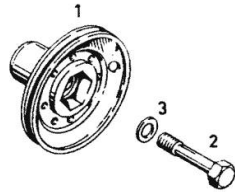
1	04158476	1	pulley SINGLE-GROOVE
2	01178931	1	screw
3	01216128	1	washer



Keilriemenscheibe
V-belt pulley
Poulie de courroie trapézoïdale
Polea acanalada



0150-05-500 4550



Section: ENGINE

V-GROOVED PULLEY

Fig.	P/n	QTY	Name
------	-----	-----	------

Notes:

[D07C 6007]

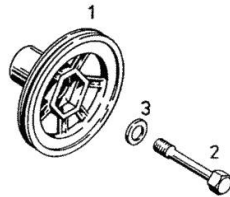
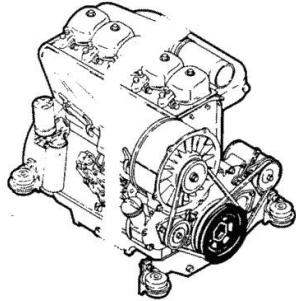
1	02234076	1	pulley
2	01166951	1	screw
3	01216128	1	washer



Kelriemenscheibe
V-belt pulley
Poulie de courroie trapézoidale
Polea acanalada



0150-05-500 4551



Section: ENGINE

FLYWHEEL

Fig.	P/n	QTY	Name
------	-----	-----	------

Notes:

[D07C 6007]

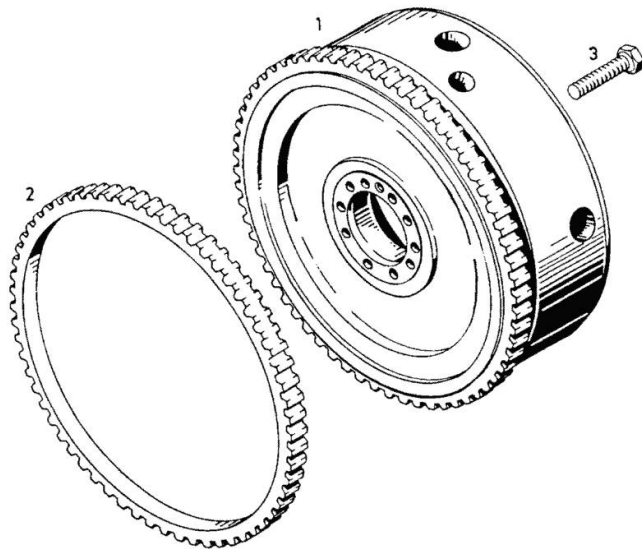
1	02162496	1	flywheel
2	02131081	1	crown wheel
3	01104845	10	screw m10x1x35 10.9 DIN 000961-M10X1 X 35 - 10.9- A4C



Schwungrad
Flywheel
Volant
Volante



0150-05-500 4613



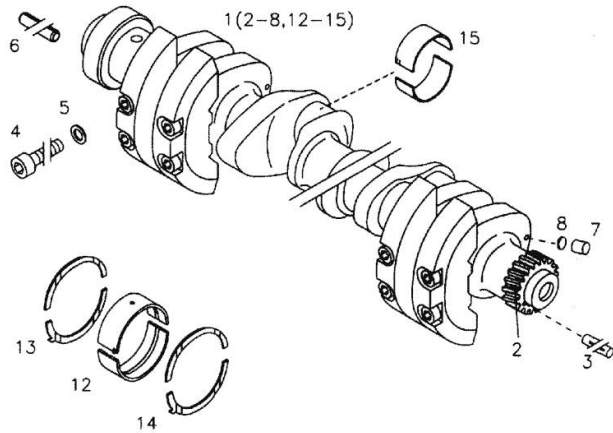


Kurbelwelle
Crankshaft
Vilebrequin
Ciguenol

Referenznr.: 05006730

0150 -05- 0503 4375

002



D07C 6007

Ref: 11.05.20000

Section: ENGINE
CRANKSHAFT

Fig.	P/n	QTY	Name
Notes: [D07C 6007]			
1	02238253	1	crankshaft WITH ITEM 2,3,6,7,8. 2-9,
2	04156890	1	gear
3	01137239	1	pin
4	01137280	8	screw m12x60 d912-10 DIN 000912- M12 X 60 -10.9-OE LGESCHW
5	01216119	8	washer 13x21x1,5 H 002308-13 X21X1,5
6	01115464	1	pin ISO 008752- 8 X 18
7	01170580	3	plug H 002855-A 8X 8
8	01167010	3	washer H 000984- 7,5X 1 -ST

Thank you so much for reading.
Please click the “Buy Now!”
button below to download the
complete manual.



After you pay.

You can download the most
perfect and complete manual in
the world immediately.

Our support email:

ebooklibonline@outlook.com