

Section: ENGINE

COVER

Fig.	P/n	QTY	Name
------	-----	-----	------

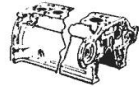
Notes:

[D07C 7207]

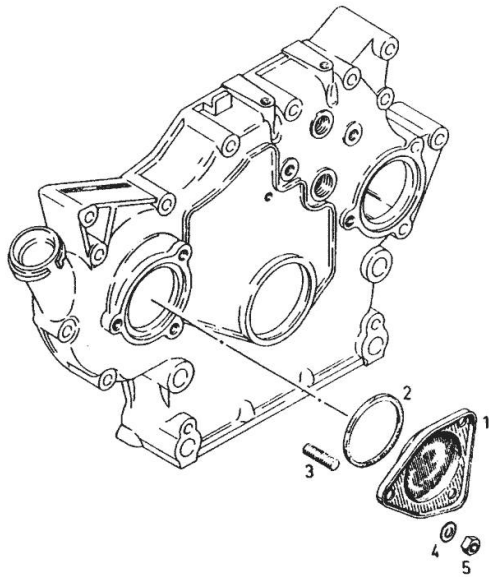
1	04152404	1	cover
2	01166110	1	ring H 002927- 80 X 3 -NBR-1-60
3	01178540	3	screw H 002091- 835-M 8 X 16- 8.8-A 4C-MK-1,5D-BL
4	01216143	3	ring
5	01112824	3	nut m 8, d934 ISO 004032-M 8 - 8-A4C



Verschlußdeckel für Spritzversteller
Cover for advance/retard unit
Couvercle pour avance automatique
Tapa de cierre para graduador de avance de inyección



0150-01-500 3331



Section: ENGINE

FRONT COVER

Fig.	P/n	QTY	Name
------	-----	-----	------

Notes:
[D07C 7207]

1	04158412	1	cover
2	01115459	1	pin ISO 008752- 6 X 45
3	04154144	1	special oil seal
4	01166111	1	oil seal H 002927- 80 X 3 -MVQ-1-50
5	01102396	1	screw ISO 004017-M 8 X 8 - 8.8-A4C
7	01016120	1	compound 1 kg H 000699-DEUTZ DW 47- 310 ML

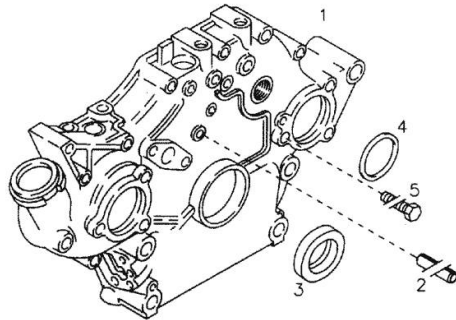
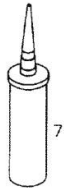


Vorderer Deckel
Front cover
Couvercle avant
Tapa delantera

Referenznr.:

0150 -01- 0500 4555

001



Section: ENGINE

INTERMEDIATE GEAR BEARING

Fig.	P/n	QTY	Name
------	-----	-----	------

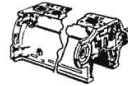
Notes:

[D07C 7207]

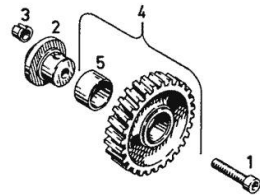
1	01110688	1	screw DIN 000912- M10 X 60 -10.9-A4 C
2	02234172	1	pin
3	02101007	1	bushing
4	03362541	1	gear
5	03362538	1	bushing



Zwischenradlagerung
Idler gear bearing
Tourillon de pignon intermédiaire
Soporte para rueda intermedia



0150-01-500 6503



Section: ENGINE

FASTENINGS

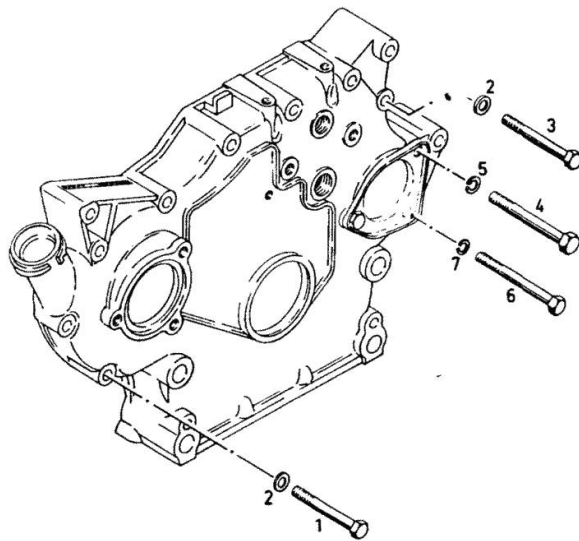
Fig.	P/n	QTY	Name
Notes: [D07C 7207]			
1	01127046	1	screw m 8 x 60 ISO 004017-M 8 X 60 - 8.8-A4C
2	01107101	3	washer 8.4 DIN 000125-A 8,4-140HV-A4C
3	01111179	2	screw m 8 x 70, d931 ISO 004014- M 8 X 70 - 8.8-A4 C
4	01111336	1	screw m 10 x 75 DIN 000931- M10 X 75 - 8.8-A4 C
5	01102800	1	washer 10.2 DIN 000128-A 10 -FST -A4C
6	01122399	1	screw ISO 004014- M 8 X 85 - 8.8-A4 C
7	01102799	1	washer 8, d128 DIN 000128-A 8 -FST -A4C



Befestigungsteile
Fastening parts
Pièces de fixation
Partes de fijación



0150-01-500 6842



Section: ENGINE

BLANKING PARTS

Fig.	P/n	QTY	Name
------	-----	-----	------

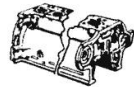
Notes:

[D07C 7207]

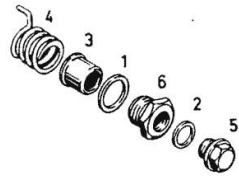
1	01118750	1	oil seal DIN 007603-A 24 X 30 -AL
2	01118713	1	washer 18.5 DIN 007603-A 18 X 22 -CU
3	02135019	1	tube
4	02237638	1	spring
5	01118970	1	plug m 18 p.1.5 DIN 007604-AM18X1,5 -ST-ZNPHR F
6	02135685	1	screw



Verschlusssteile
Locking parts
Pièces de fermeture
Partes de cierre



0150-01-502 2887



Section: ENGINE

BREATHER

Fig.	P/n	QTY	Name
------	-----	-----	------

Notes:
[D07C 7207]

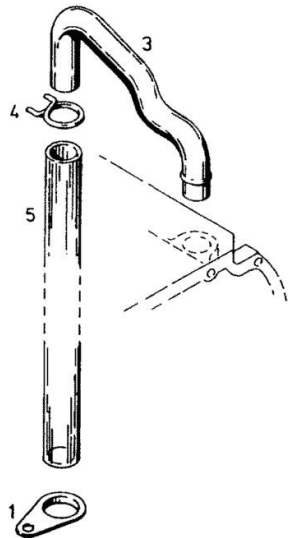
1	02101292	1	fan
3	02101740	1	tube
4	01163942	1	clamp H 000735-SK 34
5	01388826		flexible hose H 007761-A25 X31 400 MM LG
950	01001202	1	gasket H 000699-DEUTZ DW 49- 1 KG



Entlüftung
Breather
Event
Ventilación



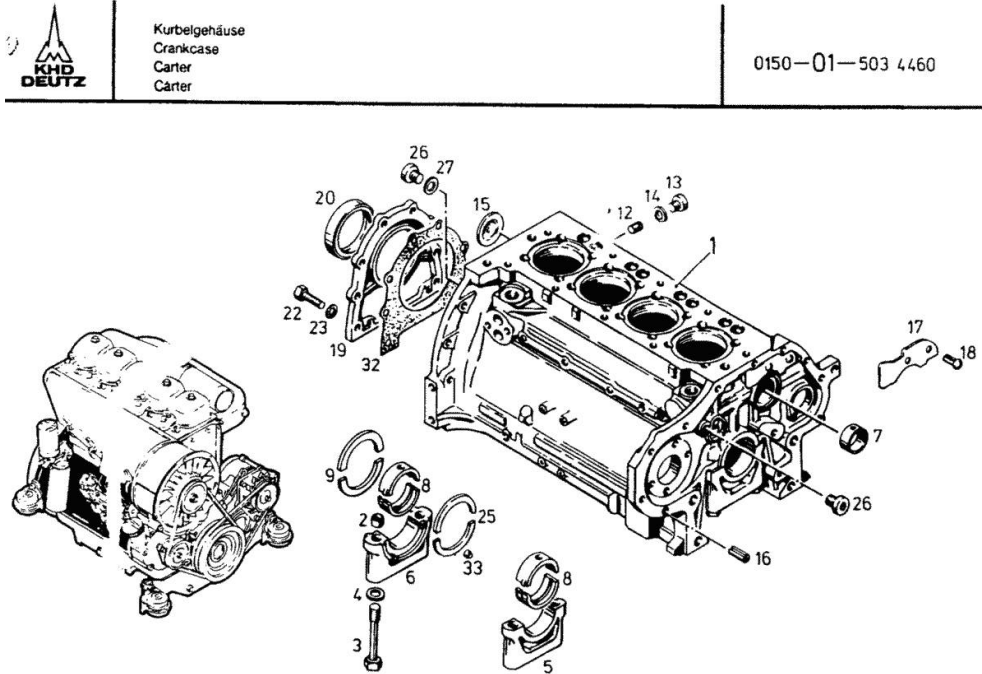
0150-01-503 2716



Section: ENGINE

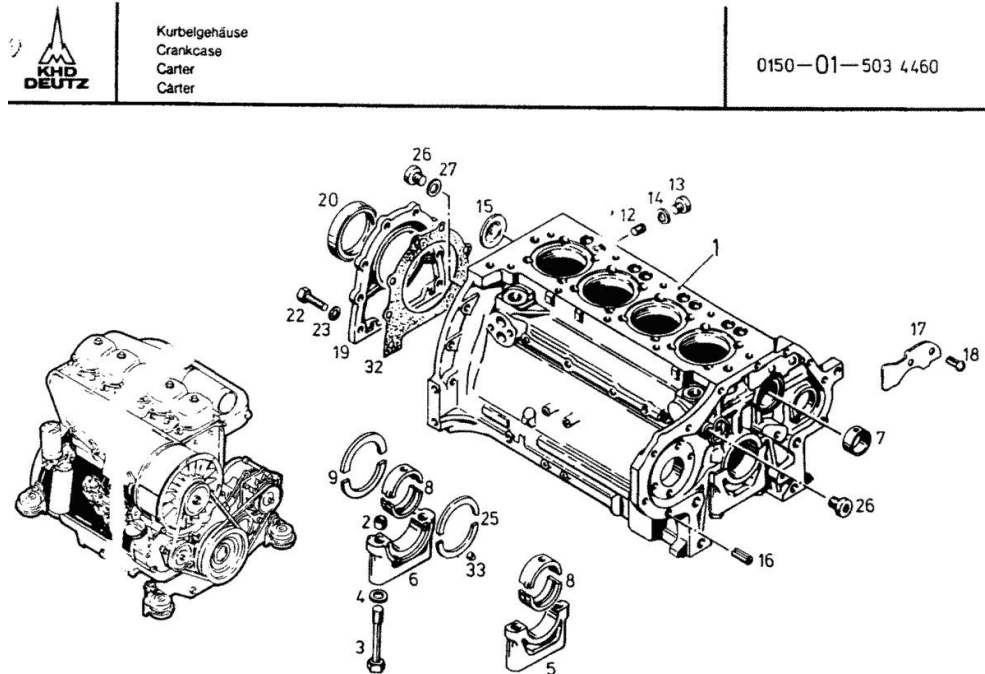
CRANKCASE

Fig.	P/n	QTY	Name
Notes:			
[D07C 7207]			
1	04150837	1	crankcase BEST AUS BILD NR.2 BIS 7 12 BIS 18,26,27,33
2	03362279	10	bushing
3	01136990	10	screw DIN 000931-BM14 X110 - 10.9
4	01216107	10	washer 15x23x1,5 H 002308-15 X23X1,5
7	02139737	1	bushing
8	03362379	5	bearing NORMAL 70.00 MM RD (2.7559 IN.) UNDERSIZE STEP ITEM 950-955 FOR INSIDE AND OUTSIDE ITEM 956
9	02230164	1	shim NORMAL 3.00 MM (0.1181 IN.) OVERSIZE STEP ITEM. 970-973
12	01215235	5	plug
13	01110422	4	screw DIN 000908-M12X1,5-ST
14	01118673	4	oil seal DIN 007603-A 12 X 15,5-CU
15	01216240	1	disc
16	01167266	2	bush H 002341-B11X16
17	02231082	1	plate
18	01115333	2	self tapping screw ISO 008746- 6 X10-ST -A4C
19	02234870	1	cover
20	02234134	1	oil seal
22	01112322	8	screw m 8 p.1.25 x 20 ISO 004017-M 8 X 20 - 8.8-A4C
23	01107101	8	washer 8.4 DIN 000125-A 8,4-140HV-A4C
25	02230176	1	shim 3,00 MM (0.1181IN.) OVERSIZE STEP ITEM. 960-963
26	04159934	2	screw
27	04159935	1	oil seal
32	03362337	1	gasket
33	03362448	2	pin
950	03362380	5	bearing



Section: ENGINE
CRANKCASE

Fig.	P/n	QTY	Name
951	03362381	5	1. UNDERSIZE STEP 69.75 MM RD. (2.7459IN.) bearing
952	03362382	5	2. UNDERSIZE STEP 69.50 MM RD. (2.7362IN.) bearing
953	03362383	5	3. UNDERSIZE STEP 69.25 MM RD. (2.7263 IN.) bearing
954	03362384	5	4.UNDERSIZE STEP69.00 MM RD (2.7165 IN.) bearing
955	03362385	5	5.UNDERSIZE STEP68.75MMRD (2,7066IN.) bearing
956	02233347	5	6.UNDERSIZE STEP68.50 MM RD (2.6968IN.) bearing
960	02230177	1	F.INSIDE(69.75MM RD) AND F. OUTSIDE (75.50MM RD) shim
961	02230178	1	1. OVERSIZE 3.25 MM (0.1279IN.) shim
962	02230179	1	2. OVERSIZE 3.50 MM (0.1378 IN.) shim
963	02230180	1	3. OVERSIZE 3.75 MM (0.1476IN.) shim
970	02230166	1	4. OVERSIZE 4.00 MM (0.1575IN.) shim
971	02230167	1	1. OVERSIZE 3.25 MM (0,1279IN.) shim
972	02230168	1	2. OVERSIZE 3.50 MM (0,1378 IN.) shim
973	02230169	1	3. OVERSIZE 3.75 MM (0.1476 IN.) shim
		1	4.OVERSIZE STEP4.00 MM (0.1575IN.)



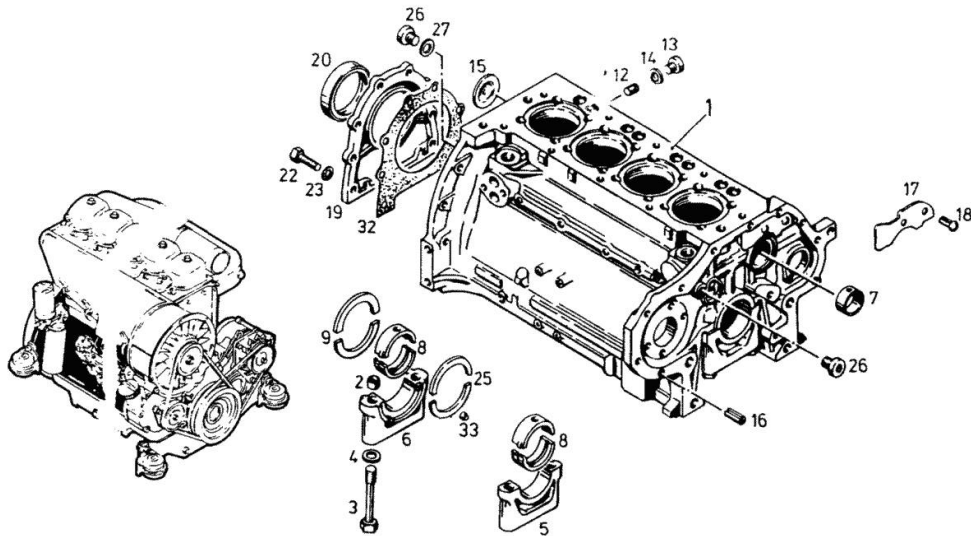
Section: ENGINE
CRANKCASE

Fig.	P/n	QTY	Name
980	01016120	1	compound 1 kg H 000699-DEUTZ DW 47- 310 ML



Kurbelgehäuse
 Crankcase
 Carter
 Carter

0150-01-503 4460



Section: ENGINE

NOZZLE

Fig.	P/n	QTY	Name
------	-----	-----	------

Notes:

[D07C 7207]

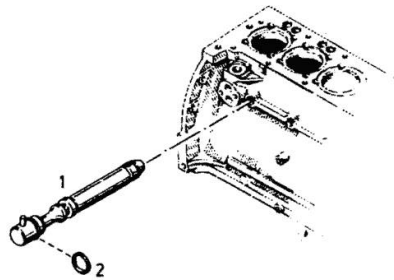
1	02239589	1	sprayer nozzle KOMPLETT
2	01173838	1	oil seal H 002927- 9 X 1,5 -FPM-1-70 H2927-9X1,5-DEUTZ VPM1
950	01001202	1	gasket H 000699-DEUTZ DW 49- 1 KG DEUTZ DW 49/1



Spritzdüse
Spray nozzle
Pulverisateur
Tobera de dispersión

Stück / Zyl.-Einheit
Pieces / cyl. unit
Qté / cylindre
Cantid. / unid. cilind.

0150-01-503 7661



Section: ENGINE

DIPSTICK

Fig.	P/n	QTY	Name
------	-----	-----	------

Notes:

[D07C 7207]

1	01176386	1	dipstick H 003535-AV - 265- 210X 40- 3 8 WITH PICTURE NO. 002
2	01174311	1	oil seal H 002927- 4,3 X 2,4 -FPM-1-70

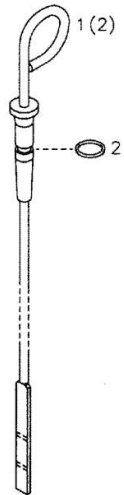


Ölmeßstab
Dipstick
Jauge de profondeur
Sonda de aceite

Referenznr.: 05004437

0150 -01- 0504 2039

001



Thank you so much for reading.
Please click the “Buy Now!”
button below to download the
complete manual.



After you pay.

You can download the most
perfect and complete manual in
the world immediately.

Our support email:

ebooklibonline@outlook.com