

Section: ENGINE

COVER

Fig.	P/n	QTY	Name
------	-----	-----	------

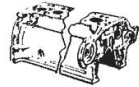
Notes:

[D07C 7807]

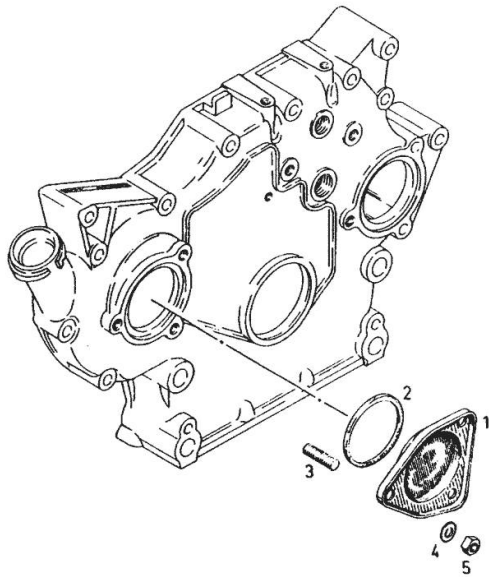
1	04152404	1	cover
2	01166110	1	ring H 002927- 80 X 3 -NBR-1-60
3	01178540	3	screw H 002091- 835-M 8 X 16- 8.8-A 4C-MK-1,5D-BL
4	01216143	3	ring
5	01112824	3	nut m 8, d934 ISO 004032-M 8 - 8-A4C



Verschlussdeckel für Spritzversteller
Cover for advance/retard unit
Couvercle pour avance automatique
Tapa de cierre para graduador de avance de inyección



0150-01-500 3331



Section: ENGINE

FRONT COVER

Fig.	P/n	QTY	Name
------	-----	-----	------

Notes:

[D07C 7807]

1	04158412	1	cover
2	01115459	1	pin ISO 008752- 6 X 45
3	04154144	1	special oil seal
4	01166111	1	oil seal H 002927- 80 X 3 -MVQ-1-50
5	01102396	1	screw ISO 004017-M 8 X 8 - 8.8-A4C
7	01016120	1	compound 1 kg H 000699-DEUTZ DW 47- 310 ML

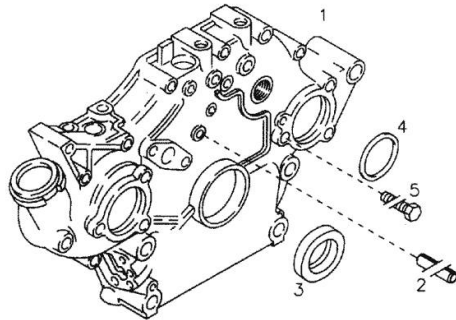


Vorderer Deckel
Front cover
Couvercle avant
Tapa delantera

Referenznr.:

0150 -01- 0500 4555

001



Section: ENGINE

INTERMEDIATE GEAR BEARING

Fig.	P/n	QTY	Name
------	-----	-----	------

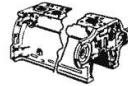
Notes:

[D07C 7807]

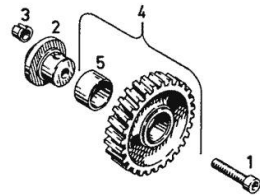
1	01110688	1	screw DIN 000912- M10 X 60 -10.9-A4 C
2	02234172	1	pin
3	02101007	1	bushing
4	03362541	1	gear
5	03362538	1	bushing



Zwischenradlagerung
Idler gear bearing
Tourillon de pignon intermédiaire
Soporte para rueda intermedia



0150-01-500 6503



Section: ENGINE

FASTENINGS

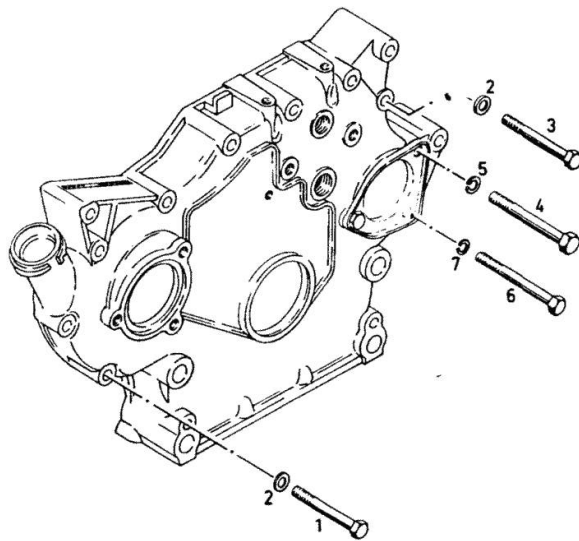
Fig.	P/n	QTY	Name
Notes:			
[D07C 7807]			
1	01127046	1	screw m 8 x 60 ISO 004017-M 8 X 60 - 8.8-A4C
2	01107101	3	washer 8.4 DIN 000125-A 8,4-140HV-A4C
3	01111179	2	screw m 8 x 70, d931 ISO 004014- M 8 X 70 - 8.8-A4 C
4	01111336	1	screw m 10 x 75 DIN 000931- M10 X 75 - 8.8-A4 C
5	01102800	1	washer 10.2 DIN 000128-A 10 -FST -A4C
6	01122399	1	screw ISO 004014- M 8 X 85 - 8.8-A4 C
7	01102799	1	washer 8, d128 DIN 000128-A 8 -FST -A4C



Befestigungsteile
Fastening parts
Pièces de fixation
Partes de fijación



0150-01-500 6842



Section: ENGINE

BLANKING PARTS

Fig.	P/n	QTY	Name
------	-----	-----	------

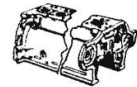
Notes:

[D07C 7807]

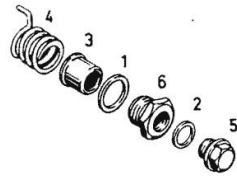
1	01118750	1	oil seal DIN 007603-A 24 X 30 -AL
2	01118713	1	washer 18.5 DIN 007603-A 18 X 22 -CU
3	02135019	1	tube
4	02237638	1	spring
5	01118970	1	plug m 18 p.1.5 DIN 007604-AM18X1,5 -ST-ZNPHR F
6	02135685	1	screw



Verschlusssteile
Locking parts
Pièces de fermeture
Partes de cierre



0150-01-502 2887



Section: ENGINE

BREATHER

Fig.	P/n	QTY	Name
------	-----	-----	------

Notes:
[D07C 7807]

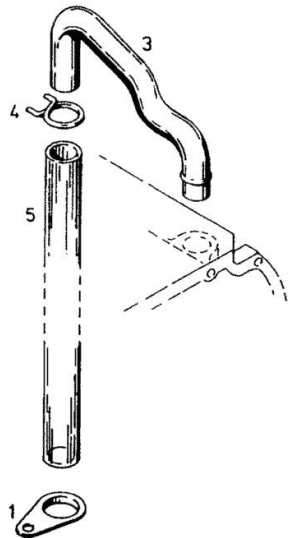
1	02101292	1	fan
3	02101740	1	tube
4	01163942	1	clamp H 000735-SK 34
5	01388826		flexible hose H 007761-A25 X31 400 MM LG
950	01001202	1	gasket H 000699-DEUTZ DW 49- 1 KG



Entlüftung
Breather
Event
Ventilación



0150-01-503 2716



Section: ENGINE

CRANKCASE

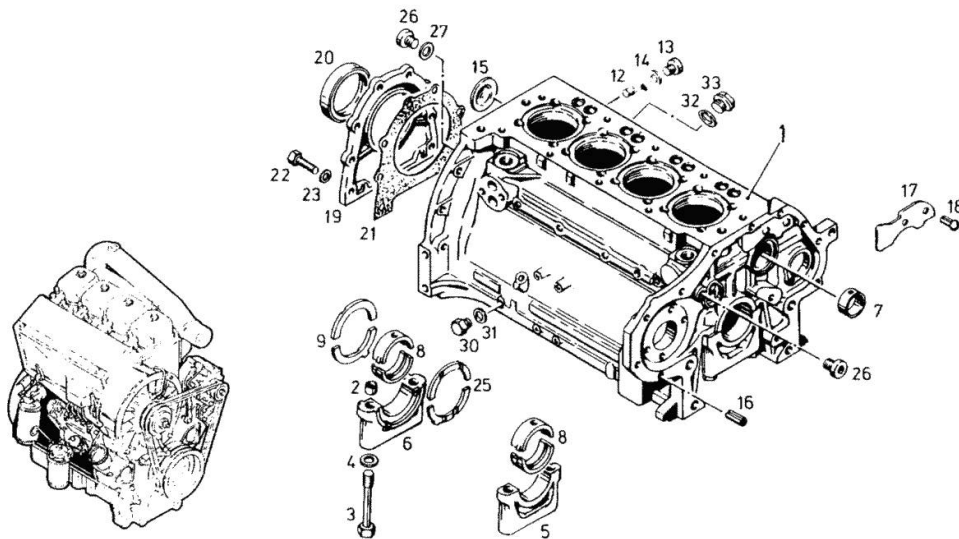
Fig.	P/n	QTY	Name
Notes:			
[D07C 7807]			
1	02238723	1	crankcase BEST. AUS BILD NR. 2 BIS7 12 BIS 18,26,27,30 BIS 33
2	03362279	10	bushing
3	01136990	10	screw DIN 000931-BM14 X110 - 10.9
4	01216107	10	washer 15x23x1,5 H 002308-15 X23X1,5
7	02139737	1	bushing
8	03362379	5	bearing NORMAL 70.00 MM RD (2.7559 IN.) UNDERSIZE STEP ITEM 950-955
9	02230181	1	shim NORMAL 3.00 MM (0.1181 IN.)
12	01215235	5	plug
13	01110422	5	screw DIN 000908-M12X1,5-ST
14	01118673	5	oil seal DIN 007603-A 12 X 15,5-CU
15	01216240	1	disc
16	01167266	2	bush H 002341-B11X16
17	02231082	1	plate
18	01115333	2	self tapping screw ISO 008746- 6 X10-ST -A4C
19	02234870	1	cover
20	02234134	1	oil seal
21	03362337	1	gasket
22	01112322	8	screw m 8 p.1.25 x 20 ISO 004017-M 8 X 20 - 8.8-A4C
23	01107101	8	washer 8.4 DIN 000125-A 8,4-140HV-A4C
25	02230170	1	shim
26	04159934	2	screw
27	04159935	1	oil seal
30	01118998	1	screw DIN 007604-CM10X1 -ST-A4C
31	01118659	1	oil seal DIN 007603-A 10 X 13,5-CU
32	01118760	1	gasket 26x31 DIN 007603-A 26 X 31 -CU



Kurbelgehäuse
Crankcase
Carter
Carter

7557 403 ←

0150-01-503 4357



Section: ENGINE
CRANKCASE

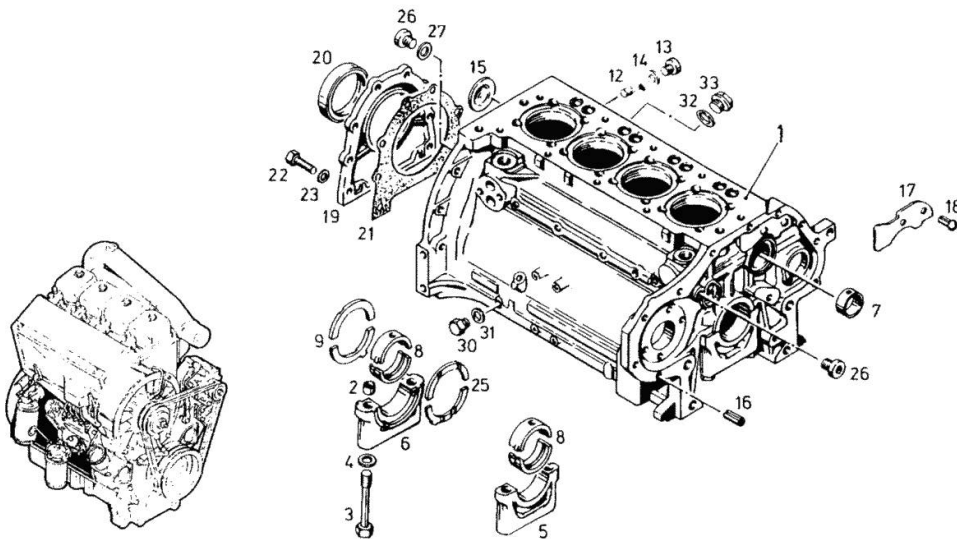
Fig.	P/n	QTY	Name
33	01118986	1	plug am26x1,5 d7604 DIN 007604-AM26X1,5 -ST-ZNPHR F
950	03362380	5	bearing 1. UNDERSIZE STEP 69.75 MM RD. (2,7459 IN.)
951	03362381	5	bearing 2. UNDERSIZE STEP 69.50 MM RD. (2,7362 IN.)
952	03362382	5	bearing 3. UNDERSIZE STEP 69.25 MMRD. (2,7263 IN.)
953	03362383	5	bearing 4.UNDERSIZE STEP69.00 MMRD (2,7165 IN.)
954	03362384	5	bearing 5.UNDERSIZE STEP68.75 MMRD (2,7066IN.)
955	03362385	5	bearing 6.UNDERSIZE STEP68.50 MM RD (2,6968 IN.)
956	02230182	1	shim 1. OVERSIZE 3.25 MM (0,1279 IN.)
957	02230183	1	shim 2. OVERSIZE 3.50 MM (0,1378 IN.)
958	02230184	1	shim 3. OVERSIZE 3.75 MM (0,1476 IN.)
959	02230185	1	shim 4. OVERSIZE 4.00 MM (0,1575 IN.)
960	02230172	1	shim 1. OVERSIZE 3.25 MM (0,1279 IN.)
961	02230173	1	shim 2. OVERSIZE 3.50 MM (0,1378 IN.)
962	02230174	1	shim 3. OVERSIZE 3.75 MM (0,1476 IN.)
963	02230175	1	shim 4. OVERSIZE 4.00 MM



Kurbelgehäuse
Crankcase
Carter
Carter

7557 403 ←

0150-01-503.4357



Section: ENGINE
CRANKCASE

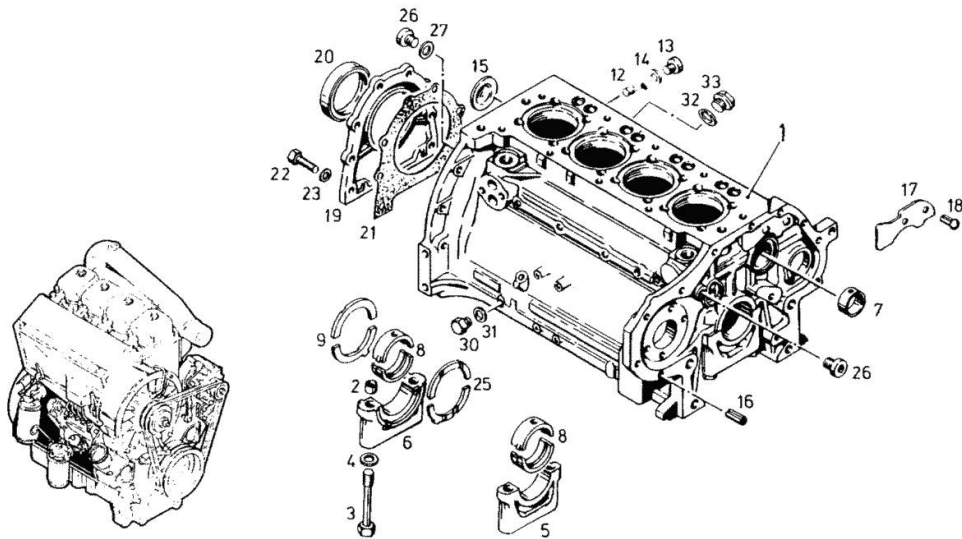
Fig.	P/n	QTY	Name
964	01016120	1	(0,1575 IN.) compound 1 kg H 000699-DEUTZ DW 47- 310 ML



Kurbelgehäuse
 Crankcase
 Carter
 Carter

7557 403 ←

0150-01-503.4357



Section: ENGINE

NOZZLE

Fig.	P/n	QTY	Name
------	-----	-----	------

Notes:

[D07C 7807]

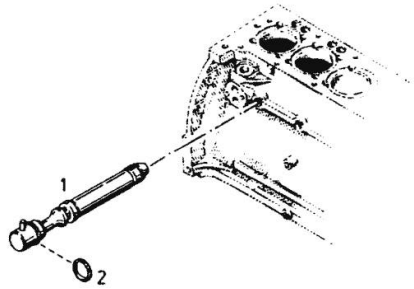
1	02239591	1	nozzle
2	01173838	1	oil seal H 002927- 9 X 1,5 -FPM-1-70
950	01001202	1	gasket H 000699-DEUTZ DW 49- 1 KG



Spritzdüse
Spray nozzle
Pulvrisateur
Tobera de dispersión

Stück / Zyl. - Einheit
Pieces / cyl. unit
Qté / cylindre
Cantid. / unid. cilind.

0150—01—503 7653



Section: ENGINE

DIPSTICK

Fig.	P/n	QTY	Name
------	-----	-----	------

Notes:

[D07C 7807]

1	01176386	1	dipstick H 003535-AV - 265- 210X 40- 3 8 WITH PICTURE NO. 002
2	01174311	1	oil seal H 002927- 4,3 X 2,4 -FPM-1-70

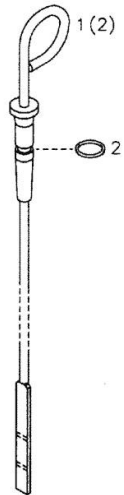


Ölmeßstab
Dipstick
Jauge de profondeur
Sonda de aceite

Referenznr.: 05004437

0150 -01- 0504 2039

001



Thank you so much for reading.
Please click the “Buy Now!”
button below to download the
complete manual.



After you pay.

You can download the most
perfect and complete manual in
the world immediately.

Our support email:

ebooklibonline@outlook.com