

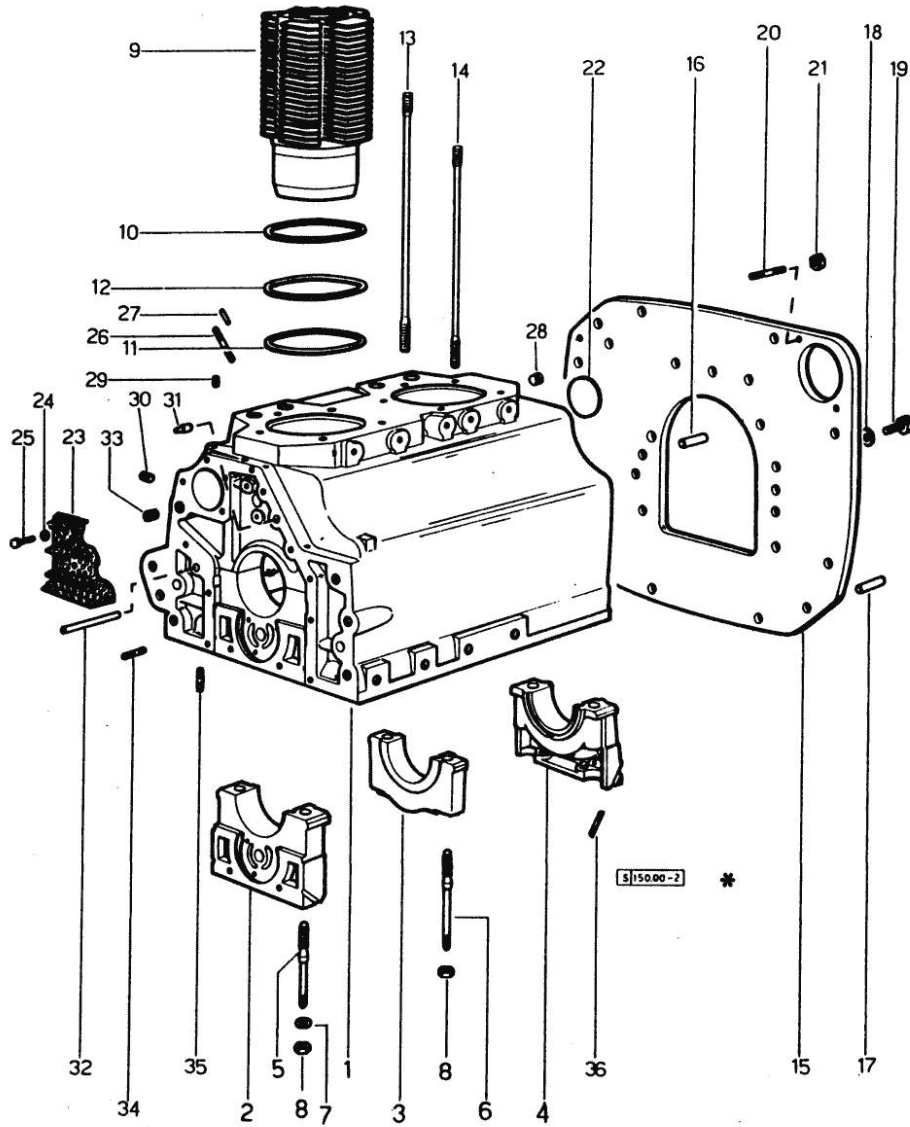
Section: ENGINE

CRANKCASE

Fig.	P/n	QTY	Name
------	-----	-----	------

Notes:  
[DELFINO 35 FRUTTETO -> 23107]

0	0.034.0050.6/10	1	gasket set - FOR ENGINE MOUNTING
1	0.034.1110.4/40	1	crankcase
2	0.004.8776.0	1	support
3	0.029.1113.0	1	support
4	0.029.1116.0	1	support
5	0.021.1157.0	4	stud bolt
6	0.029.1117.0	2	stud bolt
7	2.1599.144.7	6	shoulder ring 12.5x23x4
8	2.1019.026.7	6	special nut m 12 p.1.5
9	0.036.1120.0/10	2	engine cylinder
10	2.1589.036.0	2	shim
11	2.1569.055.0	2	shim
12	2.1589.037.0	2	shim
13	0.039.1122.0	8	stud bolt m 12 p.1.5x310
14	0.041.1123.0/10	2	stud bolt
15	0.027.1130.0/20	1	flange
16	2.1653.708.0	2	pin 8x18
17	2.1652.911.0	2	cylindrical plug 12x25
18	2.1470.008.2	11	lock washer 14
19	2.0112.511.1	11	screw m 14 p.2 x 30
20	2.0432.257.7	2	stud bolt m 12 p.1.75 - 1.25 x 30
20	2.0439.033.1	2	stud bolt m 10x28
21	2.1011.106.2	2	nut m 10 p.1.5
22	2.3170.022.1	1	expansion plug 60
23	0.029.1155.2/20	1	plate
24	2.1470.002.2	2	lock washer 6
25	2.0112.004.2	2	screw m 6 p.1 x 14
26	2.0432.159.7	2	stud bolt m 10 p.1.5 / p.1.25 x 35
27	2.1653.708.0	2	pin 8x18
28	2.3130.002.1	2	plug 1/4" gas
29	2.3139.001.1	2	plug
30	2.3139.001.1	2	plug
31	2.1699.021.0	1	pin 7.8x8x20
32	2.1699.116.0	1	pin
33	2.3130.002.1	2	plug 1/4" gas
34	2.0432.018.7	5	stud bolt m 8 p.1.25 / p.1 x 65
35	2.0432.003.7	18	stud bolt m 8 p.1.25 / p.1 x 20
36	0.029.1154.0/10	4	gasket



Section: ENGINE  
TIMING CASE

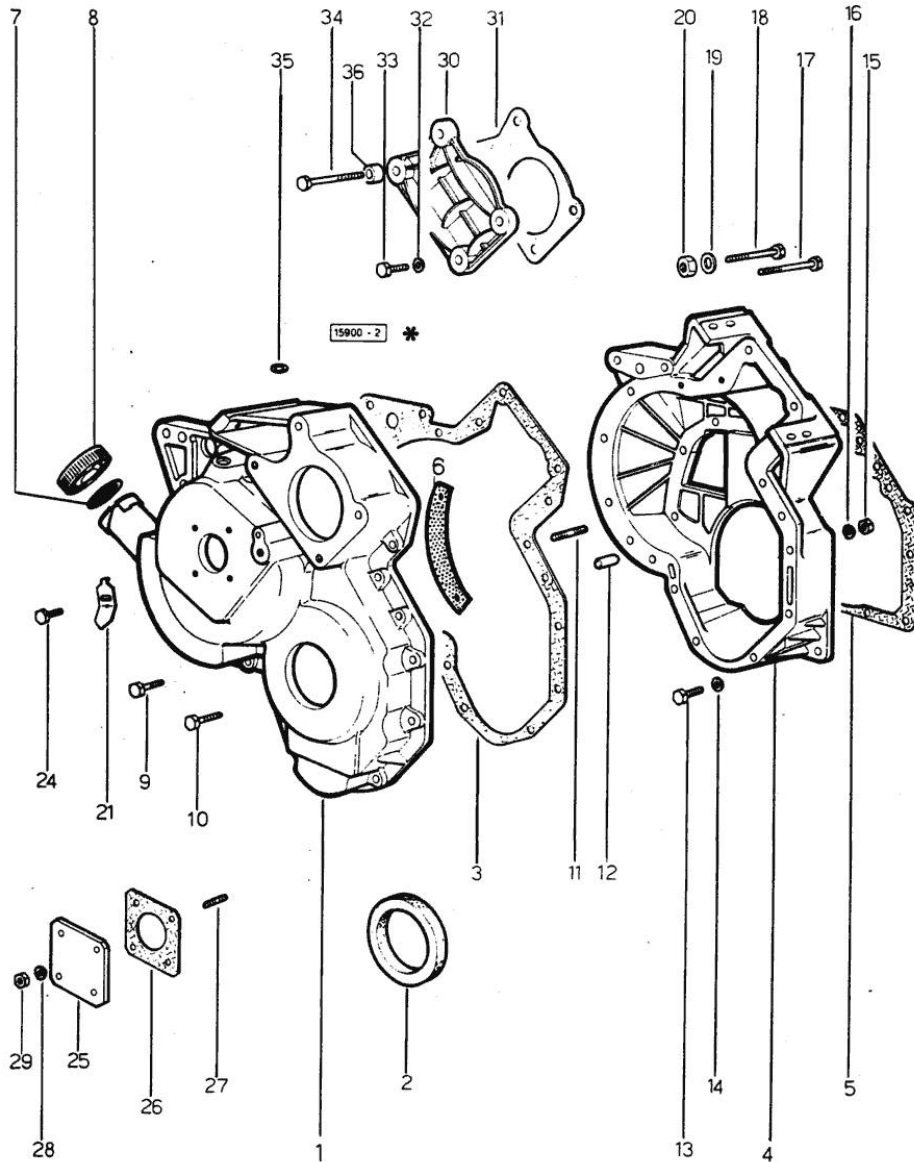


Fig.	P/n	QTY	Name
------	-----	-----	------

Notes:  
[DELFINO 35 FRUTTETO -> 23107]

1	0.027.1155.0/40	1	guard
2	2.1519.010.0	1	special oil seal 58x80x10
3	0.027.1156.0	1	gasket
4	0.027.1154.0/30	1	flange
5	0.029.1153.0/10	1	gasket
6	0.027.1152.0/20	1	small plate
7	2.1569.048.0	1	gasket
8	0.022.1135.3	1	plug
9	2.0122.224.2	1	screw
10	2.0122.213.2	4	screw m 8 p.1x35
11	2.0439.060.2	3	stud bolt m 8 p.1.25-1x22
12	2.1653.711.0	1	pin
13	2.0112.207.2	8	screw m 8 p 1.25 x 20
14	2.1474.009.1	8	spring washer 8
15	2.1121.105.2	15	nut m 8 x 1
16	2.1474.009.1	15	spring washer 8
17	2.0122.225.2	1	screw m 8 p.1x80
18	2.0122.224.1	1	screw
19	2.1474.009.1	2	spring washer 8
20	2.1121.105.2	2	nut m 8 x 1
21	0.027.1150.0/10	1	index
24	2.0112.103.1	1	screw m 7 p.1.x12
24	2.0112.204.2	1	screw m 8 p.1.25x14
25	0.027.1153.0	1	flange
26	0.026.1150.0	1	gasket
27	2.0439.055.1	4	stud bolt m 6 p.1 x 18
28	2.1474.007.1	4	spring washer 6
29	2.1011.103.2	4	nut m 6 p.1
30	0.029.1163.0	1	small cover
31	0.054.1155.0	1	gasket
32	2.1474.009.1	2	spring washer 8
33	2.0112.211.2	2	screw m 8 p.1.25 x 30
34	2.0122.233.2	2	screw
35	2.1530.028.0	1	oil seal 11.91 x 2.62
36	2.1579.191.2	2	spacer 8.5 x 18 x 20

**CRANKSHAFT**

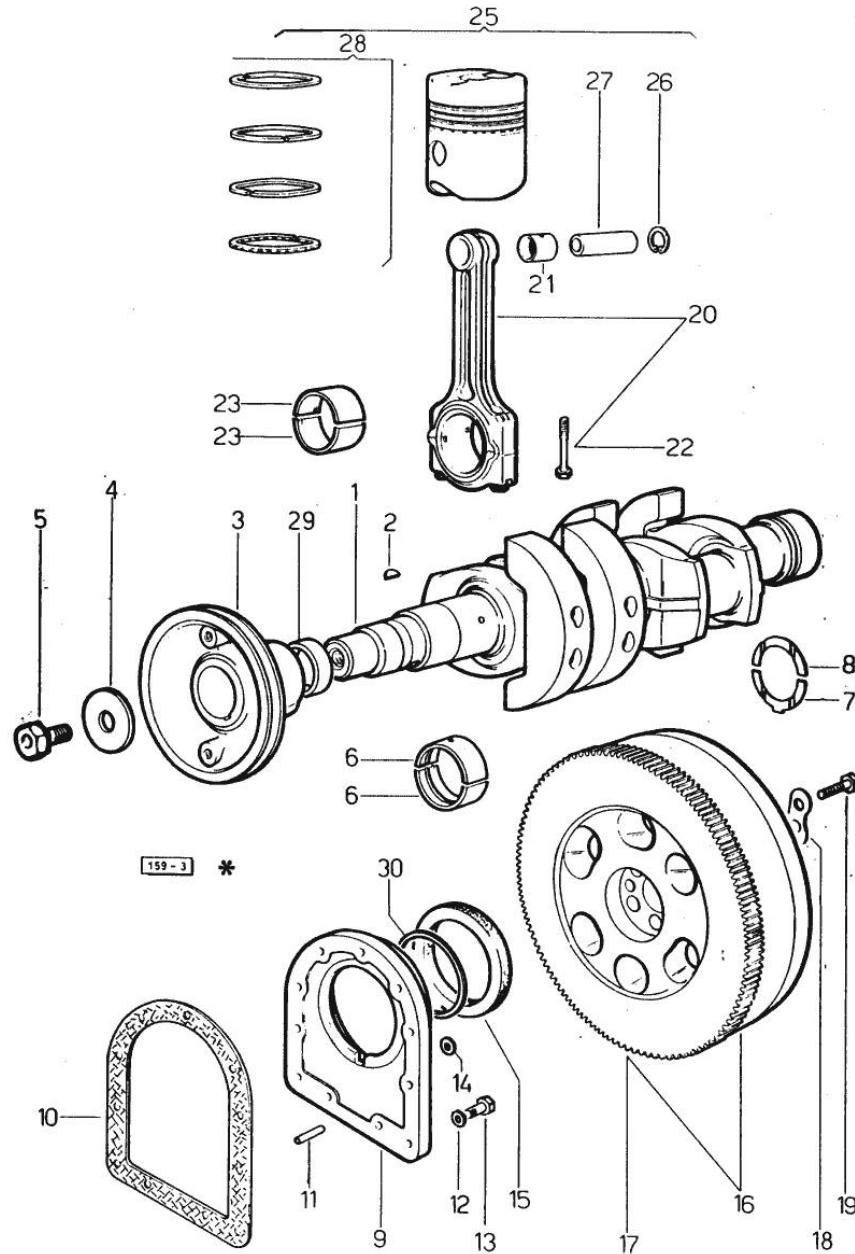
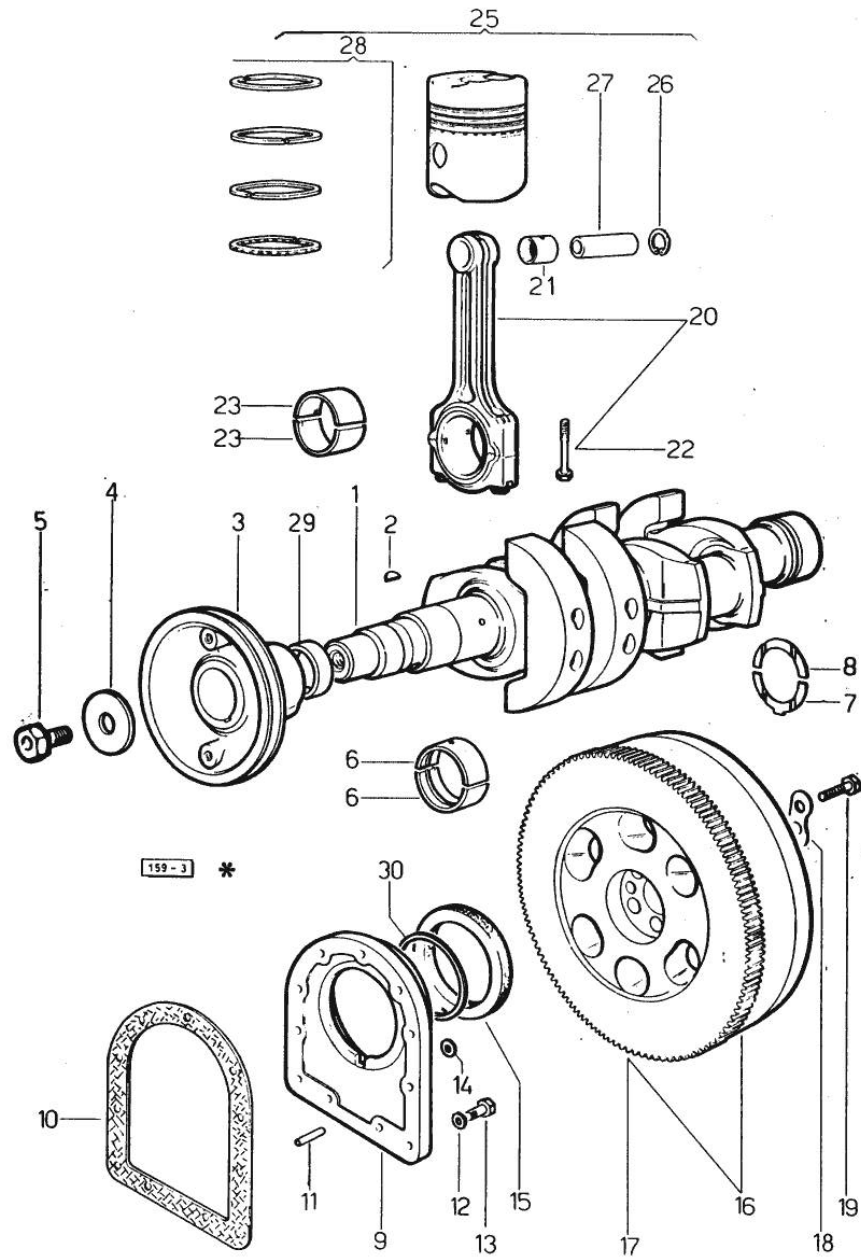


Fig.	P/n	QTY	Name
<b>Notes:</b>			
[DELFINO 35 FRUTTETO -> 23107]			
1	0.034.1210.4/10	1	crankshaft
2	2.1799.002.0	1	stick 10x13
2	2.1799.026.0	1	X DELFINO 35 - 38003 <- X DELFINO 35 FR. - 38348 <- key 10x10
3	0.027.1244.0/30	1	X DELFINO 35 - -> 38004 X DELFINO 35 FR. - -> 38349 pulley
4	0.001.6020.0	1	shoulder
5	2.0129.032.2	1	screw m 24 p.2x45
6	0.073.1215.0	6	main half bushing STANDARD
6	0.073.1215.7	6	main half bushing - mm 0.25
6	0.073.1215.8	6	main half bushing - mm 0.50
6	0.073.1215.9	6	main half bushing - mm 0.75
7	0.001.4547.0	2	shoulder ring + mm 0.05
7	0.001.4548.0	2	shoulder ring + mm 0.10
7	0.001.4549.0	2	shoulder ring + mm 0.15
7	0.042.1219.0	2	shoulder ring STANDARD
8	0.001.4544.0	2	shoulder ring + mm 0.05
8	0.001.4545.0	2	shoulder ring + mm 0.10
8	0.001.4546.0	2	shoulder ring + mm 0.15
8	0.042.1218.0	2	shoulder ring STANDARD
9	0.029.1240.0	1	flange
10	0.029.1250.0/10	1	gasket
11	2.1652.915.0	2	cylindrical plug 12x35
12	2.1474.010.1	6	spring washer 10
13	2.0112.309.2	9	screw m 10 p.1.5 x 25
14	2.1560.006.0	3	gasket 10.2 x 16
15	2.1519.009.0	1	special oil seal
16	0.027.1241.3/20	1	flywheel
17	0.038.1242.0	1	crown wheel Z = 120, mm 15
18	2.1379.006.0	1	lock-tab 15x15x36,5
19	2.0122.515.7	6	screw
20	0.039.1220.3/30	2	engine connecting rod
21	2.1559.114.0/10	2	special bushing
22	0.039.1250.0	4	screw m 14 p.1.5x63
23	0.062.0059.0	6	con.rod half bushing - mm 1.00
23	0.062.1225.0	6	con.rod half bushing STANDARD
23	0.062.1225.7	6	con.rod half bushing - mm 0.25
23	0.062.1225.8	6	con.rod half bushing - mm 0.50

**CRANKSHAFT**

Fig.	P/n	QTY	Name
23	0.062.1225.9	6	con.rod half bushing - mm 0.75
25	0.036.0060.6/10	2	complete piston
25	0.036.0061.6/10	2	complete piston + mm 0.50
25	0.036.0062.6/10	2	complete piston + mm 1.00
26	2.1411.014.1	4	circlip 35
27	0.002.4167.0	2	piston pin
28	0.053.0052.6/10	2	piston ring set
28	0.053.0053.6/10	2	piston ring set + mm 0.50
28	0.053.0054.6/10	2	piston ring set + mm 1.0
29	0.034.1256.0	1	spacer
30	2.1599.404.0	1	shoulder ring



Section: ENGINE

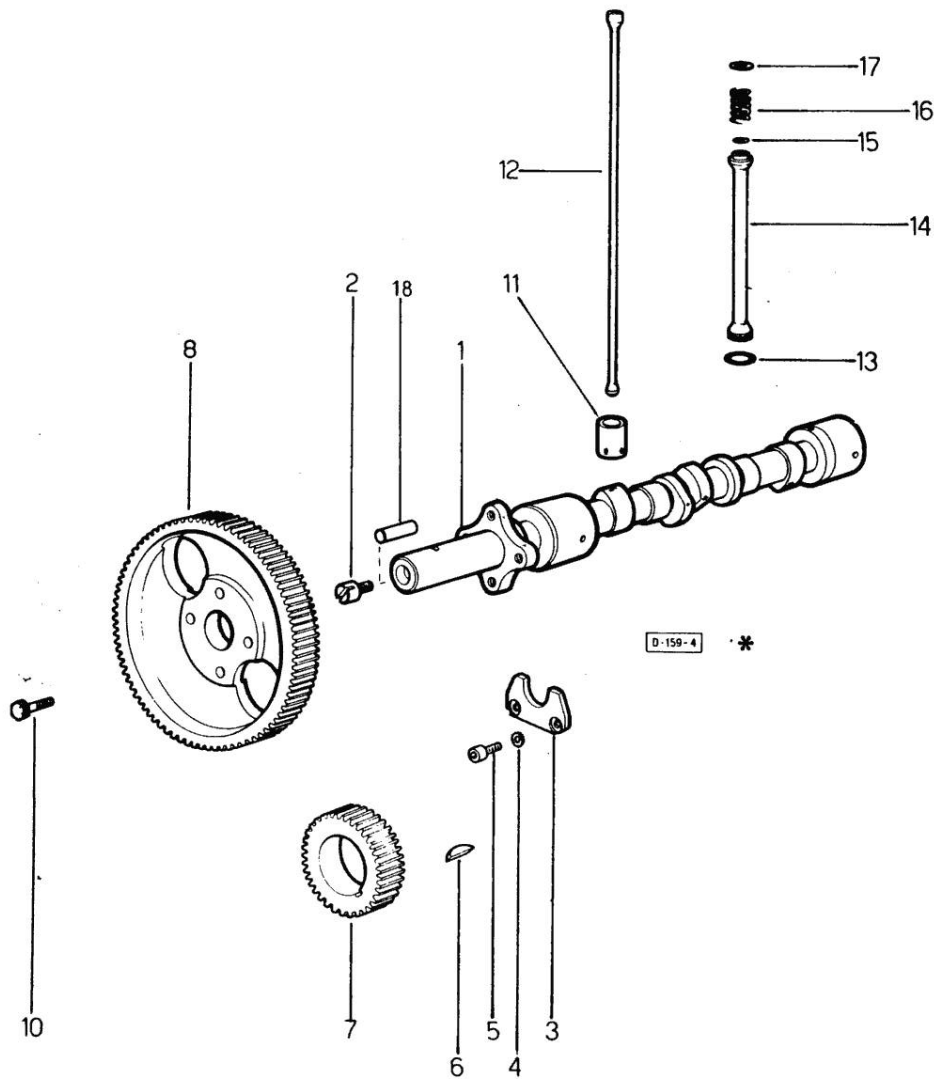
**CAMSHAFT**

Fig.	P/n	QTY	Name
------	-----	-----	------

Notes:

[DELFINO 35 FRUTTETO -> 23107]

1	0.027.1351.0/20	1	camshaft
2	0.027.1350.0/20	1	pin
3	0.027.1314.0/10	1	plate
4	2.1474.009.1	2	spring washer 8
5	2.0312.206.2	2	screw m 8 p 1.25 x 20
6	2.1720.010.0	1	key 5x9
7	0.029.1320.0/10	1	gear wheel
8	0.035.1321.0	1	gear
10	2.0139.006.1	4	screw
11	0.002.3909.0	4	tappets
12	0.037.1331.0	4	rod
13	2.1539.018.0	4	special oil seal
14	0.039.1332.0/10	4	sleeve
15	2.1539.022.0	4	special oil seal 12.37x2.62
16	2.4019.090.1	4	spring 25x34x2.5
16	2.4019.149.1	4	spring 14x29x2
17	2.1569.037.0	4	gasket
18	2.1650.513.0	1	pin 6 x 30



Section: ENGINE  
CYLINDER HEAD

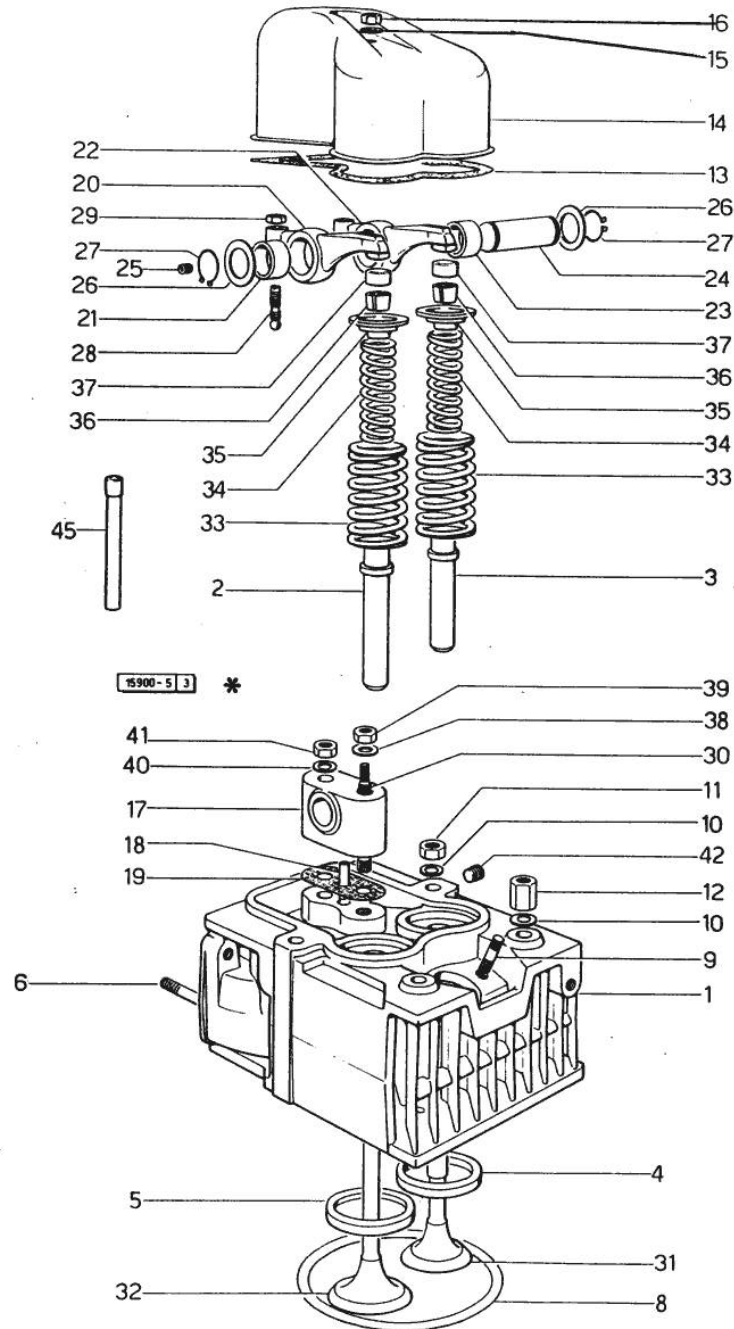


Fig.	P/n	QTY	Name
<b>Notes:</b> [DELFINO 35 FRUTTETO -> 23107]			
0	0.034.0057.6	1	gasket set - FOR 1 CYLINDER VALVE GRINDING AND PISTON RINGS REPLACEMENT
1	0.036.1410.6/20	2	engine head
2	0.037.1416.0	2	valve guide
3	0.037.1417.0/10	2	valve guide
4	0.037.1452.0/10	2	valve seat
5	0.037.1451.0/10	2	valve seat
6	2.0432.003.7	4	stud bolt m 8 p.1.25 / p.1 x 20
6	2.0432.007.7	2	stud bolt m 8 p.1.25 / p.1 x 30
8	2.1569.056.0/10	2	gasket
9	2.0439.087.1/20	4	stud bolt m 8 p.1.25 / p.1 x 40
10	2.1599.406.0	8	shoulder ring
11	2.1019.025.1	6	special nut
12	2.1019.037.1	2	nut m 12 p.1.5x35
13	0.029.1450.0	2	gasket
14	0.039.1440.0	2	cap
15	2.1560.004.0	2	copper gasket 8.2 x 14
16	0.029.1452.0	2	tube
17	0.034.1430.0	2	support
18	0.029.1452.0	2	tube
19	0.034.1450.0	2	tappet gasket
20	002.5937.3/30	2	rocker arm
21	2.1559.021.0/40	2	bushing 15x19x22
22	0.002.5937.3/40	2	-
23	2.1559.021.0/40	2	bushing 15x19x22
24	0.029.1431.0	2	pin
25	2.0512.102.1	2	screw m 6 p.1 x 8
26	2.1599.019.0	4	shoulder ring 19.5x31x2
27	2.1410.055.1	4	circlip 19
28	0.021.1434.0	4	screw
29	2.1121.105.2	4	nut m 8 x 1
30	0.039.1451.0	2	stud bolt
31	0.039.1421.0	2	exhaust valve Ø mm 9
32	0.052.1420.0	2	inlet valve Ø mm 9
33	2.4019.193.0	4	spring 36.15x55.2x3.2
34	2.4019.194.0	4	spring 22.70x50.7x2.1
35	0.002.9215.0/20	4	cup
36	0.074.1423.0	8	conical valve cotter
37	0.021.1453.0/20	4	small cover
38	2.1310.006.2	2	flat washer 10.5x21

Section: ENGINE  
CYLINDER HEAD

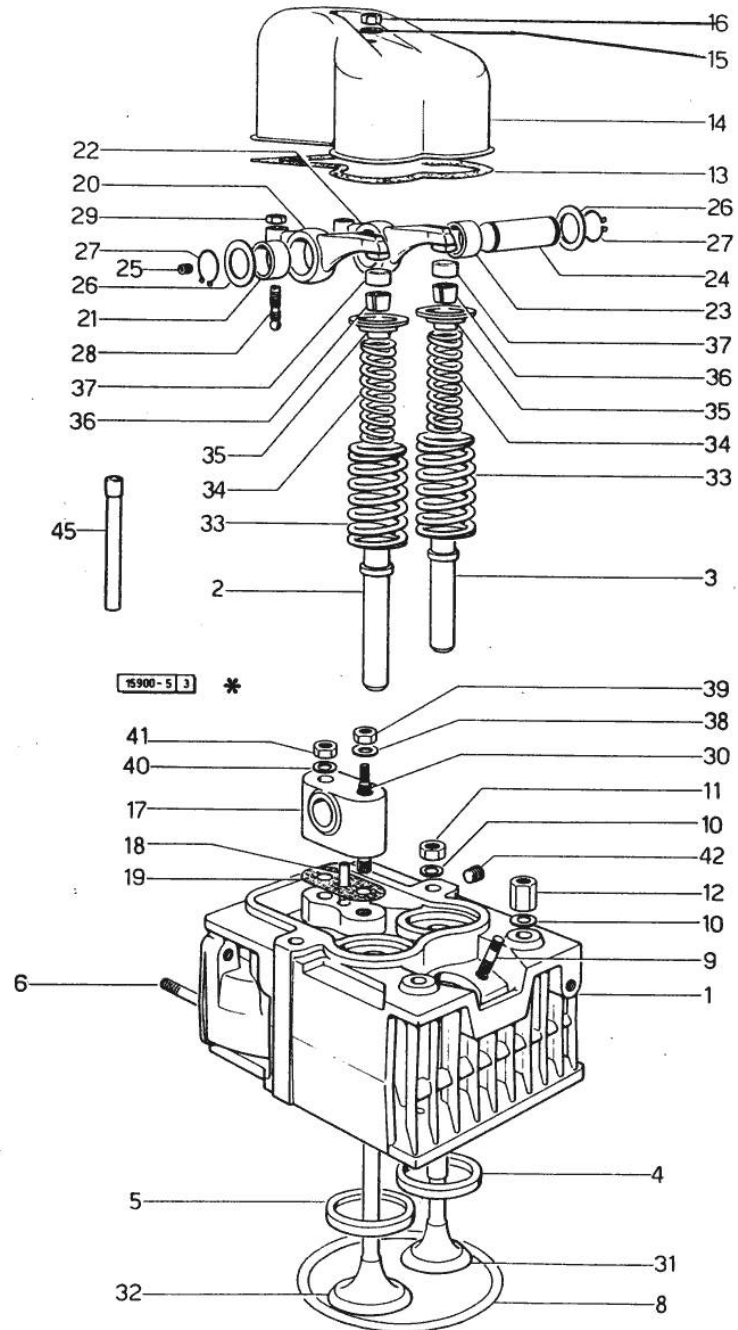


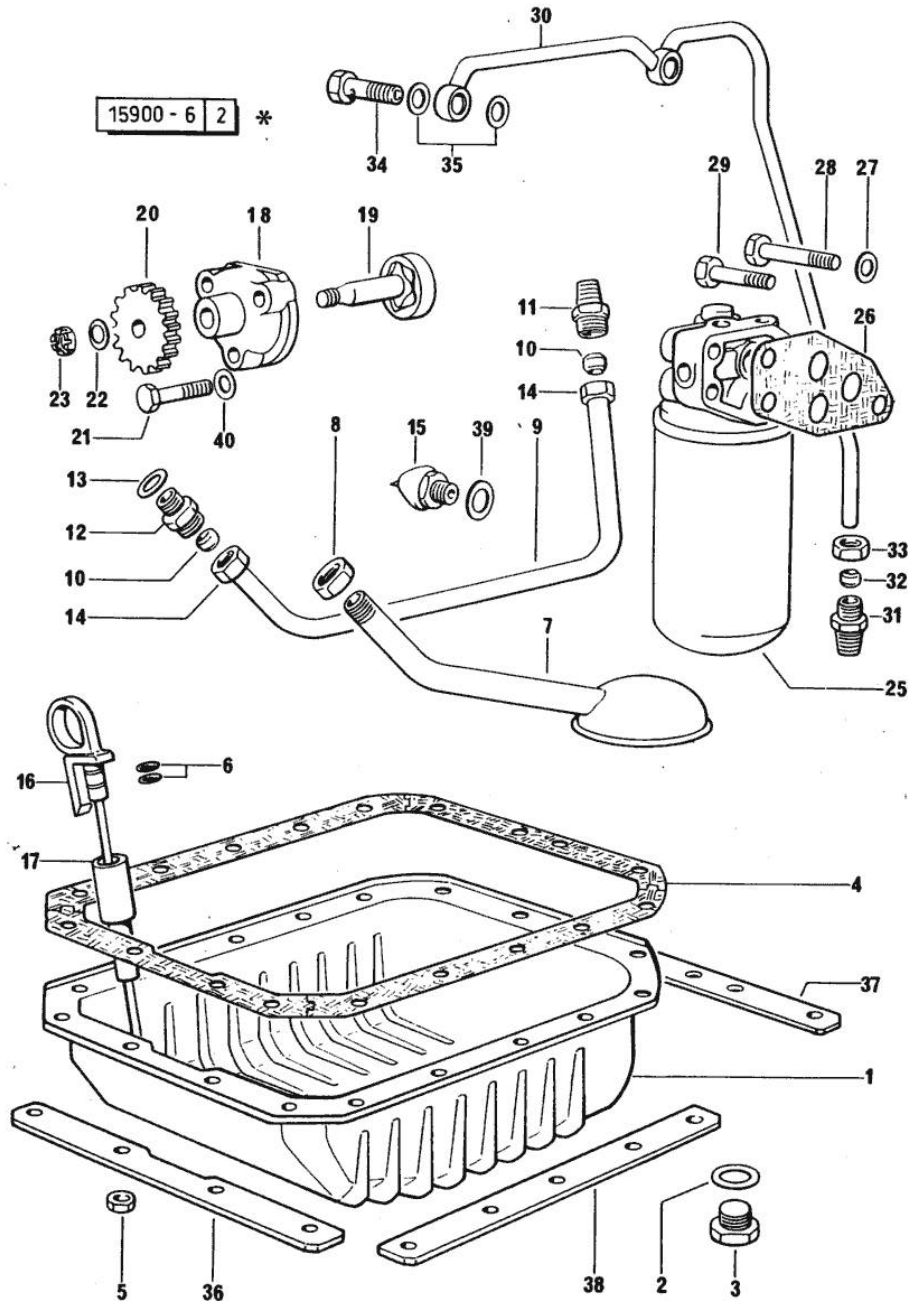
Fig.	P/n	QTY	Name
39	2.1011.421.2	2	nut m 10 p.1.25
40	2.1599.160.0	2	washer 10.5x19x4
41	2.1099.035.1	2	special nut
42	2.3130.001.1	2	plug 1/8" gas
45	0.029.1418.0	4	sleeve

Section: ENGINE  
LUBRICATION

Fig.	P/n	QTY	Name
------	-----	-----	------

Notes:  
[DELFINO 35 FRUTTETO -> 23107]

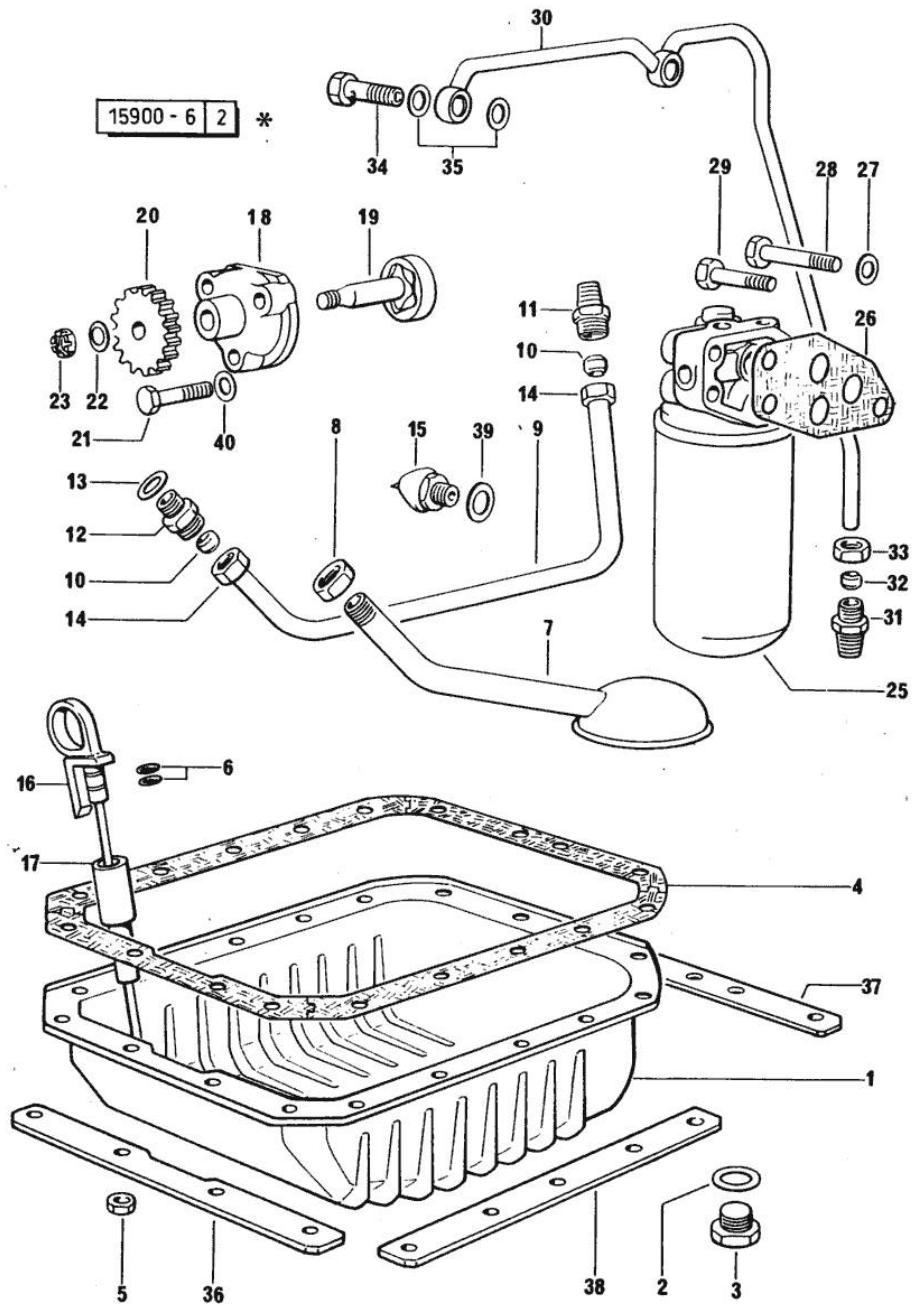
1	0.027.1510.2	1	oil sump
2	2.1560.054.0	1	gasket 21 x 26
3	2.3199.001.2	1	plug 1/2" gas
4	0.027.1512.2	1	gasket
5	2.1121.105.2	18	nut m 8 x 1
6	2.1539.065.0	2	special oil seal 8.73 x 1.78
7	0.027.1531.3	1	tube
8	2.1099.026.1	1	special nut
9	0.027.1534.0	1	tube
10	2.3359.004.2	2	ring
11	2.3319.014.1	1	pipe union
12	2.3319.013.1	1	pipe union
13	2.1560.013.0	1	gasket 18.2x22
14	2.3369.009.1	2	union nut
15	2.7099.040.0/10	1	pressure switch
16	0.034.1579.2	1	dipstick
			- FOR PERU MARKET
16	0.034.1580.2	1	dipstick
17	0.034.1578.0	1	bush
18	0.027.1520.0	1	pump casing
19	0.027.1522.3	1	rotor
20	0.029.1521.0/10	1	gear
21	2.0112.213.2	3	screw m 8 p.1.25 x 35
22	2.1310.006.2	1	flat washer 10.5x21
23	2.1121.107.2	1	self-locking nut m 10 p 1.25
25	2.4419.240.0	1	oil filter mm 95
			☞ 01.00.6
26	0.037.1552.0/10	1	gasket
27	2.1474.010.1	3	spring washer 10
28	2.0112.320.2	2	screw m 10 p.1.5 x 55
29	2.0112.315.2	1	screw m 10 p.1.5 x 40
30	0.034.1536.3	1	tube
31	2.3319.002.1	1	pipe fitting
32	2.3350.002.1	1	nosepiece 6, d128
33	2.3360.002.1	1	union nut m 10
34	2.3339.001.0	2	pipe fitting m 10 p.1
35	2.1560.006.0	4	gasket 10.2 x 16
36	0.053.1550.0/10	1	small plate
37	0.053.1551.0	1	small plate
38	0.034.1554.0	2	small plate
39	2.1560.008.0	1	gasket 12.2 x 18





Section: ENGINE  
LUBRICATION

Fig.	P/n	QTY	Name
40	2.1474.009.1	3	spring washer 8



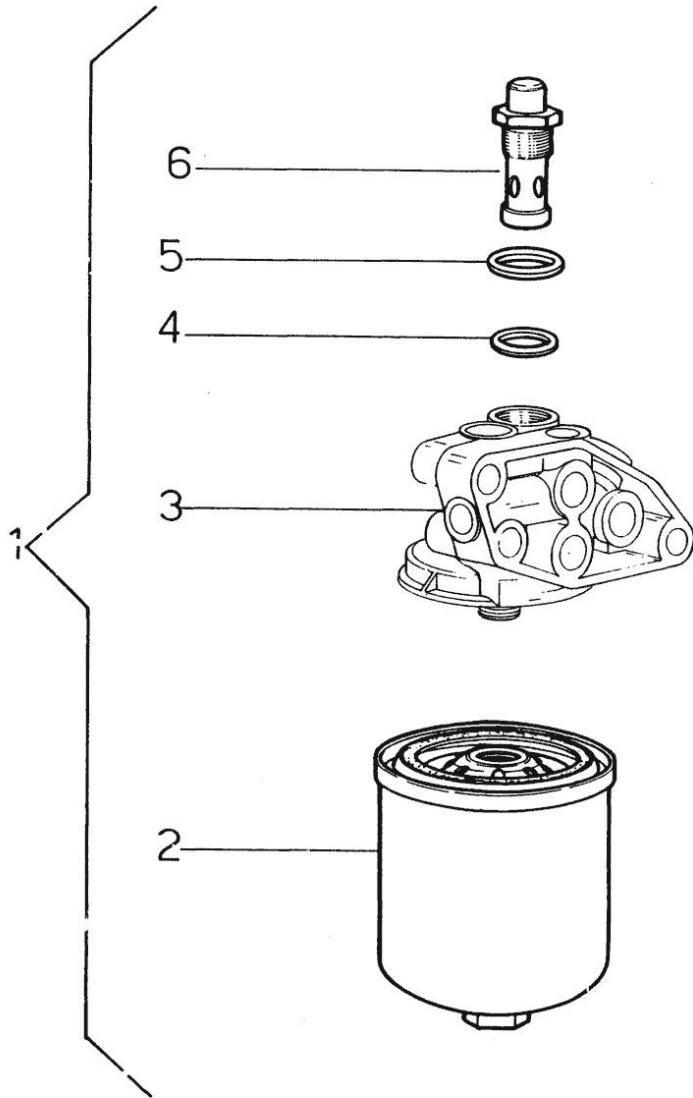
**DETAILS OF OIL FILTER**

Fig.	P/n	QTY	Name
------	-----	-----	------

**Notes:**

[DELFINO 35 FRUTTETO -> 23107]

1	2.4419.240.0	1	oil filter mm 95
2	2.4419.140.1	1	oil filter element
3	0.000.0000.1	1	cannot be supplied
4	2.1530.045.0	1	oil seal 17.86x2.62
5	2.4419.130.4	1	gasket
6	2.4419.130.2	1	valve



**2.4419.240.0**

Section: ENGINE

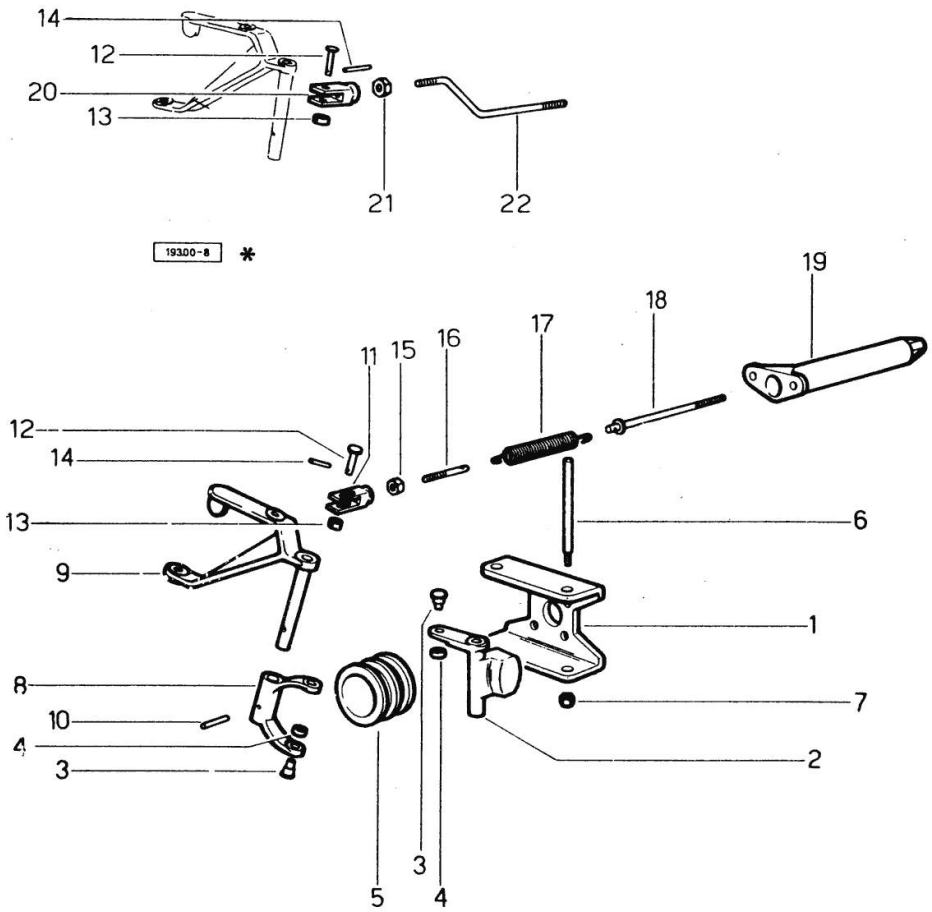
FUEL SUPPLY SYSTEM

Fig.	P/n	QTY	Name
------	-----	-----	------

Notes:

[DELFINO 35 FRUTTETO -> 23107]

1	0.029.1615.0	1	bracket
2	0.029.1616.0	2	adjust.rocker
3	0.029.1652.0	4	pin
4	0.029.1653.0	4	roller
5	0.029.1618.0	1	sleeve
6	0.029.1617.0	2	pin
7	2.1120.005.2	2	nut m 8 p.1.25
8	0.027.1670.0	1	fork
9	0.027.1668.3	1	lever
10	2.1631.311.0	1	roll pin 3x24
11	2.3519.004.2/10	1	fork
12	2.1679.018.0	2	pin
13	2.1599.109.0	2	shoulder ring
14	2.1630.006.0	2	roll pin 2x12
15	2.1011.103.2	1	nut m 6 p.1
16	0.029.1627.0/10	1	rod
17	2.4049.072.1	1	spring
18	0.035.1626.3	1	rod
19	0.029.1624.0	1	spring holder
20	0.000.4699.0	1	fork
21	2.1011.103.2	2	nut m 6 p.1
22	0.027.1674.0	1	rod



Thank you so much for reading.  
Please click the “Buy Now!”  
button below to download the  
complete manual.



After you pay.

You can download the most  
perfect and complete manual in  
the world immediately.

Our support email:

[ebooklibonline@outlook.com](mailto:ebooklibonline@outlook.com)