

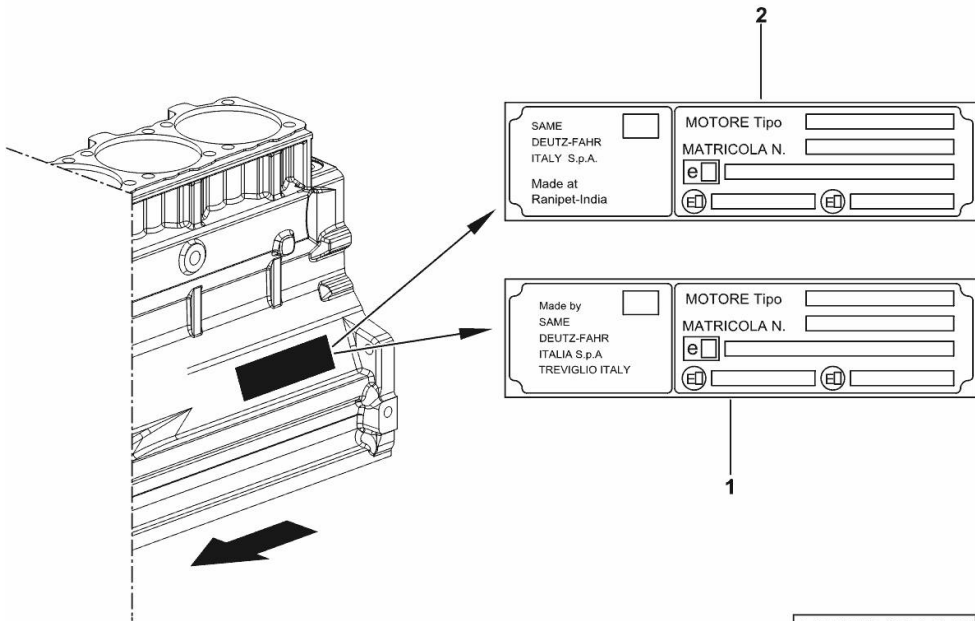
**ENGINE TYPE-APPROVAL DATA PLATE**

| Fig. | P/n | QTY | Name |
|------|-----|-----|------|
|------|-----|-----|------|

**Notes:**

[DORADO<sup>3</sup> 70 -> ZKDV1902W0TS15001]

|   |              |  |   |
|---|--------------|--|---|
| 1 | 0.000.0000.1 |  | cannot be supplied<br>MADE BY TREVIGLIO ITALY |
| 2 | 0.000.0000.1 |  | cannot be supplied<br>MADE AT RANIPET - INDIA |



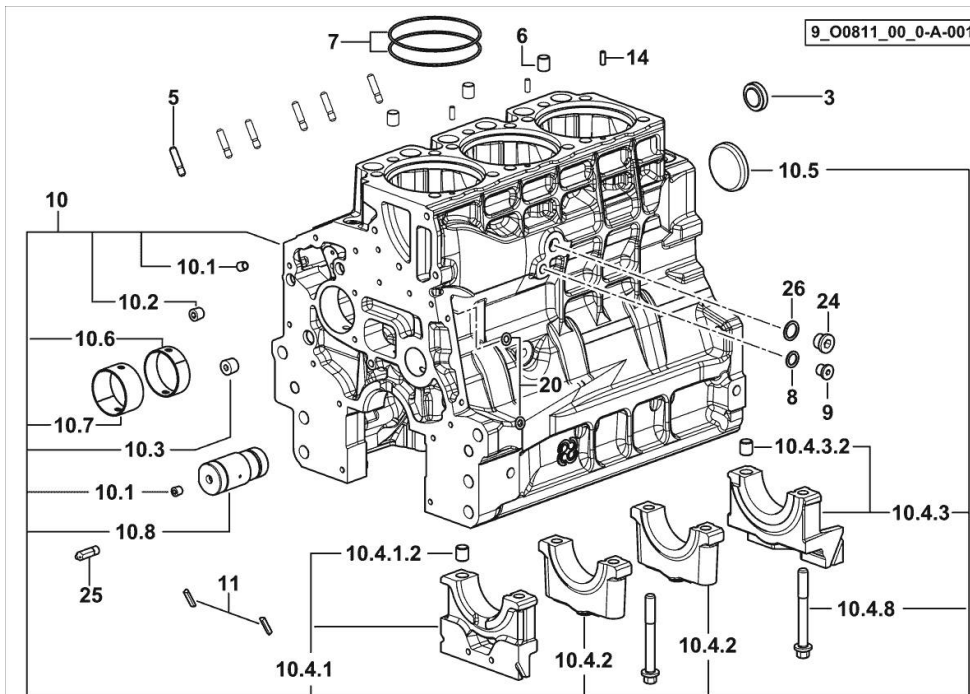
9\_STA000\_00\_0-A-001

**CRANKCASE**

| Fig. | P/n | QTY | Name |
|------|-----|-----|------|
|------|-----|-----|------|

**Notes:**

FOR ENGINES PRODUCED IN : TREVIGLIO ITALY [DORADO<sup>3</sup> 70 -> ZKDV1902W0TS15001]



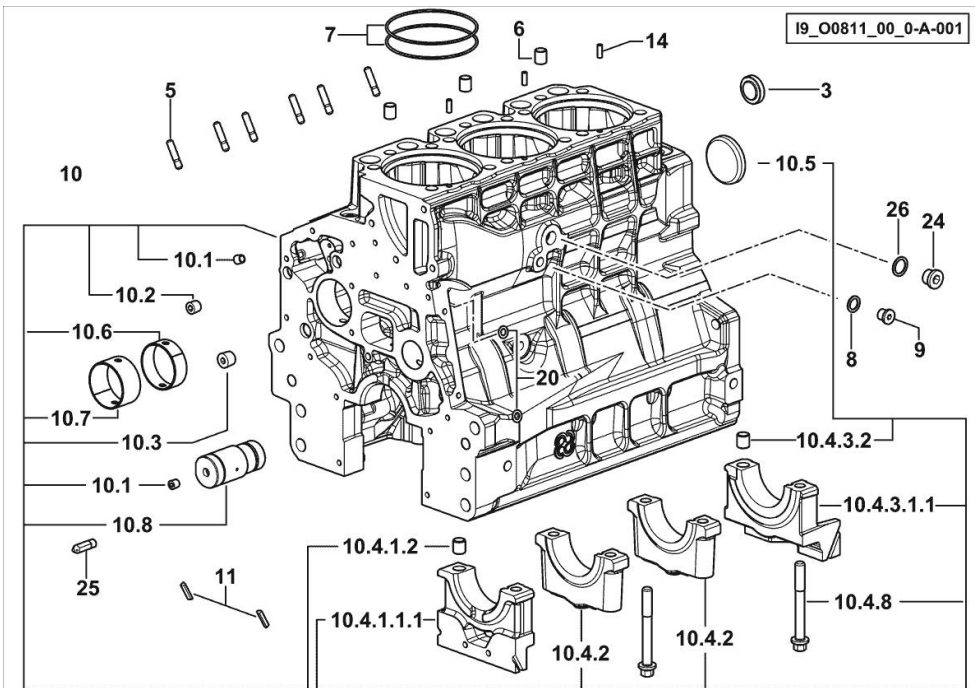
|          |                 |    |                              |
|----------|-----------------|----|------------------------------|
| 3        | 2.3199.312.2/20 | 1  | plug m 35x1.5x9.5            |
| 5        | 2.0439.279.7    | 6  | stud bolt m 8 p.1 x 25       |
| 6        | 2.1559.188.2    | 3  | bush 11.4 x 14 x16           |
| 7        | 2.1539.259.0    | 6  | special oil seal 107.62x2.62 |
| 8        | 2.1560.010.0    | 1  | gasket 14.2 x 20             |
| 9        | 2.3199.292.0    | 1  | plug 1/4" gas                |
| 10       | 0.014.9911.4/30 | 1  | crankcase                    |
| 10.1     | 2.3130.001.1    | 12 | plug 1/8" gas                |
| 10.2     | 2.3130.002.1    | 4  | plug 1/4" gas                |
| 10.3     | 2.3130.003.1    | 2  | plug 3/8" gas                |
| 10.4.1   | 0.065.1112.3    | 1  | support                      |
| 10.4.1.2 | 2.1699.165.0    | 1  | bush 12.3x15x16              |
| 10.4.2   | 0.065.1114.0/10 | 2  | support                      |
| 10.4.3   | 0.065.1116.3    | 1  | support                      |
| 10.4.3.2 | 2.1699.165.0    | 1  | bush 12.3x15x16              |
| 10.4.8   | 0.065.1117.0    | 8  | screw m 12 x 100             |
| 10.5     | 2.3179.012.0    | 1  | plug 60                      |
| 10.6     | 0.065.1140.0    | 3  | special bushing 59X55X20     |
| 10.7     | 0.065.1141.0    | 1  | special bushing 59X55X30     |
| 10.8     | 0.014.1340.0/10 | 1  | pin mm 85                    |
| 11       | 0.066.1152.0/10 | 4  | gasket                       |
| 14       | 2.1549.154.2    | 3  | bush 4.8x5.8x16              |
| 20       | 2.1470.004.2    | 4  | lock washer 8                |
| 24       | 2.3120.101.0    | 1  | plug m 18 p.1.5              |
| 25       | 0.013.4946.0/10 | 1  | sprayer nozzle               |
| 26       | 2.1560.014.0    | 1  | washer 18.2 x 24             |

**CRANKCASE**

| Fig. | P/n | QTY | Name |
|------|-----|-----|------|
|------|-----|-----|------|

**Notes:**

FOR ENGINES PRODUCED IN : RANIPET - INDIA [DORADO<sup>3</sup> 70 -> ZKDV1902W0TS15001]



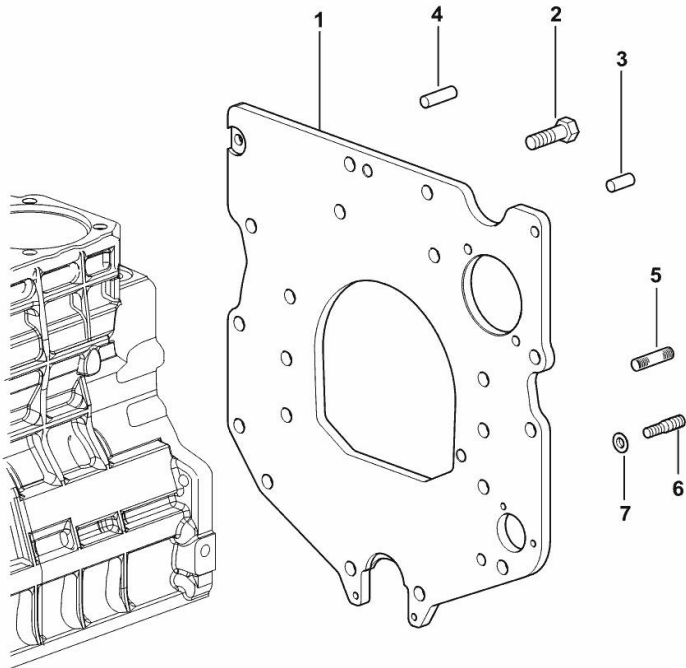
|            |                 |    |                              |
|------------|-----------------|----|------------------------------|
| 3          | 2.3199.312.2/20 | 1  | plug m 35x1.5x9.5            |
| 5          | 2.0439.279.7    | 6  | stud bolt m 8 p.1 x 25       |
| 6          | 2.1559.188.2    | 3  | bush 11.4 x 14 x16           |
| 7          | 2.1539.259.0    | 6  | special oil seal 107.62x2.62 |
| 8          | 2.1560.010.0    | 1  | gasket 14.2 x 20             |
| 9          | 2.3199.292.0    | 1  | plug 1/4" gas                |
| 10         | 0.014.9911.4/30 | 1  | crankcase                    |
| 10.1       | 2.3130.001.1    | 12 | plug 1/8" gas                |
| 10.2       | 2.3130.002.1    | 4  | plug 1/4" gas                |
| 10.3       | 2.3130.003.1    | 2  | plug 3/8" gas                |
| 10.4.1.1.1 | 0.065.1112.7/10 | 1  | support                      |
| 10.4.1.2   | 2.1699.165.0    | 1  | bush 12.3x15x16              |
| 10.4.2     | 0.065.1114.0/10 | 2  | support                      |
| 10.4.3.1.1 | 0.065.1116.7/10 | 1  | support                      |
| 10.4.3.2   | 2.1699.165.0    | 1  | bush 12.3x15x16              |
| 10.4.8     | 0.065.1117.0    | 8  | screw m 12 x 100             |
| 10.5       | 2.3179.012.0    | 1  | plug 60                      |
| 10.6       | 0.065.1140.0    | 3  | special bushing 59X55X20     |
| 10.7       | 0.065.1141.0    | 1  | special bushing 59X55X30     |
| 10.8       | 0.014.1340.0/10 | 1  | pin mm 85                    |
| 11         | 0.066.1152.0/10 | 4  | gasket                       |
| 14         | 2.1549.154.2    | 3  | bush 4.8x5.8x16              |
| 20         | 2.1470.004.2    | 4  | lock washer 8                |
| 24         | 2.3120.101.0    | 1  | plug m 18 p.1.5              |
| 25         | 0.013.4946.0/10 | 1  | sprayer nozzle               |
| 26         | 2.1560.014.0    | 1  | washer 18.2 x 24             |

**MONOBLOC ENGINE-GEARBOX CONNECTING FLANGE**

| Fig. | P/n | QTY | Name |
|------|-----|-----|------|
|------|-----|-----|------|

**Notes:**FOR ENGINES PRODUCED IN : TREVIGLIO ITALY [DORADO<sup>3</sup> 70 -> ZKDV1902W0TS15001]

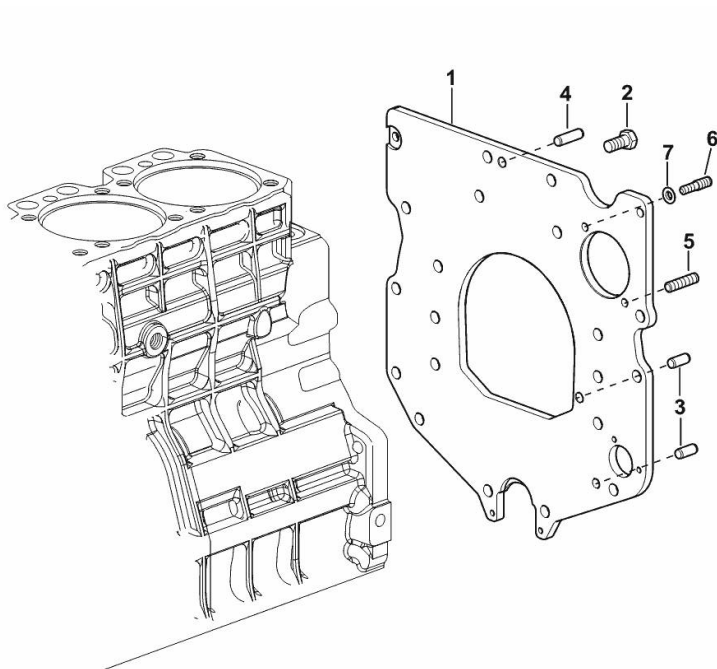
|   |                 |   |                                   |
|---|-----------------|---|-----------------------------------|
| 1 | 0.007.7752.0/30 | 1 | flange                            |
| 2 | 2.0112.511.2    | 8 | screw m 14 p.2 x 30               |
| 3 | 2.1651.912.0    | 2 | cylindrical plug 12x28            |
| 4 | 2.1651.917.0    | 1 | cylindrical plug 12x40            |
| 5 | 2.0432.257.7    | 1 | stud bolt m 12 p.1.75 - 1.25 x 30 |
| 6 | 2.0439.250.7    | 1 | stud bolt m 12 / m 10 x 30        |
| 7 | 0.011.9294.0/10 | 1 | bush                              |



9\_37311\_01\_0-A-001

**MONOBLOC ENGINE-GEARBOX CONNECTING FLANGE**

| Fig. | P/n | QTY | Name |
|------|-----|-----|------|
|------|-----|-----|------|

**Notes:**FOR ENGINES PRODUCED IN : RANIPET - INDIA [DORADO<sup>3</sup> 70 -> ZKDV1902W0TS15001]

|   |                 |   |                                   |
|---|-----------------|---|-----------------------------------|
| 1 | 0.007.7752.0/30 | 1 | flange                            |
| 2 | 2.0112.511.2    | 8 | screw m 14 p.2 x 30               |
| 3 | 2.1651.912.0    | 2 | cylindrical plug 12x28            |
| 4 | 2.1651.917.0    | 1 | cylindrical plug 12x40            |
| 5 | 2.0432.257.7    | 1 | stud bolt m 12 p.1.75 - 1.25 x 30 |
| 6 | 2.0439.250.7    | 1 | stud bolt m 12 / m 10 x 30        |
| 7 | 0.011.9294.0/10 | 1 | bush                              |

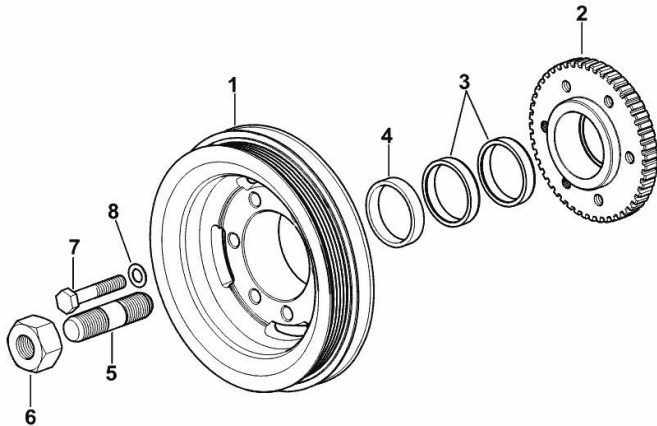
19\_N8911\_01\_0-A-001

**ENGINE CRANKSHAFT PULLEY WITH RING-FEEDER RINGS**

| Fig. | P/n | QTY | Name |
|------|-----|-----|------|
|------|-----|-----|------|

**Notes:**FOR ENGINES PRODUCED IN : TREVIGLIO ITALY [DORADO<sup>3</sup> 70 -> ZKDV1902W0TS15001]

|   |                 |   |                         |
|---|-----------------|---|-------------------------|
| 1 | 0.015.6055.0    | 1 | pulley                  |
| 2 | 0.011.3515.0/20 | 1 | hub Z = 48              |
| 3 | 0.065.1256.0    | 2 | ring 45x52              |
| 4 | 2.1579.865.0    | 1 | spacer 45.2x51.8x10     |
| 5 | 2.0439.195.7    | 1 | stud bolt m 20 p.1.5x80 |
| 6 | 2.1019.094.7    | 1 | nut m 20 p.1.5          |
| 7 | 2.0112.320.2    | 6 | screw m 10 p.1.5 x 55   |
| 8 | 2.1470.006.2    | 6 | lock washer 10          |



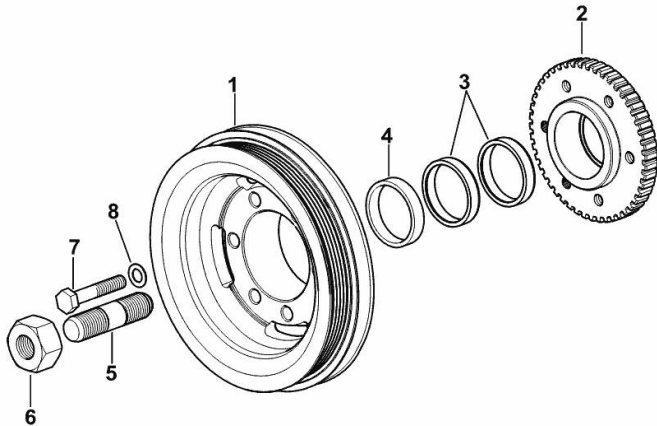
9\_O6312\_03\_0-A-001

**ENGINE CRANKSHAFT PULLEY WITH RING-FEEDER RINGS**

| Fig. | P/n | QTY | Name |
|------|-----|-----|------|
|------|-----|-----|------|

**Notes:**FOR ENGINES PRODUCED IN : RANIPET - INDIA [DORADO<sup>3</sup> 70 -> ZKDV1902W0TS15001]

|   |                 |   |                         |
|---|-----------------|---|-------------------------|
| 1 | 0.015.6055.0    | 1 | pulley                  |
| 2 | 0.011.3515.0/20 | 1 | hub Z = 48              |
| 3 | 0.065.1256.0    | 2 | ring 45x52              |
| 4 | 2.1579.865.0    | 1 | spacer 45.2x51.8x10     |
| 5 | 2.0439.195.7    | 1 | stud bolt m 20 p.1.5x80 |
| 6 | 2.1019.094.7    | 1 | nut m 20 p.1.5          |
| 7 | 2.0112.320.2    | 6 | screw m 10 p.1.5 x 55   |
| 8 | 2.1470.006.2    | 6 | lock washer 10          |



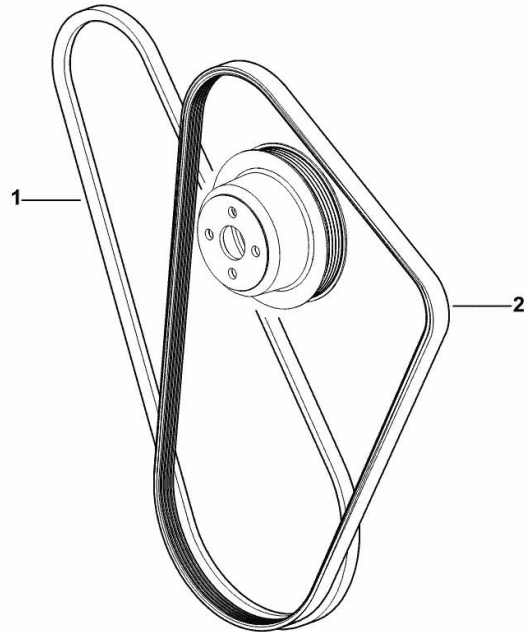
I9\_O6312\_03\_0-A-001

**COOLANT PUMP AND ALTERNATOR DRIVEBELT**

| Fig. | P/n | QTY | Name |
|------|-----|-----|------|
|------|-----|-----|------|

**Notes:**- FOR MODELS WITH COMPRESSOR [DORADO<sup>3</sup> 70 -> ZKDVI902W0TS15001]

|   |              |   |                         |
|---|--------------|---|-------------------------|
| 1 | 2.4119.143.0 | 1 | belt AV 12.7x1225 mm    |
| 2 | 2.4119.206.0 | 1 | belt PV-K5 17.4x1270 mm |



9\_O6617\_09\_0-A-001



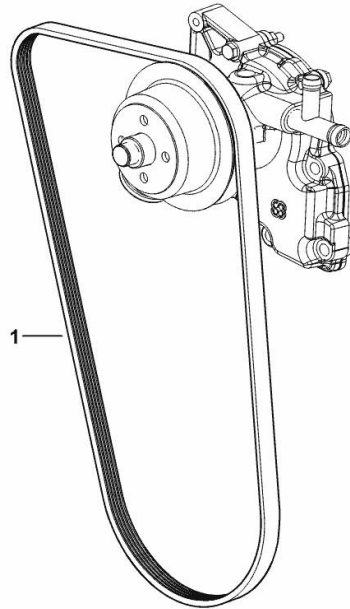
**COOLANT PUMP AND ALTERNATOR DRIVEBELT**

| Fig. | P/n | QTY | Name |
|------|-----|-----|------|
|------|-----|-----|------|

**Notes:**

[DORADO<sup>3</sup> 70 -> ZKDV1902W0TS15001] 15005 <-

|   |              |   |                         |
|---|--------------|---|-------------------------|
| 1 | 2.4119.188.0 | 1 | belt PV-K5 17.4x1275 mm |
|---|--------------|---|-------------------------|



9\_N1817\_09\_0-A-001

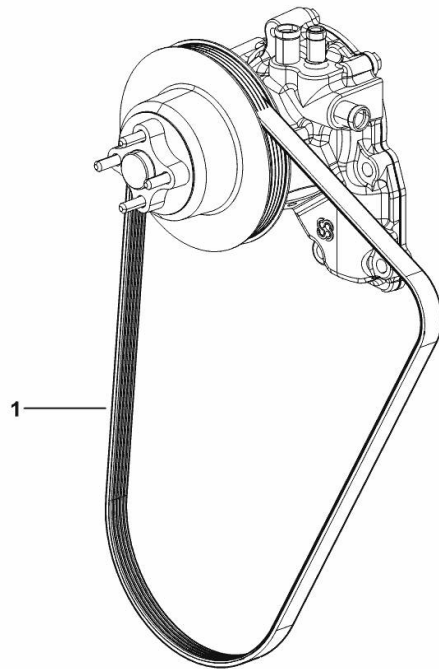
**COOLANT PUMP AND ALTERNATOR DRIVEBELT**

| Fig. | P/n | QTY | Name |
|------|-----|-----|------|
|------|-----|-----|------|

**Notes:**

[DORADO<sup>3</sup> 70 -> ZKDV1902W0TS15001] -> 15010

|   |              |   |                         |
|---|--------------|---|-------------------------|
| 1 | 2.4119.206.0 | 1 | belt PV-K5 17.4x1270 mm |
|---|--------------|---|-------------------------|



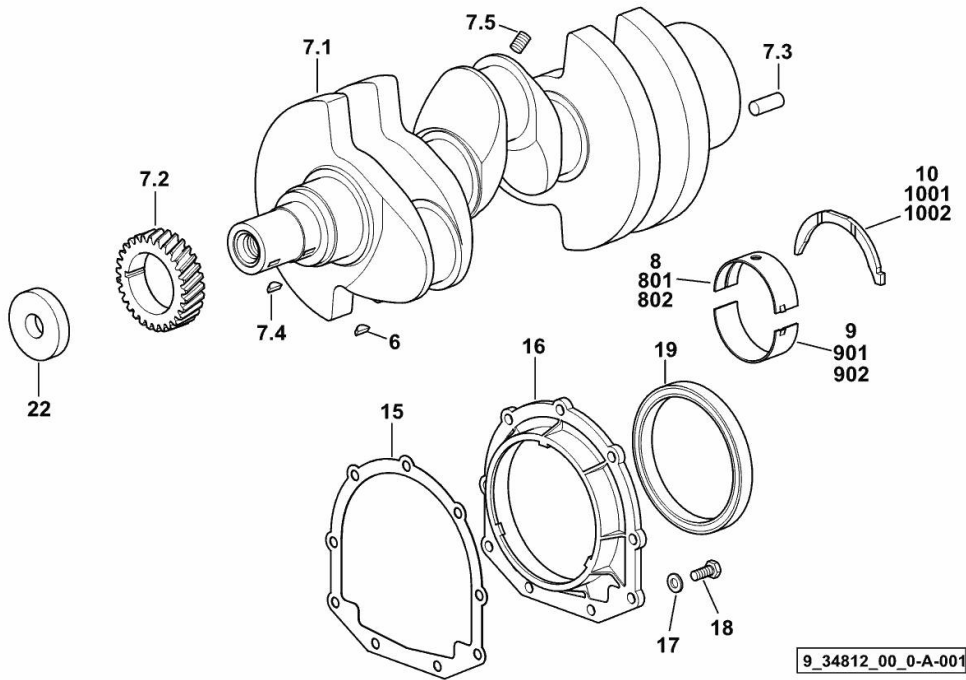
9\_K7417\_08\_0-A-001

**CRANKSHAFT**

| Fig. | P/n | QTY | Name |
|------|-----|-----|------|
|------|-----|-----|------|

**Notes:**

FOR ENGINES PRODUCED IN : TREVIGLIO ITALY [DORADO<sup>3</sup> 70 -> ZKDVI902W0TS15001] 15006 <-



|      |                 |   |                             |
|------|-----------------|---|-----------------------------|
| 6    | 2.1720.006.0    | 1 | key 4x6.5                   |
| 7.1  | 0.007.1554.0/20 | 1 | crankshaft                  |
| 7.2  | 0.065.1323.0/30 | 1 | gear Z = 29                 |
| 7.3  | 2.1651.915.0    | 1 | pin 12x35                   |
| 7.4  | 2.1720.006.0    | 1 | key 4x6.5                   |
| 7.5  | 2.3130.001.1    | 3 | plug 1/8" gas               |
| 8    | 0.065.1215.0/10 | 4 | main half bushing STANDARD  |
| 9    | 0.065.1216.0/10 | 4 | main half bushing STANDARD  |
| 10   | 0.065.1218.0    | 4 | shim STANDARD               |
| 15   | 0.065.1254.0/20 | 1 | gasket                      |
| 16   | 0.007.1711.0/10 | 1 | cover                       |
| 17   | 2.1475.002.2    | 9 | conical washer 8            |
| 18   | 2.0112.207.2    | 9 | screw m 8 p 1.25 x 20       |
| 19   | 2.1529.073.0    | 1 | special oil seal 110x130x13 |
| 22   | 2.1599.524.7    | 1 | washer 21x60x12             |
| 801  | 0.065.1215.7    |   | main half bushing - mm 0.25 |
| 802  | 0.065.1215.8    |   | main half bushing - mm 0.50 |
| 901  | 0.065.1216.7    |   | main half bushing - mm 0.25 |
| 902  | 0.065.1216.8    |   | main half bushing - mm 0.50 |
| 1001 | 0.065.1218.7    |   | shim + mm 0.10              |
| 1002 | 0.065.1218.8    |   | shim + mm 0.15              |

9\_34812\_00\_0-A-001

Thank you so much for reading.  
Please click the “Buy Now!”  
button below to download the  
complete manual.



After you pay.

You can download the most  
perfect and complete manual in  
the world immediately.

Our support email:

[ebooklibonline@outlook.com](mailto:ebooklibonline@outlook.com)