

Section: ENGINE

CRANKCASE

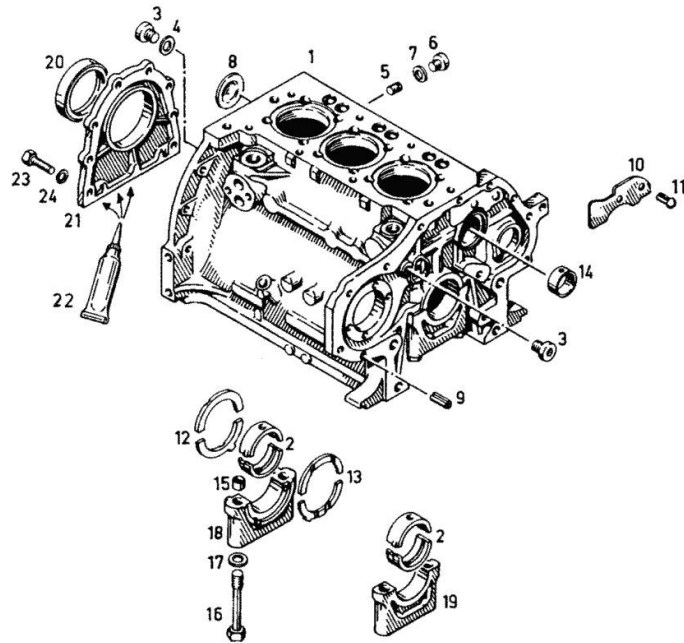
| Fig. | P/n | QTY | Name |
|--------------------------------|----------|-----|---|
| Notes: [DX 3 SC .30] | | | |
| 1 | 02230526 | 1 | crankcase ORDER FROM PICTURE NO. 3 TO 11 14 BIS 19 |
| 2 | 03362379 | 4 | bearing |
| 4 | 01118707 | 2 | ring 16 DIN 007603-A 16 X 22 -CU |
| 5 | 01215235 | 4 | plug |
| 6 | 01122350 | 3 | plug DIN 000908-M12X1,5-ST-OELGESC HW |
| 7 | 01118673 | 3 | oil seal DIN 007603-A 12 X 15,5-CU |
| 8 | 01216240 | 1 | disc |
| 9 | 01167266 | 2 | bush H 002341-B11X16 |
| 10 | 02231082 | 1 | plate |
| 11 | 01115333 | 2 | self tapping screw ISO 008746- 6 X10-ST -A4C |
| 12 | 02230181 | 1 | shim NORMAL 3.00 MM (0.1181 IN) OVERSIZE ITEM 956-959 UP TO ENG. NO. 5 162 175 EINB., 5 160 389 TRAKTOR, S.POS.964-968 |
| 13 | 02230170 | 1 | shim NORMAL 3.00 MM (0.1181 IN) OVERSIZE ITEM 960-963 UP TO ENG. NO. 5 162 175 EINB., 5 160 389 TRAKTOR, S.POS.969-973 |
| 14 | 02139737 | 1 | bushing |
| 15 | 03362279 | 8 | bushing |
| 16 | 01136990 | 8 | screw DIN 000931-BM14 X110 - 10.9 |
| 17 | 01216107 | 8 | washer 15x23x1,5 H 002308-15 X23X1,5 |
| 20 | 02234134 | 1 | oil seal |
| 21 | 02234786 | 1 | cover |
| 22 | 01016120 | 1 | compound 1 kg H 000699-DEUTZ DW 47- 310 ML |
| 23 | 01112322 | 8 | screw m 8 p.1.25 x 20 |



Kurbelgehäuse
Crankcase
Carter
Carter



0150-01-500 6748



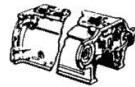
Section: ENGINE

CRANKCASE

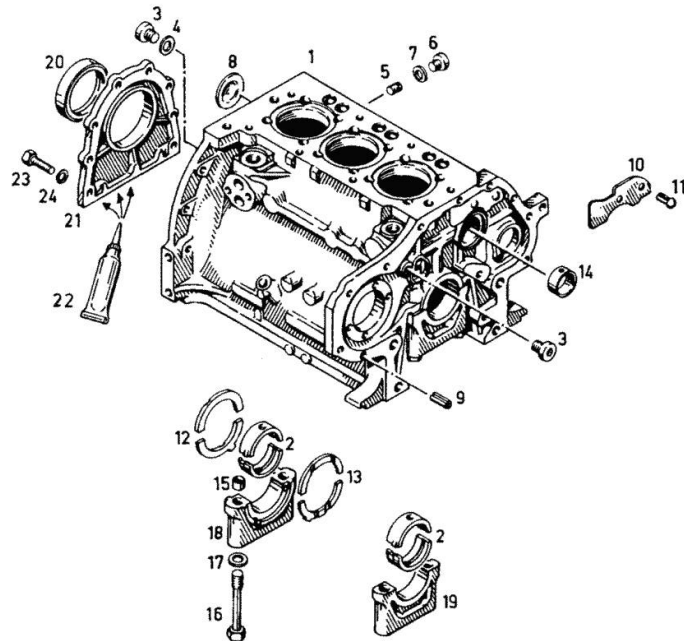
| Fig. | P/n | QTY | Name |
|------|----------|-----|--|
| 24 | 01102799 | 8 | ISO 004017-M 8 X 20 - 8.8-A4C washer 8, d128 |
| 950 | 03362380 | 4 | DIN 000128-A 8 -FST -A4C bearing 1.UNDERSIZE STEP 69.75 MM RD (2.7459 IN) |
| 951 | 03362381 | 4 | bearing 2.UNDERSIZE STEP 69.50 MM RD (2.7362 IN) |
| 952 | 03362382 | 4 | bearing 3.UNDERSIZE STEP 69.25 MM RD (2.7263 IN) |
| 953 | 03362383 | 4 | bearing 4.UNDERSIZE STEP 69.00 MM RD (2.7165 IN) |
| 954 | 03362384 | 4 | bearing 5.UNDERSIZE STEP 68.75 MM RD (2.7066 IN) |
| 955 | 03362385 | 4 | bearing 6.UNDERSIZE STEP 68.50 MM RD (2.6968 IN) |
| 956 | 02230182 | 1 | shim 1.OVERSIZ STEP 3.25 MM (0.1279 IN) |
| 957 | 02230183 | 1 | shim 2.OVERSIZ STEP 3.50 MM (0.1378 IN) |
| 958 | 02230184 | 1 | shim 3.OVERSIZ STEP 3.75 MM (0.1476 IN) |
| 959 | 02230185 | 1 | shim 4.OVERSIZ STEP 4.00 MM (0.1575 IN) |
| 960 | 02230172 | 1 | shim 1.OVERSIZ STEP 3.25 MM (0.1279 IN) |
| 961 | 02230173 | 1 | shim 2.OVERSIZ STEP 3.50 MM (0.1378 IN) |
| 962 | 02230174 | 1 | shim 3.OVERSIZ STEP 3.75 MM (0.1476 IN) |
| 963 | 02230175 | 1 | shim 4.OVERSIZ STEP 4.00 MM |



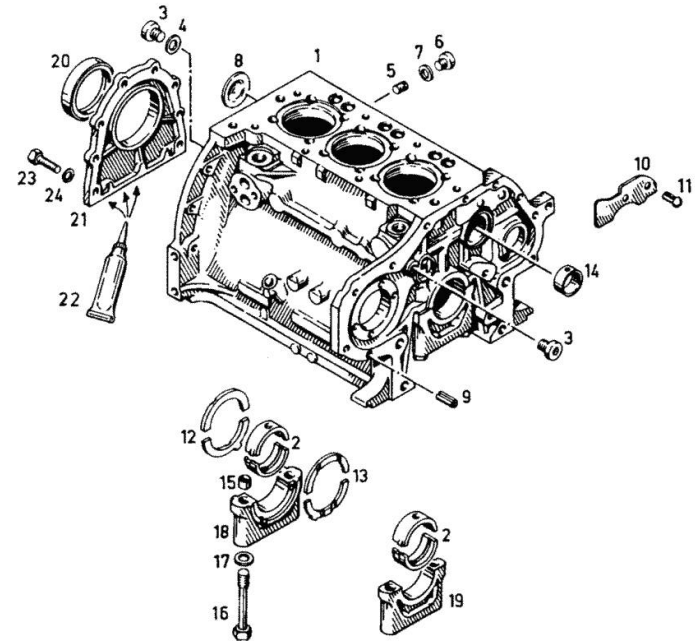
Kurbelgehäuse
Crankcase
Carter
Carter



0150-01-500 6748



Section: ENGINE
CRANKCASE



| Fig. | P/n | QTY | Name |
|------|----------|-----|----------------------------|
| | | | (0.1575 IN) |
| 964 | 02230176 | 1 | shim |
| | | | NORMAL 3.00MM (0.1181 IN.) |
| 965 | 02230177 | 1 | shim |
| | | | 1.OVERSIZ STEP 3.25MM |
| | | | (0.1279 IN.) |
| 966 | 02230178 | 1 | shim |
| | | | 2.OVERSIZ STEP 3.50MM |
| | | | (0,1378 IN.) |
| 967 | 02230179 | 1 | shim |
| | | | 3.OVERSIZ STEP 3.75MM |
| | | | (0,1476 IN.) |
| 968 | 02230180 | 1 | shim |
| | | | 4.OVERSIZ STEP 4.00MM |
| | | | (0,1575 IN.) |
| 969 | 02230164 | 1 | shim |
| | | | NORMAL 3.00MM (0.1181 IN.) |
| 970 | 02230166 | 1 | shim |
| | | | 1.OVERSIZ STEP 3.25MM |
| | | | (0.1279 IN.) |
| 971 | 02230167 | 1 | shim |
| | | | 2.OVERSIZ STEP 3.50MM |
| | | | (0,1378 IN.) |
| 972 | 02230168 | 1 | shim |
| | | | 3.OVERSIZ STEP 3.75MM |
| | | | (0,1476 IN.) |
| 973 | 02230169 | 1 | shim |
| | | | 4.OVERSIZ STEP 4.00MM |
| | | | (0,1575 IN.) |

Section: ENGINE

INTERMEDIATE GEAR BEARING

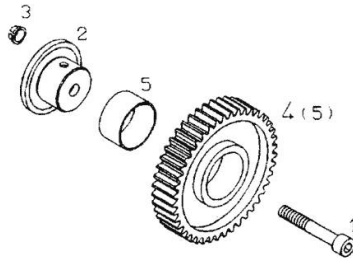
| Fig. | P/n | QTY | Name |
|--------------------------------|----------|-----|---|
| Notes: [DX 3 SC .30] | | | |
| 1 | 01110688 | 1 | screw DIN 000912- M10 X 60 -10.9-A4 C |
| 2 | 04156284 | 1 | pin |
| 3 | 04156283 | 1 | bush |
| 4 | 04153996 | 1 | gear wheel WITH ITEM 5 |
| 5 | 03362538 | 1 | bushing |



ZWISCHENRADLAGERUNG
IDLER GEAR BEARING
TOURILLON DE PIGNON INTERMEDIAIRE
SOPORTE PARA RUEDA INTERMEDIA

0150 -01- 0504 2796

1



Section: ENGINE

FRONT COVER

| Fig. | P/n | QTY | Name |
|------|-----|-----|------|
|------|-----|-----|------|

Notes:

[DX 3 SC .30]

| | | | |
|---|----------|---|---|
| 1 | 04158412 | 1 | cover |
| 2 | 01115459 | 1 | pin ISO 008752- 6 X 45 |
| 3 | 04150782 | 1 | special oil seal |
| 4 | 01166111 | 1 | oil seal H 002927- 80 X 3 -MVQ-1-50 |
| 5 | 01102396 | 1 | screw ISO 004017-M 8 X 8 - 8.8-A4C |
| 7 | 01016120 | 1 | compound 1 kg H 000699-DEUTZ DW 47- 310 ML |

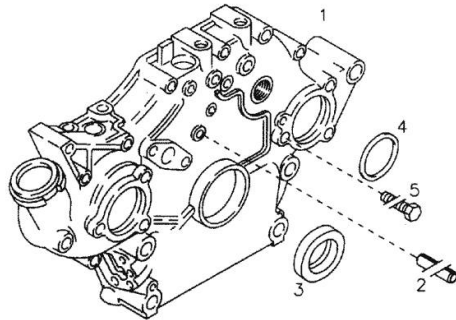
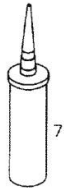


Vorderer Deckel
Front cover
Couvercle avant
Tapa delantera

Referenznr.:

0150 -01- 0500 4555

001



Section: ENGINE

FASTENINGS

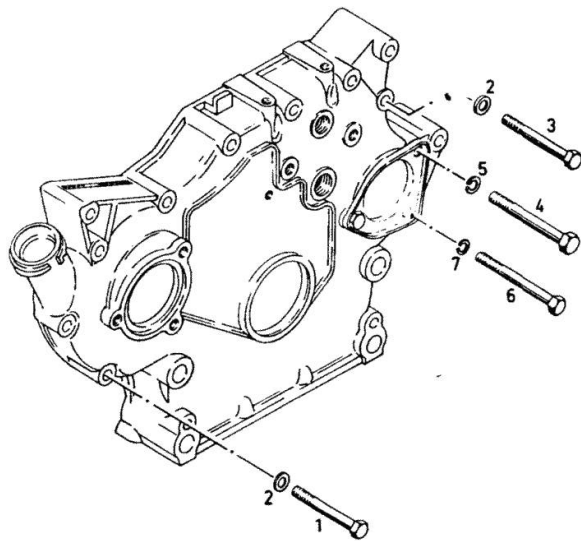
| Fig. | P/n | QTY | Name |
|--------------------------------|----------|-----|--|
| Notes: [DX 3 SC .30] | | | |
| 1 | 01127046 | 1 | screw m 8 x 60 ISO 004017-M 8 X 60 - 8.8-A4C |
| 2 | 01107101 | 3 | washer 8.4 DIN 000125-A 8,4-140HV-A4C |
| 3 | 01111179 | 2 | screw m 8 x 70, d931 ISO 004014- M 8 X 70 - 8.8-A4 C |
| 4 | 01111336 | 1 | screw m 10 x 75 DIN 000931- M10 X 75 - 8.8-A4 C |
| 5 | 01102800 | 1 | washer 10.2 DIN 000128-A 10 -FST -A4C |
| 6 | 01122399 | 1 | screw ISO 004014- M 8 X 85 - 8.8-A4 C |
| 7 | 01102799 | 1 | washer 8, d128 DIN 000128-A 8 -FST -A4C |



Befestigungsteile
Fastening parts
Pièces de fixation
Partes de fijación



0150-01-500 6842



Section: ENGINE

BLANKING PARTS

| Fig. | P/n | QTY | Name |
|------|-----|-----|------|
|------|-----|-----|------|

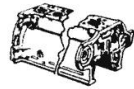
Notes:

[DX 3 SC .30]

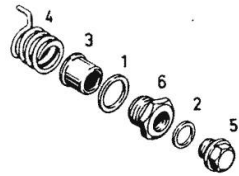
| | | | |
|---|----------|---|---|
| 1 | 01118750 | 1 | oil seal DIN 007603-A 24 X 30 -AL |
| 2 | 01118713 | 1 | washer 18.5 DIN 007603-A 18 X 22 -CU |
| 3 | 02135019 | 1 | tube |
| 4 | 02237638 | 1 | spring |
| 5 | 01118970 | 1 | plug m 18 p.1.5 DIN 007604-AM18X1,5 -ST-ZNPHR F |
| 6 | 02135685 | 1 | screw |



Verschlusssteile
Locking parts
Pièces de fermeture
Partes de cierre



0150-01-502 2887



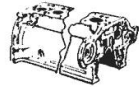
Section: ENGINE

SEALING COVER FOR INJECTION TIMING GEAR

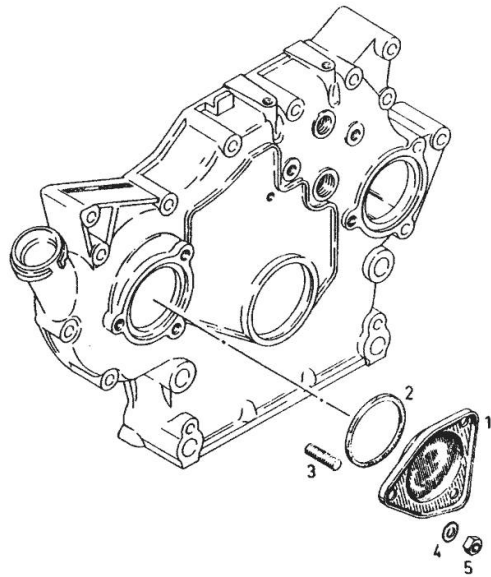
| Fig. | P/n | QTY | Name |
|---------------|----------|-----|---|
| Notes: | | | |
| [DX 3 SC .30] | | | |
| 1 | 04152404 | 1 | cover |
| 2 | 01166110 | 1 | ring H 002927- 80 X 3 -NBR-1-60 |
| 3 | 01178540 | 3 | screw H 002091- 835-M 8 X 16- 8.8-A 4C-MK-1,5D-BL |
| 4 | 01216143 | 3 | ring |
| 5 | 01112824 | 3 | nut m 8, d934 ISO 004032-M 8 - 8-A4C |



Verschlußdeckel für Spritzversteller
Cover for advance/retard unit
Couvercle pour avance automatique
Tapa de cierre para graduador de avance de inyección



0150-01-500 3331



Section: ENGINE

TUNNEL COVER

| Fig. | P/n | QTY | Name |
|------|-----|-----|------|
|------|-----|-----|------|

Notes:

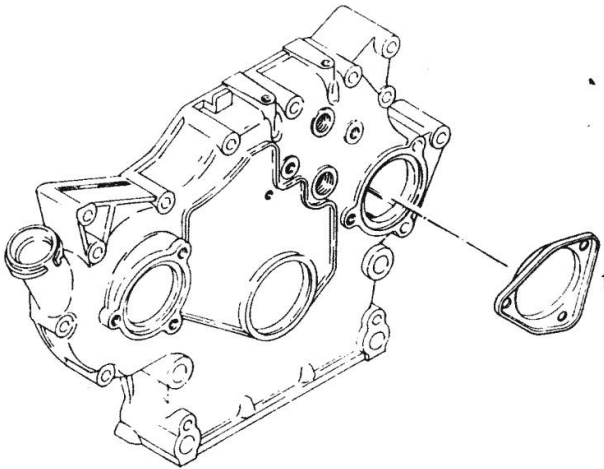
[DX 3 SC .30]

| | | | |
|---|----------|---|-------|
| 1 | 04152404 | 1 | cover |
|---|----------|---|-------|



Deckel
Cover
Couvercle
Tapa

0150-01-505 0218



INJECTION NOZZLE PIECE/CYL.- UNIT

| Fig. | P/n | QTY | Name |
|------|-----|-----|------|
|------|-----|-----|------|

Notes:
[DX 3 SC .30]

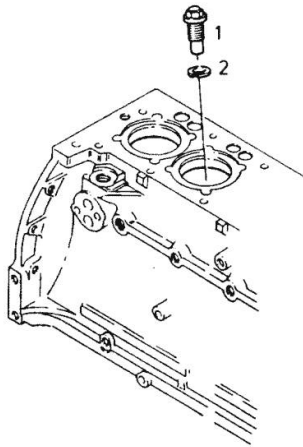
| | | | |
|---|----------|---|-------------------------------|
| 1 | 02239584 | 3 | nozzle |
| 2 | 01119611 | 3 | ring DIN 007980- 8-FST-A4C |



Sptzdüse
Spray nozzle
Pulversateur
Tobera de dispersión

Stück / Zyl. - Einheit
Pieces / cyl. unit
Qté / cylindre
Cantid. / unid. cilind.

0150 - 01 - 5037660



Section: ENGINE

BREATHER

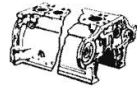
| Fig. | P/n | QTY | Name |
|------|-----|-----|------|
|------|-----|-----|------|

Notes:
[DX 3 SC .30]

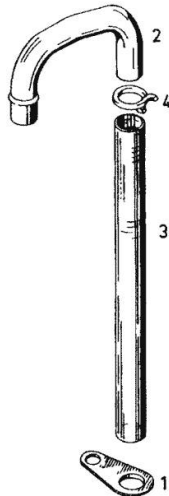
| | | | |
|---|----------|---|--|
| 1 | 02101292 | 1 | fan FOR MOTORS WITH HYDRAULIC PUMP |
| 2 | 02101937 | 1 | tube |
| 3 | 01388826 | | flexible hose H 007761-A25 X31 400 MM LG |
| 4 | 01163942 | 1 | clamp H 000735-SK 34 |



Entlüftung
Breather
Event
Ventilación



0150-01-500 3333



Thank you so much for reading.
Please click the “Buy Now!”
button below to download the
complete manual.



After you pay.

You can download the most
perfect and complete manual in
the world immediately.

Our support email:

ebooklibonline@outlook.com