

## Section: ENGINE

## CRANK CASE



Kurbelgehäuse  
Crankcase  
Carter  
Carter

0150—01—505 1134

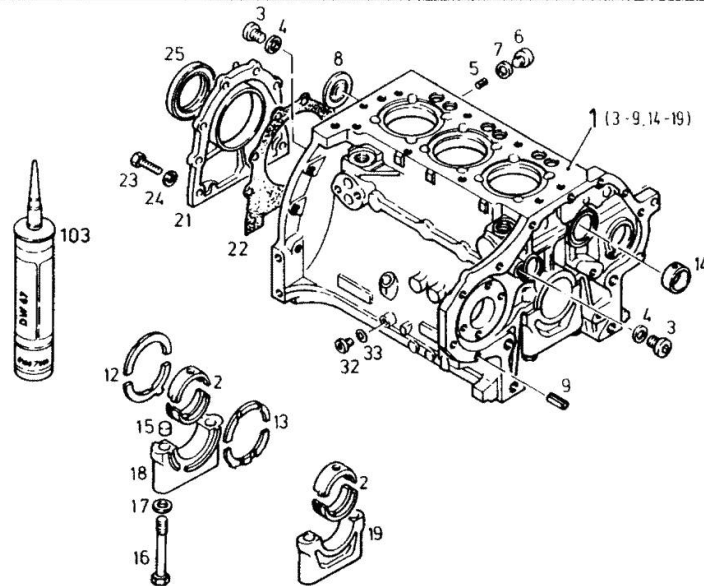


Fig.	P/n	QTY	Name
<b>Notes:</b> [DX 3 SC .50]			
1	04153988	1	crankcase WITH ITEM .... 03-09,14-19
2	03362379	4	bearing NORMAL ..(1).MM RD, FOR UNDERSIZED PART SEE ITEM.2 REPAIR BEARING FOR INSIDE AND OUTSIDE SEE ITEM(3) (1) 70,00 MM RD (2,7559 IN ) (2) 950-955 (3) 976
3	01214988	2	screw
4	01118707	2	ring 16 DIN 007603-A 16 X 22 -CU
5	01215235	4	plug
6	01110422	4	screw DIN 000908-M12X1,5-ST
7	01118673	4	oil seal DIN 007603-A 12 X 15,5-CU
8	01216240	1	disc
9	01167266	2	bush H 002341-B11X16
12	02230181	1	shim NORMAL (A) MM RD, FOR OVERSIZED PART SEE POS (B) 1. 3,00 MM 2. 956-959
13	02230170	1	shim NORMAL (A) MM RD, FOR OVERSIZED PART SEE POS (B) 1. 3,00 MM 2. 960-963
14	02139737	1	bushing
15	03362279	8	bushing
16	01136990	8	screw DIN 000931-BM14 X110 - 10.9
17	01216107	8	washer 15x23x1,5 H 002308-15 X23X1,5
21	02234870	1	cover
22	03362337	1	gasket
23	01112322	8	screw m 8 p.1.25 x 20

## Section: ENGINE

## CRANK CASE



Kurbelgehäuse  
Crankcase  
Carter  
Carter

0150—01—505 1134

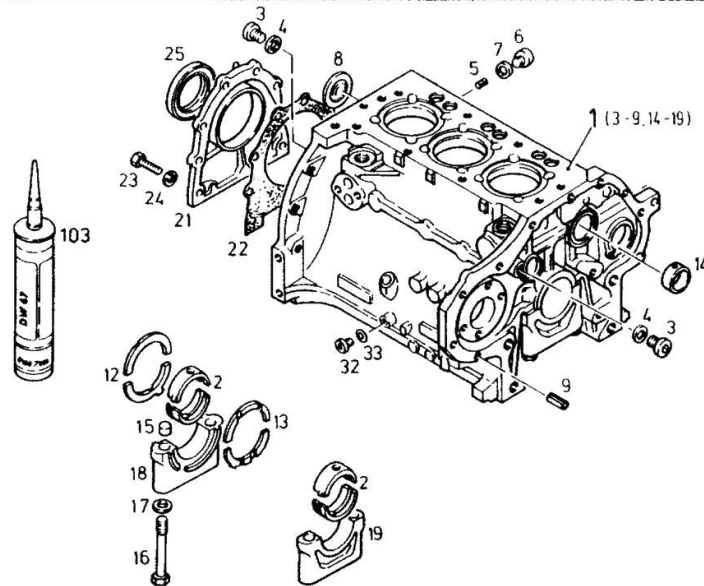


Fig.	P/n	QTY	Name
24	01107101	8	ISO 004017-M 8 X 20 - 8.8-A4C washer 8.4
25	04230392	1	DIN 000125-A 8,4-140HV-A4C special oil seal
32	01100371	1	screw DIN 007604-AM10X1 -ST-A4C
33	01118659	1	oil seal DIN 007603-A 10 X 13,5-CU
103	01016120		compound 1 kg H 000699-DEUTZ DW 47- 310 ML
950	03362380	4	bearing 1ST UNDERSIZE 69,75 MM
951	03362381	4	bearing 2ND UNDERSIZE 69,50 MM
952	03362382	4	bearing 3RD UNDERSIZE 69,25 MM
953	03362383	4	bearing 4TH UNDERSIZE 69,00 MM
954	03362384	4	bearing 5TH UNDERSIZE 68,75 MM
955	03362385	4	bearing 6TH UNDERSIZE 68,50 MM
956	02230182	1	shim 1ST OVERSIZE 3,25 MM
957	02230183	1	shim 2ND OVERSIZE 3,50 MM
958	02230184	1	shim 3RD OVERSIZE 3,75 MM
959	02230185	1	shim 4TH OVERSIZE 4,00 MM
960	02230172	1	shim 1ST OVERSIZE 3,25 MM
961	02230173	1	shim

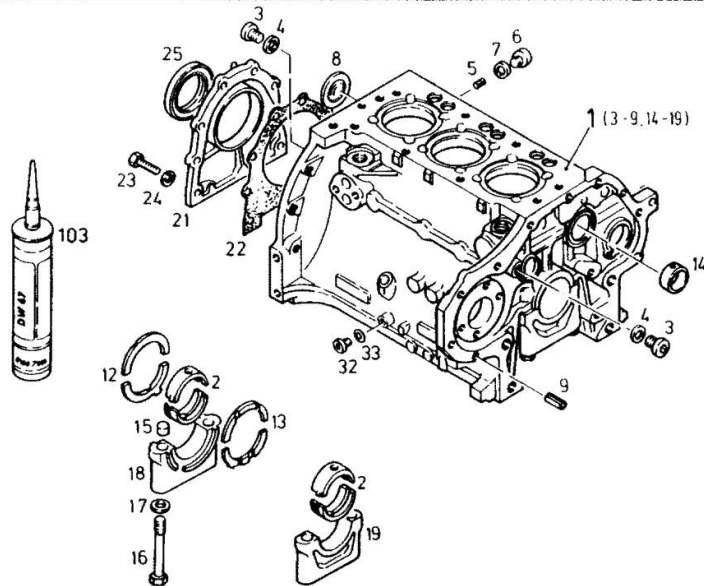
Section: ENGINE  
CRANK CASE

Fig.	P/n	QTY	Name
962	02230174	1	2ND OVERSIZE 3,50 MM shim
963	02230175	1	3RD OVERSIZE 3,75 MM shim
976	02233347	4	4TH OVERSIZE 4,00 MM bearing FOR INSIDE...(1)...MM FOR OUTSIDE...(2)...MM (1) 69,75 MM (2) 75,50 MM



Kurbelgehäuse  
Crankcase  
Carter  
Carter

0150—01—505 1134



Section: ENGINE

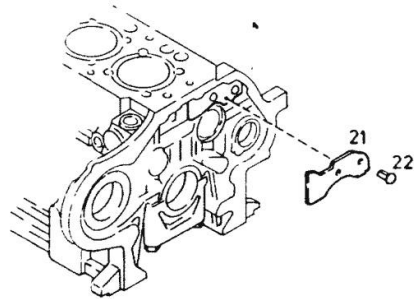
**BLANKING PARTS**

Fig.	P/n	QTY	Name
<b>Notes:</b>			
[DX 3 SC .50]			
21	02231082	1	plate UP TO MOTOR NO. (A) FROM ENGINE NO. SEE ITEM (B)
22	01115333	2	self tapping screw ISO 008746- 6 X10-ST -A4C
950	04156862	1	plate UP TO MOTOR NO. (A) FROM ENGINE NO. SEE ITEM (B)



Verschluss  
teile  
Locking parts  
Pieces de fermeture  
Partes de cierre

0150—01—504 2845



Section: ENGINE

**ACCESSORIES**

Fig.	P/n	QTY	Name
------	-----	-----	------

**Notes:**

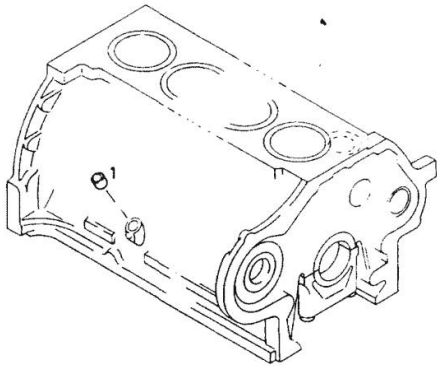
[DX 3 SC .50]

1	01167269	1	bush H 002341-B13X14
---	----------	---	-------------------------



Anbauteile  
Attachments  
Accessories  
Partes de adosamiento

0150-01-504 2878



Section: ENGINE

**INTERMEDIATE GEAR BEARING**

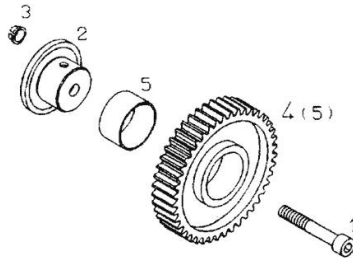
Fig.	P/n	QTY	Name
<b>Notes:</b> [DX 3 SC .50]			
1	01110688	1	screw DIN 000912- M10 X 60 -10.9-A4 C
2	04156284	1	pin
3	04156283	1	bush
4	04153996	1	gear wheel WITH ITEM .... 5
5	03362538	1	bushing



ZWISCHENRADLAGERUNG  
IDLER GEAR BEARING  
TOURILLON DE PIGNON INTERMEDIAIRE  
SOPORTE PARA RUEDA INTERMEDIA

0150 -01- 0504 2796

1



Section: ENGINE

**FRONT COVER**

Fig.	P/n	QTY	Name
------	-----	-----	------

**Notes:**

[DX 3 SC .50]

1	04158412	1	cover
2	01115459	1	pin ISO 008752- 6 X 45
3	04150782	1	special oil seal
4	01166111	1	oil seal H 002927- 80 X 3 -MVQ-1-50
5	01102396	1	screw ISO 004017-M 8 X 8 - 8.8-A4C
7	01016120	1	compound 1 kg H 000699-DEUTZ DW 47- 310 ML

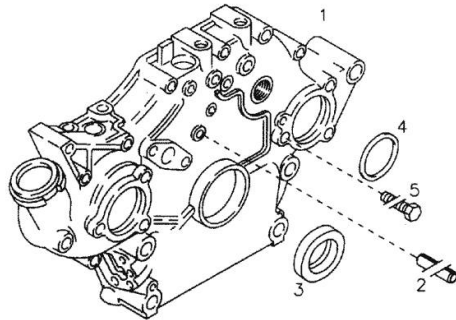


Vorderer Deckel  
Front cover  
Couvercle avant  
Tapa delantera

Referenznr.: 

0150 -01- 0500 4555

001



Section: ENGINE

**FASTENINGS**

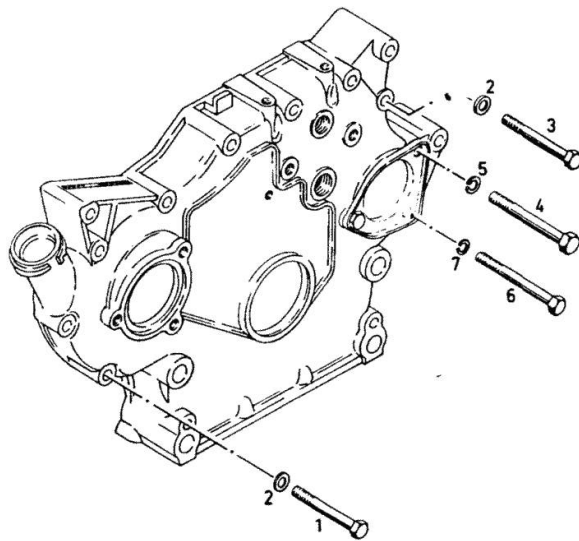
Fig.	P/n	QTY	Name
<b>Notes:</b> [DX 3 SC .50]			
1	01127046	1	screw m 8 x 60 ISO 004017-M 8 X 60 - 8.8-A4C
2	01107101	3	washer 8.4 DIN 000125-A 8,4-140HV-A4C
3	01111179	2	screw m 8 x 70, d931 ISO 004014- M 8 X 70 - 8.8-A4 C
4	01111336	1	screw m 10 x 75 DIN 000931- M10 X 75 - 8.8-A4 C
5	01102800	1	washer 10.2 DIN 000128-A 10 -FST -A4C
6	01122399	1	screw ISO 004014- M 8 X 85 - 8.8-A4 C
7	01102799	1	washer 8, d128 DIN 000128-A 8 -FST -A4C



Befestigungsteile  
Fastening parts  
Pièces de fixation  
Partes de fijación



0150-01-500 6842





Section: ENGINE

**BLANKING PARTS**

Fig.	P/n	QTY	Name
------	-----	-----	------

**Notes:**

[DX 3 SC .50]

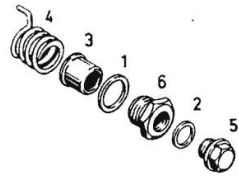
1	01118750	1	oil seal DIN 007603-A 24 X 30 -AL
2	01118713	1	washer 18.5 DIN 007603-A 18 X 22 -CU
3	02135019	1	tube
4	02237638	1	spring
5	01118970	1	plug m 18 p.1.5 DIN 007604-AM18X1,5 -ST-ZNPHR F
6	02135685	1	screw



Verschlusssteile  
Locking parts  
Pièces de fermeture  
Partes de cierre



0150-01-502 2887



Section: ENGINE

**SEALING COVER FOR INJECTION TIMING GEAR**

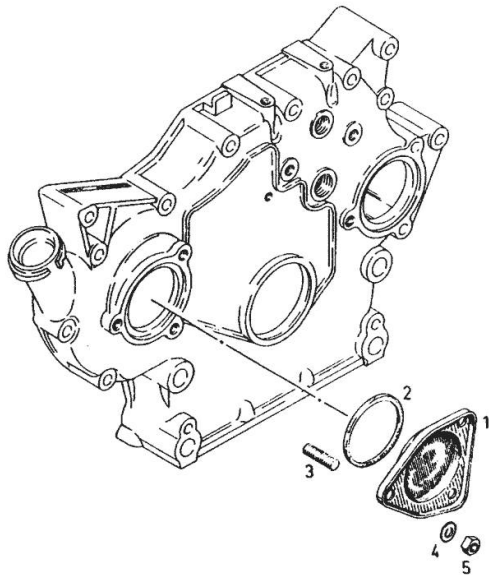
Fig.	P/n	QTY	Name
<b>Notes:</b>			
[DX 3 SC .50]			
1	04152404	1	cover
2	01166110	1	ring H 002927- 80 X 3 -NBR-1-60
3	01178540	3	screw H 002091- 835-M 8 X 16- 8.8-A 4C-MK-1,5D-BL
4	01216143	3	ring
5	01112824	3	nut m 8, d934 ISO 004032-M 8 - 8-A4C



Verschlußdeckel für Spritzversteller  
Cover for advance/retard unit  
Couvercle pour avance automatique  
Tapa de cierre para graduador de avance de inyección



0150-01-500 3331



Section: ENGINE

**TUNNEL COVER**

Fig.	P/n	QTY	Name
------	-----	-----	------

**Notes:**

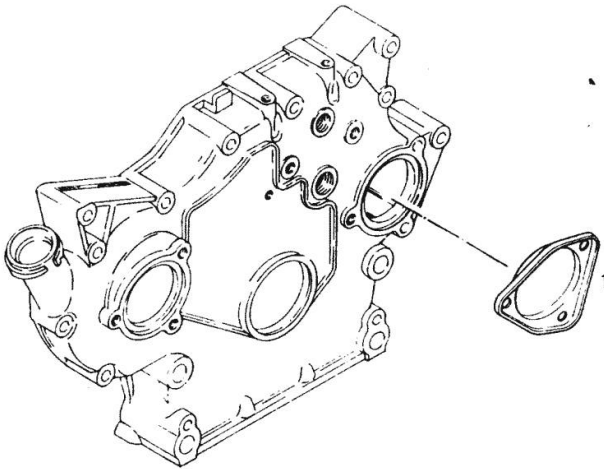
[DX 3 SC .50]

1	04152404	1	cover
---	----------	---	-------



Deckel  
Cover  
Couvercle  
Tapa

0150-01-505 0218



Thank you so much for reading.  
Please click the “Buy Now!”  
button below to download the  
complete manual.



After you pay.

You can download the most  
perfect and complete manual in  
the world immediately.

Our support email:

[ebooklibonline@outlook.com](mailto:ebooklibonline@outlook.com)