

Section: ENGINE

**CRANKCASE**

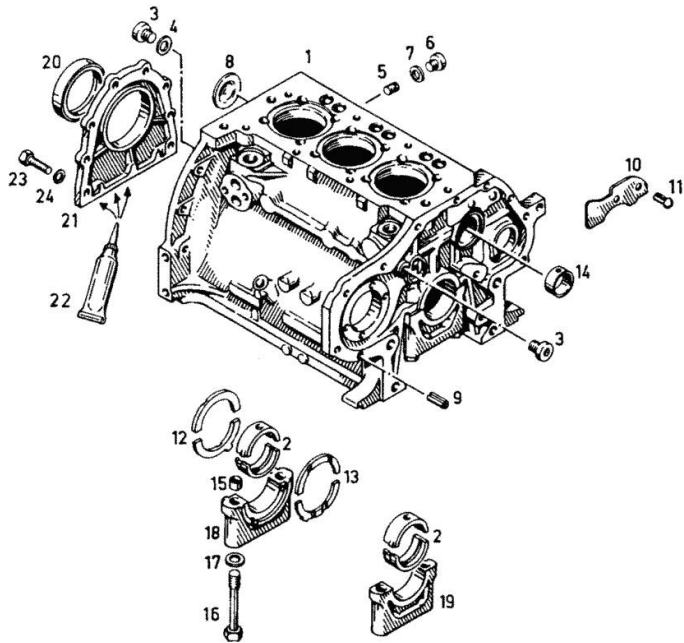
Fig.	P/n	QTY	Name
<b>Notes:</b> [DX 3 VC .30]			
1	02230526	1	crankcase ORDER FROM PICTURE NO. 3 TO 11 14 BIS 19
2	03362379	4	bearing
4	01118707	2	ring 16 DIN 007603-A 16 X 22 -CU
5	01215235	4	plug
6	01122350	3	plug DIN 000908-M12X1,5-ST-OELGESC HW
7	01118673	3	oil seal DIN 007603-A 12 X 15,5-CU
8	01216240	1	disc
9	01167266	2	bush H 002341-B11X16
10	02231082	1	plate
11	01115333	2	self tapping screw ISO 008746- 6 X10-ST -A4C
12	02230181	1	shim NORMAL 3.00 MM (0.1181 IN) OVERSIZE ITEM 956-959 UP TO ENG. NO. 5 162 175 EINB., 5 160 389 TRAKTOR, S.POS.964-968
13	02230170	1	shim NORMAL 3.00 MM (0.1181 IN) OVERSIZE ITEM 960-963 UP TO ENG. NO. 5 162 175 EINB., 5 160 389 TRAKTOR, S.POS.969-973
14	02139737	1	bushing
15	03362279	8	bushing
16	01136990	8	screw DIN 000931-BM14 X110 - 10.9
17	01216107	8	washer 15x23x1,5 H 002308-15 X23X1,5
20	02234134	1	oil seal
21	02234786	1	cover
22	01016120	1	compound 1 kg H 000699-DEUTZ DW 47- 310 ML
23	01112322	8	screw m 8 p.1.25 x 20



Kurbelgehäuse  
Crankcase  
Carter  
Carter



0150-01-500 6748



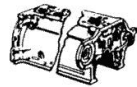
Section: ENGINE

**CRANKCASE**

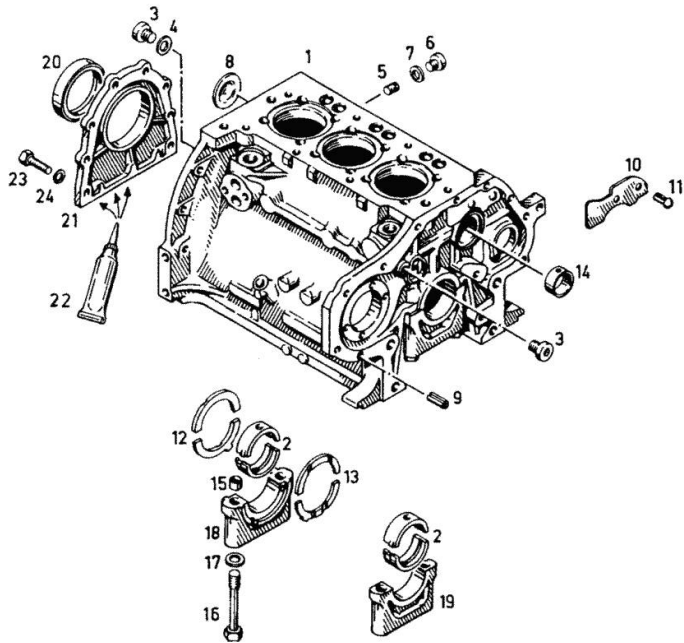
Fig.	P/n	QTY	Name
24	01102799	8	ISO 004017-M 8 X 20 - 8.8-A4C washer 8, d128
950	03362380	4	DIN 000128-A 8 -FST -A4C bearing 1.UNDERSIZE STEP 69.75 MM RD (2.7459 IN)
951	03362381	4	bearing 2.UNDERSIZE STEP 69.50 MM RD (2.7362 IN)
952	03362382	4	bearing 3.UNDERSIZE STEP 69.25 MM RD (2.7263 IN)
953	03362383	4	bearing 4.UNDERSIZE STEP 69.00 MM RD (2.7165 IN)
954	03362384	4	bearing 5.UNDERSIZE STEP 68.75 MM RD (2.7066 IN)
955	03362385	4	bearing 6.UNDERSIZE STEP 68.50 MM RD (2.6968 IN)
956	02230182	1	shim 1.OVERSIZ STEP 3.25 MM (0.1279 IN)
957	02230183	1	shim 2.OVERSIZ STEP 3.50 MM (0.1378 IN)
958	02230184	1	shim 3.OVERSIZ STEP 3.75 MM (0.1476 IN)
959	02230185	1	shim 4.OVERSIZ STEP 4.00 MM (0.1575 IN)
960	02230172	1	shim 1.OVERSIZ STEP 3.25 MM (0.1279 IN)
961	02230173	1	shim 2.OVERSIZ STEP 3.50 MM (0.1378 IN)
962	02230174	1	shim 3.OVERSIZ STEP 3.75 MM (0.1476 IN)
963	02230175	1	shim 4.OVERSIZ STEP 4.00 MM



Kurbelgehäuse  
Crankcase  
Carter  
Carter



0150-01-500 6748



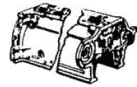
Section: ENGINE

**CRANKCASE**

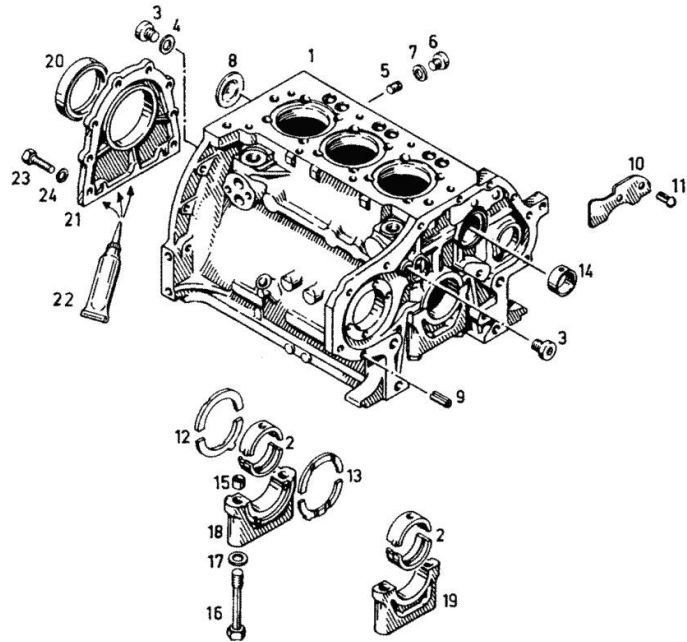
Fig.	P/n	QTY	Name
			(0,1575 IN.)
964	02230176	1	shim NORMAL 3.00MM (0.1181 IN.)
965	02230177	1	shim 1.OVERSIZ STEP 3.25MM (0.1279 IN.)
966	02230178	1	shim 2.OVERSIZ STEP 3.50MM (0,1378 IN.)
967	02230179	1	shim 3.OVERSIZ STEP 3.75MM (0,1476 IN.)
968	02230180	1	shim 4.OVERSIZ STEP 4.00MM (0,1575 IN.)
969	02230164	1	shim NORMAL 3.00MM (0.1181 IN.)
970	02230166	1	shim 1.OVERSIZ STEP 3.25MM (0.1279 IN.)
971	02230167	1	shim 2.OVERSIZ STEP 3.50MM (0,1378 IN.)
972	02230168	1	shim 3.OVERSIZ STEP 3.75MM (0,1476 IN.)
973	02230169	1	shim 4.OVERSIZ STEP 4.00MM (0,1575 IN.)



Kurbelgehäuse  
Crankcase  
Carter  
Carter



0150-01-500 6748



Section: ENGINE

**INTERMEDIATE GEAR BEARING**

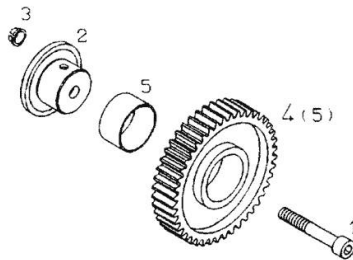
Fig.	P/n	QTY	Name
<b>Notes:</b> [DX 3 VC .30]			
1	01110688	1	screw DIN 000912- M10 X 60 -10.9-A4 C
2	04156284	1	pin
3	04156283	1	bush
4	04153996	1	gear wheel WITH ITEM .... 5
5	03362538	1	bushing



ZWISCHENRADLAGERUNG  
IDLER GEAR BEARING  
TOURILLON DE PIGNON INTERMEDIAIRE  
SOPORTE PARA RUEDA INTERMEDIA

0150 -01- 0504 2796

1



Section: ENGINE

**FRONT COVER**

Fig.	P/n	QTY	Name
------	-----	-----	------

**Notes:**

[DX 3 VC .30]

1	04158412	1	cover
2	01115459	1	pin ISO 008752- 6 X 45
3	04150782	1	special oil seal
4	01166111	1	oil seal H 002927- 80 X 3 -MVQ-1-50
5	01102396	1	screw ISO 004017-M 8 X 8 - 8.8-A4C
7	01016120	1	compound 1 kg H 000699-DEUTZ DW 47- 310 ML

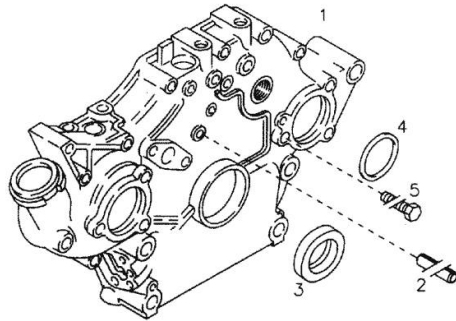


Vorderer Deckel  
Front cover  
Couvercle avant  
Tapa delantera

Referenznr.: 

0150 -01- 0500 4555

001



Section: ENGINE

**FASTENINGS**

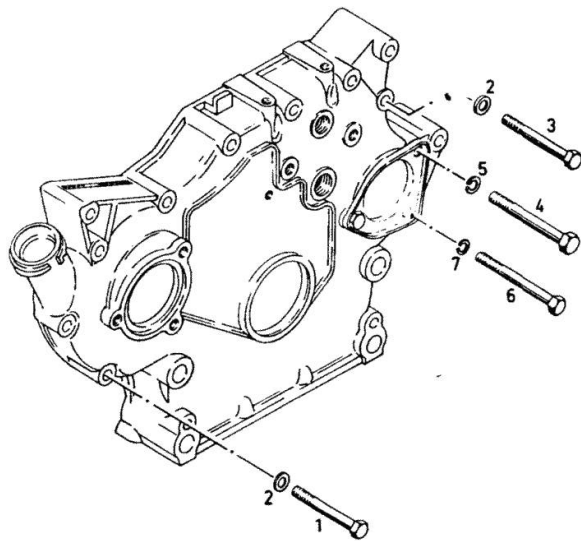
Fig.	P/n	QTY	Name
<b>Notes:</b> [DX 3 VC .30]			
1	01127046	1	screw m 8 x 60 ISO 004017-M 8 X 60 - 8.8-A4C
2	01107101	3	washer 8.4 DIN 000125-A 8,4-140HV-A4C
3	01111179	2	screw m 8 x 70, d931 ISO 004014- M 8 X 70 - 8.8-A4 C
4	01111336	1	screw m 10 x 75 DIN 000931- M10 X 75 - 8.8-A4 C
5	01102800	1	washer 10.2 DIN 000128-A 10 -FST -A4C
6	01122399	1	screw ISO 004014- M 8 X 85 - 8.8-A4 C
7	01102799	1	washer 8, d128 DIN 000128-A 8 -FST -A4C



Befestigungsteile  
Fastening parts  
Pièces de fixation  
Partes de fijación



0150-01-500 6842



**INJECTION NOZZLE PIECE/CYL.- UNIT**

Fig.	P/n	QTY	Name
------	-----	-----	------

**Notes:**

[DX 3 VC .30]

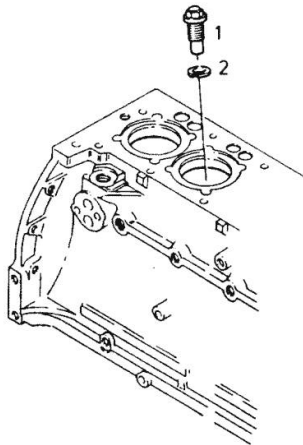
1	02239584	3	nozzle
2	01119611	3	ring DIN 007980- 8-FST-A4C



Sptzdüse  
Spray nozzle  
Pulversateur  
Tobera de dispersión

Stück / Zyl. - Einheit  
Pieces / cyl. unit  
Qté / cylindre  
Cantid. / unid. cilind.

0150 - 01 - 5037660



Section: ENGINE

**BLANKING PARTS**

Fig.	P/n	QTY	Name
------	-----	-----	------

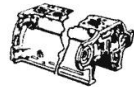
**Notes:**

[DX 3 VC .30]

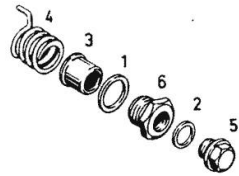
1	01118750	1	oil seal DIN 007603-A 24 X 30 -AL
2	01118713	1	washer 18.5 DIN 007603-A 18 X 22 -CU
3	02135019	1	tube
4	02237638	1	spring
5	01118970	1	plug m 18 p.1.5 DIN 007604-AM18X1,5 -ST-ZNPHR F
6	02135685	1	screw



Verschlusssteile  
Locking parts  
Pièces de fermeture  
Partes de cierre



0150-01-502 2887





Section: ENGINE

**SEALING COVER FOR INJECTION TIMING GEAR**

Fig.	P/n	QTY	Name
------	-----	-----	------

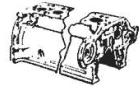
**Notes:**

[DX 3 VC .30]

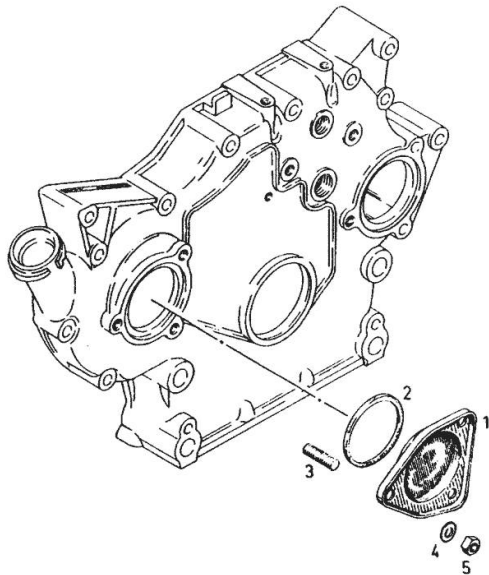
1	04152404	1	cover
2	01166110	1	ring H 002927- 80 X 3 -NBR-1-60
3	01178540	3	screw H 002091- 835-M 8 X 16- 8.8-A 4C-MK-1,5D-BL
4	01216143	3	ring
5	01112824	3	nut m 8, d934 ISO 004032-M 8 - 8-A4C



Verschlußdeckel für Spritzversteller  
Cover for advance/retard unit  
Couvercle pour avance automatique  
Tapa de cierre para graduador de avance de inyección



0150-01-500 3331



Section: ENGINE

**TUNNEL COVER**

Fig.	P/n	QTY	Name
------	-----	-----	------

**Notes:**

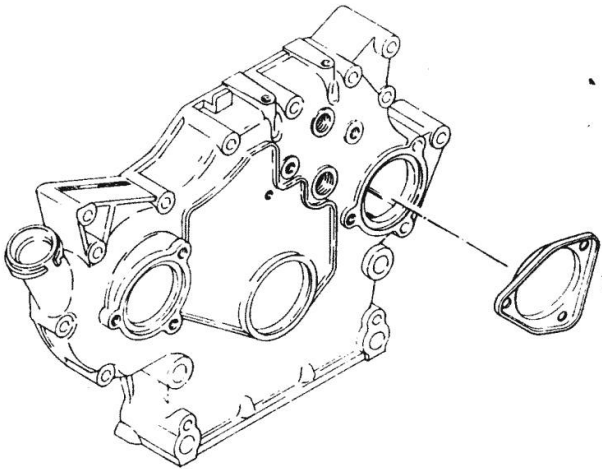
[DX 3 VC .30]

1	04152404	1	cover
---	----------	---	-------



Deckel  
Cover  
Couvercle  
Tapa

0150-01-505 0218



Section: ENGINE

**BREATHER**

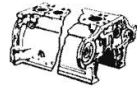
Fig.	P/n	QTY	Name
------	-----	-----	------

Notes:  
[DX 3 VC .30]

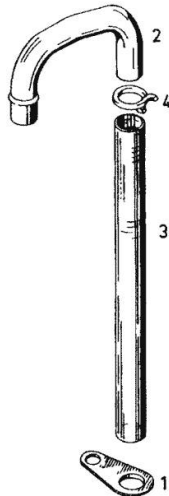
1	02101292	1	fan FOR MOTORS WITH HYDRAULIC PUMP
2	02101937	1	tube
3	01388826		flexible hose H 007761-A25 X31 400 MM LG
4	01163942	1	clamp H 000735-SK 34



Entlüftung  
Breather  
Event  
Ventilación



0150-01-500 3333



Thank you so much for reading.  
Please click the “Buy Now!”  
button below to download the  
complete manual.



After you pay.

You can download the most  
perfect and complete manual in  
the world immediately.

Our support email:

[ebooklibonline@outlook.com](mailto:ebooklibonline@outlook.com)