

Section: ENGINE

CRANK CASE



Kurbelgehäuse
Crankcase
Carter
Carter

0150—01—505 1134

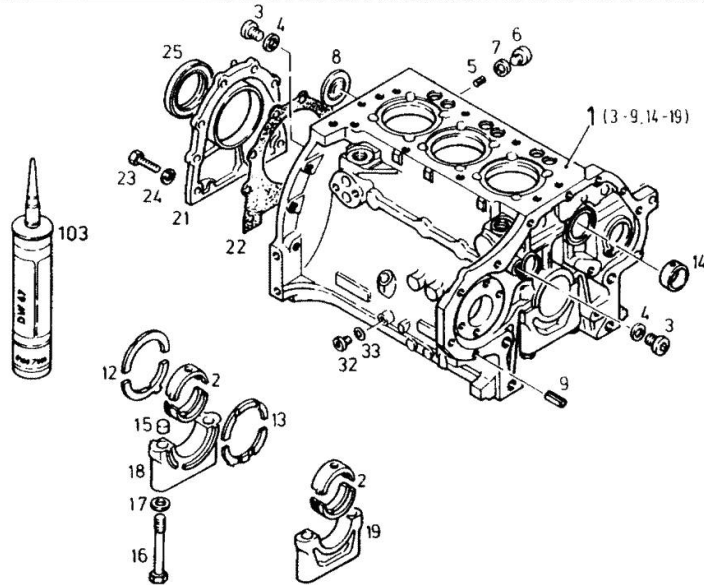


Fig.	P/n	QTY	Name
Notes: [DX 3 VC .50]			
1	04153988	1	crankcase WITH ITEM 03-09,14-19
2	03362379	4	bearing NORMAL ..(1).MM RD, FOR UNDERSIZED PART SEE ITEM.2 REPAIR BEARING FOR INSIDE AND OUTSIDE SEE ITEM(3) (1) 70,00 MM RD (2,7559 IN) (2) 950-955 (3) 976
3	01214988	2	screw
4	01118707	2	ring 16 DIN 007603-A 16 X 22 -CU
5	01215235	4	plug
6	01110422	4	screw DIN 000908-M12X1,5-ST
7	01118673	4	oil seal DIN 007603-A 12 X 15,5-CU
8	01216240	1	disc
9	01167266	2	bush H 002341-B11X16
12	02230181	1	shim NORMAL (A) MM RD, FOR OVERSIZED PART SEE POS (B) 1. 3,00 MM 2. 956-959
13	02230170	1	shim NORMAL (A) MM RD, FOR OVERSIZED PART SEE POS (B) 1. 3,00 MM 2. 960-963
14	02139737	1	bushing
15	03362279	8	bushing
16	01136990	8	screw DIN 000931-BM14 X110 - 10.9
17	01216107	8	washer 15x23x1,5 H 002308-15 X23X1,5
21	02234870	1	cover
22	03362337	1	gasket
23	01112322	8	screw m 8 p.1.25 x 20

Section: ENGINE

CRANK CASE



Kurbelgehäuse
Crankcase
Carter
Carter

0150—01—505 1134

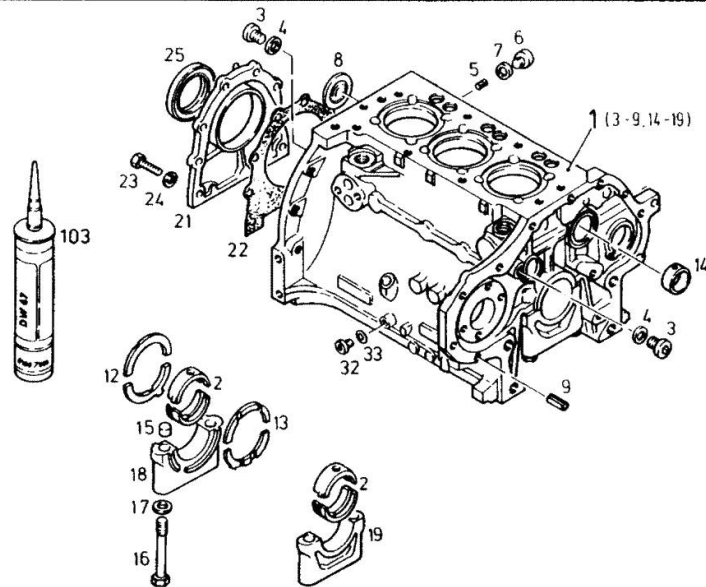


Fig.	P/n	QTY	Name
24	01107101	8	ISO 004017-M 8 X 20 - 8.8-A4C washer 8.4
25	04230392	1	DIN 000125-A 8,4-140HV-A4C special oil seal
32	01100371	1	screw DIN 007604-AM10X1 -ST-A4C
33	01118659	1	oil seal DIN 007603-A 10 X 13,5-CU
103	01016120		compound 1 kg H 000699-DEUTZ DW 47- 310 ML
950	03362380	4	bearing 1ST UNDERSIZE 69,75 MM
951	03362381	4	bearing 2ND UNDERSIZE 69,50 MM
952	03362382	4	bearing 3RD UNDERSIZE 69,25 MM
953	03362383	4	bearing 4TH UNDERSIZE 69,00 MM
954	03362384	4	bearing 5TH UNDERSIZE 68,75 MM
955	03362385	4	bearing 6TH UNDERSIZE 68,50 MM
956	02230182	1	shim 1ST OVERSIZE 3,25 MM
957	02230183	1	shim 2ND OVERSIZE 3,50 MM
958	02230184	1	shim 3RD OVERSIZE 3,75 MM
959	02230185	1	shim 4TH OVERSIZE 4,00 MM
960	02230172	1	shim 1ST OVERSIZE 3,25 MM
961	02230173	1	shim

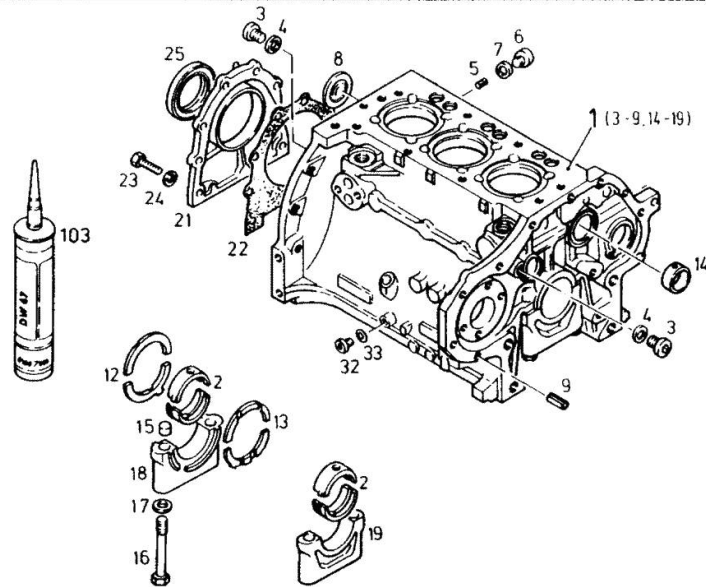
Section: ENGINE
CRANK CASE

Fig.	P/n	QTY	Name
962	02230174	1	2ND OVERSIZE 3,50 MM shim
963	02230175	1	3RD OVERSIZE 3,75 MM shim
976	02233347	4	4TH OVERSIZE 4,00 MM bearing FOR INSIDE...(1)...MM FOR OUTSIDE...(2)...MM (1) 69,75 MM (2) 75,50 MM



Kurbelgehäuse
 Crankcase
 Carter
 Carter

0150—01—505 1134



Section: ENGINE

INTERMEDIATE GEAR BEARING

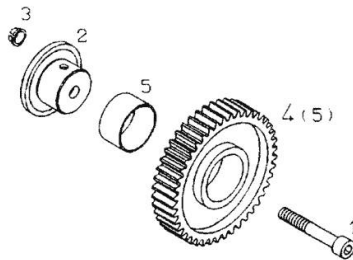
Fig.	P/n	QTY	Name
Notes:			
[DX 3 VC .50]			
1	01110688	1	screw DIN 000912- M10 X 60 -10.9-A4 C
2	04156284	1	pin
3	04156283	1	bush
4	04153996	1	gear wheel WITH ITEM 5
5	03362538	1	bushing



ZWISCHENRADLAGERUNG
 IDLER GEAR BEARING
 TOURILLON DE PIGNON INTERMEDIAIRE
 SOPORTE PARA RUEDA INTERMEDIA

0150 -01- 0504 2796

1



Section: ENGINE

FRONT COVER

Fig.	P/n	QTY	Name
------	-----	-----	------

Notes:

[DX 3 VC .50]

1	04158412	1	cover
2	01115459	1	pin ISO 008752- 6 X 45
3	04150782	1	special oil seal
4	01166111	1	oil seal H 002927- 80 X 3 -MVQ-1-50
5	01102396	1	screw ISO 004017-M 8 X 8 - 8.8-A4C
7	01016120	1	compound 1 kg H 000699-DEUTZ DW 47- 310 ML

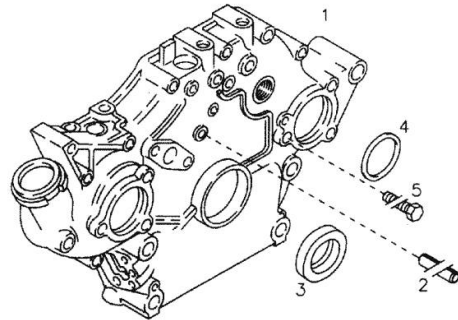


Vorderer Deckel
Front cover
Couvercle avant
Tapa delantera

Referenznr.:

0150 -01- 0500 4555

001



Section: ENGINE

FASTENINGS

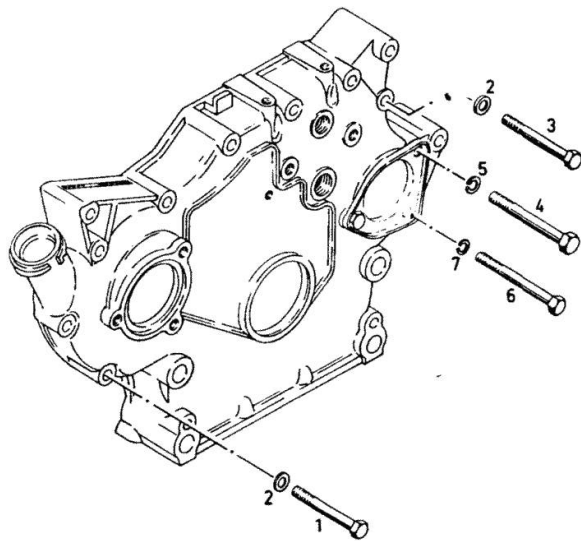
Fig.	P/n	QTY	Name
Notes:			
[DX 3 VC .50]			
1	01127046	1	screw m 8 x 60 ISO 004017-M 8 X 60 - 8.8-A4C
2	01107101	3	washer 8.4 DIN 000125-A 8,4-140HV-A4C
3	01111179	2	screw m 8 x 70, d931 ISO 004014- M 8 X 70 - 8.8-A4 C
4	01111336	1	screw m 10 x 75 DIN 000931- M10 X 75 - 8.8-A4 C
5	01102800	1	washer 10.2 DIN 000128-A 10 -FST -A4C
6	01122399	1	screw ISO 004014- M 8 X 85 - 8.8-A4 C
7	01102799	1	washer 8, d128 DIN 000128-A 8 -FST -A4C



Befestigungsteile
Fastening parts
Pièces de fixation
Partes de fijación



0150-01-500 6842



INJECTION NOZZLE PIECE/CYL.- UNIT

Fig.	P/n	QTY	Name
------	-----	-----	------

Notes:
[DX 3 VC .50]

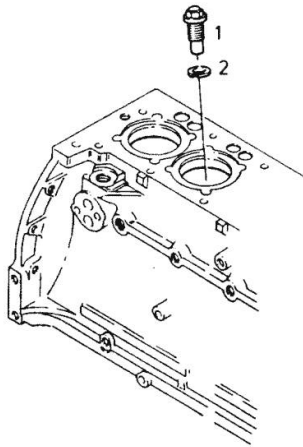
1	02239584	3	nozzle
2	01119611	3	ring DIN 007980- 8-FST-A4C



Sptzdüse
Spray nozzle
Pulversateur
Tobera de dispersión

Stück / Zyl. - Einheit
Pieces / cyl. unit
Qté / cylindre
Cantid. / unid. cilind.

0150 - 01 - 5037660



Section: ENGINE

BLANKING PARTS

Fig.	P/n	QTY	Name
------	-----	-----	------

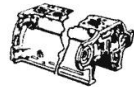
Notes:

[DX 3 VC .50]

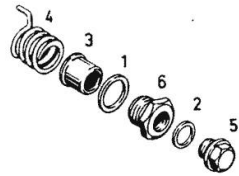
1	01118750	1	oil seal DIN 007603-A 24 X 30 -AL
2	01118713	1	washer 18.5 DIN 007603-A 18 X 22 -CU
3	02135019	1	tube
4	02237638	1	spring
5	01118970	1	plug m 18 p.1.5 DIN 007604-AM18X1,5 -ST-ZNPHR F
6	02135685	1	screw



Verschlusssteile
Locking parts
Pièces de fermeture
Partes de cierre



0150-01-502 2887



Section: ENGINE

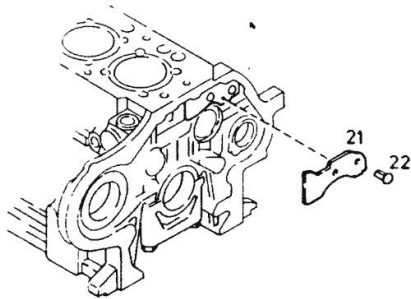
BLANKING PARTS

Fig.	P/n	QTY	Name
Notes:			
[DX 3 VC .50]			
21	02231082	1	plate UP TO MOTOR NO. (A) FROM ENGINE NO. SEE ITEM (B)
22	01115333	2	self tapping screw ISO 008746- 6 X10-ST -A4C
950	04156862	1	plate UP TO MOTOR NO. (A) FROM ENGINE NO. SEE ITEM (B)



Verschlußteile
Locking parts
Pieces de fermeture
Partes de cierre

0150—01—504 2845



Section: ENGINE

SEALING COVER FOR INJECTION TIMING GEAR

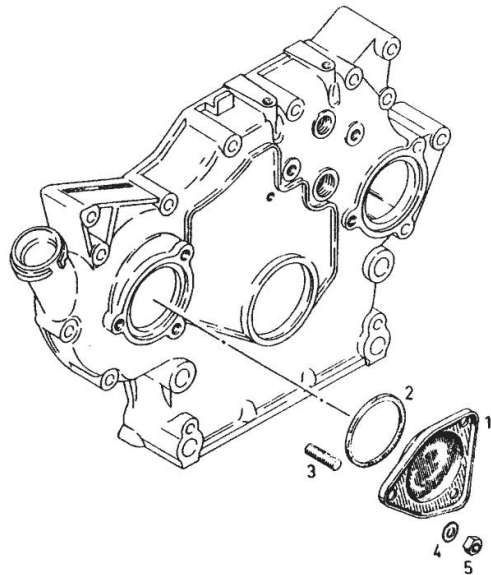
Fig.	P/n	QTY	Name
Notes:			
[DX 3 VC .50]			
1	04152404	1	cover
2	01166110	1	ring H 002927- 80 X 3 -NBR-1-60
3	01178540	3	screw H 002091- 835-M 8 X 16- 8.8-A 4C-MK-1,5D-BL
4	01216143	3	ring
5	01112824	3	nut m 8, d934 ISO 004032-M 8 - 8-A4C



Verschlußdeckel für Spritzversteller
Cover for advance/retard unit
Couvercle pour avance automatique
Tapa de cierre para graduador de avance de inyección



0150-01-500 3331



Section: ENGINE
ACCESSORIES

Fig.	P/n	QTY	Name
------	-----	-----	------

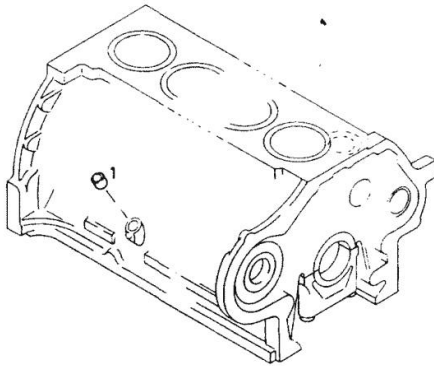
Notes:
[DX 3 VC .50]

1	01167269	1	bush H 002341-B13X14
---	----------	---	-------------------------



Anbauteile
Attachments
Accessories
Partes de adosamiento

0150-01-504 2878



Thank you so much for reading.
Please click the “Buy Now!”
button below to download the
complete manual.



After you pay.

You can download the most
perfect and complete manual in
the world immediately.

Our support email:

ebooklibonline@outlook.com