

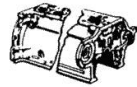
Section: ENGINE

CRANKCASE

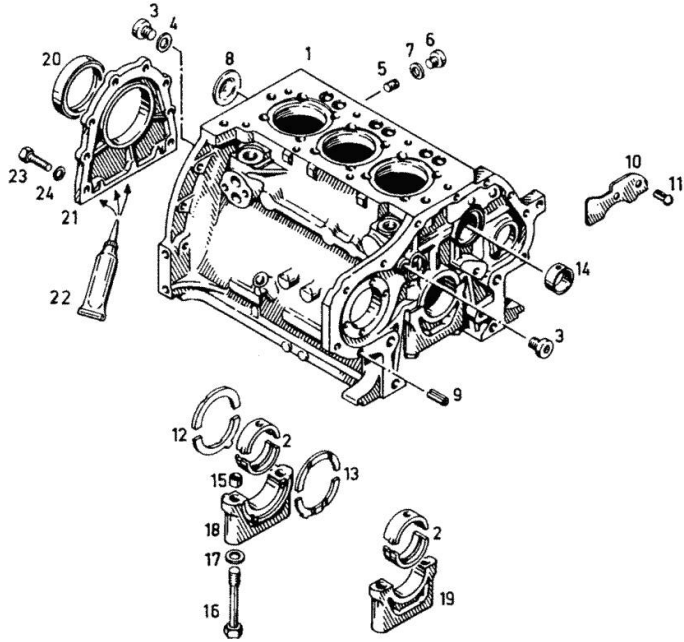
Fig.	P/n	QTY	Name
Notes: [DX 3 V/F/S .30 V/F]			
1	02230526	1	crankcase ORDER FROM PICTURE NO. 3 TO 11 14 BIS 19
2	03362379	4	bearing
4	01118707	2	ring 16 DIN 007603-A 16 X 22 -CU
5	01215235	4	plug
6	01122350	3	plug DIN 000908-M12X1,5-ST-OELGESC HW
7	01118673	3	oil seal DIN 007603-A 12 X 15,5-CU
8	01216240	1	disc
9	01167266	2	bush H 002341-B11X16
10	02231082	1	plate
11	01115333	2	self tapping screw ISO 008746- 6 X10-ST -A4C
12	02230181	1	shim NORMAL 3.00 MM (0.1181 IN) OVERSIZE ITEM 956-959 UP TO ENG. NO. 5 162 175 EINB., 5 160 389 TRAKTOR, S.POS.964-968
13	02230170	1	shim NORMAL 3.00 MM (0.1181 IN) OVERSIZE ITEM 960-963 UP TO ENG. NO. 5 162 175 EINB., 5 160 389 TRAKTOR, S.POS.969-973
14	02139737	1	bushing
15	03362279	8	bushing
16	01136990	8	screw DIN 000931-BM14 X110 - 10.9
17	01216107	8	washer 15x23x1,5 H 002308-15 X23X1,5
20	02234134	1	oil seal
21	02234786	1	cover
22	01016120	1	compound 1 kg H 000699-DEUTZ DW 47- 310 ML
23	01112322	8	screw m 8 p.l.25 x 20



Kurbelgehäuse
Crankcase
Carter
Carter



0150-01-500 6748



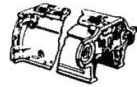
Section: ENGINE

CRANKCASE

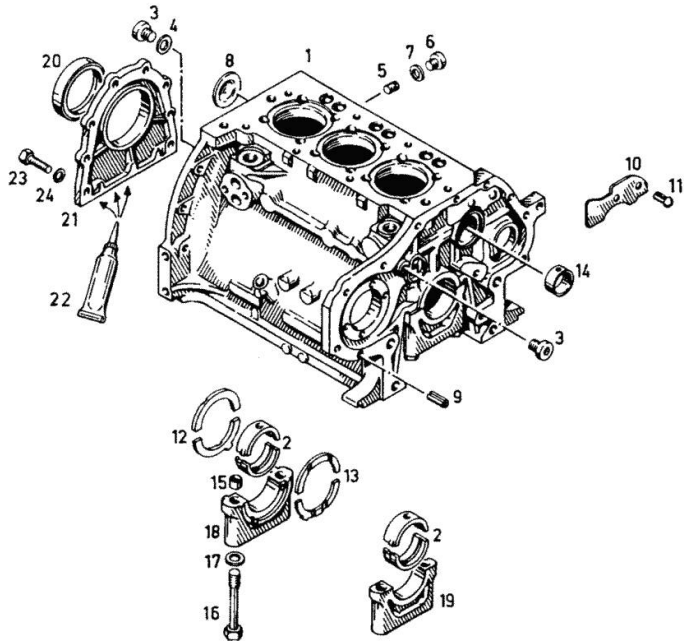
Fig.	P/n	QTY	Name
24	01102799	8	ISO 004017-M 8 X 20 - 8.8-A4C washer 8, d128
950	03362380	4	DIN 000128-A 8 -FST -A4C bearing 1.UNDERSIZE STEP 69.75 MM RD (2.7459 IN)
951	03362381	4	bearing 2.UNDERSIZE STEP 69.50 MM RD (2.7362 IN)
952	03362382	4	bearing 3.UNDERSIZE STEP 69.25 MM RD (2.7263 IN)
953	03362383	4	bearing 4.UNDERSIZE STEP 69.00 MM RD (2.7165 IN)
954	03362384	4	bearing 5.UNDERSIZE STEP 68.75 MM RD (2.7066 IN)
955	03362385	4	bearing 6.UNDERSIZE STEP 68.50 MM RD (2.6968 IN)
956	02230182	1	shim 1.OVERSIZ STEP 3.25 MM (0.1279 IN)
957	02230183	1	shim 2.OVERSIZ STEP 3.50 MM (0.1378 IN)
958	02230184	1	shim 3.OVERSIZ STEP 3.75 MM (0.1476 IN)
959	02230185	1	shim 4.OVERSIZ STEP 4.00 MM (0.1575 IN)
960	02230172	1	shim 1.OVERSIZ STEP 3.25 MM (0.1279 IN)
961	02230173	1	shim 2.OVERSIZ STEP 3.50 MM (0.1378 IN)
962	02230174	1	shim 3.OVERSIZ STEP 3.75 MM (0.1476 IN)
963	02230175	1	shim 4.OVERSIZ STEP 4.00 MM



Kurbelgehäuse
Crankcase
Carter
Carter



0150-01-500 6748

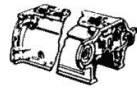


Section: ENGINE
CRANKCASE

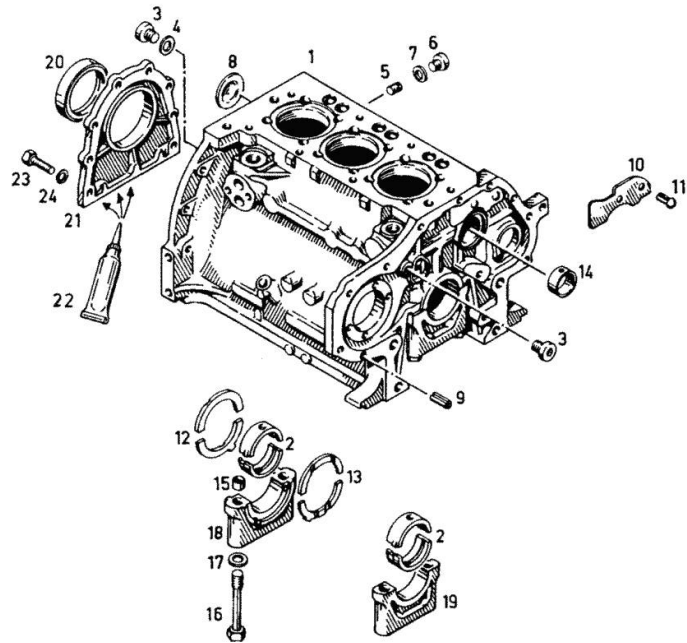
Fig.	P/n	QTY	Name
964	02230176	1	(0.1575 IN) shim NORMAL 3.00MM (0.1181 IN.)
965	02230177	1	shim 1.OVERSIZE STEP 3.25MM (0.1279 IN.)
966	02230178	1	shim 2.OVERSIZE STEP 3.50MM (0,1378 IN.)
967	02230179	1	shim 3.OVERSIZE STEP 3.75MM (0,1476 IN.)
968	02230180	1	shim 4.OVERSIZE STEP 4.00MM (0,1575 IN.)
969	02230164	1	shim NORMAL 3.00MM (0.1181 IN.)
970	02230166	1	shim 1.OVERSIZE STEP 3.25MM (0.1279 IN.)
971	02230167	1	shim 2.OVERSIZE STEP 3.50MM (0,1378 IN.)
972	02230168	1	shim 3.OVERSIZE STEP 3.75MM (0,1476 IN.)
973	02230169	1	shim 4.OVERSIZE STEP 4.00MM (0,1575 IN.)



Kurbelgehäuse
 Crankcase
 Carter
 Carter



0150-01-500 6748



Section: ENGINE

ACCESSORIES

Fig.	P/n	QTY	Name
------	-----	-----	------

Notes:

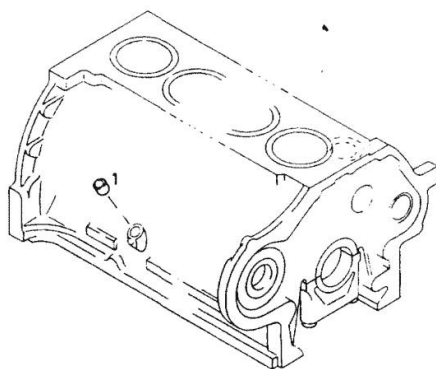
[DX 3 V/F/S .30 V/F]

1	01167269	1	bush H 002341-B13X14
---	----------	---	-------------------------



Anbauteile
Attachments
Accessories
Partes de adosamiento

0150-01-504 2878



Section: ENGINE

INTERMEDIATE GEAR BEARING

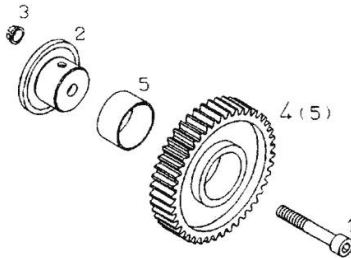
Fig.	P/n	QTY	Name
Notes:			
[DX 3 V/F/S .30 V/F]			
1	01110688	1	screw DIN 000912- M10 X 60 -10.9-A4 C
2	04156284	1	pin
3	04156283	1	bush
4	04153996	1	gear wheel WITH ITEM 5
5	03362538	1	bushing



ZWISCHENRADLAGERUNG
 IDLER GEAR BEARING
 TOURILLON DE PIGNON INTERMEDIAIRE
 SOPORTE PARA RUEDA INTERMEDIA

0150 -01- 0504 2796

1



Section: ENGINE

FRONT COVER

Fig.	P/n	QTY	Name
------	-----	-----	------

Notes:

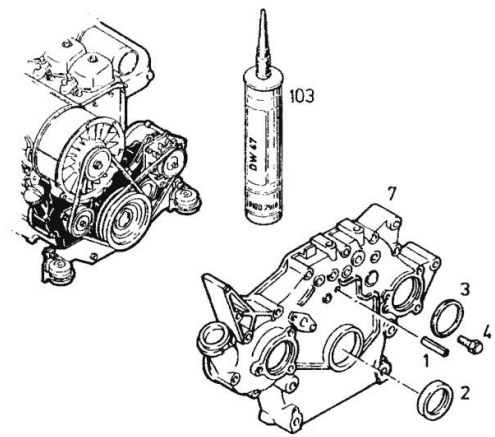
[DX 3 V/F/S .30 V/F]

1	01115451	1	stop ISO 008752- 6 X 20
2	04150782	1	special oil seal
3	01166111	1	oil seal H 002927- 80 X 3 -MVQ-1-50
4	01102396	32	screw ISO 004017-M 8 X 8 - 8.8-A4C
7	02136027	1	cover
103	01016120		compound 1 kg H 000699-DEUTZ DW 47- 310 ML



Vorderer Deckel
Front cover
Couvercle avant
Tapa delantera

0150-01-505 0487



Section: ENGINE

FASTENINGS

Fig.	P/n	QTY	Name
------	-----	-----	------

Notes:

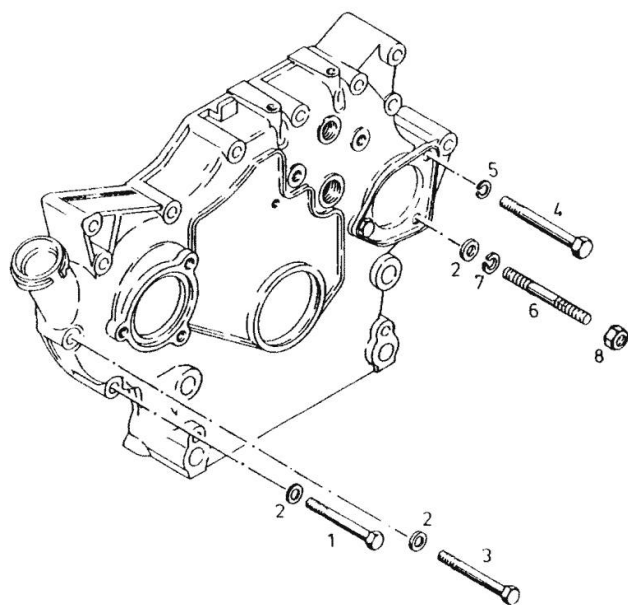
[DX 3 V/F/S .30 V/F]

1	01111179	1	screw m 8 x 70, d931 ISO 004014- M 8 X 70 - 8.8-A4 C
2	01107101	3	washer 8.4 DIN 000125-A 8,4-140HV-A4C
3	01112375	1	screw ISO 004017-M 8 X 80 - 8.8-A4C
4	01111336	1	screw m 10 x 75 DIN 000931- M10 X 75 - 8.8-A4 C
5	01102800	1	washer 10.2 DIN 000128-A 10 -FST -A4C
6	01110209	1	screw DIN 000835-M 8 SN4X 85 - 8.8- A4C
7	01102799	1	washer 8, d128 DIN 000128-A 8 -FST -A4C
8	01112824	1	nut m 8, d934 ISO 004032-M 8 - 8-A4C



Befestigungsteile
Fastening parts
Pièces de fixation
Partes de fijación

0150-01-505 0486



Section: ENGINE

INJECTION NOZZLE PIECE/CYL.- UNIT

Fig.	P/n	QTY	Name
------	-----	-----	------

Notes:

[DX 3 V/F/S .30 V/F]

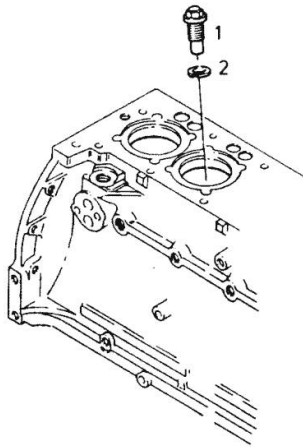
1	02239584	3	nozzle
2	01119611	3	ring DIN 007980- 8-FST-A4C



Sptzdüse
Spray nozzle
Pulversateur
Tobera de dispersión

Stück / Zyl. - Einheit
Pieces / cyl. unit
Qté / cylindre
Cantid. / unid. cilind.

0150 - 01 - 5037660



Section: ENGINE

BLANKING PARTS

Fig.	P/n	QTY	Name
------	-----	-----	------

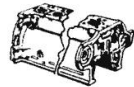
Notes:

[DX 3 V/F/S .30 V/F]

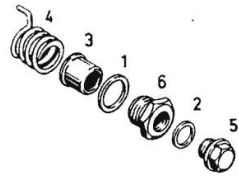
1	01118750	1	oil seal DIN 007603-A 24 X 30 -AL
2	01118713	1	washer 18.5 DIN 007603-A 18 X 22 -CU
3	02135019	1	tube
4	02237638	1	spring
5	01118970	1	plug m 18 p.1.5 DIN 007604-AM18X1,5 -ST-ZNPHR F
6	02135685	1	screw



Verschlusssteile
Locking parts
Pièces de fermeture
Partes de cierre



0150-01-502 2887



Section: ENGINE

SEALING COVER FOR INJECTION TIMING GEAR

Fig.	P/n	QTY	Name
------	-----	-----	------

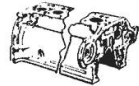
Notes:

[DX 3 V/F/S .30 V/F]

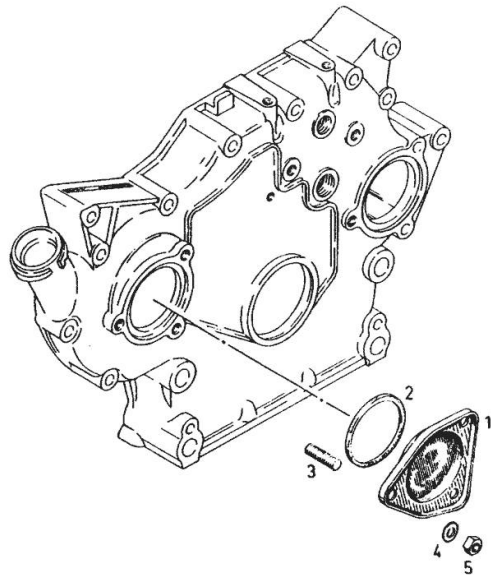
1	04152404	1	cover
2	01166110	1	ring H 002927- 80 X 3 -NBR-1-60
3	01178540	3	screw H 002091- 835-M 8 X 16- 8.8-A 4C-MK-1,5D-BL
4	01216143	3	ring
5	01112824	3	nut m 8, d934 ISO 004032-M 8 - 8-A4C



Verschlußdeckel für Spritzversteller
Cover for advance/retard unit
Couvercle pour avance automatique
Tapa de cierre para graduador de avance de inyección



0150-01-500 3331



Section: ENGINE

TUNNEL COVER

Fig.	P/n	QTY	Name
------	-----	-----	------

Notes:

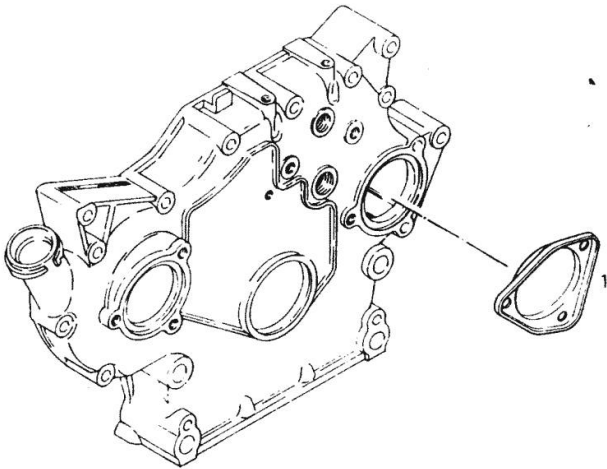
[DX 3 V/F/S .30 V/F]

1	04152404	1	cover
---	----------	---	-------



Deckel
Cover
Couvercle
Tapa

0150-01-505 0218



Thank you so much for reading.
Please click the “Buy Now!”
button below to download the
complete manual.



After you pay.

You can download the most
perfect and complete manual in
the world immediately.

Our support email:

ebooklibonline@outlook.com