

Section: ENGINE

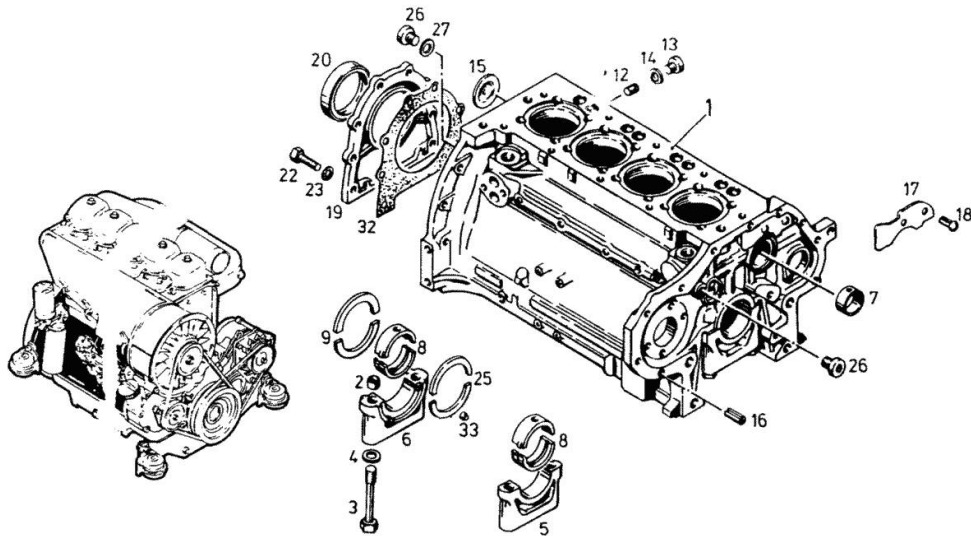
CRANK CASE Motor No. 7 615 055 <<

Fig.	P/n	QTY	Name
Notes:			
[DX 3 V/F/S .70 V/F]			
1	04150837	1	crankcase ORDER FROM PICTURE NO.2 TO 7 12 BIS 18,26,27,33
2	03362279	10	bushing
3	01136990	10	screw DIN 000931-BM14 X110 - 10.9
4	01216107	10	washer 15x23x1,5 H 002308-15 X23X1,5
7	02139737	1	bushing
8	03362379	5	bearing NORMAL 70.00 MM RD(2.7559 IN. UNDERSIZE STEP ITEM 950-955 FOR INSIDE AND OUTSIDE ITEM 956
9	02230164	1	shim NORMAL 3.00 MM (0.1181IN.) OVERSIZE STEP 970-973
12	01215235	5	plug
13	01110422	4	screw DIN 000908-M12X1,5-ST
14	01118673	4	oil seal DIN 007603-A 12 X 15,5-CU
15	01216240	1	disc
16	01167266	2	bush H 002341-B11X16
17	02231082	1	plate
18	01115333	2	self tapping screw ISO 008746- 6 X10-ST -A4C
19	02234870	1	cover
20	02234134	1	oil seal
22	01112322	8	screw m 8 p.1.25 x 20 ISO 004017-M 8 X 20 - 8.8-A4C
23	01107101	8	washer 8.4 DIN 000125-A 8,4-140HV-A4C
25	02230176	1	shim 3,00 MM (0.1181IN.) OVERSIZE ITEM 960-963
26	04159934	2	screw
27	04159935	1	oil seal
32	03362337	1	gasket
33	03362448	2	pin
950	03362380	5	bearing



Kurbelgehäuse
Crankcase
Carter
Carter

0150-01-503 4460



Section: ENGINE

CRANK CASE Motor No. 7 615 055 <<

Kurbelgehäuse
Crankcase
Carter
Carter

0150-01-503 4460

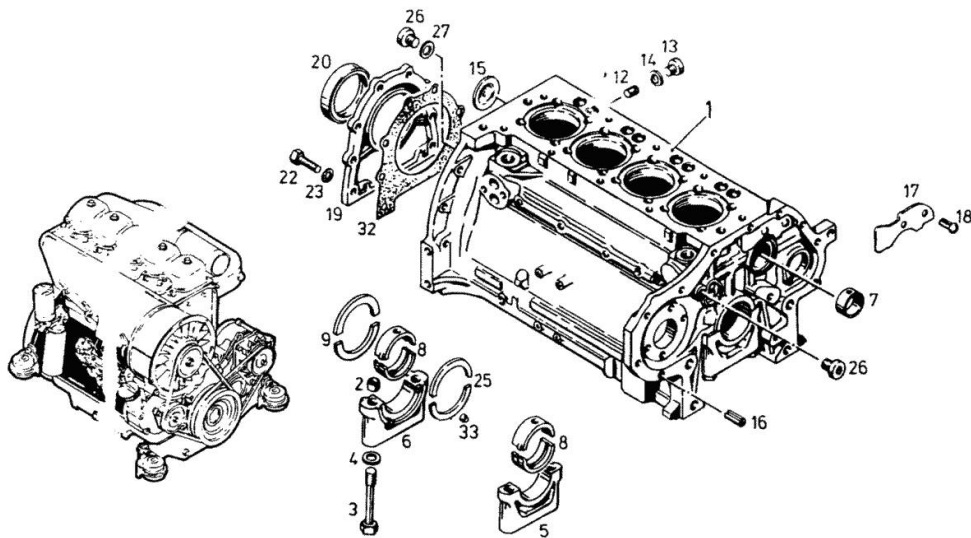


Fig.	P/n	QTY	Name
951	03362381	5	1.UNDERSIZE STEP 69.75 MM RD (2.7459IN.) bearing
952	03362382	5	2.UNDERSIZE STEP 69.50 MM RD (2.7362IN.) bearing
953	03362383	5	3.UNDERSIZE STEP 69.25 MM RD (2.7263 IN.) bearing
954	03362384	5	4.UNDERSIZE STEP 69.00 MM RD (2.7165 IN.) bearing
955	03362385	5	5.UNDERSIZE STEP 68.75MMRD (2,7066IN.) bearing
956	02233347	5	6.UNDERSIZE STEP 68.50 MM RD (2.6968IN.) bearing
960	02230177	1	F.INSIDE(69.75MM RD) AND F. OUTSIDE (75.50MM RD) shim
961	02230178	1	1.OVERSIZ STEP 3.25 MM (0.1279IN.) shim
962	02230179	1	2.OVERSIZ STEP 3.50 MM (0.1378 IN.) shim
963	02230180	1	3.OVERSIZ STEP 3.75MM (0.1476IN.) shim
970	02230166	1	4.OVERSIZ STEP 4.00 MM (0.1575IN.) shim
971	02230167	1	1.OVERSIZ STEP 3.25 MM (0,1279IN.) shim
972	02230168	1	2.OVERSIZ STEP 3.50 MM (0,1378 IN.) shim
973	02230169	1	3.OVERSIZ STEP 3.75 MM (0.1476 IN.) shim
		1	4.OVERSIZ STEP 4.00 MM (0.1575IN.) shim

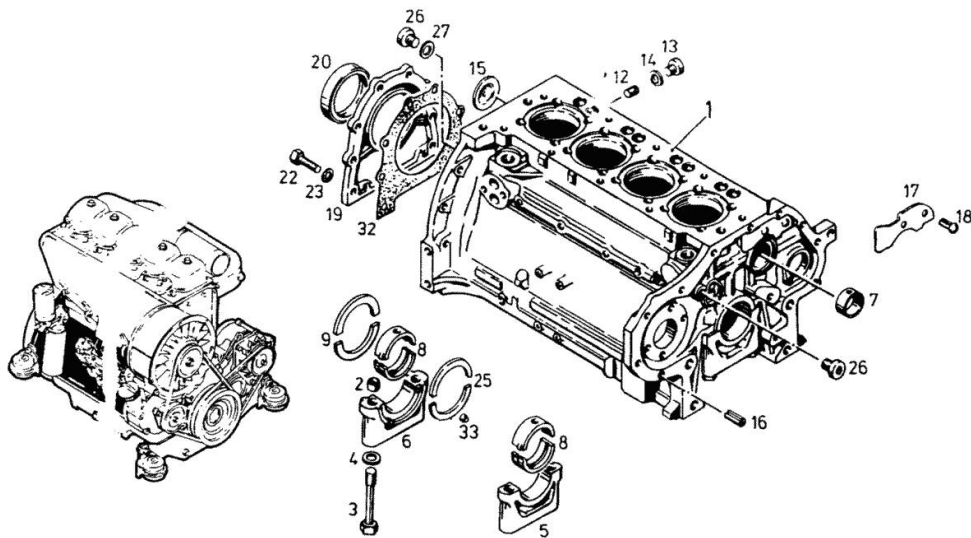
CRANK CASE Motor No. 7 615 055 <<

Fig.	P/n	QTY	Name
980	01016120	1	compound 1 kg H 000699-DEUTZ DW 47- 310 ML



Kurbelgehäuse
Crankcase
Carter
Carter

0150-01-503 4460



Section: ENGINE

ACCESSORIES

Fig.	P/n	QTY	Name
------	-----	-----	------

Notes:

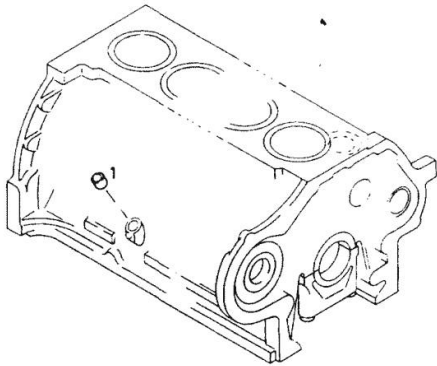
[DX 3 V/F/S .70 V/F]

1	01167269	1	bush H 002341-B13X14
---	----------	---	-------------------------



Anbauteile
Attachments
Accessories
Partes de adosamiento

0150-01-504 2878



Section: ENGINE

INTERMEDIATE GEAR BEARING

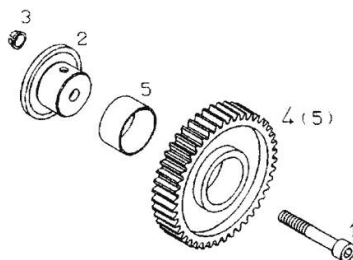
Fig.	P/n	QTY	Name
Notes:			
[DX 3 V/F/S .70 V/F]			
1	01110688	1	screw DIN 000912- M10 X 60 -10.9-A4 C
2	04156284	1	pin
3	04156283	1	bush
4	04153996	1	gear wheel WITH ITEM 5
5	03362538	1	bushing



ZWISCHENRADLAGERUNG
IDLER GEAR BEARING
TOURILLON DE PIGNON INTERMEDIAIRE
SOPORTE PARA RUEDA INTERMEDIA

0150 -01- 0504 2796

1



Section: ENGINE

FRONT COVER

Fig.	P/n	QTY	Name
------	-----	-----	------

Notes:

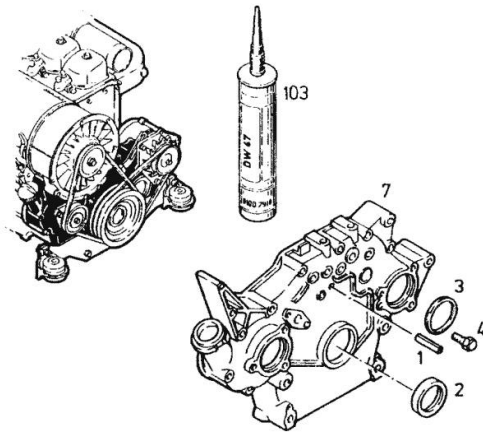
[DX 3 V/F/S .70 V/F]

1	01115451	1	stop ISO 008752- 6 X 20
2	04150782	1	special oil seal
3	01166111	1	oil seal H 002927- 80 X 3 -MVQ-1-50
4	01102396	32	screw ISO 004017-M 8 X 8 - 8.8-A4C
7	02136027	1	cover
103	01016120		compound 1 kg H 000699-DEUTZ DW 47- 310 ML



Vorderer Deckel
Front cover
Couvercle avant
Tapa delantera

0150-01-505 0487



Section: ENGINE

FASTENINGS

Fig.	P/n	QTY	Name
------	-----	-----	------

Notes:

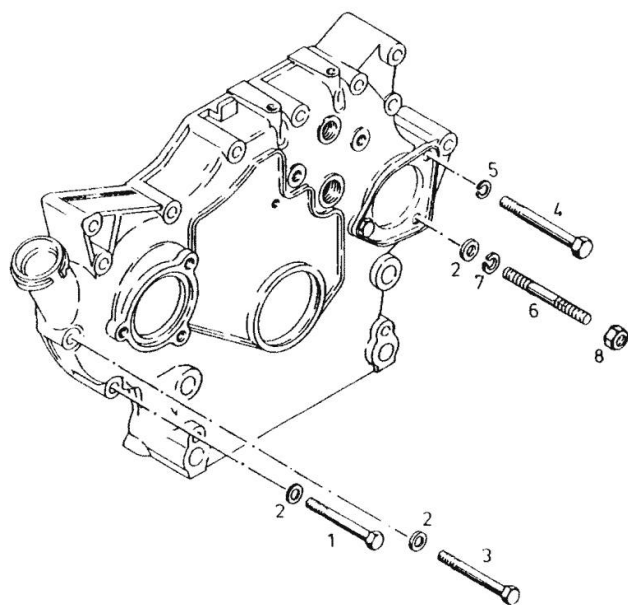
[DX 3 V/F/S .70 V/F]

1	01111179	1	screw m 8 x 70, d931 ISO 004014- M 8 X 70 - 8.8-A4 C
2	01107101	3	washer 8.4 DIN 000125-A 8,4-140HV-A4C
3	01112375	1	screw ISO 004017-M 8 X 80 - 8.8-A4C
4	01111336	1	screw m 10 x 75 DIN 000931- M10 X 75 - 8.8-A4 C
5	01102800	1	washer 10.2 DIN 000128-A 10 -FST -A4C
6	01110209	1	screw DIN 000835-M 8 SN4X 85 - 8.8- A4C
7	01102799	1	washer 8, d128 DIN 000128-A 8 -FST -A4C
8	01112824	1	nut m 8, d934 ISO 004032-M 8 - 8-A4C



Befestigungsteile
Fastening parts
Pièces de fixation
Partes de fijación

0150-01-505 0486



Section: ENGINE

INJECTION NOZZLE PIECE/CYL.- UNIT

Fig.	P/n	QTY	Name
------	-----	-----	------

Notes:

[DX 3 V/F/S .70 V/F]

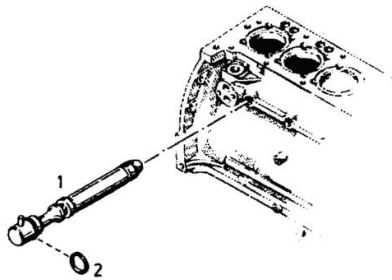
1	02239589	1	sprayer nozzle COMPLETE
2	01173838	1	oil seal H 002927- 9 X 1,5 -FPM-1-70 H2927-9X1,5-DEUTZ VPM1
950	01001202	1	gasket H 000699-DEUTZ DW 49- 1 KG DEUTZ DW 49/1



Spritzdüse
Spray nozzle
Pulverisateur
Tobera de dispersión

Stück / Zyl.- Einheit
Pieces / cyl. unit
Qté / cylindre
Cantid. / unid. cilind.

0150-01-503 7661



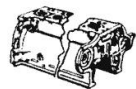
Section: ENGINE
BLANKING PARTS

Fig.	P/n	QTY	Name
------	-----	-----	------

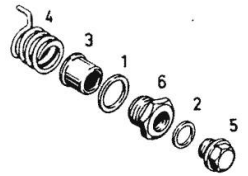
Notes:
 [DX 3 V/F/S .70 V/F]

1	01118750	1	oil seal DIN 007603-A 24 X 30 -AL
2	01118713	1	washer 18.5 DIN 007603-A 18 X 22 -CU
3	02135019	1	tube
4	02237638	1	spring
5	01118970	1	plug m 18 p.1.5 DIN 007604-AM18X1,5 -ST-ZNPHR F
6	02135685	1	screw


 Verschlusssteile
 Locking parts
 Pièces de fermeture
 Partes de cierre



0150-01-502 2887



Section: ENGINE

SEALING COVER FOR INJECTION TIMING GEAR

Fig.	P/n	QTY	Name
------	-----	-----	------

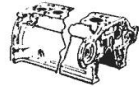
Notes:

[DX 3 V/F/S .70 V/F]

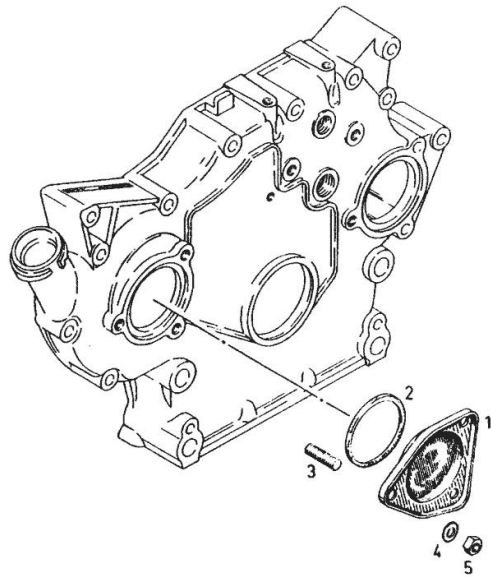
1	04152404	1	cover
2	01166110	1	ring H 002927- 80 X 3 -NBR-1-60
3	01178540	3	screw H 002091- 835-M 8 X 16- 8.8-A 4C-MK-1,5D-BL
4	01216143	3	ring
5	01112824	3	nut m 8, d934 ISO 004032-M 8 - 8-A4C



Verschlußdeckel für Spritzversteller
Cover for advance/retard unit
Couvercle pour avance automatique
Tapa de cierre para graduador de avance de inyección



0150-01-500 3331



Section: ENGINE

TUNNEL COVER

Fig.	P/n	QTY	Name
------	-----	-----	------

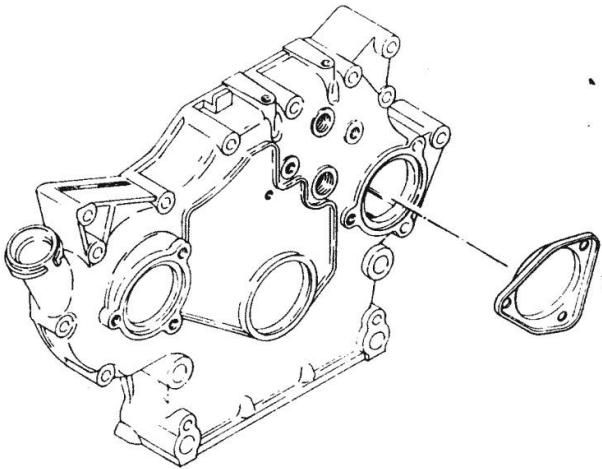
Notes:

[DX 3 V/F/S .70 V/F]

1	04152404	1	cover
---	----------	---	-------

Deckel
Cover
Couvercle
Tapa

0150-01-505 0218



Thank you so much for reading.
Please click the “Buy Now!”
button below to download the
complete manual.



After you pay.

You can download the most
perfect and complete manual in
the world immediately.

Our support email:

ebooklibonline@outlook.com