

## Section: ENGINE

## CRANK CASE

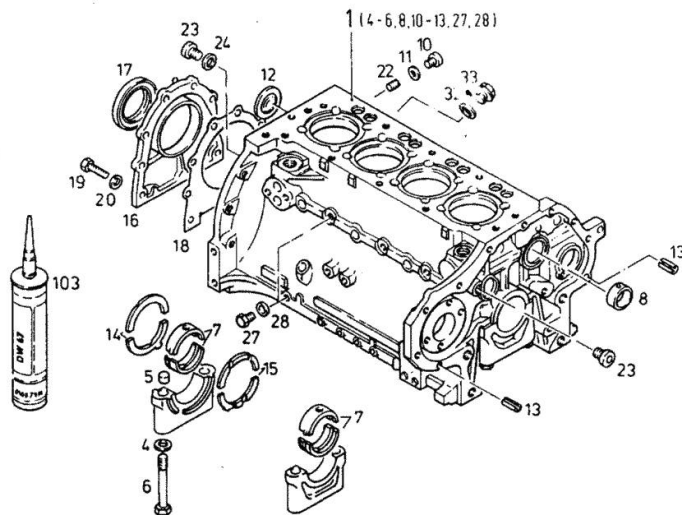
| Fig.                        | P/n      | QTY | Name   |
|-----------------------------|----------|-----|--|
| <b>Notes:</b><br>[DX 4 .70] |          |     |  |
| 1                           | 04156252 | 1   | crankcase<br>ORDER FROM PICTURE NO. 4-6,8,<br>10-13,27,28,32,33. |
| 4                           | 01216107 | 10  | washer 15x23x1,5<br>H 002308-15 X23X1,5                          |
| 5                           | 04160764 | 10  | bushing  |
| 6                           | 04156058 | 10  | screw  |
| 7                           | 03362379 | 5   | bearing<br>UNDERSIZE STEP<br>SEE ITEM 950-955                    |
| 8                           | 02139737 | 1   | bushing  |
| 10                          | 01110422 | 5   | screw<br>DIN 000908-M12X1,5-ST                                   |
| 11                          | 01118673 | 5   | oil seal<br>DIN 007603-A 12 X 15,5-CU                            |
| 12                          | 01216240 | 1   | disc   |
| 13                          | 01167266 | 2   | bush<br>H 002341-B11X16  |
| 14                          | 02230181 | 1   | shim<br>OVERSIZE<br>SEE ITEM 956-959                             |
| 15                          | 02230170 | 1   | shim<br>OVERSIZE<br>SEE ITEM 960-963                             |
| 16                          | 02234870 | 1   | cover  |
| 17                          | 04230392 | 1   | special oil seal   |
| 18                          | 03362337 | 1   | gasket   |
| 19                          | 01112322 | 8   | screw m 8 p.1.25 x 20<br>ISO 004017-M 8 X 20 - 8.8-A4C           |
| 20                          | 01107101 | 8   | washer 8.4<br>DIN 000125-A 8,4-140HV-A4C                         |
| 22                          | 01215235 | 5   | plug   |
| 23                          | 04159934 | 2   | screw  |
| 24                          | 04159935 | 1   | oil seal   |
| 27                          | 01118998 | 2   | screw<br>DIN 007604-CM10X1 -ST-A4C                               |
| 28                          | 01118659 | 2   | oil seal<br>DIN 007603-A 10 X 13,5-CU                            |
| 32                          | 01118760 | 1   | gasket 26x31<br>DIN 007603-A 26 X 31 -CU                         |
| 33                          | 01118985 | 1   | screw am26x1,5 d7604   |



Kurbelgehäuse  
Crankcase  
Carter  
Carter

0150 - 01-0506 3047

1

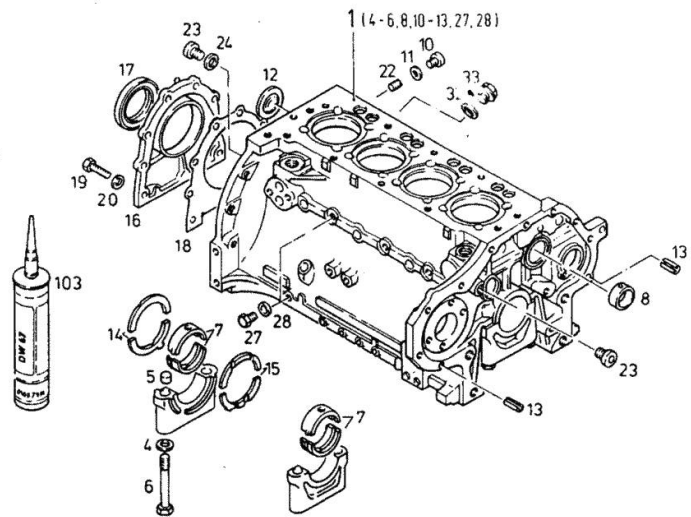




Kurbelgehäuse  
Crankcase  
Carter  
Cárter

0150 - 01-0506 3047

1



Section: ENGINE  
**CRANK CASE**

**DX 4.70**

Ref: 11.01.20000

| Fig. | P/n      | QTY | Name   |
|------|----------|-----|--|
|      |          |     | DIN 007604-AM26X1,5 -ST-ZNPHR<br>F   |
| 103  | 01016120 | 1   | compound 1 kg  |
| 950  | 03362380 | 5   | H 000699-DEUTZ DW 47- 310 ML<br>bearing<br>1.UNDERSIZE STEP 69.75 MMRD<br>(2,7459 IN.) |
| 951  | 03362381 | 5   | bearing<br>2.UNDERSIZE STEP 69.50 MMRD<br>(2,7362 IN.)                                 |
| 952  | 03362382 | 5   | bearing<br>3.UNDERSIZE STEP 69.25 MMRD<br>(2,7263 IN.)                                 |
| 953  | 03362383 | 5   | bearing<br>4.UNDERSIZE STEP 69.00 MMRD<br>(2,7165 IN.)                                 |
| 954  | 03362384 | 5   | bearing<br>5.UNDERSIZE STEP 68.75 MMRD<br>(2,7066IN.)                                  |
| 955  | 03362385 | 5   | bearing<br>6.UNDERSIZE STEP 68.50 MM RD<br>(2,6968 IN.)                                |
| 956  | 02230182 | 1   | shim<br>1.OVERSIZ STEP 3.25 MM<br>(0,1279 IN.)   |
| 957  | 02230183 | 1   | shim<br>2.OVERSIZ STEP 3.50 MM<br>(0,1378 IN.)   |
| 958  | 02230184 | 1   | shim<br>3.OVERSIZ STEP 3.75 MM<br>(0,1476 IN.)   |
| 959  | 02230185 | 1   | shim<br>4.OVERSIZ STEP 4.00 MM<br>(0,1575 IN.)   |
| 960  | 02230172 | 1   | shim<br>1.OVERSIZ STEP 3.25 MM<br>(0,1279 IN.)   |
| 961  | 02230173 | 1   | shim<br>2.OVERSIZ STEP 3.50 MM<br>(0,1378 IN.)   |
| 962  | 02230174 | 1   | shim<br>3.OVERSIZ STEP 3.75MM<br>(0,1476 IN.)  |
| 963  | 02230175 | 1   | shim   |

Section: ENGINE  
**CRANK CASE**

| Fig. | P/n | QTY | Name |
|------|-----|-----|------|
|------|-----|-----|------|

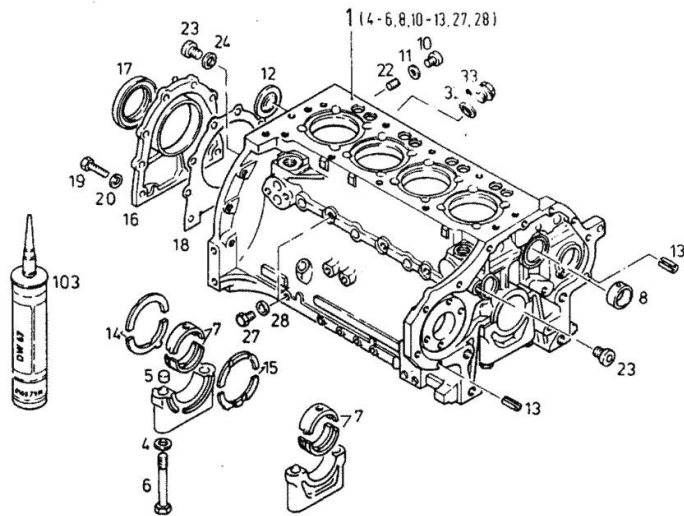
4.OVERSIZE STEP 4.00MM  
 (0,1575 IN.)



Kurbelgehäuse  
 Crankcase  
 Carter  
 Cárter

0150 - 01-0506 3047

1



Section: ENGINE

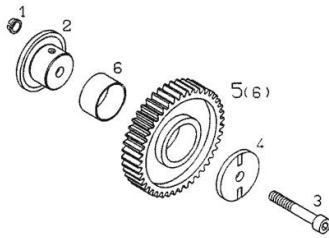
**IDLER BEARING**

| Fig.          | P/n      | QTY | Name                         |
|---------------|----------|-----|------------------------------|
| <b>Notes:</b> |          |     |                              |
| [DX 4 .70]    |          |     |                              |
| 1             | 04156283 | 1   | bush                         |
| 2             | 04156285 | 1   | journal                      |
| 3             | 02234177 | 1   | screw                        |
| 4             | 04154593 | 1   | washer                       |
| 5             | 04154591 | 1   | gear wheel<br>WITH ITEM .... |
| 6             | 04154590 | 1   | 6,<br>bushing                |



ZWISCHENRAUHLAGERUNG  
- IDLER GEAR BEARING  
TOURILLON DE PIGNON INTERMEDIAIRE  
SOPORTE PARA RUEDA INTERMEDIA

0150 -01- 0506 4563



## Section: ENGINE

**FRONT COVER**

| Fig. | P/n | QTY | Name |
|------|-----|-----|------|
|------|-----|-----|------|

**Notes:**

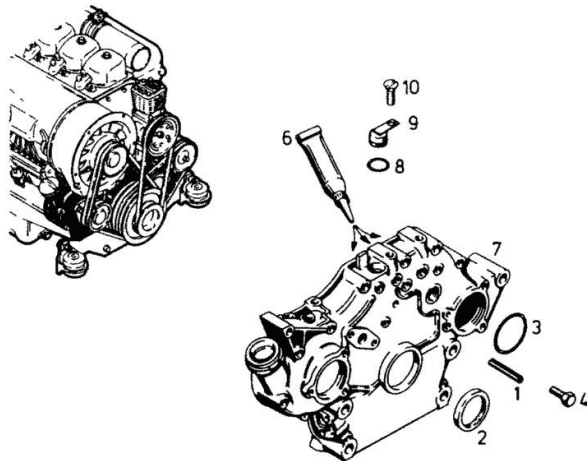
[DX 4 .70]

|    |          |   |   |
|----|----------|---|---|
| 1  | 01115459 | 1 | pin<br>ISO 008752- 6 X 45                     |
| 2  | 02234133 | 1 | oil seal                                      |
| 3  | 01171243 | 1 | oil seal<br>H 002927- 82 X 3,15 -MVQ-1-50     |
| 4  | 01102396 | 1 | screw<br>ISO 004017-M 8 X 8 - 8.8-A4C         |
| 6  | 01016120 | 1 | compound 1 kg<br>H 000699-DEUTZ DW 47- 310 ML |
| 7  | 04158444 | 1 | cover   |
| 8  | 01160480 | 1 | oil seal<br>H 002927- 24 X 3 -FPM-1-70        |
| 9  | 02239634 | 1 | bottom  |
| 10 | 01132357 | 1 | screw<br>ISO 002009- M 8 X 16- 4.8 -A4<br>C   |



Vorderer Deckel  
Front cover  
Couvercle avant  
Tapa delantera

0150-01-503 7682



Section: ENGINE

**FASTENINGS**

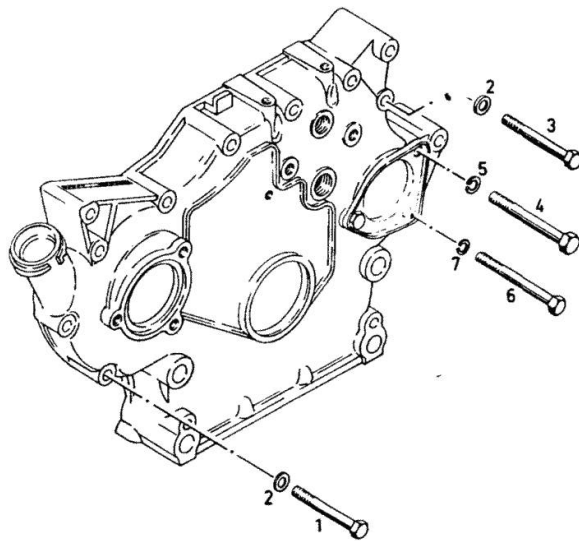
| Fig.          | P/n      | QTY | Name   |
|---------------|----------|-----|--|
| <b>Notes:</b> |          |     |  |
| [DX 4 .70]    |          |     |  |
| 1             | 01127046 | 1   | screw m 8 x 60<br>ISO 004017-M 8 X 60 - 8.8-A4C            |
| 2             | 01107101 | 3   | washer 8.4<br>DIN 000125-A 8,4-140HV-A4C                   |
| 3             | 01111179 | 2   | screw m 8 x 70, d931<br>ISO 004014- M 8 X 70 - 8.8-A4<br>C |
| 4             | 01111336 | 1   | screw m 10 x 75<br>DIN 000931- M10 X 75 - 8.8-A4<br>C      |
| 5             | 01102800 | 1   | washer 10.2<br>DIN 000128-A 10 -FST -A4C                   |
| 6             | 01122399 | 1   | screw<br>ISO 004014- M 8 X 85 - 8.8-A4<br>C                |
| 7             | 01102799 | 1   | washer 8, d128<br>DIN 000128-A 8 -FST -A4C                 |



Befestigungsteile  
Fastening parts  
Pièces de fixation  
Partes de fijación



0150-01-500 6842



Section: ENGINE

**BLANKING PARTS**

| Fig. | P/n | QTY | Name |
|------|-----|-----|------|
|------|-----|-----|------|

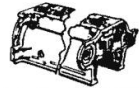
**Notes:**

[DX 4.70]

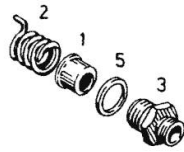
|   |          |   |                                      |
|---|----------|---|--------------------------------------|
| 1 | 02135019 | 1 | tube                                 |
| 2 | 02237638 | 1 | spring                               |
| 3 | 02234350 | 1 | vent                                 |
| 5 | 01118750 | 1 | oil seal<br>DIN 007603-A 24 X 30 -AL |



Verschluss-teile  
Locking parts  
Pièces de fermeture  
Partes de cierre



0150-01-503 0825



Section: ENGINE

**BLANKING PARTS**

| Fig. | P/n | QTY | Name |
|------|-----|-----|------|
|------|-----|-----|------|

**Notes:**

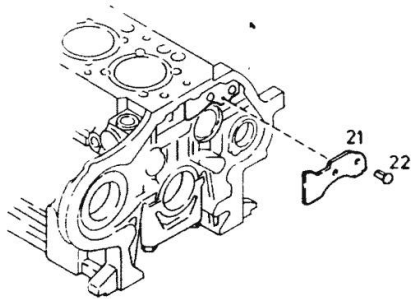
[DX 4.70]

|     |          |   |  |
|-----|----------|---|--|
| 21  | 02231082 | 1 | plate<br>UP TO MOTOR NO. (A)<br>FROM ENGINE NO. SEE ITEM (B) |
| 22  | 01115333 | 2 | self tapping screw<br>ISO 008746- 6 X10-ST -A4C              |
| 950 | 04156862 | 1 | plate<br>UP TO MOTOR NO. (A)<br>FROM ENGINE NO. SEE ITEM (B) |



Verschlußteile  
Locking parts  
Pieces de fermeture  
Partes de cierre

0150—01—504 2845





Section: ENGINE

**BLANKING PARTS**

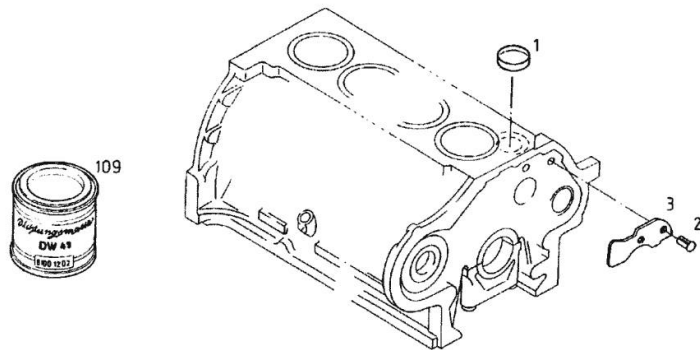
| Fig.          | P/n      | QTY | Name  |
|---------------|----------|-----|---|
| <b>Notes:</b> |          |     |   |
| [DX 4.70]     |          |     |   |
| 1             | 01176197 | 1   | stop<br>H 000711-B25,8                          |
| 2             | 01115333 | 2   | self tapping screw<br>ISO 008746- 6 X10-ST -A4C |
| 3             | 04156862 | 1   | plate   |
| 109           | 01001202 | 1   | gasket<br>H 000699-DEUTZ DW 49- 1 KG            |



Verschluss­teile  
Locking parts  
Pièces de fermeture  
Partes de cierre

0150-01-0504 2879

1



Section: ENGINE

**SEALING COVER FOR INJECTION TIMING GEAR**

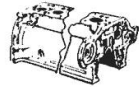
| Fig. | P/n | QTY | Name |
|------|-----|-----|------|
|------|-----|-----|------|

Notes:  
[DX 4 .70]

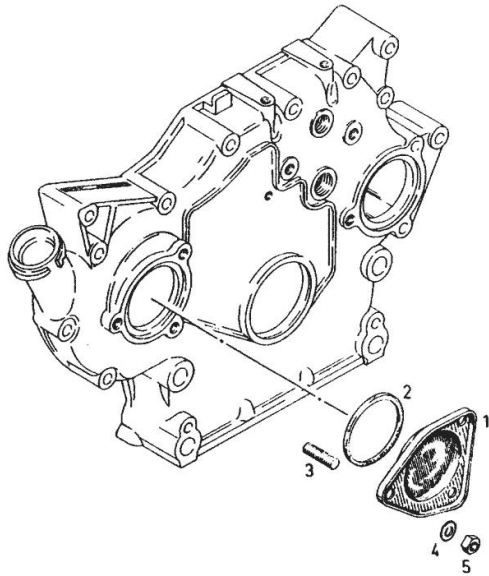
|   |          |   |   |
|---|----------|---|---|
| 1 | 04152404 | 1 | cover   |
| 2 | 01166110 | 1 | ring<br>H 002927- 80 X 3 -NBR-1-60                      |
| 3 | 01178540 | 3 | screw<br>H 002091- 835-M 8 X 16- 8.8-A<br>4C-MK-1,5D-BL |
| 4 | 01216143 | 3 | ring  |
| 5 | 01112824 | 3 | nut m 8, d934<br>ISO 004032-M 8 - 8-A4C                 |



Verschlußdeckel für Spritzversteller  
Cover for advance/retard unit  
Couvercle pour avance automatique  
Tapa de cierre para graduador de avance de inyección



0150-01-500 3331



Section: ENGINE

**INJECTION NOZZLE PIECE/CYL.- UNIT**

| Fig. | P/n | QTY | Name |
|------|-----|-----|------|
|------|-----|-----|------|

**Notes:**

[DX 4 .70]

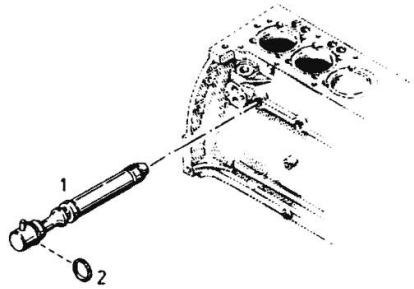
|     |          |   |   |
|-----|----------|---|---|
| 1   | 02239591 | 1 | nozzle                                  |
| 2   | 01173838 | 1 | oil seal<br>H 002927- 9 X 1,5 -FPM-1-70 |
| 950 | 01001202 | 1 | gasket<br>H 000699-DEUTZ DW 49- 1 KG    |



Spritzdüse  
Spray nozzle  
Pulvrisateur  
Tobera de dispersión

Stück / Zyl. - Einheit  
Pieces / cyl. unit  
Qté / cylindre  
Cantid. / unid. cilind.

0150—01—503 7653



Thank you so much for reading.  
Please click the “Buy Now!”  
button below to download the  
complete manual.



After you pay.

You can download the most  
perfect and complete manual in  
the world immediately.

Our support email:

[ebooklibonline@outlook.com](mailto:ebooklibonline@outlook.com)