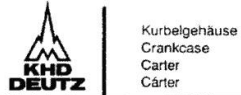


## Section: ENGINE

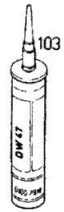
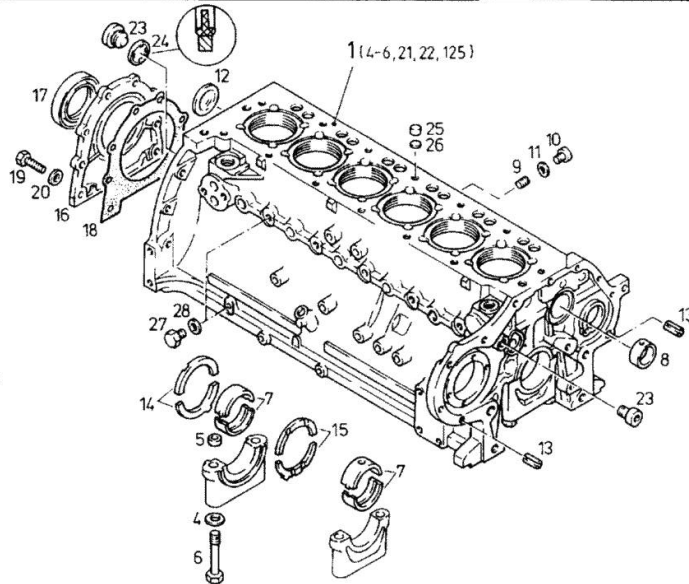
## CRANK CASE

Fig.	P/n	QTY	Name
<b>Notes:</b> [DX 7 .10]			
1	04156259	1	crankcase WITH ITEM .... 2-6,8-13,21-30.
4	01216107	14	washer 15x23x1,5 H 002308-15 X23X1,5
5	04160764	14	bushing
6	04156058	14	screw
7	02230609	7	bearing NORMAL (A)MM, UNDERSIZE STEP SEE ITEM(B) A = 75,00 B = 950-955
8	02139737	1	bushing
9	01215235	2	plug
10	01110422	7	screw DIN 000908-M12X1,5-ST
11	01118673	7	oil seal DIN 007603-A 12 X 15,5-CU
12	01216240	1	disc
13	01167266	2	bush H 002341-B11X16
14	02230196	1	shim NORMAL (A)MM, OVERDIMENSION LEVEL SEE ITEM (B) A = 3,00 MM (0.1181 INCH) B = 956-959
15	02230201	1	shim NORMAL (A)MM, OVERDIMENSION LEVEL SEE ITEM (B) A = 3,00 MM (0.1181 INCH) B = 960-963
16	02234870	1	cover
17	04230392	1	special oil seal
18	03362337	1	gasket
19	01112322	8	screw m 8 p.1.25 x 20 ISO 004017-M 8 X 20 - 8.8-A4C
20	01107101	8	washer 8.4 DIN 000125-A 8,4-140HV-A4C
23	04159934	2	screw
24	04159935	1	oil seal
25	01170580	5	plug



0150-01-0506 3056

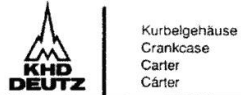
7



## Section: ENGINE

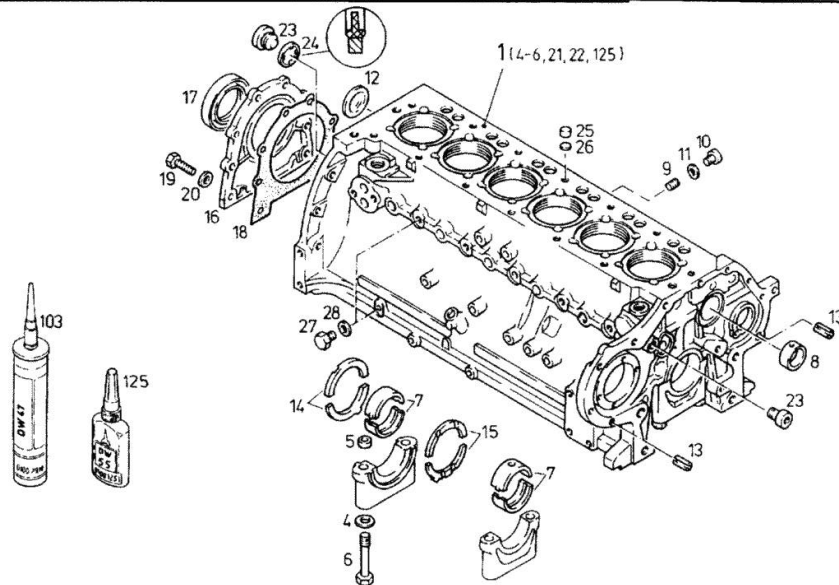
## CRANK CASE

Fig.	P/n	QTY	Name
26	01167010	5	H 002855-A 8X 8 washer
27	01118998	5	H 000984- 7,5X 1 -ST screw
28	01118659	5	DIN 007604-CM10X1 -ST-A4C oil seal
103	01016120	1	DIN 007603-A 10 X 13,5-CU compound 1 kg
950	02235189	7	H 000699-DEUTZ DW 47- 310 ML bearing 1ST UNDERSIZE 74,75 MM RD (2.9429 INCH)
951	02235192	7	bearing 2ND UNDERSIZE 74,50 MM RD (2.9331 INCH)
952	02235194	7	bearing 3RD UNDERSIZE 74,25 MM RD (2.9232 INCH)
953	02235196	7	bearing 4TH UNDERSIZE 74,00 MM RD (2.9134 INCH)
954	02235198	7	bearing 5TH UNDERSIZE 73,75 MM RD (2.9035 INCH)
955	02235200	7	bearing 6TH UNDERSIZE 73,50MM RD (2.8937 INCH)
956	02230197	1	shim 1ST OVERSIZE 3,25 MM (0.1279 INCH)
957	02230198	1	shim 2ND OVERSIZE 3,50 MM (0.1378 INCH)
958	02230199	1	shim 3RD OVERSIZE 3,750MM (0.1476 INCH)
959	02230200	1	shim 4TH OVERSIZE 4,00 MM (0.1575 INCH)
960	02230202	1	shim 1ST OVERSIZE 3,25 MM (1279 INCH)
961	02230203	1	shim 2ND OVERSIZE



0150-01-0506 3056

7



Section: ENGINE  
CRANK CASE

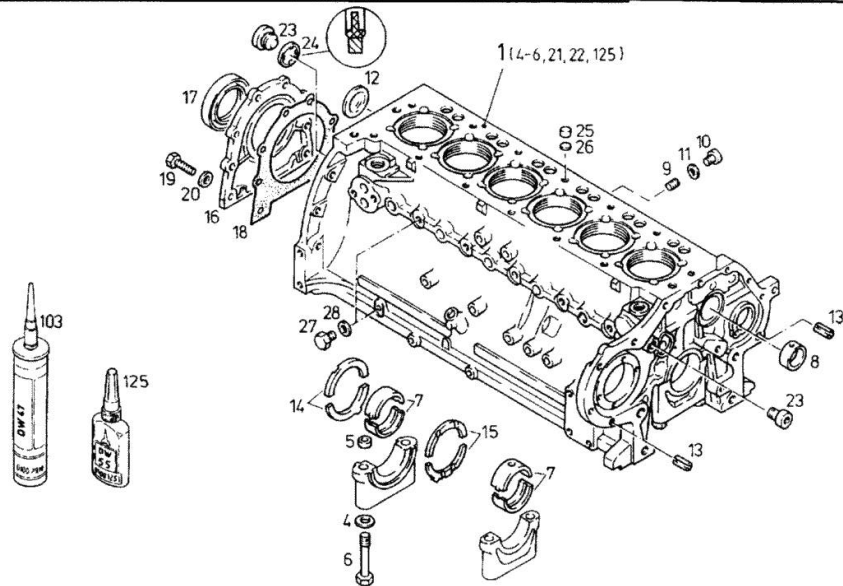
Fig.	P/n	QTY	Name
962	02230204	1	3,50 MM (0.1378 INCH) shim 3RD OVERSIZE
963	02230205	1	3,75 MM (0.1476 INCH) shim 4TH OVERSIZE
964	02235240	7	4,00 MM (0.1575 INCH) bearing FOR INSIDE...(1)...MM FOR OUTSIDE...(2)...MM 1 = 74,75 2 = 79,50



Kurbelgehäuse  
Crankcase  
Carter  
Carter

0150 - 01 - 0506 3056

7



Section: ENGINE

**INTERMEDIATE GEAR BEARING**

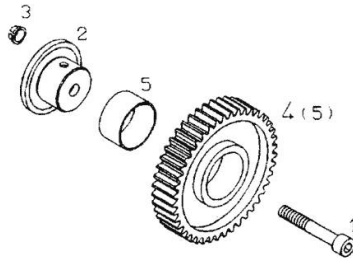
Fig.	P/n	QTY	Name
<b>Notes:</b> [DX 7 .10]			
1	01110688	1	screw DIN 000912- M10 X 60 -10.9-A4 C
2	04156284	1	pin
3	04156283	1	bush
4	04153996	1	gear wheel WITH ITEM .... 5
5	03362538	1	bushing



ZWISCHENRADLAGERUNG  
IDLER GEAR BEARING  
TOURILLON DE PIGNON INTERMEDIAIRE  
SOPORTE PARA RUEDA INTERMEDIA

0150 -01- 0504 2796

1



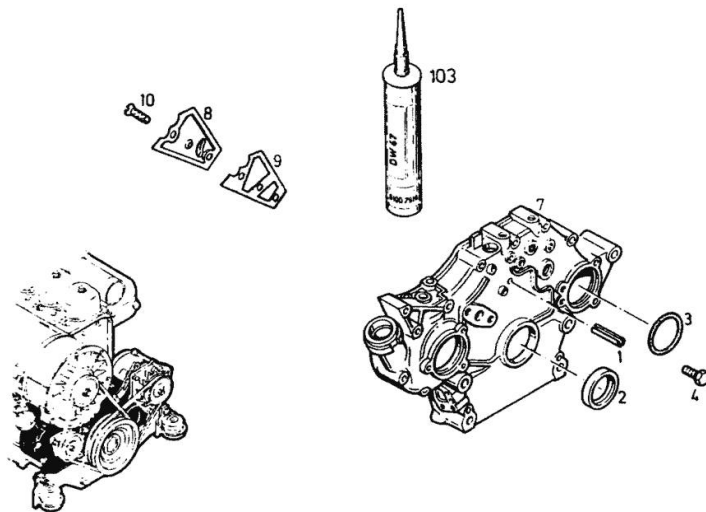
Section: ENGINE  
FRONT COVER

Fig.	P/n	QTY	Name
<b>Notes:</b> [DX 7 .10]			
1	01115459	1	pin ISO 008752- 6 X 45
2	04150782	1	special oil seal
3	01180084	1	oil seal H 002927- 82 X 3,15K -MVQ-1-5 0
4	01102396	1	screw ISO 004017-M 8 X 8 - 8.8-A4C
7	04158427	1	cover
8	02231500	1	plate
9	02230313	1	gasket
10	01137776	3	screw DIN 007513-FM6 X16
103	01016120		compound 1 kg H 000699-DEUTZ DW 47- 310 ML



Vorderer Deckel  
Front cover  
Couvercle avant  
Tapa delantera

0150-01-504 2178



Section: ENGINE

**FIXING PARTS FOR FRONT COVER**

Fig.	P/n	QTY	Name
------	-----	-----	------

**Notes:**

[DX 7 .10]

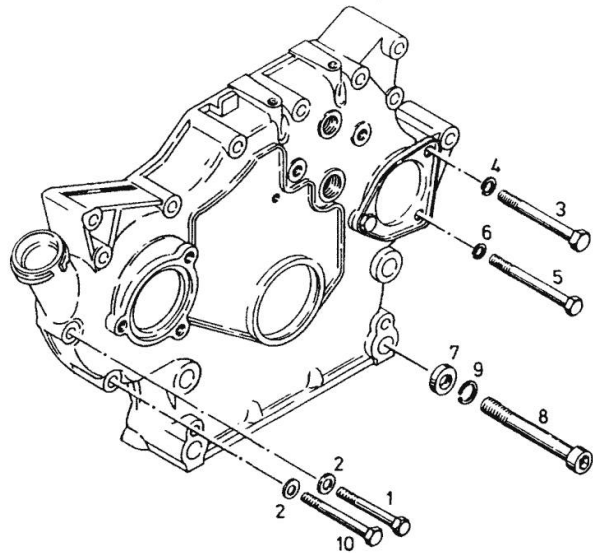
1	01127046	1	screw m 8 x 60 ISO 004017-M 8 X 60 - 8.8-A4C
2	01107101	3	washer 8.4 DIN 000125-A 8,4-140HV-A4C
3	01111336	1	screw m 10 x 75 DIN 000931- M10 X 75 - 8.8-A4 C
4	01102800	1	washer 10.2 DIN 000128-A 10 -FST -A4C
5	01122399	1	screw ISO 004014- M 8 X 85 - 8.8-A4 C
6	01102799	1	washer 8, d128 DIN 000128-A 8 -FST -A4C
7	01107556	16	washer DIN 000433-15 -140HV-A4C
8	01102281	4	screw m14x100 d912 DIN 000912- M14 X100 - 8.8-A4 C
9	01127679	4	spring washer DIN 007980-14-FST-A4C
10	01111179	1	screw m 8 x 70, d931 ISO 004014- M 8 X 70 - 8.8-A4 C



Befestigungsteile zum vorderen Deckel  
Fastening parts for front cover  
Pièces de fixation pour couvercle avant  
Partes de fijación para tapa delantera



0150—01—500 3339



Section: ENGINE

**TUNNEL COVER**

Fig.	P/n	QTY	Name
------	-----	-----	------

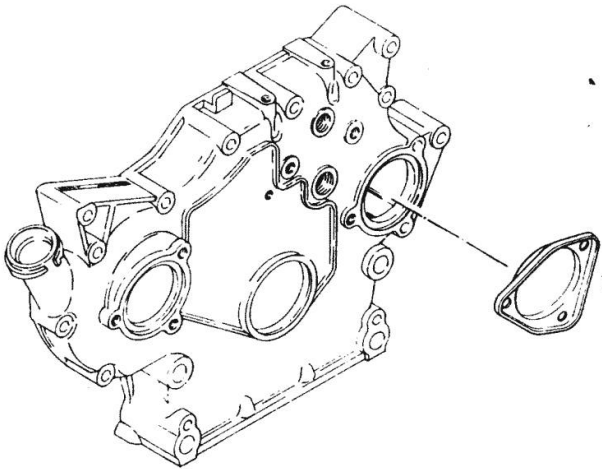
Notes:  
[DX 7 .10]

1	04152404	1	cover
---	----------	---	-------



Deckel  
Cover  
Couvercle  
Tapa

0150-01-505 0218



Section: ENGINE

**FASTENINGS**

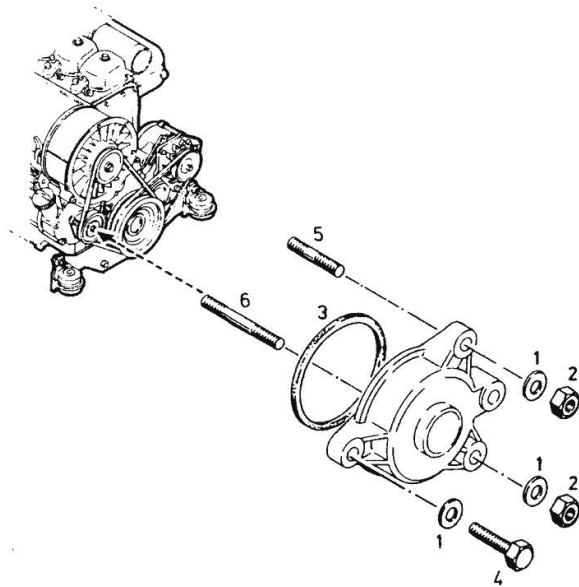
Fig.	P/n	QTY	Name
<b>Notes:</b>			
[DX 7 .10]			
1	01216108	3	washer
2	01112824	2	nut m 8, d934 ISO 004032-M 8 - 8-A4C
3	01179670	1	oil seal H 002927- 78 X 3 -MVQ-1-50
4	01174194	1	screw H 002091- 933-M 8 X 30- 8.8-A 4C-MK-2D-BL
5	01174191	1	screw m 8 x 25 H 002091- 835-M 8 X 25- 8.8-A 4C-MK-2D-BL
6	01174192	1	screw H 002091- 835-M 8 X 40- 8.8-A 4C-MK-2D-BL



Befestigungsteile  
Fastening parts  
Pièces de fixation  
Partes de fijación



0150-01-503 4247





Section: ENGINE

## COVER WITH TENSION ROLLER

Fig.	P/n	QTY	Name
------	-----	-----	------

## Notes:

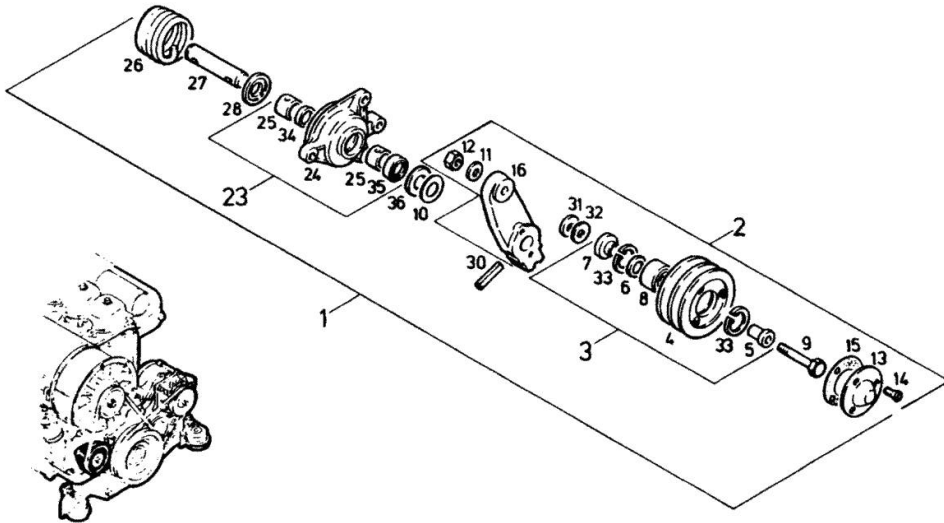
[DX 7 .10]

1	04152514	1	tensioner
2	04152524	1	pulley
3	02237959	1	pulley
4	02237846	1	pulley
5	02237849	1	bush
6	02237850	1	washer
7	02237848	1	ring
8	01171646	1	ball bearing H 004450- 2RK 15X 32 X 15 -2R S
9	01100104	1	screw m 10 x 60 DIN 000933-M10 X 60 - 8.8-A4C
10	04152509	1	shim
11	01107105	1	washer 10.5 DIN 000125-A10,5-140HV-A4C
12	01102659	1	nut m 10, d934 DIN 000934-M10 - 8-A4C
13	02237847	1	cover
14	01136951	3	screw DIN 000965- M 6 X 16 - 4.8 -H -A4C
15	02136434	1	gasket
16	04152532	1	lever
23	04153128	1	cover
24	04153130	1	cover
25	02238022	2	bushing
26	02238021	1	spring
27	02238081	1	shaft
28	02238083	1	washer
30	01115473	1	pin 8 x 40, d1481 ISO 008752- 8 X 40
31	01216123	3	washer
32	01216095	2	washer
33	01107818	2	ring DIN 000472- 32X1,2
34	02238084	1	bushing
35	04158766	1	oil seal
36	04152517	1	shim



Deckel mit Spannrolle  
Cover with idler pulley  
Couvercle avec galet tendeur  
Tapa con polea tensora

0150—01—504 2276



Section: ENGINE

**BLANKING PARTS**

Fig.	P/n	QTY	Name
------	-----	-----	------

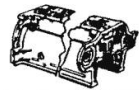
**Notes:**

[DX 7 .10]

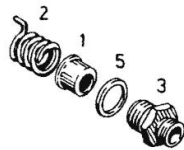
1	02135019	1	tube
2	02237638	1	spring
3	02234350	1	vent
5	01118750	1	oil seal DIN 007603-A 24 X 30 -AL



Verschlusssteile  
Locking parts  
Pièces de fermeture  
Partes de cierre



0150-01-503 0825



**INJECTION NOZZLE PIECE/CYL.- UNIT**

Fig.	P/n	QTY	Name
------	-----	-----	------

**Notes:**

[DX 7 .10]

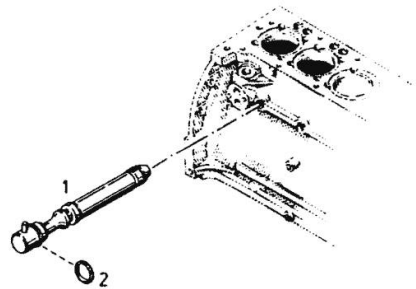
1	02239591	1	nozzle
2	01173838	1	oil seal H 002927- 9 X 1,5 -FPM-1-70
950	01001202	1	gasket H 000699-DEUTZ DW 49- 1 KG



Spritzdüse  
Spray nozzle  
Pulvrisateur  
Tobera de dispersión

Stück / Zyl. - Einheit  
Pieces / cyl. unit  
Qté / cylindre  
Cantid. / unid. cilind.

0150—01—503 7653



Thank you so much for reading.  
Please click the “Buy Now!”  
button below to download the  
complete manual.



After you pay.

You can download the most  
perfect and complete manual in  
the world immediately.

Our support email:

[ebooklibonline@outlook.com](mailto:ebooklibonline@outlook.com)