

**LOCK**

Fig.	P/n	QTY	Name
------	-----	-----	------

Notes:  
[DXab 120]

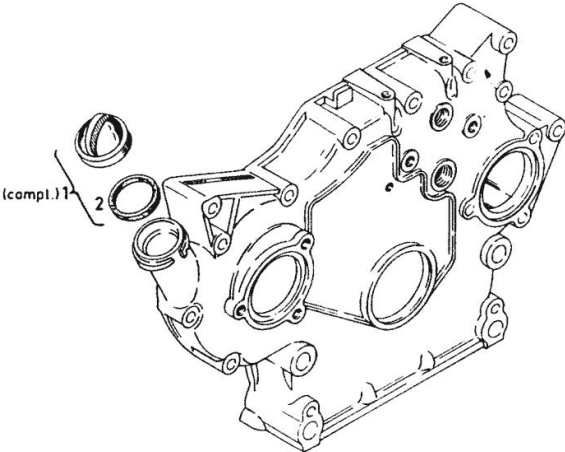
1	01236291	1	plug
2	01236290	1	oil seal



Oleinfüllverschluß  
 Oil filter cap  
 Couverture de cheminée de remplissage d'huile  
 Tapon de llenado de aceite



0150-01-500 3320

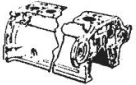


Section: ENGINE  
**COVER**

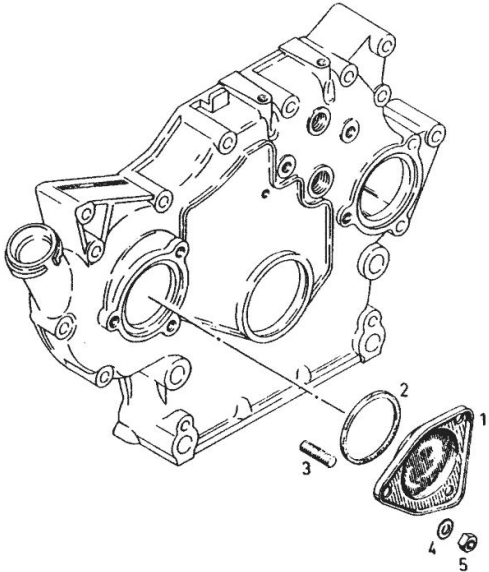
Fig.	P/n	QTY	Name
<b>Notes:</b> [DXab 120]			
1	04152404	1	cover
2	01166110	1	ring H 002927- 80 X 3 -NBR-1-60
3	01178540	3	screw H 002091- 835-M 8 X 16- 8.8-A 4C-MK-1,5D-BL
4	01216143	3	ring
5	01112824	3	nut m 8, d934 ISO 004032-M 8 - 8-A4C



Verschlußdeckel für Spritzversteller  
Cover for advance/retard unit  
Couvercle pour avance automatique  
Tapa de cierre para graduador de avance de inyección



0150-01-500 3331

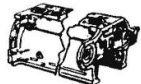


Section: ENGINE  
FASTENINGS

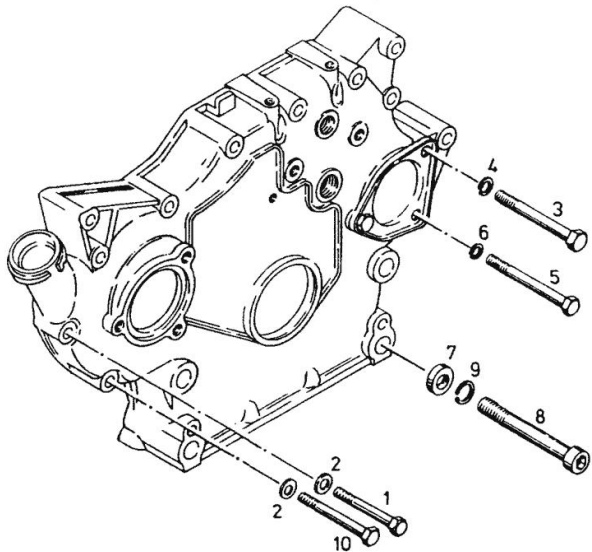
Fig.	P/n	QTY	Name
<b>Notes:</b> [DXab 120]			
1	01127046	1	screw m 8 x 60 ISO 004017-M 8 X 60 - 8.8-A4C
2	01107101	3	washer 8.4 DIN 000125-A 8,4-140HV-A4C
3	01111336	1	screw m 10 x 75 DIN 000931- M10 X 75 - 8.8-A4 C
4	01102800	1	washer 10.2 DIN 000128-A 10 -FST -A4C
5	01122399	1	screw ISO 004014- M 8 X 85 - 8.8-A4 C
6	01102799	1	washer 8, d128 DIN 000128-A 8 -FST -A4C
7	01107556	16	washer DIN 000433-15 -140HV-A4C
8	01102281	4	screw m14x100 d912 DIN 000912- M14 X100 - 8.8-A4 C
9	01127679	4	spring washer DIN 007980-14-FST-A4C
10	01111179	1	screw m 8 x 70, d931 ISO 004014- M 8 X 70 - 8.8-A4 C



Befestigungsteile zum vorderen Deckel  
Fastening parts for front cover  
Pièces de fixation pour couvercle avant  
Partes de fijación para tapa delantera



0150-01-500 3339



Section: ENGINE

INTERMEDIATE GEAR BEARING

Fig.	P/n	QTY	Name
------	-----	-----	------

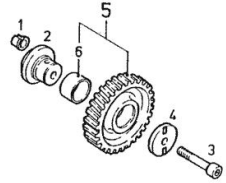
Notes:  
[DXab 120]

1	02101007	1	bushing
2	02234172	1	pin TRAKTORAUSFUEHRUNG S.POS.950
3	02234177	1	screw
4	02234161	1	washer
5	02234400	1	gear
6	03362538	1	bushing 0150-01-74.02 TRAKTORAUSFUEHRUNG S.POS.951
950	04161357	1	pin FUER TRAKTOR DX85,DX90 U. DX110
951	02234389	1	bushing FUER TRAKTOR DX85,DX90 U. DX110



Zwischenradlager  
Idler gear bearing  
Tourillon de pignon intermédiaire  
Soporte para rueda intermedia

0150-01-0502 3335



Section: ENGINE  
**BREATHER**

Fig.	P/n	QTY	Name
------	-----	-----	------

Notes:  
[DXab 120]

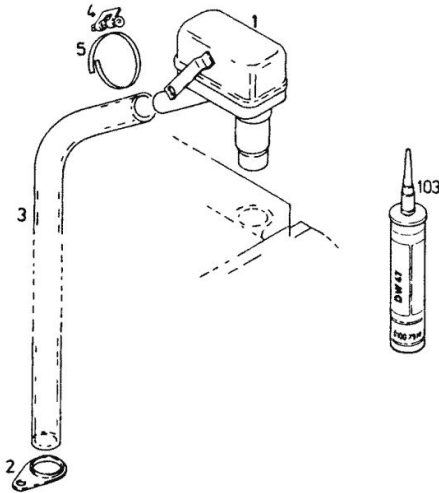
1	02235768	1	box
2	02138266	1	fan
3	01400708	1	flexible hose 19x27x450 H 007760-A19 X27 X 450
4	01179854	1	clamp H 000735-SK 29-1
101	01008383	1	gasket H 000699-DEUTZ DW 47- 75 ML



Entlüftung  
Breather  
Event  
Ventilación

0150- 01-502 7708

1



Section: ENGINE  
**BLANKING PARTS**

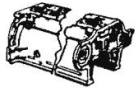
Fig.	P/n	QTY	Name
------	-----	-----	------

Notes:  
[DXab 120]

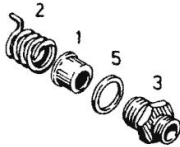
1	02135019	1	tube
2	02237638	1	spring
3	02234350	1	vent
5	01118750	1	oil seal DIN 007603-A 24 X 30 -AL



Verschluss-teile  
Locking parts  
Pièces de fermeture  
Partes de cierre



0150-01-503 0825



Section: ENGINE  
**GEARBOX**

Fig.	P/n	QTY	Name
<b>Notes:</b> [DXab 120]			
1	02236635	1	crankcase BEST. AUS BILD NR. 2 BIS 6 8 BIS 13,21 BIS 24
4	01216107	14	washer 15x23x1,5 H 002308-15 X23X1,5
5	03362279	14	bushing
6	01136990	14	screw DIN 000931-BM14 X110 - 10.9
7	03362379	7	bearing UNDERSIZE SEE POS. 950-955
8	02139737	1	bushing
9	01215235	7	plug
10	01110422	6	screw DIN 000908-M12X1,5-ST
11	01118673	7	oil seal DIN 007603-A 12 X 15,5-CU
12	01216240	1	disc
13	01167266	2	bush H 002341-B11X16
14	02230181	1	shim NORMAL 3.00 MM (0.1181 IN.) OVERSIZE STEP ITEM. 956-959
15	02230170	1	shim NORMAL 3.00 MM (0.1181 IN.) OVERSIZE STEP ITEM. 960-963
16	02234870	1	cover
17	02234134	1	oil seal
18	01016120	1	compound 1 kg H 000699-DEUTZ DW 47- 310 ML
19	01112322	8	screw m 8 p.1.25 x 20 ISO 004017-M 8 X 20 - 8.8-A4C
20	01107101	8	washer 8.4 DIN 000125-A 8,4-140HV-A4C
21	02231082	2	plate
22	01115333	2	self tapping screw ISO 008746- 6 X10-ST -A4C
23	04159934	2	screw
24	04159935	1	oil seal
950	03362380	7	bearing 1. UNDERSIZE STEP 69.75 MM RD. (2.7461 IN.)

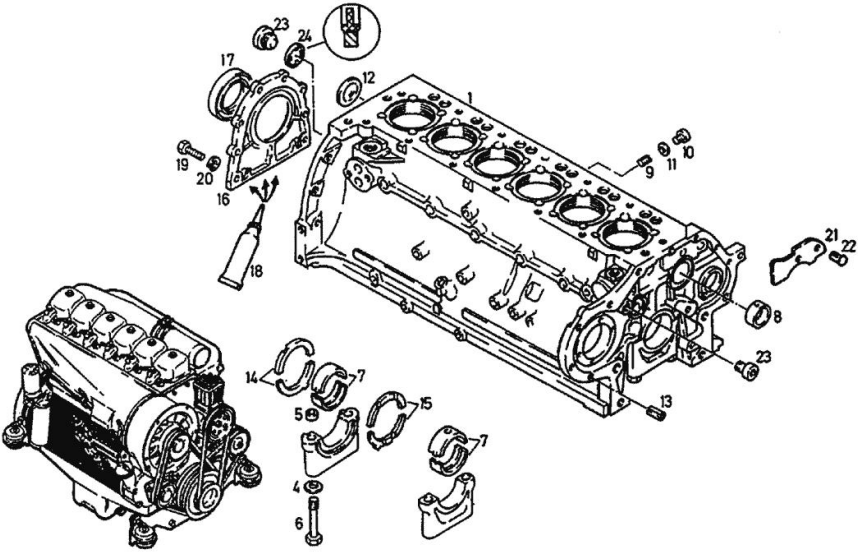


Kurbelgehäuseoberteil

Referenznr.:

0150 -01- 0503 0846

001



Section: ENGINE  
**GEARBOX**

Fig.	P/n	QTY	Name
951	03362381	7	bearing 2. UNDERSIZE STEP 69.50 MM RD. (2.7362 IN.)
952	03362382	7	bearing 3. UNDERSIZE STEP 69.25 MM RD. (2.7263 IN.)
953	03362383	7	bearing 4. UNDERSIZE STEP 69.00 MM RD. (2.7165 IN.)
954	03362384	7	bearing 5. UNDERSIZE STEP 68.75 MM RD. (2.7067 IN.)
955	03362385	7	bearing 6. UNDERSIZE STEP 68.50 MM RD. (2.6969 IN.)
956	02230182	1	shim 1. OVERSIZE 3.25 MM (3.1279 IN.)
957	02230183	1	shim 2. OVERSIZE 3.50 MM (0.1378 IN.)
958	02230184	1	shim 3. OVERSIZE 3.75 MM (0.1476 IN.)
959	02230185	1	shim 4. OVERSIZE 4.00 MM (0.1575 IN.)
960	02230172	1	shim 1. OVERSIZE 3.25 MM (0.1279 IN.)
961	02230173	1	shim 2. OVERSIZE 3.50 MM (0.1378 IN.)
962	02230174	1	shim 3. OVERSIZE 3.75 MM (0.1476 IN.)
963	02230175	1	shim 4. OVERSIZE 4.00 MM (0.1575 IN.)

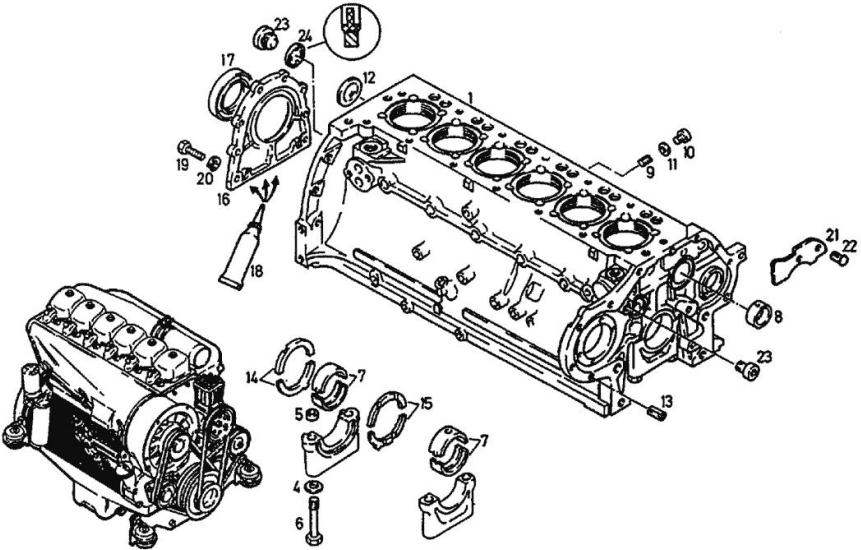


Kurbelgehäuseoberteil

Referenznr.:

0150 -01- 0503 0846

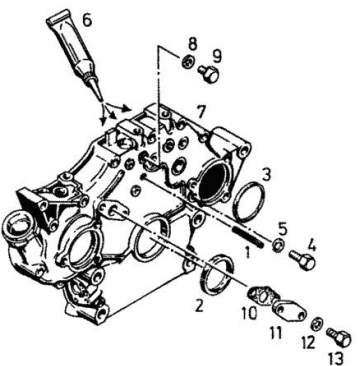
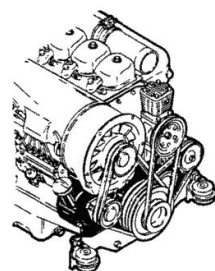
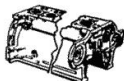
001





Section: ENGINE  
**FRONT COVER**

Fig.	P/n	QTY	Name
<b>Notes:</b> [DXab 120]			
1	01115459	1	pin ISO 008752- 6 X 45
2	02234133	1	oil seal
3	01171243	1	oil seal H 002927- 82 X 3,15 -MVQ-1-50
4	01112295	1	screw m 8 x 10 ISO 004017-M 8 X 10 - 8.8-A4C
5	01102799	1	washer 8, d128 DIN 000128-A 8 -FST -A4C
6	01016120	1	compound 1 kg H 000699-DEUTZ DW 47- 310 ML
7	04158427	1	cover
8	01118669	1	ring DIN 007603-A 10 X 16 -CU
9	01125579	1	screw DIN 000908-M10X1 -ST-ZNPHRF
10	01178417	1	gasket H 002946-22X 44X1,5 -DEUTZ FW 31 CONTAINS ASBESTOS ASBESTOS-FREE, SEE ITEM 950
11	01165854	1	flange H 000713-18
12	01107101	2	washer 8.4 DIN 000125-A 8,4-140HV-A4C
13	01112307	2	screw m 8 p.1.25 x 15, d933 ISO 004017-M 8 X 16 - 8.8-A4C
950	01178417	1	gasket H 002946-22X 44X1,5 -DEUTZ FW 31 ASBESTOS-FREE CONTAINS ASBESTOS SEE ITEM 010



Section: ENGINE  
**TUNNEL COVER**

Fig.	P/n	QTY	Name
------	-----	-----	------

Notes:  
[DXab 120]

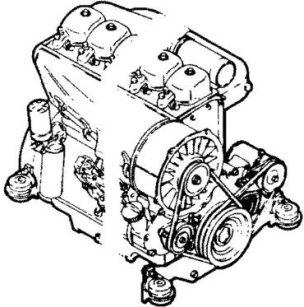
1	02235014	1	cover
---	----------	---	-------



Anbauteile  
Attachments  
Accessoires  
Partes de adosamiento



0150-01-503 2468



Section: ENGINE

**CRANKCASE**

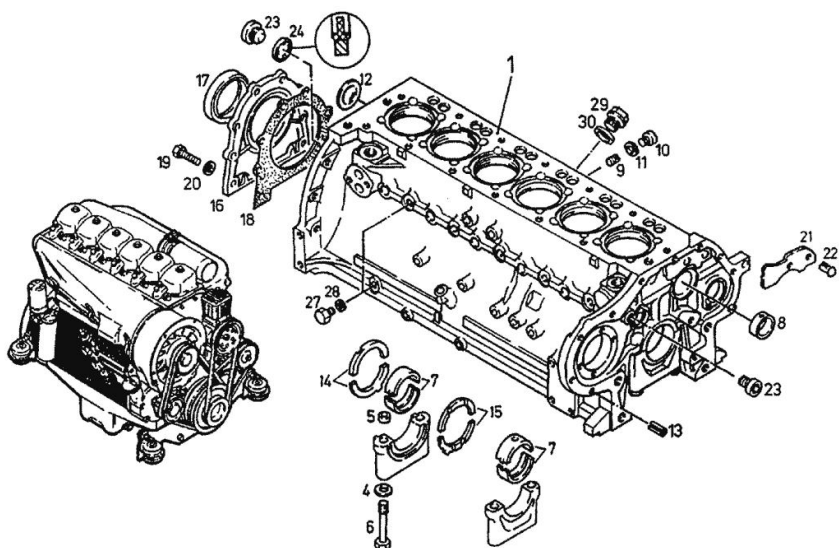
Fig.	P/n	QTY	Name
<b>Notes:</b> [DXab 120]			
1	02236635	1	crankcase WITH LOCKING PARTS BEST. AUS BILD NR.2 BIS 6 8 BIS 13,21 BIS 24,27 BIS 30
4	01216107	14	washer 15x23x1,5 H 002308-15 X23X1,5
5	03362279	14	bushing
6	01136990	14	screw DIN 000931-BM14 X110 - 10.9
7	03362379	7	bearing NORMAL 70.00 MM RD (2.7559 IN.) UNDERSIZE STEP ITEM 950-955
8	02139737	1	bushing
9	01215235	7	plug
10	01110422	6	screw DIN 000908-M12X1,5-ST
11	01118673	7	oil seal DIN 007603-A 12 X 15,5-CU
12	01216240	1	disc
13	01167266	2	bush H 002341-B11X16
14	02230181	1	shim NORMAL 3.00 MM (0.1181 IN.) OVERSIZE STEP ITEM. 956-959
15	02230170	1	shim NORMAL 3.00 MM (0.1181 IN.) OVERSIZE STEP ITEM. 960-963
16	02234870	1	cover
17	02234134	1	oil seal
18	03362337	1	gasket
19	01112322	8	screw m 8 p.1.25 x 20 ISO 004017-M 8 X 20 - 8.8-A4C
20	01107101	8	washer 8.4 DIN 000125-A 8,4-140HV-A4C
21	02231082	2	plate
22	01115333	2	self tapping screw ISO 008746- 6 X10-ST -A4C
23	04159934	2	screw
24	04159935	1	oil seal
27	01118998	4	screw DIN 007604-CM10X1 -ST-A4C



Kurbelgehäuse  
Crankcase  
Carter  
Bloque de cilindros

Referenznr.:  
0150 -01- 0503 4250

002



Thank you so much for reading.  
Please click the “Buy Now!”  
button below to download the  
complete manual.



After you pay.

You can download the most  
perfect and complete manual in  
the world immediately.

Our support email:

[ebooklibonline@outlook.com](mailto:ebooklibonline@outlook.com)