

Section: ENGINE
CRANKCASE

Fig.	P/n	QTY	Name
Notes: [DXab 145]			
1	02232774	1	crankcase BEST. AUS BILD NR.2 BIS 6 8 BIS 13,21 BIS 24,27,28
4	01216107	14	washer 15x23x1,5 H 002308-15 X23X1,5
5	02136619	14	bush
6	02233313	14	screw
7	02235185	7	bearing LAGER F.INNEN U.AUSSEN P.964
8	02139737	1	bushing
9	01215235	7	plug
10	01110422	7	screw DIN 000908-M12X1,5-ST
11	01118673	7	oil seal DIN 007603-A 12 X 15,5-CU
12	01216240	1	disc
13	01167266	2	bush H 002341-B11X16
14	02230196	1	shim NORMAL 3.00 MM (0.1181 IN.) OVERSIZE STEP ITEM. 956-959
15	02230201	1	shim NORMAL 3.00 MM (0.1181 IN.) OVERSIZE STEP ITEM. 960-963
16	02234786	1	cover
17	02234134	1	oil seal
18	01016120	1	compound 1 kg H 000699-DEUTZ DW 47- 310 ML
19	01112322	8	screw m 8 p.1.25 x 20 ISO 004017-M 8 X 20 - 8.8-A4C
20	01107101	8	washer 8.4 DIN 000125-A 8,4-140HV-A4C
21	02231082	1	plate
22	01115333	2	self tapping screw ISO 008746- 6 X10-ST -A4C
23	04159934	2	screw
24	04159935	1	oil seal
27	01118998	1	screw DIN 007604-CM10X1 -ST-A4C
28	01118659	1	oil seal DIN 007603-A 10 X 13,5-CU

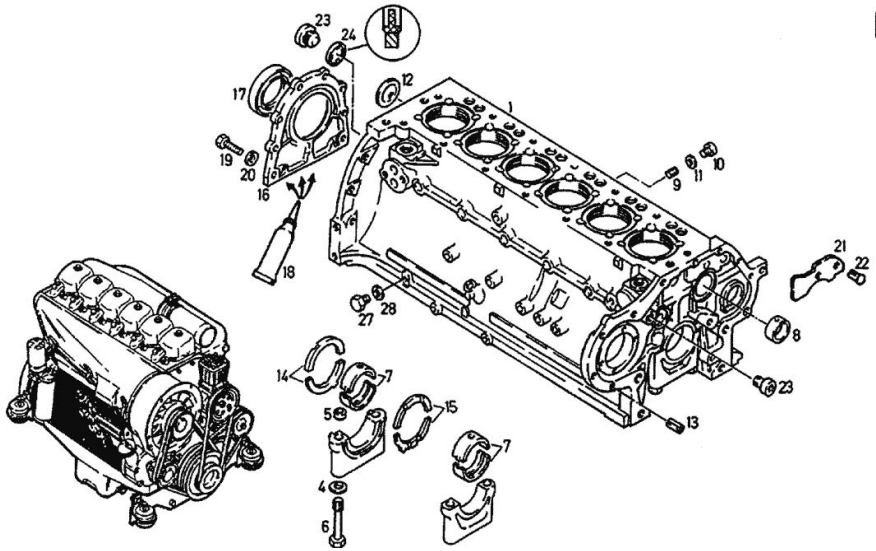


Kurbelgehäuse
Crankcase
Carter
Bloque de cilindros

Referenznr.: 05006528

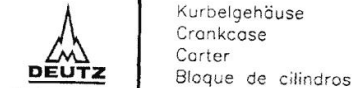
0150 -01- 0503 1798

001



Section: ENGINE
CRANKCASE

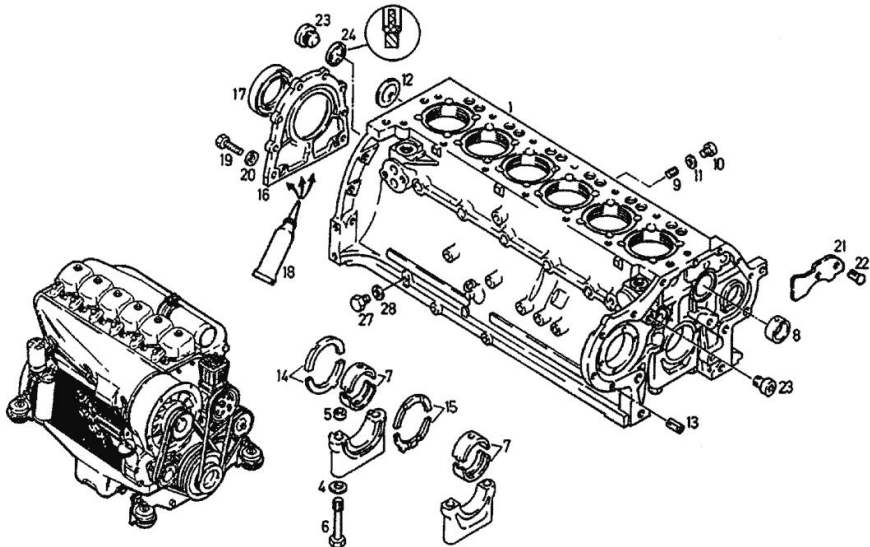
Fig.	P/n	QTY	Name
950	02235189	7	bearing 1. UNDERSIZE STEP 74.75 MM RD. (2.9429 IN.)
951	02235192	7	bearing 2. UNDERSIZE STEP 74.50 MM RD. (2.9331 IN.)
952	02235194	7	bearing 3. UNDERSIZE STEP 74.25 MM RD. (2.9232 IN.)
953	02235196	7	bearing 4. UNDERSIZE STEP 74.00 MM RD. (2.9134 IN.)
954	02235198	7	bearing 5. UNDERSIZE STEP 73.75 MM RD. (2.9035 IN.)
955	02235200	7	bearing 6. UNDERSIZE STEP 73.50 MM RD. (2.8937 IN.)
956	02230197	1	shim 1. OVERSIZE 3.25 MM (0.1279 IN.)
957	02230198	1	shim 2. OVERSIZE 3.50 MM (0.1378 IN.)
958	02230199	1	shim 3. OVERSIZE 3.75 MM (0.1476 IN.)
959	02230200	1	shim 4. OVERSIZE 4.00 MM (0.1575 IN.)
960	02230202	1	shim 1. OVERSIZE 3.25 MM (0.1279 IN.)
961	02230203	1	shim 2. OVERSIZE 3.50 MM (0.1378 IN.)
962	02230204	1	shim 3. OVERSIZE 3.75 MM (0.1476 IN.)
963	02230205	1	shim 4. OVERSIZE 4.00 MM (0.1575 IN.)
964	02235240	7	bearing FUER INNEN(74,75RD)U.AUSSEN



Referenznr.: 05006528

0150 -01- 0503 1798

001



Section: ENGINE
CRANKCASE

Fig.	P/n	QTY	Name
			(79.50RD)

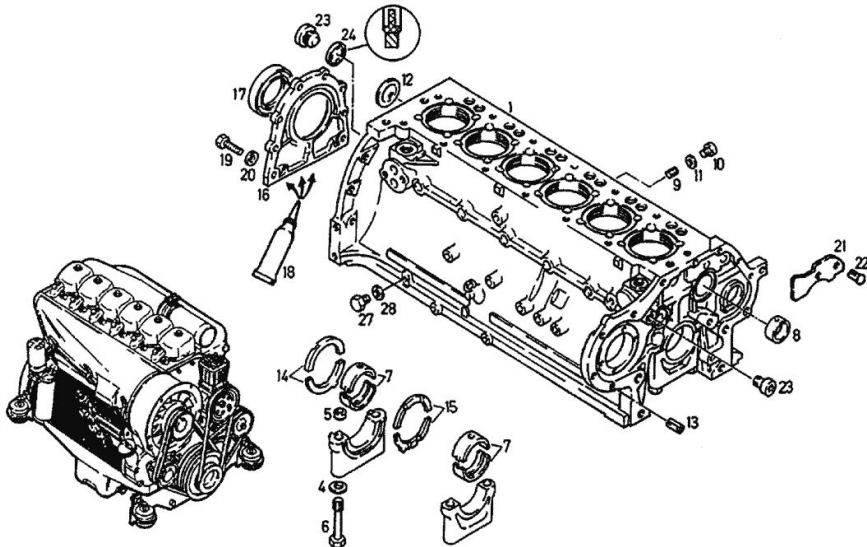


Kurbelgehäuse
Crankcase
Carter
Bloque de cilindros

Referenznr.: 05006528

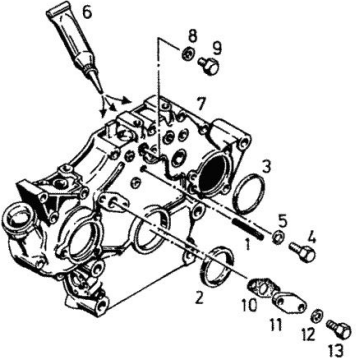
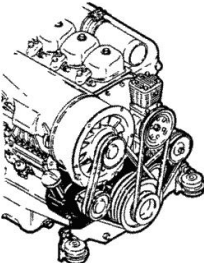
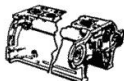
0150 -01- 0503 1798

001



Section: ENGINE
FRONT COVER

Fig.	P/n	QTY	Name
Notes: [DXab 145]			
1	01115459	1	pin ISO 008752- 6 X 45
2	02234133	1	oil seal
3	01171243	1	oil seal H 002927- 82 X 3,15 -MVQ-1-50
4	01112295	1	screw m 8 x 10 ISO 004017-M 8 X 10 - 8.8-A4C
5	01102799	1	washer 8, d128 DIN 000128-A 8 -FST -A4C
6	01016120	1	compound 1 kg H 000699-DEUTZ DW 47- 310 ML
7	04158427	1	cover
8	01118669	1	ring DIN 007603-A 10 X 16 -CU
9	01125579	1	screw DIN 000908-M10X1 -ST-ZNPHRF
10	01178417	1	gasket H 002946-22X 44X1,5 -DEUTZ FW 31 CONTAINS ASBESTOS ASBESTOS-FREE, SEE ITEM 950
11	01165854	1	flange H 000713-18
12	01107101	2	washer 8.4 DIN 000125-A 8,4-140HV-A4C
13	01112307	2	screw m 8 p.1.25 x 15, d933 ISO 004017-M 8 X 16 - 8.8-A4C
950	01178417	1	gasket H 002946-22X 44X1,5 -DEUTZ FW 31 ASBESTOS-FREE CONTAINS ASBESTOS SEE ITEM 010

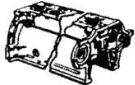


Section: ENGINE
TUNNEL COVER

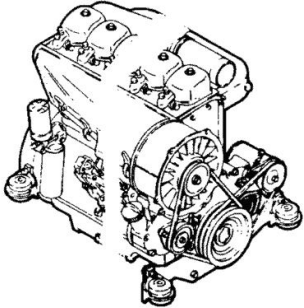
Fig.	P/n	QTY	Name
Notes: [DXab 145]			
1	02235014	1	cover



Anbauteile
Attachments
Accessoires
Partes de adosamiento



0150-01-503 2468

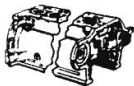


Section: ENGINE
FASTENINGS

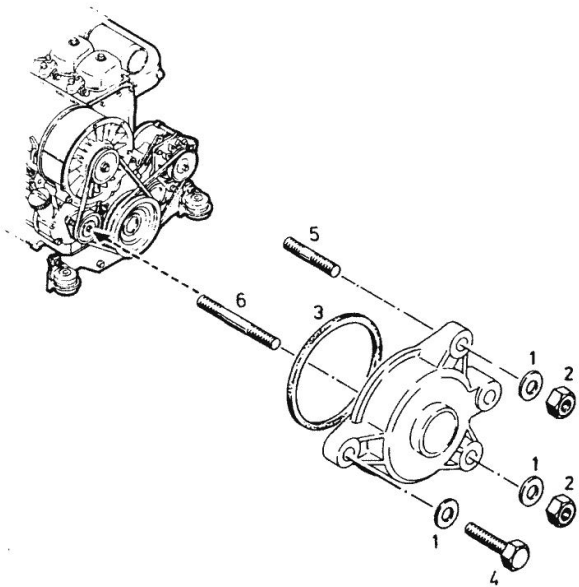
Fig.	P/n	QTY	Name
Notes: [DXab 145]			
1	01216108	3	washer
2	01112824	2	nut m 8, d934 ISO 004032-M 8 - 8-A4C
3	01179670	1	oil seal H 002927- 78 X 3 -MVQ-1-50
4	01174194	1	screw H 002091- 933-M 8 X 30- 8.8-A 4C-MK-2D-BL
5	01174191	1	screw m 8 x 25 H 002091- 835-M 8 X 25- 8.8-A 4C-MK-2D-BL
6	01174192	1	screw H 002091- 835-M 8 X 40- 8.8-A 4C-MK-2D-BL



Befestigungsteile
Fastening parts
Pièces de fixation
Partes de fijación



0150-01-503 4247



DXab 145

Ref: 11.01.20000

Section: ENGINE
TENSION ROLLER

Fig.	P/n	QTY	Name
Notes:			
[DXab 145]			
1	02238071	1	pulley DOUBLE-GROOVED
2	04152524	1	pulley
3	02237959	1	pulley
4	02237846	1	pulley DOUBLE-GROOVED
5	02237849	1	bush
6	02237850	1	washer
7	02237848	1	ring
8	01171646	1	ball bearing H 004450- 2RK 15X 32 X 15 -2R S
9	01100104	1	screw m 10 x 60 DIN 000933-M10 X 60 - 8.8-A4C
11	01107105	1	washer 10.5 DIN 000125-A10,5-140HV-A4C
12	01102659	1	nut m 10, d934 DIN 000934-M10 - 8-A4C
13	02237847	1	cover
14	01136951	3	screw DIN 000965- M 6 X 16 - 4.8 -H -A4C
15	02136434	1	gasket
16	04152532	1	lever
23	04153128	1	cover
24	04153130	1	cover
25	02238022	2	bushing
26	02238021	1	spring
27	02238081	1	shaft
28	02238083	1	washer
30	01115473	1	pin 8 x 40, d1481 ISO 008752- 8 X 40
31	01216123	3	washer
32	01216095	2	washer
33	01107818	2	ring DIN 000472- 32X1,2
34	02238084	1	bushing
35	02238056	1	ring

Deckel
Cover
Couvercle
Tapa

Referenznr.:
0150 -01- 0503 4285

000

1/1

Section: ENGINE
NOZZLE

Fig.	P/n	QTY	Name
------	-----	-----	------

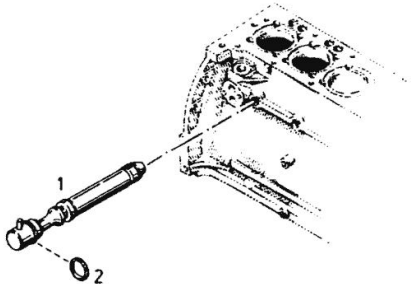
Notes:
[DXab 145]

1	02239591	1	nozzle
2	01173838	1	oil seal H 002927- 9 X 1,5 -FPM-1-70
950	01001202	1	gasket H 000699-DEUTZ DW 49- 1 KG



Spritzdüse	Stück / Zyl. - Einheit
Spray nozzle	Pieces / cyl. unit
Pulversateur	Qté / cylindre
Tobera de dispersión	Cantid. / unid. cilind.

0150-01-503 7653



Section: ENGINE

OIL PAN

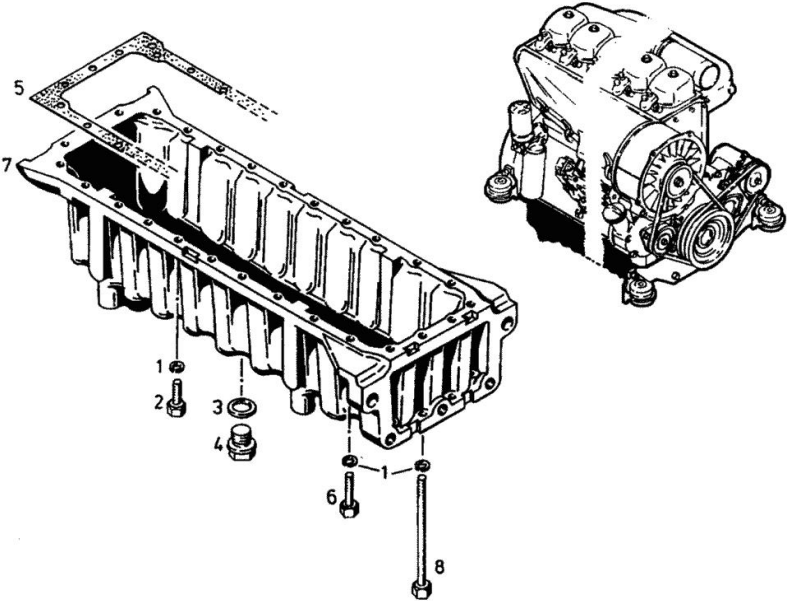
Fig.	P/n	QTY	Name
Notes:			
[DXab 145]			
1	01102799	27	washer 8, d128 DIN 000128-A 8 -FST -A4C
2	01112350	18	screw m 8 x 35 ISO 004017-M 8 X 35 - 8.8-A4C
3	01118783	1	oil seal DIN 007603-A 30 X 36 -AL
4	01118989	1	plug DIN 007604-AM30X1,5 -ST-A4C
5	03362581	1	gasket
6	01124457	2	screw m 8 x 45 ISO 004017-M 8 X 45 - 8.8-A4C
7	02244238	1	oil sump
8	01111243	7	screw ISO 004014- M 8 X200 - 8.8-A4 C



Ölwanne
Oil pan
Carter d'huile
Sumidero de aceite



0150-02-501 6272



Section: ENGINE
OIL PAN

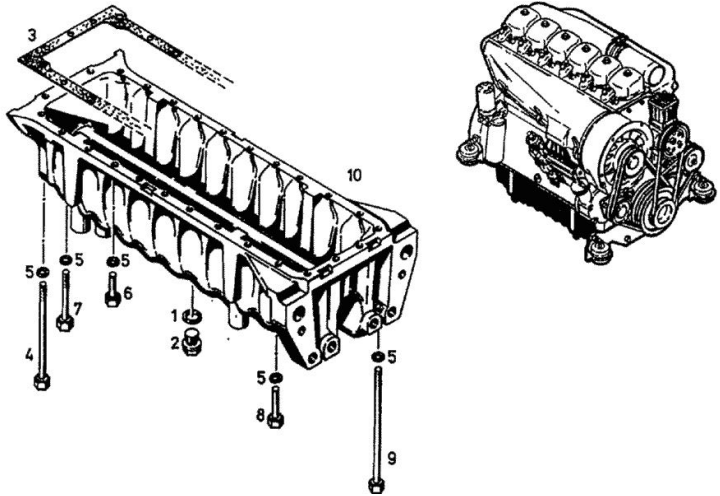
Fig.	P/n	QTY	Name
Notes: [DXab 145]			
1	01118784	1	oil seal 30x36x2 d7603 DIN 007603-A 30 X 36 -CU
2	01220240	1	screw
3	03362581	1	gasket
4	01111243	2	screw ISO 004014- M 8 X200 - 8.8-A4 C
5	01107101	27	washer 8.4 DIN 000125-A 8,4-140HV-A4C
6	01111145	20	screw m 8 x 40 DIN 000931- M 8 X 40 - 8.8-A4 C
7	01111207	1	screw m 8 x 100 ISO 004014- M 8 X100 - 8.8-A4 C
8	01111158	2	screw m 8 p.1.25 x 50 DIN 000931- M 8 X 50 - 8.8-A4 C
9	01111248	2	screw ISO 004014- M 8 X230 - 8.8-A4 C
10	02235600	1	oil sump



Ölwanne
Oil pan
Carter a huile
Carter de aceite

Referenznr.:
0150 -02- 0502 7704

000



Section: ENGINE
CYLINDER

Fig.	P/n	QTY	Name
Notes: [DXab 145]			
1	02236804	1	cylinder NORMAL RD 102.0 MM OVERSIZE STEP ITEM. 950
2	02137256	2	shim mm 0.20 0,2 MM DICK PART ON REQUEST
3	02232963		shim mm 0.50 0,5MM DICK(0.0197IN.)
4	04150264		shim 0,8MM DICK(0,0315IN.)
5	02239331		shim 1,0MM DICK(0,0394IN.)

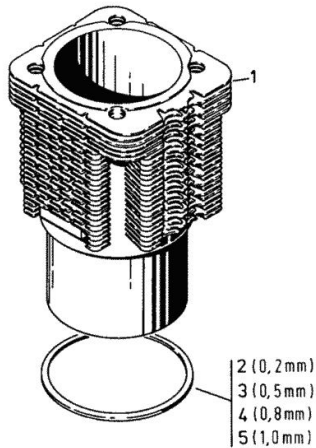


Zylinder
Cylinder
Cylindre
Cilindro

Stück / Zyl.-Einheit
Pieces / cyl. unit
Qté / cylindre
Cantid./unid. cilind.

0150-04-503 2447

2



Thank you so much for reading.
Please click the “Buy Now!”
button below to download the
complete manual.



After you pay.

You can download the most
perfect and complete manual in
the world immediately.

Our support email:

ebooklibonline@outlook.com