

**LOCK**

Fig.	P/n	QTY	Name
------	-----	-----	------

Notes:  
[DXab 160]

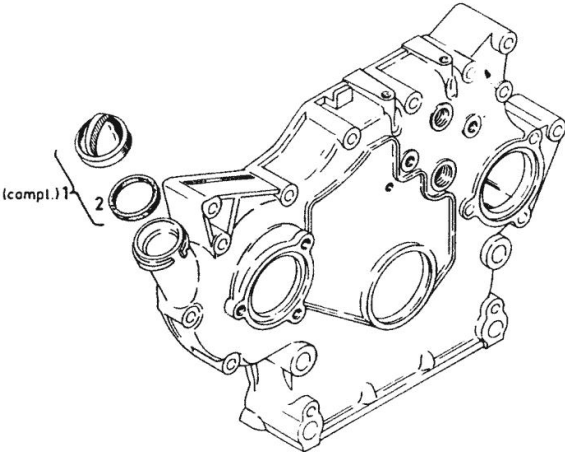
1	01236291	1	plug
2	01236290	1	oil seal



Oleinfüllverschluß  
 Oil filter cap  
 Couvercle de cheminée de remplissage d'huile  
 Tapon de llenado de aceite



0150-01-500 3320



Section: ENGINE  
**TUNNEL COVER**

Fig.	P/n	QTY	Name
------	-----	-----	------

Notes:  
[DXab 160]

1	03362504	1	cover 0150-01-54.05
---	----------	---	------------------------

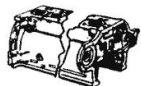


Section: ENGINE  
FASTENINGS

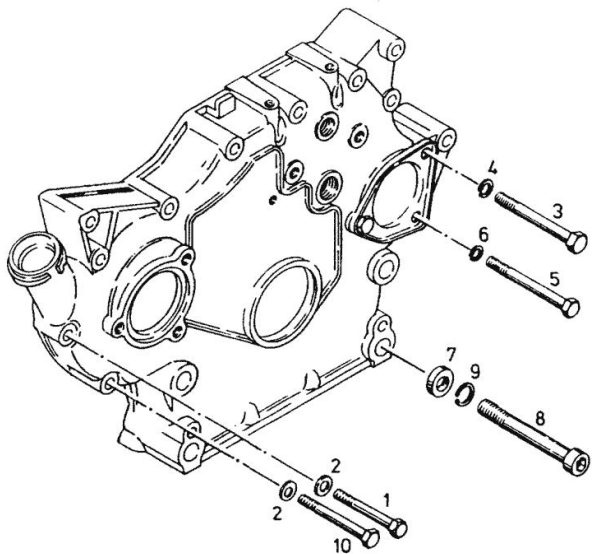
Fig.	P/n	QTY	Name
<b>Notes:</b> [DXab 160]			
1	01127046	1	screw m 8 x 60 ISO 004017-M 8 X 60 - 8.8-A4C
2	01107101	3	washer 8.4 DIN 000125-A 8,4-140HV-A4C
3	01111336	1	screw m 10 x 75 DIN 000931- M10 X 75 - 8.8-A4 C
4	01102800	1	washer 10.2 DIN 000128-A 10 -FST -A4C
5	01122399	1	screw ISO 004014- M 8 X 85 - 8.8-A4 C
6	01102799	1	washer 8, d128 DIN 000128-A 8 -FST -A4C
7	01107556	16	washer DIN 000433-15 -140HV-A4C
8	01102281	4	screw m14x100 d912 DIN 000912- M14 X100 - 8.8-A4 C
9	01127679	4	spring washer DIN 007980-14-FST-A4C
10	01111179	1	screw m 8 x 70, d931 ISO 004014- M 8 X 70 - 8.8-A4 C



Befestigungsteile zum vorderen Deckel  
Fastening parts for front cover  
Pièces de fixation pour couvercle avant  
Partes de fijación para tapa delantera



0150-01-500 3339

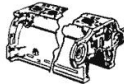


Section: ENGINE

INTERMEDIATE GEAR BEARING

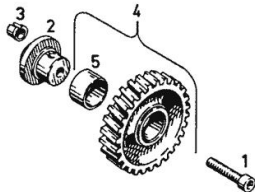


Zwischenradlager  
Idler gear bearing  
Tourillon de pignon intermédiaire  
Soporte para rueda intermedia



0150-01-500 6503

Fig.	P/n	QTY	Name
<b>Notes:</b>			
[DXab 160]			
1	01110688	1	screw DIN 000912- M10 X 60 -10.9-A4 C
2	02234172	1	pin
3	02101007	1	bushing
4	03362541	1	gear
5	03362538	1	bushing



Section: ENGINE  
**CRANKCASE**

Fig.	P/n	QTY	Name
<b>Notes:</b> [DXab 160]			
1	02232774	1	crankcase BEST. AUS BILD NR.2 BIS 6 8 BIS 13,21 BIS 24,27,28
4	01216107	14	washer 15x23x1,5 H 002308-15 X23X1,5
5	02136619	14	bush
6	02233313	14	screw
7	02235185	7	bearing LAGER F.INNEN U.AUSSEN P.964
8	02139737	1	bushing
9	01215235	7	plug
10	01110422	7	screw DIN 000908-M12X1,5-ST
11	01118673	7	oil seal DIN 007603-A 12 X 15,5-CU
12	01216240	1	disc
13	01167266	2	bush H 002341-B11X16
14	02230196	1	shim NORMAL 3.00 MM (0.1181 IN.) OVERSIZE STEP ITEM. 956-959
15	02230201	1	shim NORMAL 3.00 MM (0.1181 IN.) OVERSIZE STEP ITEM. 960-963
16	02234786	1	cover
17	02234134	1	oil seal
18	01016120	1	compound 1 kg H 000699-DEUTZ DW 47- 310 ML
19	01112322	8	screw m 8 p.1.25 x 20 ISO 004017-M 8 X 20 - 8.8-A4C
20	01107101	8	washer 8.4 DIN 000125-A 8,4-140HV-A4C
21	02231082	1	plate
22	01115333	2	self tapping screw ISO 008746- 6 X10-ST -A4C
23	04159934	2	screw DIN 007604-CM10X1 -ST-A4C
24	04159935	1	oil seal
27	01118998	1	screw DIN 007604-CM10X1 -ST-A4C
28	01118659	1	oil seal DIN 007603-A 10 X 13,5-CU

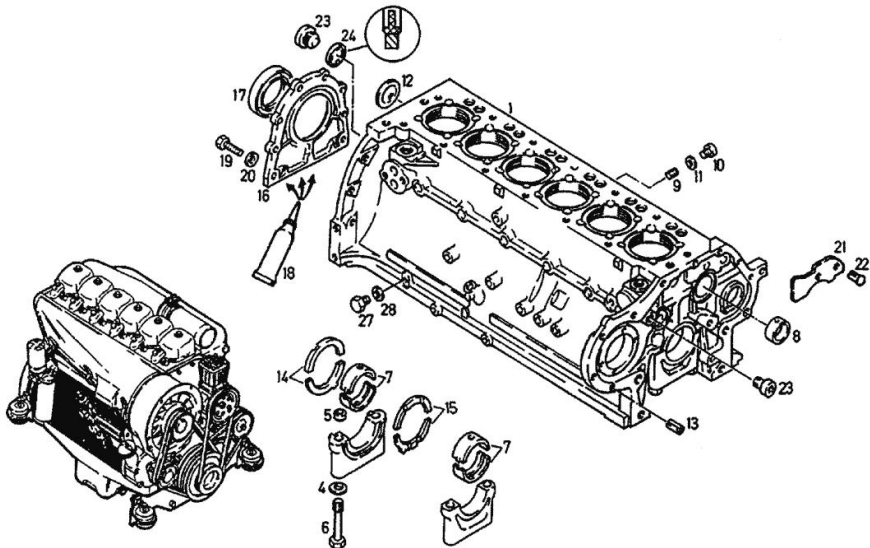


Kurbelgehäuse  
Crankcase  
Carter  
Bloque de cilindros

Referenznr.: 05006528

0150 -01- 0503 1798

001



Section: ENGINE  
CRANKCASE

Fig.	P/n	QTY	Name
950	02235189	7	bearing 1. UNDERSIZE STEP 74.75 MM RD. (2.9429 IN.)
951	02235192	7	bearing 2. UNDERSIZE STEP 74.50 MM RD. (2.9331 IN.)
952	02235194	7	bearing 3. UNDERSIZE STEP 74.25 MM RD. (2.9232 IN.)
953	02235196	7	bearing 4. UNDERSIZE STEP 74.00 MM RD. (2.9134 IN.)
954	02235198	7	bearing 5. UNDERSIZE STEP 73.75 MM RD. (2.9035 IN.)
955	02235200	7	bearing 6. UNDERSIZE STEP 73.50 MM RD. (2.8937 IN.)
956	02230197	1	shim 1. OVERSIZE 3.25 MM (0.1279 IN.)
957	02230198	1	shim 2. OVERSIZE 3.50 MM (0.1378 IN.)
958	02230199	1	shim 3. OVERSIZE 3.75 MM (0.1476 IN.)
959	02230200	1	shim 4. OVERSIZE 4.00 MM (0.1575 IN.)
960	02230202	1	shim 1. OVERSIZE 3.25 MM (0.1279 IN.)
961	02230203	1	shim 2. OVERSIZE 3.50 MM (0.1378 IN.)
962	02230204	1	shim 3. OVERSIZE 3.75 MM (0.1476 IN.)
963	02230205	1	shim 4. OVERSIZE 4.00 MM (0.1575 IN.)
964	02235240	7	bearing FUER INNEN(74,75RD)U.AUSSEN

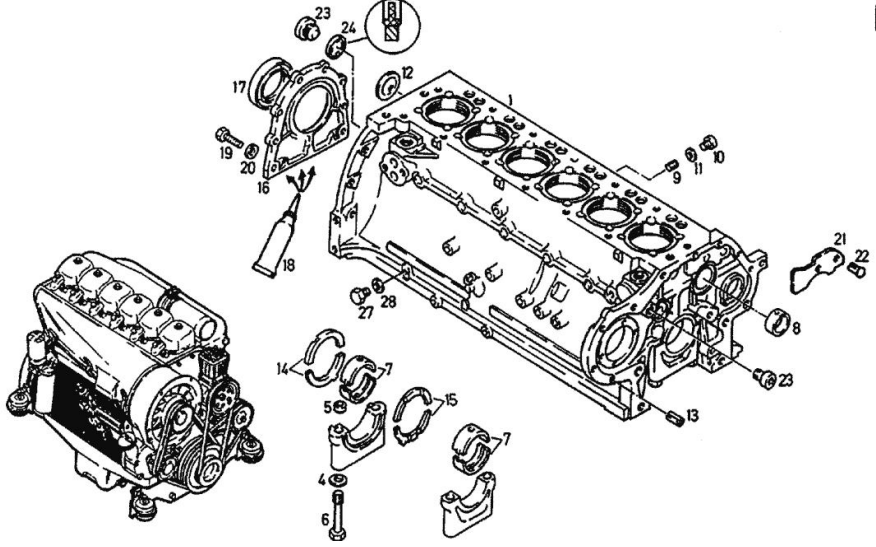


Kurbelgehäuse  
Crankcase  
Carter  
Bloque de cilindros

Referenznr.: 05006528

0150 -01- 0503 1798

001



Section: ENGINE  
**CRANKCASE**

Fig.	P/n	QTY	Name
			(79.50RD)

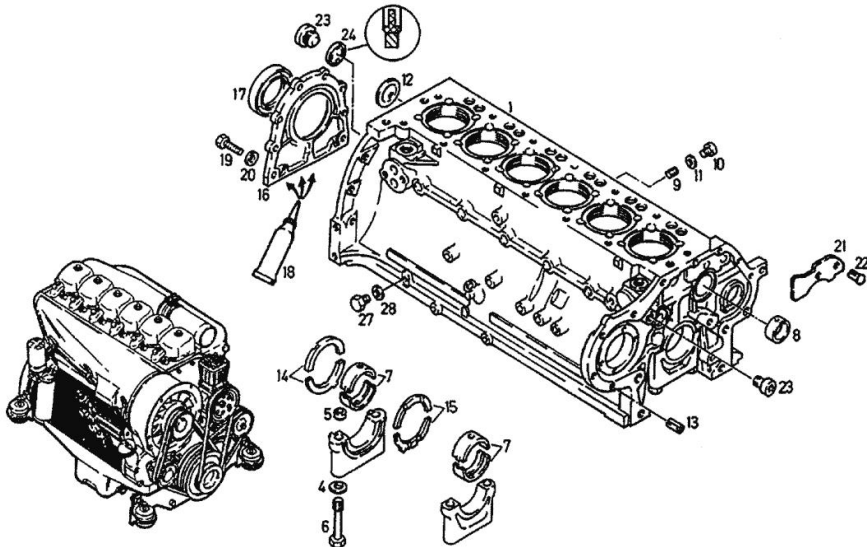


Kurbelgehäuse  
Crankcase  
Carter  
Bloque de cilindros

Referenznr.: 05006528

0150 -01- 0503 1798

001



Section: ENGINE  
**FRONT COVER**

Fig.	P/n	QTY	Name
<b>Notes:</b> [DXab 160]			
1	01115459	1	pin ISO 008752- 6 X 45
2	04150782	1	special oil seal
3	01166111	1	oil seal H 002927- 80 X 3 -MVQ-1-50
4	01102396	1	screw ISO 004017-M 8 X 8 - 8.8-A4C
6	01007909	1	gasket H 000699-DEUTZ DW 47-1000 CCM
7	04158432	1	cover

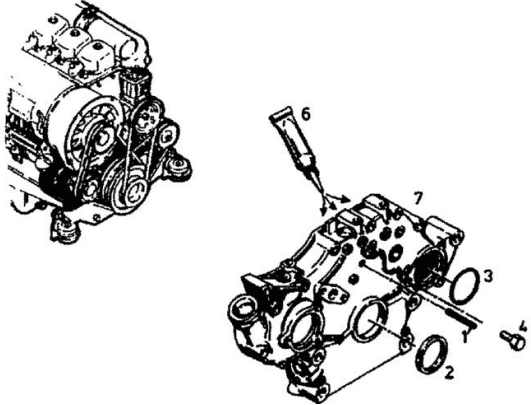


Vorderer Deckel  
Front cover  
Couvercle avant  
Tapa delantera

Referenznr.:

0150 -01- 0503 1842

001





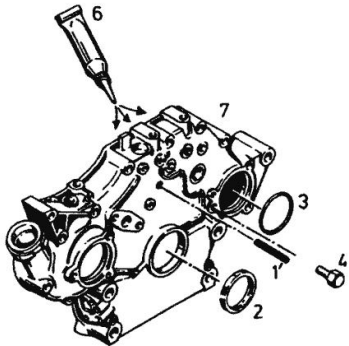
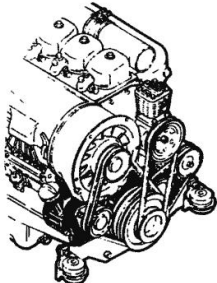
Section: ENGINE  
**FRONT COVER**

Fig.	P/n	QTY	Name
<b>Notes:</b> [DXab 160]			
1	01115459	1	pin ISO 008752- 6 X 45
2	02234133	1	oil seal
3	01180084	1	oil seal H 002927- 82 X 3,15K -MVQ-1-5 0
4	01102396	1	screw ISO 004017-M 8 X 8 - 8.8-A4C
6	01008383	3	gasket H 000699-DEUTZ DW 47- 75 ML
7	04158431	1	cover



Vorderer Deckel  
Front cover  
Couvercle avant  
Tapa delantera

0150—01—503 1845

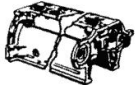


Section: ENGINE  
**TUNNEL COVER**

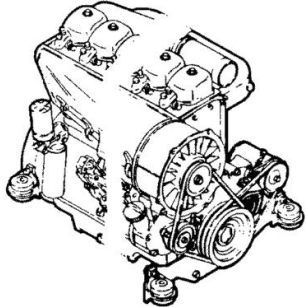
Fig.	P/n	QTY	Name
<b>Notes:</b> [DXab 160]			
1	02235014	1	cover



Anbauteile  
Attachments  
Accessoires  
Partes de adosamiento



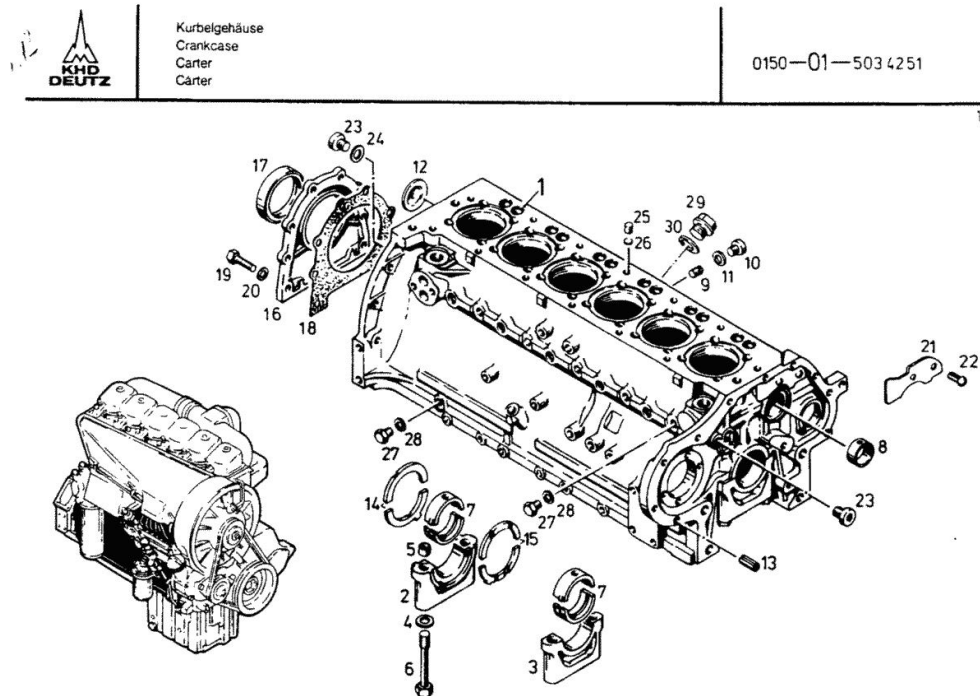
0150-01-503 2468



Section: ENGINE

**CRANKCASE**

Fig.	P/n	QTY	Name
<b>Notes:</b>			
[DXab 160]			
1	02236669	1	crankcase WITH LOCKING PARTS BEST. AUS BILD NR. 2 BIS 6, 8 TO 13, 21 TO 30
4	01216107	14	washer 15x23x1,5 H 002308-15 X23X1,5
5	03362279	14	bushing
6	02233313	14	screw
7	02235185	7	bearing NORMAL 75.00 MM RD (2.9528 IN.) UNDERSIZE STEP SEE ITEM 950-955 LAGER F.INNEN U.AUSSEN POS964
8	02139737	1	bushing
9	01215235	7	plug
10	01110422	7	screw DIN 000908-M12X1,5-ST
11	01118673	7	oil seal DIN 007603-A 12 X 15,5-CU
12	01216240	1	disc
13	01167266	2	bush H 002341-B11X16
14	02230196	1	shim NORMAL 3.00 MM (0.1181 IN.) OVERSIZE STEP ITEM. 956-959
15	02230201	1	shim NORMAL 3.00 MM (0.1181 IN.) OVERSIZE STEP ITEM. 960-963
16	02234870	1	cover
17	02234134	1	oil seal
18	03362337	1	gasket
19	01112322	8	screw m 8 p.1.25 x 20 ISO 004017-M 8 X 20 - 8.8-A4C
20	01107101	8	washer 8.4 DIN 000125-A 8,4-140HV-A4C
21	02231082	1	plate
22	01115333	2	self tapping screw ISO 008746- 6 X10-ST -A4C
23	04159934	2	screw
24	04159935	1	oil seal
25	01170580	5	plug H 002855-A 8X 8



Thank you so much for reading.  
Please click the “Buy Now!”  
button below to download the  
complete manual.



After you pay.

You can download the most  
perfect and complete manual in  
the world immediately.

Our support email:

[ebooklibonline@outlook.com](mailto:ebooklibonline@outlook.com)