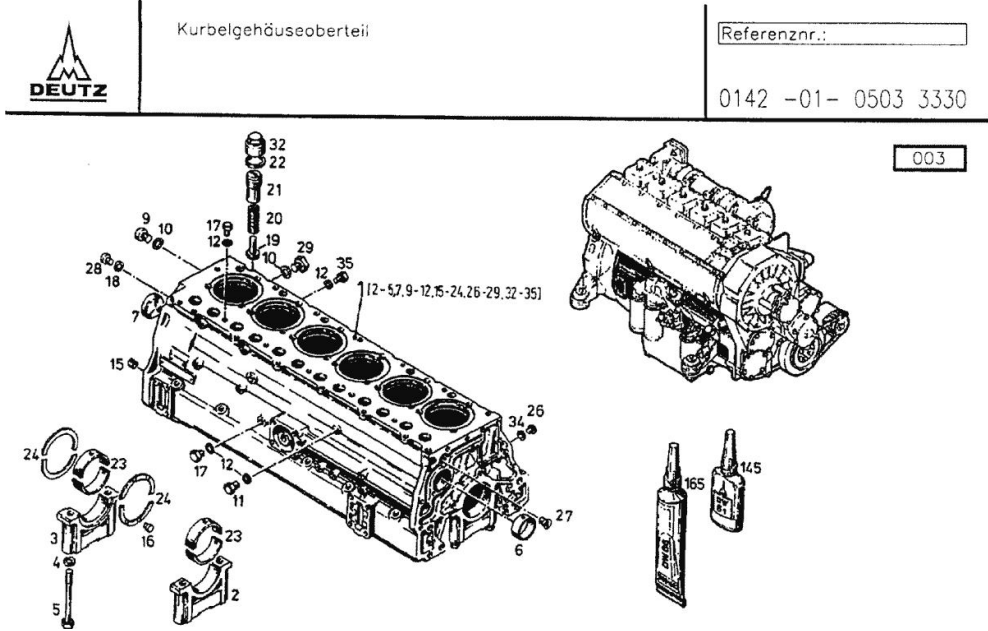


Section: ENGINE
GEARBOX

Fig.	P/n	QTY	Name
Notes: [DXab 250]			
1	04143235	1	crankcase BEST.AUS BILD-POS.2-5,7,9-12,
2	02196792	6	cover F.KURBELW.LAGER
3	02191854	1	cover F.PASSLAGER
4	02408062	14	washer
5	01104860	14	screw DIN 000931-BM16 X170X 57 - 12 .9-A
6	04149797	6	bushing
7	02403129	1	cover
9	01125788	1	plug DIN 000908-M20X1,5-ST-ZNPHRF
10	01118727	2	oil seal DIN 007603-A 20 X 24 -CU
11	01112382	4	screw DIN 000933-M10 X 10 - 8.8-A4C
12	01118659	9	oil seal DIN 007603-A 10 X 13,5-CU
15	02148423	2	bushing
16	03362280	2	pin
17	01118998	4	screw DIN 007604-CM10X1 -ST-A4C
18	01118707	1	ring 16 DIN 007603-A 16 X 22 -CU
19	02403032	1	piston
20	02403033	1	spring
21	02417467	1	register WAHLW.POS.960
22	01118784	1	oil seal 30x36x2 d7603 DIN 007603-A 30 X 36 -CU
23	02141738	7	bearing NORMAL 103.00 MM RD (4.0551 IN.) WW.POS.950-955
24	02197674	4	ring NORMAL 2.93 MM RD (0.1154 IN.) OVERSIZE STEP ITEM. 956-959
26	01137743	2	plug m 14 p.1.5 DIN 000908-M14X1,5-ST-A4C
27	02145990	1	screw



Section: ENGINE
GEARBOX

Fig.	P/n	QTY	Name
28	01124758	1	screw DIN 000908-M16X1,5-ST
29	02147097	1	screw
32	02416414	1	nut
34	01118688	2	ring 14x17 DIN 007603-A 14 X 18 -CU
35	02147098	1	screw
145	01016129		compound 1 kg H 000699-DEUTZ DW 61- 500 ML H699-DEUTZ DW61-250
165	01091503		gasket dw66 H 000699-DEUTZ DW 66- 250 ML H699-DEUTZ DW66-250
950	02143305	7	bearing 1. UNDERSIZE STEP 102.75 MM RD. (4.0453 IN.)
951	02142317	7	bearing 2. UNDERSIZE STEP102.50 MM RD. (4.0354 IN.)
952	02143316	7	bearing 3. UNDERSIZE STEP 102.25 MM RD. (4.0256 IN.)
953	02142320	7	bearing 4. UNDERSIZE STEP 102.00 MM RD. (4.0158 IN.)
954	02143319	7	bearing 5. UNDERSIZE STEP 101.75 MM RD. (4.0059 IN.)
955	02142323	7	bearing 6. UNDERSIZE STEP 101.50 MM RD. (3.9961 IN.)
956	02147542	4	shim 1. OVERSIZE 3.18 MM (0.1252 IN.)
957	02147543	4	shim 2. OVERSIZE 3.43 MM (0.1350 IN.)
958	02147544	4	shim 3. OVERSIZE 3.68 MM (0.1449 IN.)
959	02147545	4	shim 4. OVERSIZE 3.93 MM (0.1547 IN.)
960	02414987	1	screw

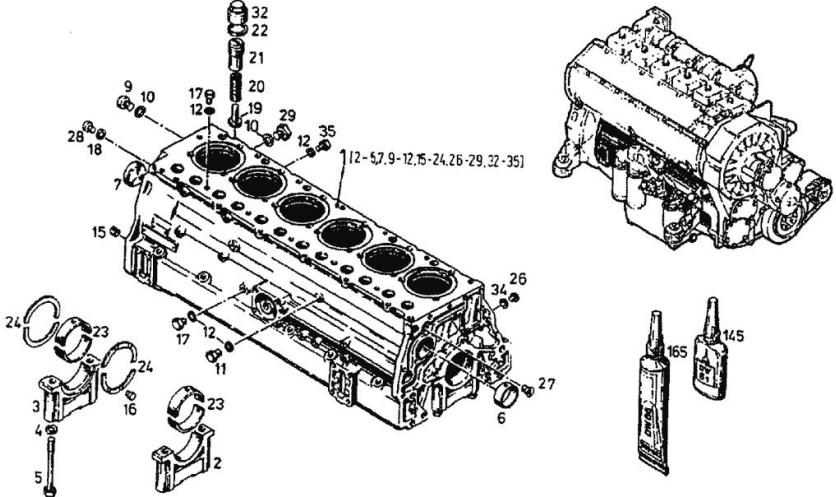


Kurbelgehäuseoberteil

Referenznr.:

0142 -01- 0503 3330

003



Section: ENGINE
FRONT COVER

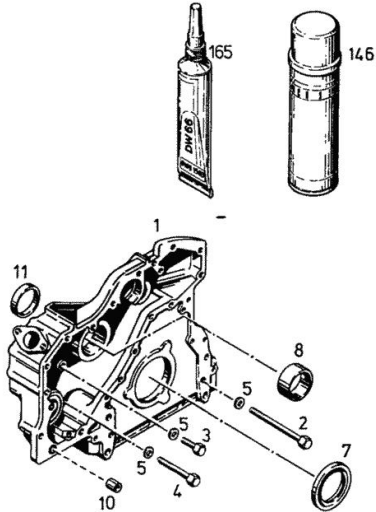
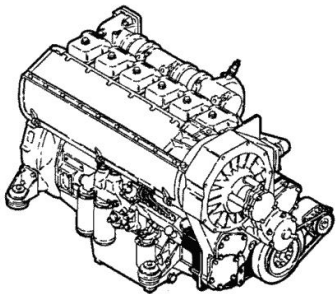
Fig.	P/n	QTY	Name
Notes: [DXab 250]			
1	04148112	1	set of gears
2	01111221	3	screw ISO 004014- M 8 X130 - 8.8-A4 C
3	01112341	5	screw m 8 x 30, d933 ISO 004017-M 8 X 30 - 8.8-A4C
4	01111179	2	screw m 8 x 70, d931 ISO 004014- M 8 X 70 - 8.8-A4 C
5	01107101	10	washer 8.4 DIN 000125-A 8,4-140HV-A4C
7	04146007	1	special oil seal
8	04148277	1	bushing
10	01167266	1	bush H 002341-B11X16
11	04148278	1	ring
12	01110242	1	screw DIN 000835-M10 SN4X 35 - 8.8- A4C
146	01016129	1	compound 1 kg H 000699-DEUTZ DW 61- 500 ML
165	01091503	1	gasket dw66 H 000699-DEUTZ DW 66- 250 ML H699-DEUTZ DW66-250/0,005
181	01009738	1	gasket H 000699-DEUTZ DW 68



Vorderer Deckel
Front cover
Couvercle avant
Tapa delantera

0142-01-5033334

3



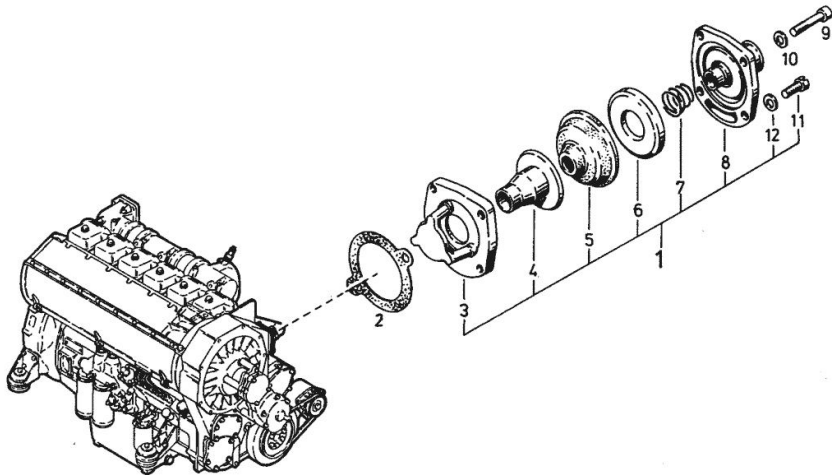
Section: ENGINE
BREATHER

Fig.	P/n	QTY	Name
Notes: [DXab 250]			
1	04143262	1	valve WITH ITEM 4-7,11,12,
2	04185700	1	gasket
4	02233330	1	piston
5	02239105	1	none
6	04150286	1	plate
7	02236969	1	spring
9	01110529	2	screw m 6 p.1 x 35 DIN 000912- M 6 X 35 - 8.8-A4 C
10	01124654	2	washer 6,4 d433 DIN 000433- 6,4-140HV-A4C
11	01105544	2	screw ISO 001207- M 6 X 20- 4.8- A4 C
12	01124654	2	washer 6,4 d433 DIN 000433- 6,4-140HV-A4C

DEUTZ
Entlüftung
Breather
Évent
Ventilación



0142-01-503 3346



Section: ENGINE
BREATHER

Fig.	P/n	QTY	Name
------	-----	-----	------

Notes:
[DXab 250]

1	04146406	1	tube
2	01113212	1	nut DIN 000936-M30X1,5 -22H-A-A4C
3	01118784	1	oil seal 30x36x2 d7603 DIN 007603-A 30 X 36 -CU
4	01173968	2	clamp Ø 25/40 H 003461-B13 C 25- 40-W1
5	01173441	1	sleeve H 003407- 30X 38X 50
6	01112322	2	screw m 8 p.1.25 x 20 ISO 004017-M 8 X 20 - 8.8-A4C
7	01112824	2	nut m 8, d934 ISO 004032-M 8 - 8-A4C
8	01107283	2	washer 8.2 DIN 000137-B 8-FST-A4C
9	04145667	2	fascia

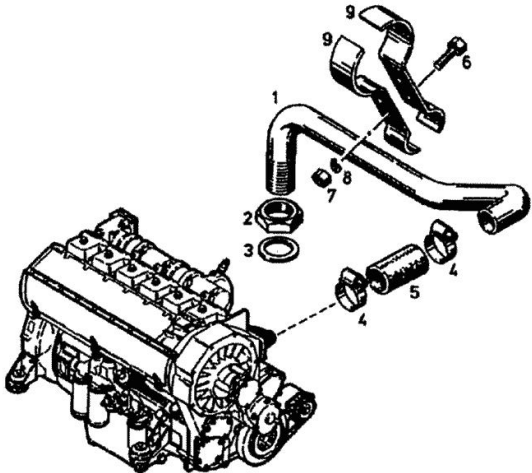


Entlüftung
Breather
Desoerage/ventilation
Desaireación

Referenznr.:

0142 -01- 0503 3347

001



Section: ENGINE

GUIDE PIPE

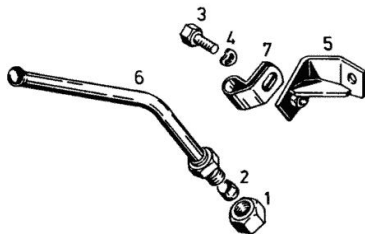
Fig.	P/n	QTY	Name
Notes:			
[DXab 250]			
1	01116651	1	nut H 003105- CL12 -ST
2	01116637	1	ring H 003107-F S12-ST
3	01103316	1	screw m 6 p.1.0 x 16 ISO 004017-M 6 X 16 - 8.8-A4C
4	01107095	1	washer 6.4 DIN 000125-A 6,4-140HV-A4C
5	04145863	1	tube
6	04145867	1	tube
7	03361634	1	fascia



Führungsrohr
Guide pipe
Tube de guidage
Tubo de guía



0142-01-503 3412




DIPSTICK

Fig.	P/n	QTY	Name
------	-----	-----	------

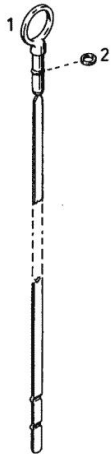
Notes:
[DXab 250]

1	01173963	1	position sensor H 003535-B - 505- 450X 40
2	01165973	1	ring 5x1,5 H 002927- 5 X 1,5 -NBR-1-60


 Ölmeßstab
 Oil dipstick
 Jauge de niveau d'huile
 Varilla de sondeo para nivel de aceite



0142-01-503 3413



Section: ENGINE
OIL FILLER NECK

Fig.	P/n	QTY	Name
------	-----	-----	------

Notes:
[DXab 250]

1	01178421	1	gasket H 002946-35X 58X1,5 -DEUTZ FW 31
2	01107283	2	washer 8.2 DIN 000137-B 8-FST-A4C
3	01122477	2	nut m 8 p.1.25 ISO 004032-M 8 -10-A4C
4	01211729	1	cover
5	01216293	1	oil seal
6	01112240	1	screw m 6 x 12 ISO 004017-M 6 X 12 - 8.8-A4C
7	01126726	1	spring disc b6 d137 DIN 000137-B 6-FST-A4C
8	04146011	1	vent
9	01173187	1	fascia H 003223-B35X15-W1/CR70-10

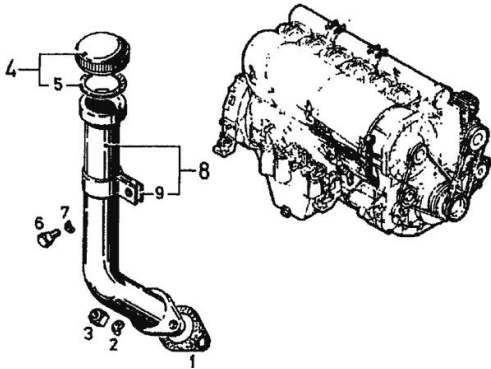


Öleinfüllung
Oil filtre
Remplissage d'huile
Llenado de aceite

Referenznr.:

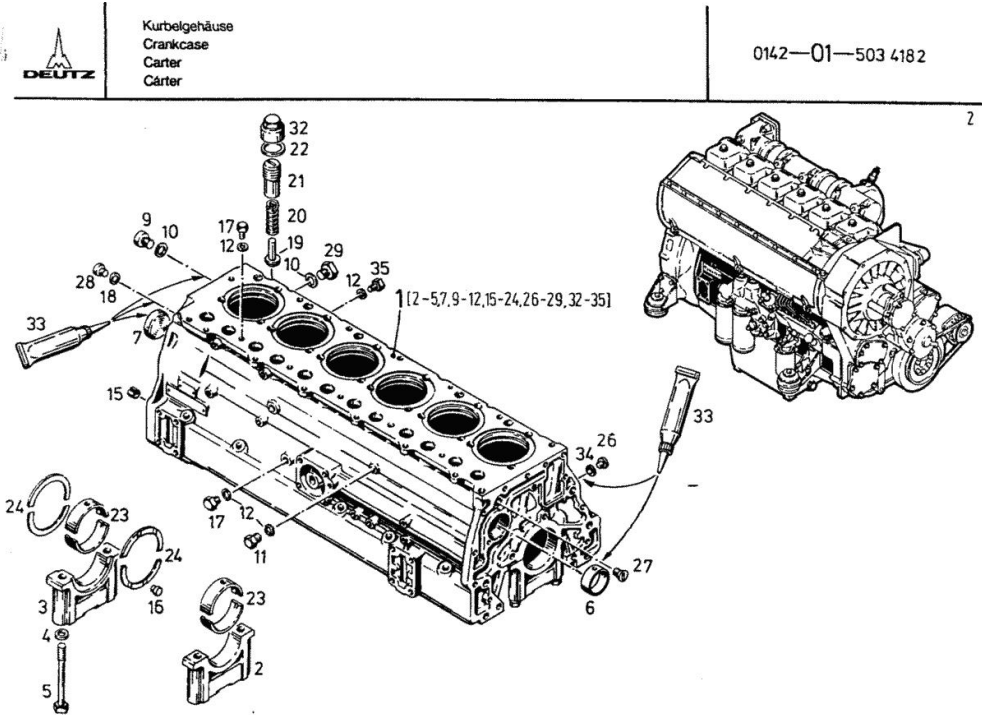
0142 -01- 0503 4070

000



Section: ENGINE
CRANKCASE

Fig.	P/n	QTY	Name
Notes: [DXab 250]			
1	04146228	1	crankcase 15-24,26-29,32-35
2	02196792	6	cover F.KURBELW.LAGER
3	02191854	1	cover F.PASSLAGER
4	02408062	14	washer
5	01104860	14	screw DIN 000931-BM16 X170X 57 - 12 .9-A
6	04149797	6	bushing
7	02403129	1	cover
9	01125788	1	plug DIN 000908-M20X1,5-ST-ZNPHRF
10	01118727	2	oil seal DIN 007603-A 20 X 24 -CU
11	01112382	4	screw DIN 000933-M10 X 10 - 8.8-A4C
12	01118659	9	oil seal DIN 007603-A 10 X 13,5-CU
15	02148423	2	bushing
16	03362280	2	pin
17	01118998	4	screw DIN 007604-CM10X1 -ST-A4C
18	01118707	1	ring 16 DIN 007603-A 16 X 22 -CU
19	02403032	1	piston
20	02403033	1	spring
21	02417467	1	register WAHLWEISE POS.960
22	01118784	1	oil seal 30x36x2 d7603 DIN 007603-A 30 X 36 -CU
23	02141738	7	bearing NORMAL 103.00 MM RD (4.0551 IN.) UNDERSIZE STEP ITEM. 950-956
24	02197674	4	ring NORMAL 2.93 MM RD (0.1154 IN.) OVERSIZE STEP ITEM. 956-959
26	01137743	2	plug m 14 p.1.5 DIN 000908-M14X1,5-ST-A4C
27	02145990	1	screw



DXab 250

Ref: 11.01.20000

Section: ENGINE
CRANKCASE

Fig.	P/n	QTY	Name
28	01124758	1	screw DIN 000908-M16X1,5-ST
29	02147097	1	screw
32	02416414	1	nut
34	01118688	2	ring 14x17 DIN 007603-A 14 X 18 -CU
35	02147098	1	screw
145	01016129	1	compound 1 kg H 000699-DEUTZ DW 61- 500 ML H699-DEUTZ DW61-250
165	01091503		gasket dw66 H 000699-DEUTZ DW 66- 250 ML H699 DEUTZ DW66-250
950	02143305	7	bearing 1. UNDERSIZE STEP 102.75 MM RD. (4.0453 IN.)
951	02142317	7	bearing 2. UNDERSIZE STEP102.50 MM RD. (4.0354 IN.)
952	02143316	7	bearing 3. UNDERSIZE STEP 102.25 MM RD. (4.0256 IN.)
953	02142320	7	bearing 4. UNDERSIZE STEP 102.00 MM RD. (4.0158 IN.)
954	02143319	7	bearing 5. UNDERSIZE STEP 101.75 MM RD. (4.0059 IN.)
955	02142323	7	bearing 6. UNDERSIZE STEP 101.50 MM RD. (3.9961 IN.)
956	02147542	4	shim 1. OVERSIZE 3.18 MM (0.1252 IN.)
957	02147543	4	shim 2. OVERSIZE 3.43 MM (0.1350 IN.)
958	02147544	4	shim 3. OVERSIZE 3.68 MM (0.1449 IN.)
959	02147545	4	shim 4. OVERSIZE 3.93 MM (0.1547 IN.)
960	02414987	1	screw

DEUTZ

Kurbelgehäuse
Crankcase
Carter
Carter

0142-01-503 418 2

2

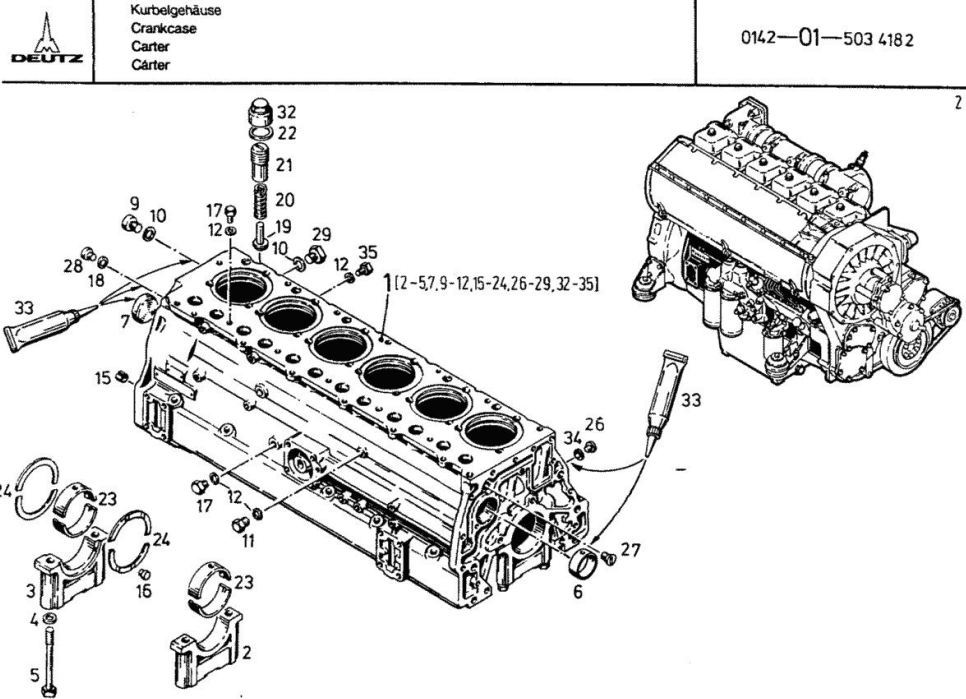
1 [2-5,7,9-12,15-24,26-29,32-35]

2/3

Section: ENGINE
CRANKCASE

Fig.	P/n	QTY	Name
------	-----	-----	------

WAHLWEISE POS.21



Thank you so much for reading.
Please click the “Buy Now!”
button below to download the
complete manual.



After you pay.

You can download the most
perfect and complete manual in
the world immediately.

Our support email:

ebooklibonline@outlook.com