

Section: ENGINE

**LOCK**

Fig.	P/n	QTY	Name
------	-----	-----	------

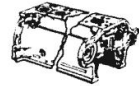
**Notes:**

[DXab 80]

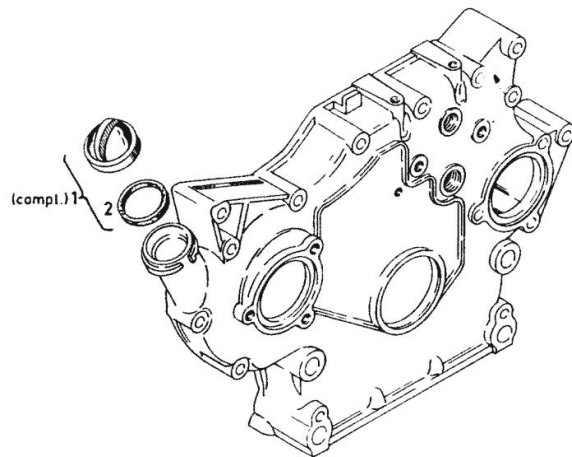
1	01236291	1	plug
2	01236290	1	oil seal



Oleinfüllverschluß  
Oil filter cap  
Couvercle de cheminée de remplissage d'huile  
Tapon de llenado de aceite



0150-01-500 3320



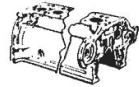
Section: ENGINE

**COVER**

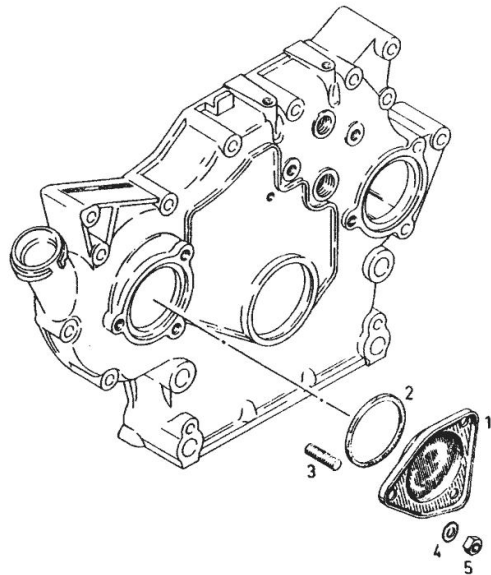
Fig.	P/n	QTY	Name
<b>Notes:</b>			
[DXab 80]			
1	04152404	1	cover
2	01166110	1	ring H 002927- 80 X 3 -NBR-1-60
3	01178540	3	screw H 002091- 835-M 8 X 16- 8.8-A 4C-MK-1,5D-BL
4	01216143	3	ring
5	01112824	3	nut m 8, d934 ISO 004032-M 8 - 8-A4C



Verschlußdeckel für Spritzversteller  
Cover for advance/retard unit  
Couvercle pour avance automatique  
Tapa de cierre para graduador de avance de inyección



0150-01-500 3331



Section: ENGINE

**INTERMEDIATE GEAR BEARING**

Fig.	P/n	QTY	Name
------	-----	-----	------

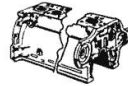
**Notes:**

[DXab 80]

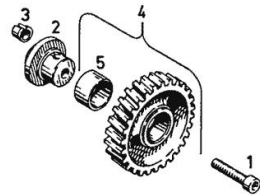
1	01110688	1	screw DIN 000912- M10 X 60 -10.9-A4 C
2	02234172	1	pin
3	02101007	1	bushing
4	03362541	1	gear
5	03362538	1	bushing



Zwischenradlagerung  
Idler gear bearing  
Tourillon de pignon intermédiaire  
Soporte para rueda intermedia



0150-01-500 6503



Section: ENGINE

**FASTENINGS**

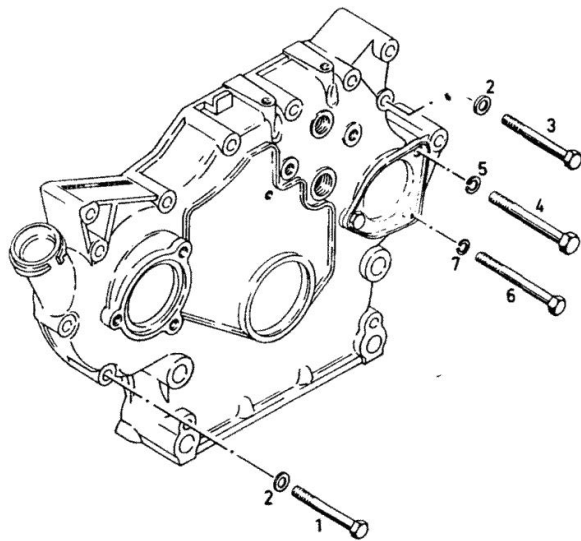
Fig.	P/n	QTY	Name
<b>Notes:</b> [DXab 80]			
1	01127046	1	screw m 8 x 60 ISO 004017-M 8 X 60 - 8.8-A4C
2	01107101	3	washer 8.4 DIN 000125-A 8,4-140HV-A4C
3	01111179	2	screw m 8 x 70, d931 ISO 004014- M 8 X 70 - 8.8-A4 C
4	01111336	1	screw m 10 x 75 DIN 000931- M10 X 75 - 8.8-A4 C
5	01102800	1	washer 10.2 DIN 000128-A 10 -FST -A4C
6	01122399	1	screw ISO 004014- M 8 X 85 - 8.8-A4 C
7	01102799	1	washer 8, d128 DIN 000128-A 8 -FST -A4C



Befestigungsteile  
Fastening parts  
Pièces de fixation  
Partes de fijación



0150-01-500 6842



Section: ENGINE

**BLANKING PARTS**

Fig.	P/n	QTY	Name
------	-----	-----	------

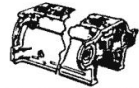
**Notes:**

[DXab 80]

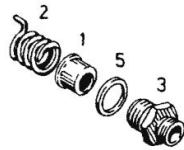
1	02135019	1	tube
2	02237638	1	spring
3	02234350	1	vent
5	01118750	1	oil seal DIN 007603-A 24 X 30 -AL



Verschluss-teile  
Locking parts  
Pièces de fermeture  
Partes de cierre



0150-01-503 0825



Section: ENGINE  
**TUNNEL COVER**

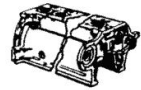
Fig.	P/n	QTY	Name
------	-----	-----	------

Notes:  
 [DXab 80]

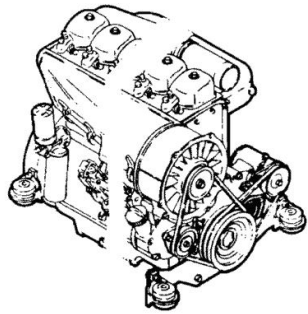
1	02235014	1	cover
---	----------	---	-------



Anbauteile  
 Attachments  
 Accessoires  
 Partes de adosamiento



0150-01-503 2468



Section: ENGINE

**DIPSTICK**

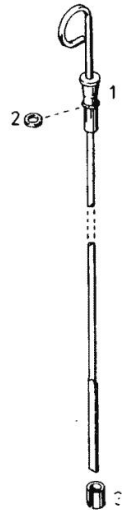
Fig.	P/n	QTY	Name
<b>Notes:</b> [DXab 80]			
1	01174179	1	dipstick H 003535-A - 270- 215X 40- 38 WITH BOX N°2
2	01165975	1	oil seal 5x2 H 002927- 5 X 2 -NBR-1-60
3	01167269	1	bush H 002341-B13X14



Ölmeßstab  
Oil dipstick  
Jauge de niveau d'huile  
Varilla de sondeo para nivel de aceite



0150-01-503 4256



## Section: ENGINE

**FRONT COVER**

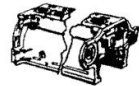
Fig.	P/n	QTY	Name
------	-----	-----	------

Notes:  
[DXab 80]

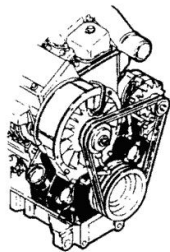
1	01115459	1	pin ISO 008752- 6 X 45
2	02234133	1	oil seal 65X85X13
3	01171243	1	oil seal H 002927- 82 X 3,15 -MVQ-1-50
4	01102396	1	screw ISO 004017-M 8 X 8 - 8.8-A4C
6	01016120	1	compound 1 kg H 000699-DEUTZ DW 47- 310 ML
7	04158416	1	cover



Vorderer Deckel  
Front cover  
Couvercle avant  
Tapa delantera



0150-01-503 4273





Section: ENGINE

**BREATHER**

Fig.	P/n	QTY	Name
------	-----	-----	------

**Notes:**

[DXab 80]

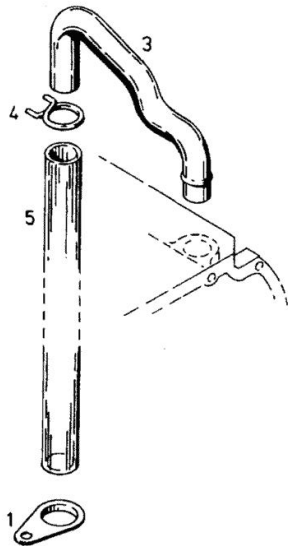
1	02101292	1	fan
3	02101740	1	tube
4	01163942	1	clamp
5	01388826		flexible hose H 000735-SK 34 H 007761-A25 X31 440 MM LG
950	01001202	1	gasket H 000699-DEUTZ DW 49- 1 KG



Entlüftung  
Breather  
Event  
Ventilación



0150—01—503 4341



## Section: ENGINE

## CRANKCASE

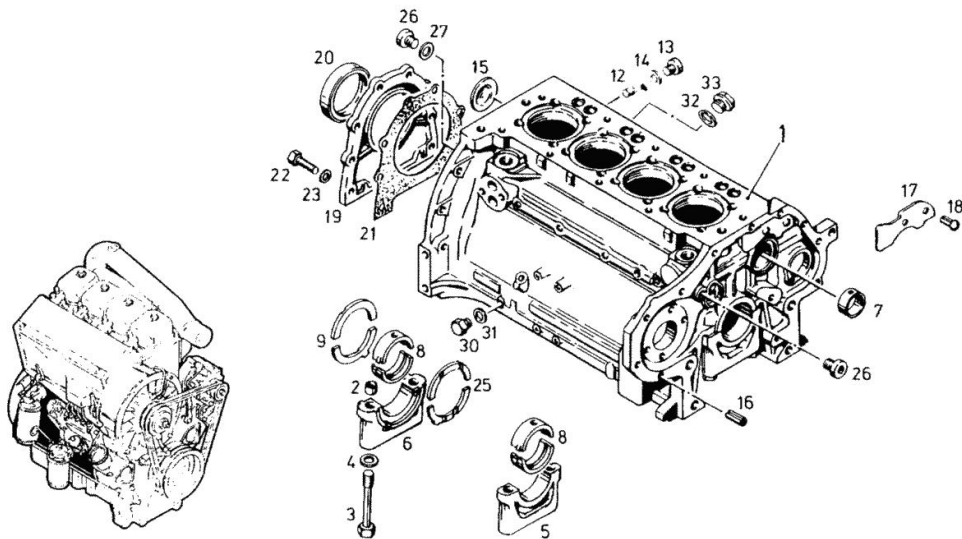
Fig.	P/n	QTY	Name
<b>Notes:</b> [DXab 80]			
1	02238723	1	crankcase BEST. AUS BILD NR. 2 BIS7 12 BIS 18,26,27,30 BIS 33
2	03362279	10	bushing
3	01136990	10	screw DIN 000931-BM14 X110 - 10.9
4	01216107	10	washer 15x23x1,5 H 002308-15 X23X1,5
7	02139737	1	bushing
8	03362379	5	bearing NORMAL 70.00 MM RD (2.7559 IN.) UNDERSIZE STEP ITEM 950-955
9	02230181	1	shim NORMAL 3.00 MM (0.1181 IN.)
12	01215235	5	plug
13	01110422	5	screw DIN 000908-M12X1,5-ST
14	01118673	5	oil seal DIN 007603-A 12 X 15,5-CU
15	01216240	1	disc
16	01167266	2	bush H 002341-B11X16
17	02231082	1	plate
18	01115333	2	self tapping screw ISO 008746- 6 X10-ST -A4C
19	02234870	1	cover
20	02234134	1	oil seal
21	03362337	1	gasket
22	01112322	8	screw m 8 p.1.25 x 20 ISO 004017-M 8 X 20 - 8.8-A4C
23	01107101	8	washer 8.4 DIN 000125-A 8,4-140HV-A4C
25	02230170	1	shim
26	04159934	2	screw
27	04159935	1	oil seal
30	01118998	1	screw DIN 007604-CM10X1 -ST-A4C
31	01118659	1	oil seal DIN 007603-A 10 X 13,5-CU
32	01118760	1	gasket 26x31 DIN 007603-A 26 X 31 -CU



Kurbelgehäuse  
Crankcase  
Carter  
Carter

7557 403 ←

0150-01-503.4357



Section: ENGINE  
CRANKCASE

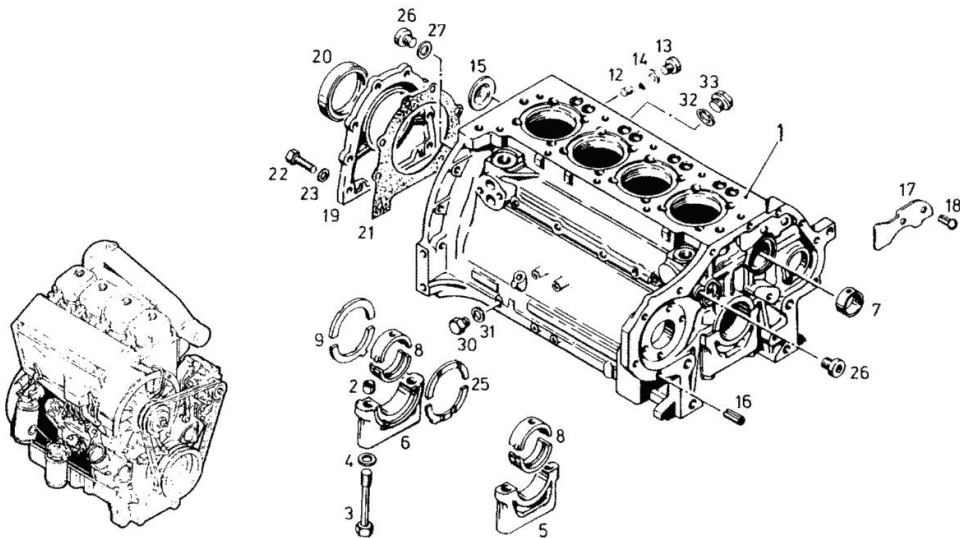
Fig.	P/n	QTY	Name
33	01118986	1	plug am26x1,5 d7604 DIN 007604-AM26X1,5 -ST-ZNPHR F
950	03362380	5	bearing 1. UNDERSIZE STEP 69.75 MM RD. (2,7459 IN.)
951	03362381	5	bearing 2. UNDERSIZE STEP 69.50 MM RD. (2,7362 IN.)
952	03362382	5	bearing 3. UNDERSIZE STEP 69.25 MMRD. (2,7263 IN.)
953	03362383	5	bearing 4.UNDERSIZE STEP69.00 MMRD (2,7165 IN.)
954	03362384	5	bearing 5.UNDERSIZE STEP68.75 MMRD (2,7066IN.)
955	03362385	5	bearing 6.UNDERSIZE STEP68.50 MM RD (2,6968 IN.)
956	02230182	1	shim 1. OVERSIZE 3.25 MM (0,1279 IN.)
957	02230183	1	shim 2. OVERSIZE 3.50 MM (0,1378 IN.)
958	02230184	1	shim 3. OVERSIZE 3.75 MM (0,1476 IN.)
959	02230185	1	shim 4. OVERSIZE 4.00 MM (0,1575 IN.)
960	02230172	1	shim 1. OVERSIZE 3.25 MM (0,1279 IN.)
961	02230173	1	shim 2. OVERSIZE 3.50 MM (0,1378 IN.)
962	02230174	1	shim 3. OVERSIZE 3.75 MM (0,1476 IN.)
963	02230175	1	shim 4. OVERSIZE 4.00 MM



Kurbelgehäuse  
Crankcase  
Carter  
Carter

7557 403 ←

0150-01-503.4357



Thank you so much for reading.  
Please click the “Buy Now!”  
button below to download the  
complete manual.



After you pay.

You can download the most  
perfect and complete manual in  
the world immediately.

Our support email:

[ebooklibonline@outlook.com](mailto:ebooklibonline@outlook.com)