

Section: ENGINE

**LOCK**

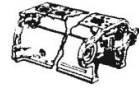
Fig.	P/n	QTY	Name
------	-----	-----	------

Notes:  
[DXab 90]

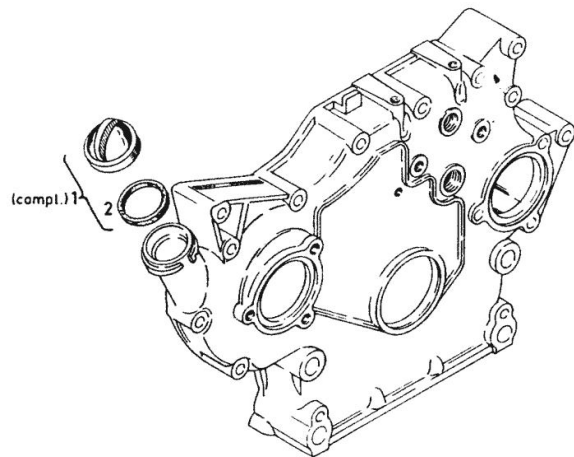
1	01236291	1	plug
2	01236290	1	oil seal



Oleinfüllverschluß  
Oil filter cap  
Couvercle de cheminée de remplissage d'huile  
Tapon de llenado de aceite



0150-01-500 3320



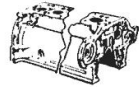
Section: ENGINE

**COVER**

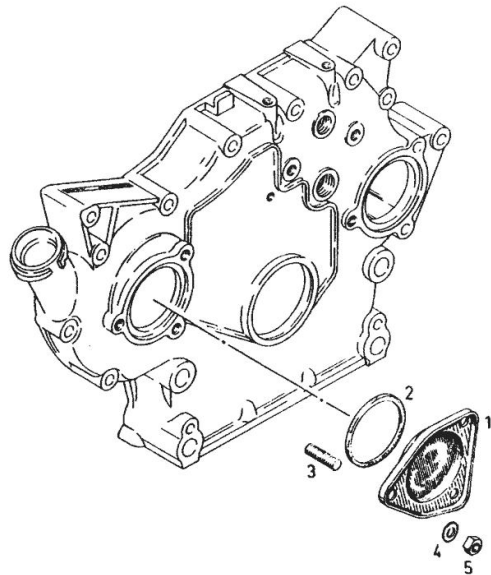
Fig.	P/n	QTY	Name
<b>Notes:</b>			
[DXab 90]			
1	04152404	1	cover
2	01166110	1	ring H 002927- 80 X 3 -NBR-1-60
3	01178540	3	screw H 002091- 835-M 8 X 16- 8.8-A 4C-MK-1,5D-BL
4	01216143	3	ring
5	01112824	3	nut m 8, d934 ISO 004032-M 8 - 8-A4C



Verschlußdeckel für Spritzversteller  
Cover for advance/retard unit  
Couvercle pour avance automatique  
Tapa de cierre para graduador de avance de inyección



0150-01-500 3331



Section: ENGINE

**FASTENINGS**

Fig.	P/n	QTY	Name
------	-----	-----	------

**Notes:**

[DXab 90]

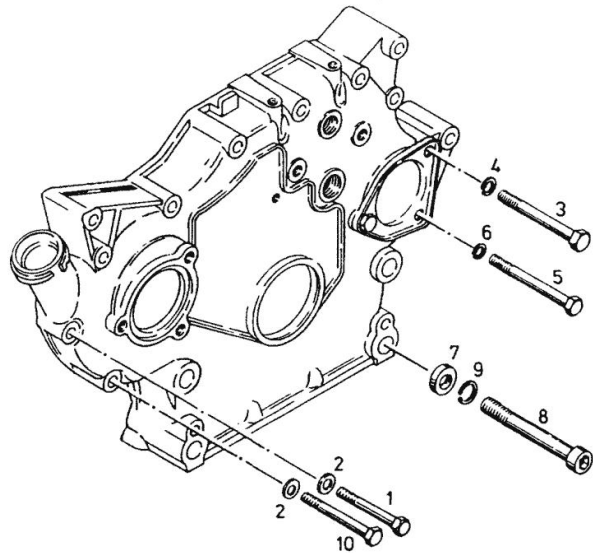
1	01127046	1	screw m 8 x 60 ISO 004017-M 8 X 60 - 8.8-A4C
2	01107101	3	washer 8.4 DIN 000125-A 8,4-140HV-A4C
3	01111336	1	screw m 10 x 75 DIN 000931- M10 X 75 - 8.8-A4 C
4	01102800	1	washer 10.2 DIN 000128-A 10 -FST -A4C
5	01122399	1	screw ISO 004014- M 8 X 85 - 8.8-A4 C
6	01102799	1	washer 8, d128 DIN 000128-A 8 -FST -A4C
7	01107556	16	washer DIN 000433-15 -140HV-A4C
8	01102281	4	screw m14x100 d912 DIN 000912- M14 X100 - 8.8-A4 C
9	01127679	4	spring washer DIN 007980-14-FST-A4C
10	01111179	1	screw m 8 x 70, d931 ISO 004014- M 8 X 70 - 8.8-A4 C



Befestigungsteile zum vorderen Deckel  
Fastening parts for front cover  
Pièces de fixation pour couvercle avant  
Partes de fijación para tapa delantera



0150—01—500 3339



Section: ENGINE

**DIPSTICK**

Fig.	P/n	QTY	Name
------	-----	-----	------

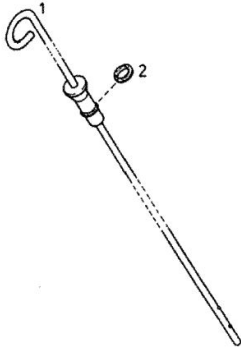
Notes:  
[DXab 90]

1	01176388	1	dipstick H 003535-AV - 265- 222X 28- 3 8 WITH PICTURE NO. 002
2	01174311	1	oil seal H 002927- 4,3 X 2,4 -FPM-1-70



Ölmeßstab  
Oil dipstick  
Jauge de niveau d'huile  
Varilla de sondeo para nivel de aceite

0150-01-500 4321

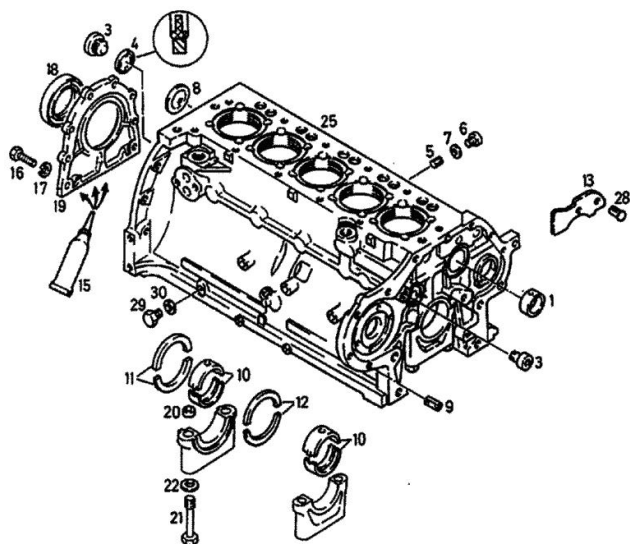




Kurbelgehäuse  
Crankcase  
Carter  
Bloque de cilindros

Referenznr.:  
0150 -01- 0500 4323

001



Section: ENGINE  
**CRANKCASE**

**DXab 90**

Ref: 11.01.20000

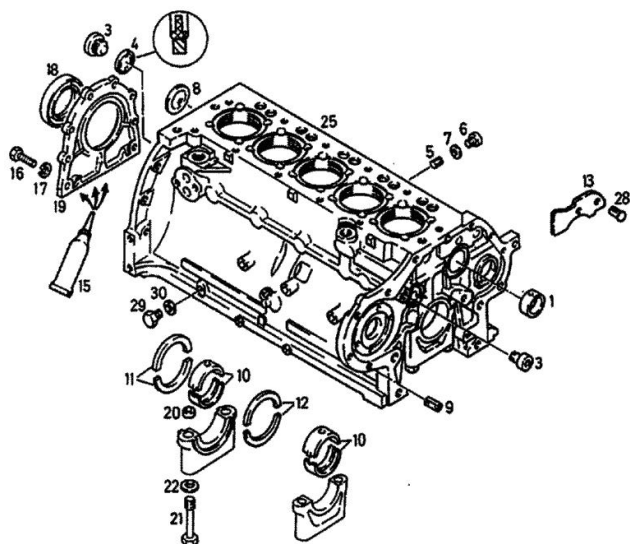
Fig.	P/n	QTY	Name
<b>Notes:</b> [DXab 90]			
1	02139737	1	bushing
3	04159934	2	screw
4	04159935	1	oil seal
5	01215235	6	plug
6	01122350	6	plug DIN 000908-M12X1,5-ST-OELGESC HW
7	01118673	6	oil seal DIN 007603-A 12 X 15,5-CU
8	01216240	1	disc
9	01167266	2	bush H 002341-B11X16
10	03362379	6	bearing NORMAL 70.00 MM RD (2.7559 IN.) UNDERSIZE STEP ITEM 950-955
11	02230181	1	shim NORMAL 3.00 MM (0.1181 IN.) OVERSIZE STEP ITEM. 956-959 BIS MOT.NR.5 137 112 EINB. S.POS.964-968
12	02230170	1	shim NORMAL 3.00 MM (0.1181 IN.) OVERSIZE STEP ITEM. 960-963 BIS MOT.NR.5 137 112 EINB. S.POS.969-973
13	02231082	1	plate
15	01008270	1	compound 1 kg H 000699-DEUTZ DW 47- 100 G 100 GR
16	01112322	8	screw m 8 p.1.25 x 20 ISO 004017-M 8 X 20 - 8.8-A4C
17	01102799	8	washer 8, d128 DIN 000128-A 8 -FST -A4C
18	02234134	1	oil seal
19	02234786	1	cover
20	03362279	12	bushing
21	01136990	12	screw DIN 000931-BM14 X110 - 10.9
22	01216107	12	washer 15x23x1,5 H 002308-15 X23X1,5
25	02139044	1	crankcase



Kurbelgehäuse  
Crankcase  
Carter  
Bloque de cilindros

Referenznr.:  
0150 -01- 0500 4323

001



Section: ENGINE  
**CRANKCASE**

**DXab 90**

Ref: 11.01.20000

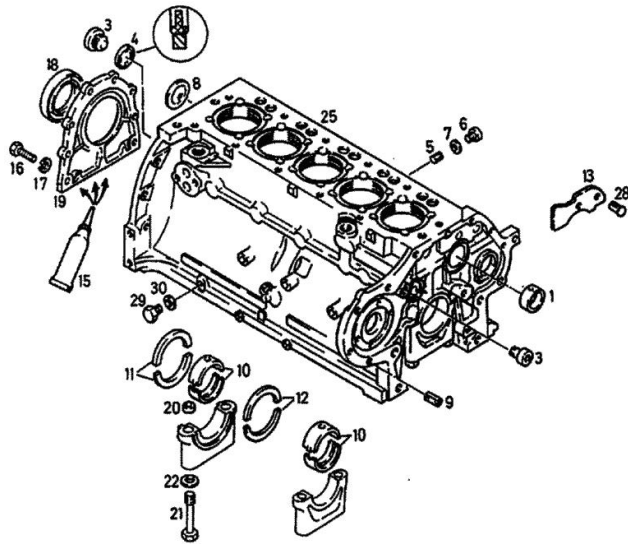
Fig.	P/n	QTY	Name
			BEST. AUS BILD NR.1,3 BIS9,13 20 BIS 24,28 BIS 30
28	01115333	2	self tapping screw ISO 008746- 6 X10-ST -A4C
29	01118998	2	screw DIN 007604-CM10X1 -ST-A4C
30	01118659	2	oil seal DIN 007603-A 10 X 13,5-CU
950	03362380	6	bearing 1. UNDERSIZE STEP 69.75 MM RD. (2,7459 IN.)
951	03362381	6	bearing 2.UNDERSIZE STEP 69.50MM RD (2,7362 IN.)
952	03362382	6	bearing 3.UNDERSIZE STEP 69.25MM RD (2,7263 IN.)
953	03362383	6	bearing 4.UNDERSIZE STEP 69.00MM RD (2,7165 IN.)
954	03362384	6	bearing 5.UNDERSIZE STEP 68.75MM RD (2,7066 IN.)
955	03362385	6	bearing 6.UNDERSIZE STEP 68.50MM RD (2,6968 IN.)
956	02230182	1	shim 1. OVERSIZE 3.25 MM (0,1279 IN.)
957	02230183	1	shim 2.OVERSIZE STEP 3.50MM (0,1378 IN.)
958	02230184	1	shim 3. OVERSIZE 3.75 MM (0,1476 IN.)
959	02230185	1	shim 4. OVERSIZE 4.00 MM (0,1575 IN.)
960	02230172	1	shim 1. OVERSIZE 3.25 MM (0,1279 IN.)
961	02230173	1	shim 2.OVERSIZE STEP 3.50MM (0,1378 IN.)



Kurbelgehäuse  
Crankcase  
Carter  
Bloque de cilindros

Referenznr.:  
0150 -01- 0500 4323

001



Section: ENGINE  
**CRANKCASE**

**DXab 90**

Ref: 11.01.20000

Fig.	P/n	QTY	Name
962	02230174	1	shim 3. OVERSIZE 3.75 MM (0,1476 IN.)
963	02230175	1	shim 4. OVERSIZE 4.00 MM (0,1575 IN.)
964	02230176	1	shim NORMAL 3.00 MM (0.1181 IN.)
965	02230177	1	shim 1. OVERSIZE 3.25 MM (0.1279 IN.)
966	02230178	1	shim 2. OVERSIZE 3.50 MM (0,1378 IN.)
967	02230179	1	shim 3. OVERSIZE 3.75 MM (0,1476 IN.)
968	02230180	1	shim 4. OVERSIZE 4.00 MM (0,1575 IN.)
969	02230164	1	shim NORMAL 3.00 MM (0.1181 IN.)
970	02230166	1	shim 1. OVERSIZE 3.25 MM (0.1279 IN.)
971	02230167	1	shim 2. OVERSIZE 3.50 MM (0,1378 IN.)
972	02230168	1	shim 3. OVERSIZE 3.75 MM (0,1476 IN.)
973	02230169	1	shim 4. OVERSIZE 4.00 MM (0,1575 IN.)

Section: ENGINE  
FRONT COVER

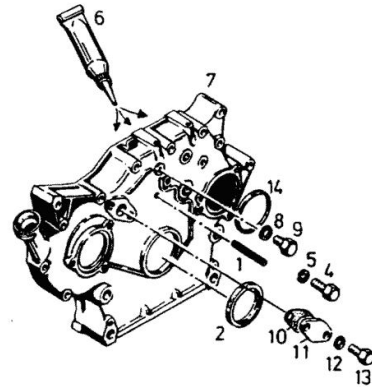
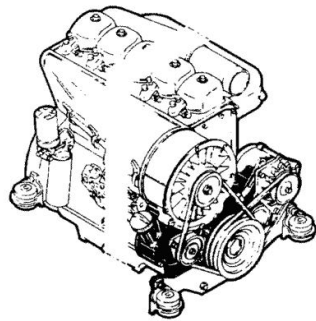
Fig.	P/n	QTY	Name
<b>Notes:</b> [DXab 90]			
1	01115459	1	pin ISO 008752- 6 X 45
2	02234133	1	oil seal
4	01112295	1	screw m 8 x 10 ISO 004017-M 8 X 10 - 8.8-A4C
5	01102799	1	washer 8, d128 DIN 000128-A 8 -FST -A4C
6	01016120	1	compound 1 kg H 000699-DEUTZ DW 47- 310 ML
7	04158424	1	cover
8	01118669	1	ring DIN 007603-A 10 X 16 -CU
9	01124445	1	screw m10x1 d910 DIN 000910- M10X1 -ST-A4C
10	01178417	1	gasket H 002946-22X 44X1,5 -DEUTZ FW 31 CONTAINS ASBESTOS ASBESTOS-FREE, SEE ITEM 950
11	01165854	1	flange H 000713-18
12	01107101	2	washer 8.4 DIN 000125-A 8,4-140HV-A4C
13	01112307	2	screw m 8 p.1.25 x 15, d933 ISO 004017-M 8 X 16 - 8.8-A4C
14	01171243	1	oil seal H 002927- 82 X 3,15 -MVQ-1-50
950	01178417	1	gasket H 002946-22X 44X1,5 -DEUTZ FW 31 ASBESTOS-FREE CONTAINS ASBESTOS SEE ITEM 010



Vorderer Deckel  
Front cover  
Couvercle avant  
Tapa delantera



0150-01-501 6339





Section: ENGINE

**BREATHER**

Fig.	P/n	QTY	Name
------	-----	-----	------

**Notes:**

[DXab 90]

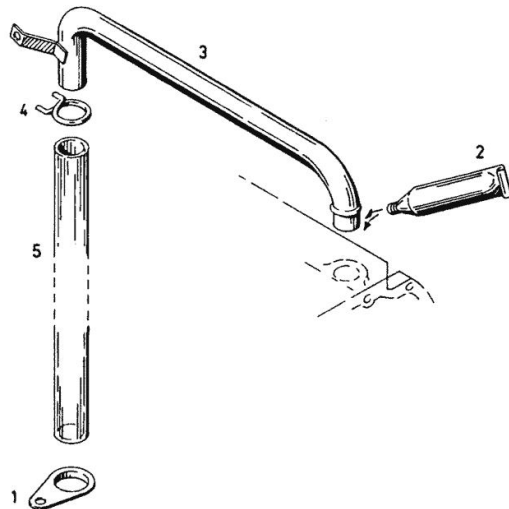
1	02101292	1	fan
2	01001204	5	gasket H 000699-DEUTZ DW 51
3	02243678	1	tube
4	01163942	1	clamp H 000735-SK 34
5	01388826		flexible hose H 007761-A25 X31 440 MM



Entlüftung  
Breather  
Event  
Ventilación



0150-01-502 2867



Section: ENGINE

**INTERMEDIATE GEAR BEARING**

Fig.	P/n	QTY	Name
------	-----	-----	------

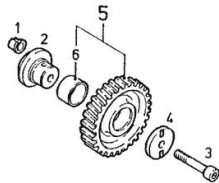
Notes:  
[DXab 90]

1	02101007	1	bushing
2	02234172	1	pin TRAKTORAUSFUEHRUNG S.POS.950
3	02234177	1	screw
4	02234161	1	washer
5	02234400	1	gear
6	03362538	1	bushing 0150-01-74.02 TRAKTORAUSFUEHRUNG S.POS.951
950	04161357	1	pin FUER TRAKTOR DX85,DX90 U. DX110
951	02234389	1	bushing FUER TRAKTOR DX85,DX90 U. DX110



Zwischenradlager  
Idler gear bearing  
Tourillon de pignon intermédiaire  
Soporte para rueda intermedia

0150-01-0502 3335



Section: ENGINE

**BLANKING PARTS**

Fig.	P/n	QTY	Name
------	-----	-----	------

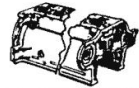
**Notes:**

[DXab 90]

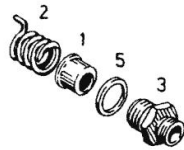
1	02135019	1	tube
2	02237638	1	spring
3	02234350	1	vent
5	01118750	1	oil seal DIN 007603-A 24 X 30 -AL



Verschlusssteile  
Locking parts  
Pièces de fermeture  
Partes de cierre



0150-01-503 0825



Thank you so much for reading.  
Please click the “Buy Now!”  
button below to download the  
complete manual.



After you pay.

You can download the most  
perfect and complete manual in  
the world immediately.

Our support email:

[ebooklibonline@outlook.com](mailto:ebooklibonline@outlook.com)