

Section: ENGINE

LOCK

Fig.	P/n	QTY	Name
------	-----	-----	------

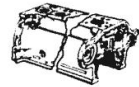
Notes:

[DXab 92]

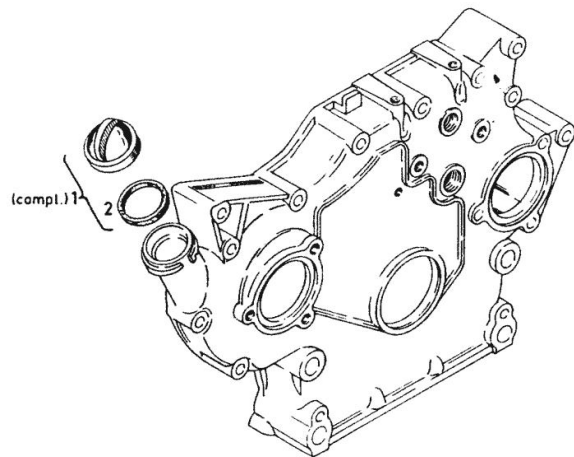
1	01236291	1	plug
2	01236290	1	oil seal



Oleinfüllverschluß
Oil filter cap
Couvercle de cheminée de remplissage d'huile
Tapon de llenado de aceite



0150-01-500 3320



Section: ENGINE

FASTENINGS

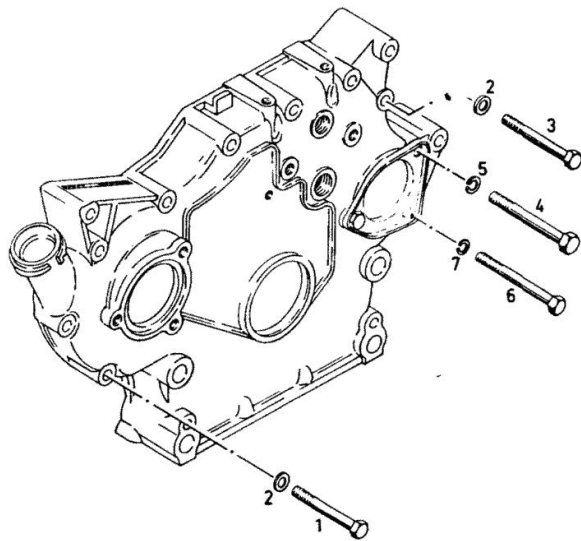
Fig.	P/n	QTY	Name
Notes:			
[DXab 92]			
1	01127046	1	screw m 8 x 60 ISO 004017-M 8 X 60 - 8.8-A4C
2	01107101	3	washer 8.4 DIN 000125-A 8,4-140HV-A4C
3	01111179	2	screw m 8 x 70, d931 ISO 004014- M 8 X 70 - 8.8-A4 C
4	01111336	1	screw m 10 x 75 DIN 000931- M10 X 75 - 8.8-A4 C
5	01102800	1	washer 10.2 DIN 000128-A 10 -FST -A4C
6	01122399	1	screw ISO 004014- M 8 X 85 - 8.8-A4 C
7	01102799	1	washer 8, d128 DIN 000128-A 8 -FST -A4C



Befestigungsteile
Fastening parts
Pièces de fixation
Partes de fijación



0150-01-500 6842



Section: ENGINE

INTERMEDIATE GEAR BEARING

Fig.	P/n	QTY	Name
------	-----	-----	------

Notes:

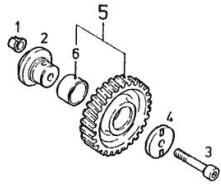
[DXab 92]

1	02101007	1	bushing
2	02234172	1	pin TRAKTORAUSFUEHRUNG S.POS.950
3	02234177	1	screw
4	02234161	1	washer
5	02234400	1	gear
6	03362538	1	bushing 0150-01-74.02 TRAKTORAUSFUEHRUNG S.POS.951
950	04161357	1	pin FUER TRAKTOR DX85,DX90 U. DX110
951	02234389	1	bushing FUER TRAKTOR DX85,DX90 U. DX110



Zwischenradlager
 Inter gear bearing
 Tourillon de pignon intermédiaire
 Soporte para rueda intermedia

0150-01-0502 3335



Section: ENGINE

BLANKING PARTS

Fig.	P/n	QTY	Name
------	-----	-----	------

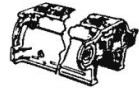
Notes:

[DXab 92]

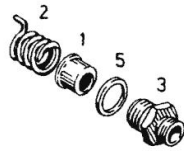
1	02135019	1	tube
2	02237638	1	spring
3	02234350	1	vent
5	01118750	1	oil seal DIN 007603-A 24 X 30 -AL



Verschluss-teile
Locking parts
Pièces de fermeture
Partes de cierre



0150-01-503 0825



Section: ENGINE

TUNNEL COVER

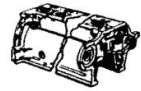
Fig.	P/n	QTY	Name
------	-----	-----	------

Notes:
[DXab 92]

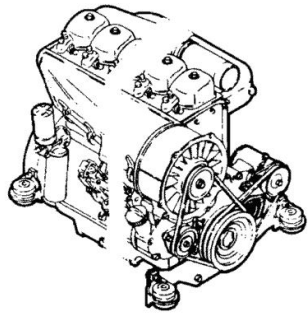
1	02235014	1	cover
---	----------	---	-------



Anbauteile
Attachments
Accessoires
Partes de adosamiento



0150-01-503 2468



Section: ENGINE

DIPSTICK

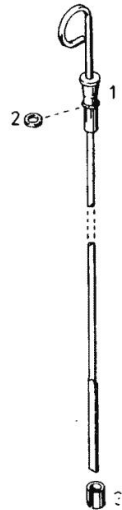
Fig.	P/n	QTY	Name
Notes:			
[DXab 92]			
1	01174179	1	dipstick H 003535-A - 270- 215X 40- 38 WITH BOX N°2
2	01165975	1	oil seal 5x2 H 002927- 5 X 2 -NBR-1-60
3	01167269	1	bush H 002341-B13X14



Ölmeßstab
Oil dipstick
Jauge de niveau d'huile
Varilla de sondeo para nivel de aceite



0150-01-503 4256



Section: ENGINE

CRANKCASE

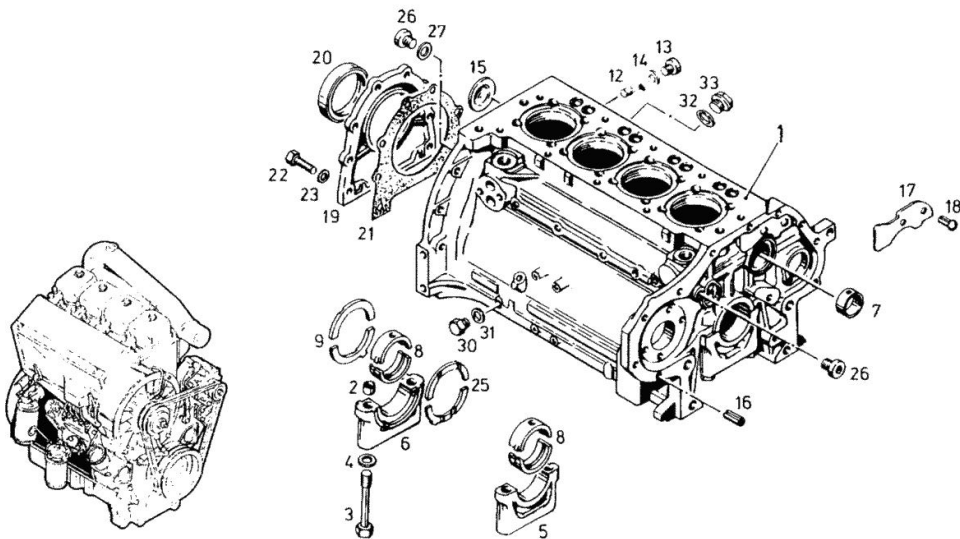
Fig.	P/n	QTY	Name
Notes: [DXab 92]			
1	02238723	1	crankcase BEST. AUS BILD NR. 2 BIS7 12 BIS 18,26,27,30 BIS 33
2	03362279	10	bushing
3	01136990	10	screw DIN 000931-BM14 X110 - 10.9
4	01216107	10	washer 15x23x1,5 H 002308-15 X23X1,5
7	02139737	1	bushing
8	03362379	5	bearing NORMAL 70.00 MM RD (2.7559 IN.) UNDERSIZE STEP ITEM 950-955
9	02230181	1	shim NORMAL 3.00 MM (0.1181 IN.)
12	01215235	5	plug
13	01110422	5	screw DIN 000908-M12X1,5-ST
14	01118673	5	oil seal DIN 007603-A 12 X 15,5-CU
15	01216240	1	disc
16	01167266	2	bush H 002341-B11X16
17	02231082	1	plate
18	01115333	2	self tapping screw ISO 008746- 6 X10-ST -A4C
19	02234870	1	cover
20	02234134	1	oil seal
21	03362337	1	gasket
22	01112322	8	screw m 8 p.1.25 x 20 ISO 004017-M 8 X 20 - 8.8-A4C
23	01107101	8	washer 8.4 DIN 000125-A 8,4-140HV-A4C
25	02230170	1	shim
26	04159934	2	screw
27	04159935	1	oil seal
30	01118998	1	screw DIN 007604-CM10X1 -ST-A4C
31	01118659	1	oil seal DIN 007603-A 10 X 13,5-CU
32	01118760	1	gasket 26x31 DIN 007603-A 26 X 31 -CU



Kurbelgehäuse
Crankcase
Carter
Carter

7557 403 ←

0150-01-503.4357



Section: ENGINE
CRANKCASE

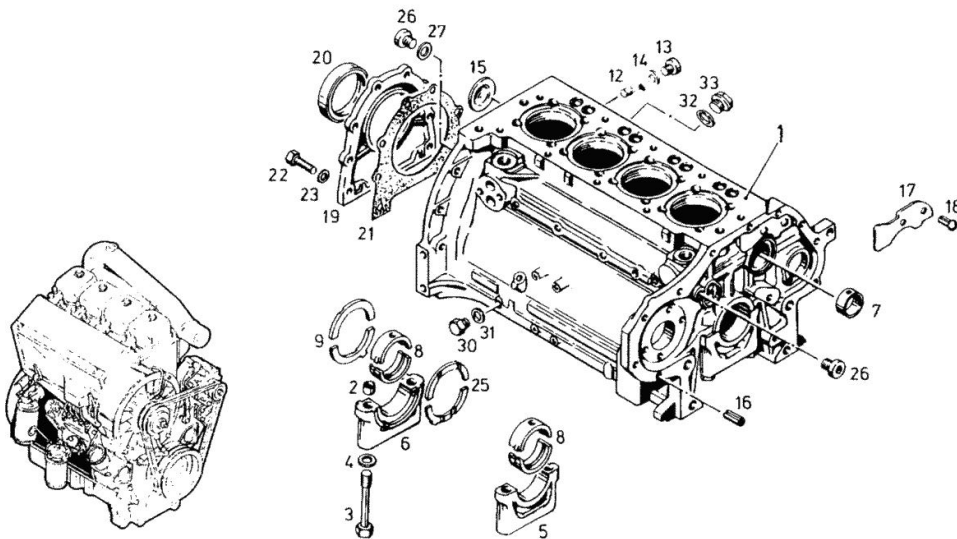
Fig.	P/n	QTY	Name
33	01118986	1	plug am26x1,5 d7604 DIN 007604-AM26X1,5 -ST-ZNPHR F
950	03362380	5	bearing 1. UNDERSIZE STEP 69.75 MM RD. (2,7459 IN.)
951	03362381	5	bearing 2. UNDERSIZE STEP 69.50 MM RD. (2,7362 IN.)
952	03362382	5	bearing 3. UNDERSIZE STEP 69.25 MMRD. (2,7263 IN.)
953	03362383	5	bearing 4.UNDERSIZE STEP69.00 MMRD (2,7165 IN.)
954	03362384	5	bearing 5.UNDERSIZE STEP68.75 MMRD (2,7066IN.)
955	03362385	5	bearing 6.UNDERSIZE STEP68.50 MM RD (2,6968 IN.)
956	02230182	1	shim 1. OVERSIZE 3.25 MM (0,1279 IN.)
957	02230183	1	shim 2. OVERSIZE 3.50 MM (0,1378 IN.)
958	02230184	1	shim 3. OVERSIZE 3.75 MM (0,1476 IN.)
959	02230185	1	shim 4. OVERSIZE 4.00 MM (0,1575 IN.)
960	02230172	1	shim 1. OVERSIZE 3.25 MM (0,1279 IN.)
961	02230173	1	shim 2. OVERSIZE 3.50 MM (0,1378 IN.)
962	02230174	1	shim 3. OVERSIZE 3.75 MM (0,1476 IN.)
963	02230175	1	shim 4. OVERSIZE 4.00 MM



Kurbelgehäuse
Crankcase
Carter
Carter

7557 403 ←

0150-01-503.4357



Section: ENGINE
CRANKCASE

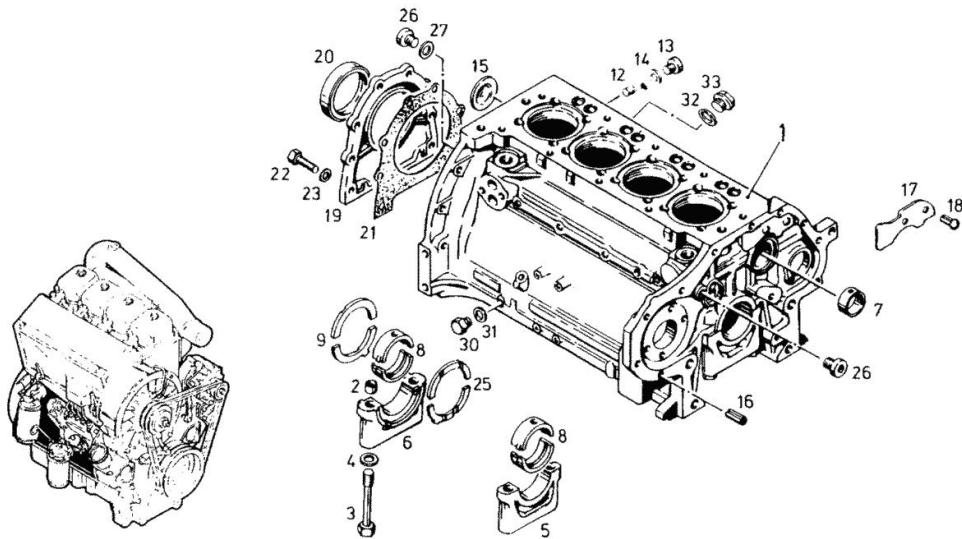
Fig.	P/n	QTY	Name
964	01016120	1	(0,1575 IN.) compound 1 kg H 000699-DEUTZ DW 47- 310 ML



Kurbelgehäuse
 Crankcase
 Carter
 Carter

7557 403 ←

0150-01-503.4357



Section: ENGINE

NOZZLE

Fig.	P/n	QTY	Name
------	-----	-----	------

Notes:

[DXab 92]

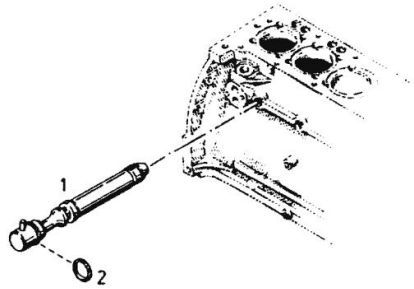
1	02239591	1	nozzle
2	01173838	1	oil seal H 002927- 9 X 1,5 -FPM-1-70
950	01001202	1	gasket H 000699-DEUTZ DW 49- 1 KG



Spritzdüse
Spray nozzle
Pulvrisateur
Tobera de dispersión

Stück / Zyl. - Einheit
Pieces / cyl. unit
Qté / cylindre
Cantid. / unid. cilind.

0150—01—503 7653



Section: ENGINE

BREATHER

Fig.	P/n	QTY	Name
------	-----	-----	------

Notes:

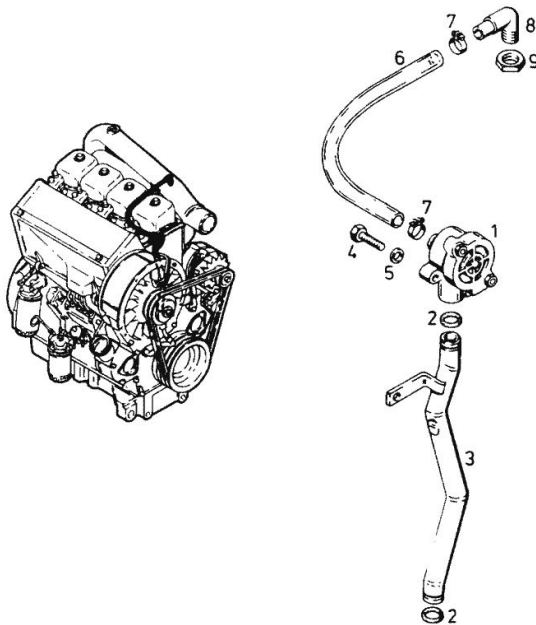
[DXab 92]

1	02239279	1	valve
2	01160480	2	oil seal H 002927- 24 X 3 -FPM-1-70
3	04150258	1	tube
4	01112322	2	screw m 8 p.1.25 x 20 ISO 004017-M 8 X 20 - 8.8-A4C
5	01107101	2	washer 8.4 DIN 000125-A 8,4-140HV-A4C
6	01174531	1	flexible hose H 003407-B 19X 26X 400
7	01166366	2	fascia H 000735-S 26 X 9
8	02239667	1	square
9	01113196	1	nut DIN 000936-M22X1,5 -22H-A-ZNP HRF



Entlüftung
Breather
Évent
Ventilación

0150-01-503 7681



Thank you so much for reading.
Please click the “Buy Now!”
button below to download the
complete manual.



After you pay.

You can download the most
perfect and complete manual in
the world immediately.

Our support email:

ebooklibonline@outlook.com