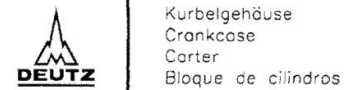


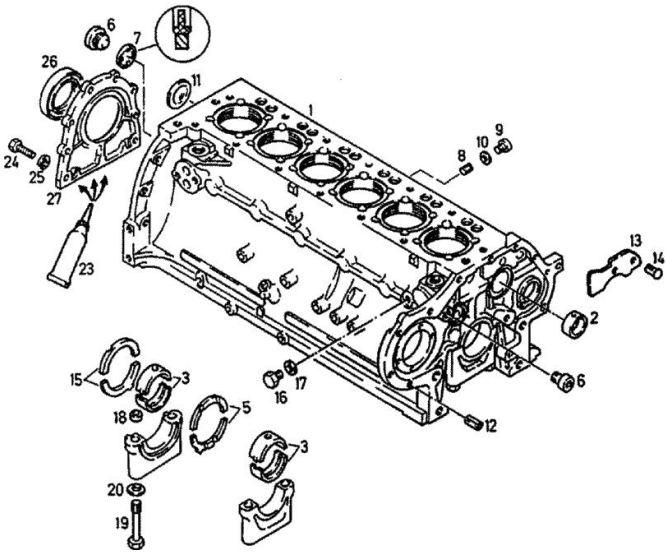
Section: ENGINE
CRANKCASE

Fig.	P/n	QTY	Name
Notes: [DXbis 145]			
1	02138343	1	crankcase BEST. AUS BILD NR.2,6 BIS 14 16 BIS 22
2	02139737	1	bushing
3	03362379	7	bearing NORMAL 70.00 MM RD (2.7559 IN.) UNDERSIZE STEP ITEM 950-955
5	02230170	1	shim NORMAL 3.00 MM (0.1181 IN.) OVERSIZE STEP ITEM. 960-963 BIS MOT.NR.5 139 422 EINB. 5 137 246 TRAKTOR, 5 173 294 ULM,S.POS.964-968
6	04159934	2	screw
7	04159935	1	oil seal
8	01215235	7	plug
9	01122350	7	plug DIN 000908-M12X1,5-ST-OELGESC HW
10	01118673	7	oil seal DIN 007603-A 12 X 15,5-CU
11	01216240	1	disc
12	01167266	2	bush H 002341-B11X16
13	02231082	1	plate
14	01115333	2	self tapping screw ISO 008746- 6 X10-ST -A4C
15	02230181	1	shim NORMAL 3.00 MM (0.1181 IN.) OVERSIZE STEP ITEM. 956-959 BIS MOT.NR.5 139 422 EINB. 5 137 246 TRAKTOR, 5 173 294 ULM,S.POS.969-973
16	01118998	2	screw DIN 007604-CM10X1 -ST-A4C
17	01118659	2	oil seal DIN 007603-A 10 X 13,5-CU
18	03362279	14	bushing
19	01136990	14	screw DIN 000931-BM14 X110 - 10.9
20	01216107	14	washer 15x23x1,5



Referenznr.:
0150 -01- 0500 3302

001



Section: ENGINE
CRANKCASE

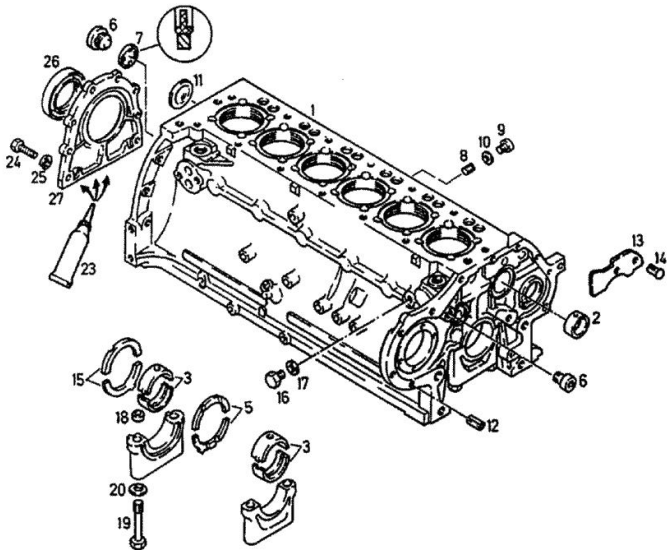
Fig.	P/n	QTY	Name
23	01016120	1	H 002308-15 X23X1,5 compound 1 kg
24	01112322	8	H 000699-DEUTZ DW 47- 310 ML screw m 8 p.1.25 x 20
25	01102799	8	ISO 004017-M 8 X 20 - 8.8-A4C washer 8, d128
26	02234134	1	DIN 000128-A 8 -FST -A4C oil seal
27	02234786	1	cover
950	03362380	7	bearing 1. UNDERSIZE STEP 69.75 MM RD. (2,7459 IN.)
951	03362381	7	bearing 2. UNDERSIZE STEP 69.50 MM RD. (2,7362 IN.)
952	03362382	7	bearing 3.UNDERSIZE STEP 69.25MM RD (2,7263 IN.)
953	03362383	7	bearing 4.UNDERSIZE STEP 69.00MM RD (2,7165 IN.)
954	03362384	7	bearing 5.UNTERMASST.68,75MM RD (2,7066 IN.)
955	03362385	7	bearing 6.UNDERSIZE STEP 68.50MM RD (2,6968 IN.)
956	02230182	1	shim 1. OVERSIZE 3.25 MM (0,1279 IN.)
957	02230183	1	shim 2.OVERSIZE STEP 3.50MM (0,1378 IN.)
958	02230184	1	shim 3. OVERSIZE 3.75 MM (0,1476 IN.)
959	02230185	1	shim 4. OVERSIZE 4.00 MM (0,1575 IN.)
960	02230172	1	shim 1. OVERSIZE 3.25 MM (0,1279 IN.)
961	02230173	1	shim 2.OVERSIZE STEP 3.50MM



Kurbelgehäuse
Crankcase
Carter
Bloque de cilindros

Referenznr.:
0150 -01- 0500 3302

001



Section: ENGINE
CRANKCASE

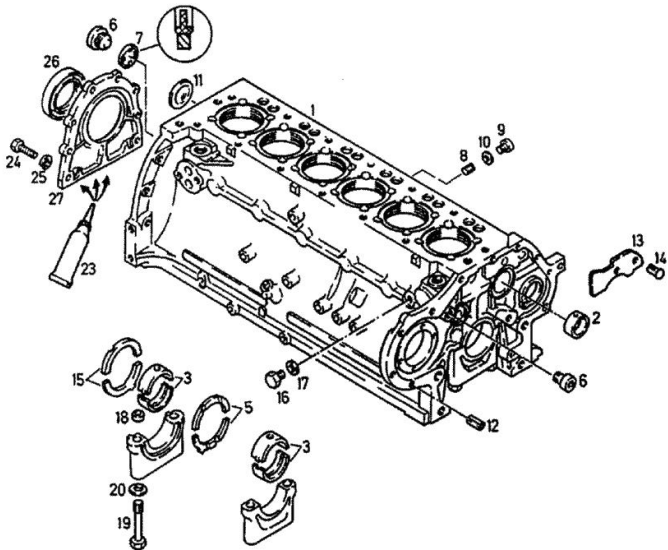
Fig.	P/n	QTY	Name
962	02230174	1	(0,1378 IN.) shim 3. OVERSIZE 3.75 MM
963	02230175	1	(0,1476 IN.) shim 4. OVERSIZE 4.00 MM
964	02230164	1	(0,1575 IN.) shim NORMAL 3.00 MM (0.1181 IN.)
965	02230166	1	shim 1. OVERSIZE 3.25 MM (0.1279 IN.)
966	02230167	1	shim 2. OVERSIZE 3.50 MM (0,1378 IN.)
967	02230168	1	shim 3. OVERSIZE 3.75 MM (0,1476 IN.)
968	02230169	1	shim 4. OVERSIZE 4.00 MM (0,1575 IN.)
969	02230176	1	shim NORMAL 3.00 MM (0.1181 IN.)
970	02230177	1	shim 1. OVERSIZE 3.25 MM (0.1279 IN.)
971	02230178	1	shim 2. OVERSIZE 3.50 MM (0,1378 IN.)
972	02230179	1	shim 3. OVERSIZE 3.75 MM (0,1476 IN.)
973	02230180	1	shim 4. OVERSIZE 4.00 MM (0,1575 IN.)



Kurbelgehäuse
Crankcase
Carter
Bloque de cilindros

Referenznr.:
0150 -01- 0500 3302

001



Section: ENGINE

LOCK

Fig.	P/n	QTY	Name
------	-----	-----	------

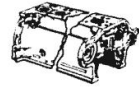
Notes:

[DXbis 145]

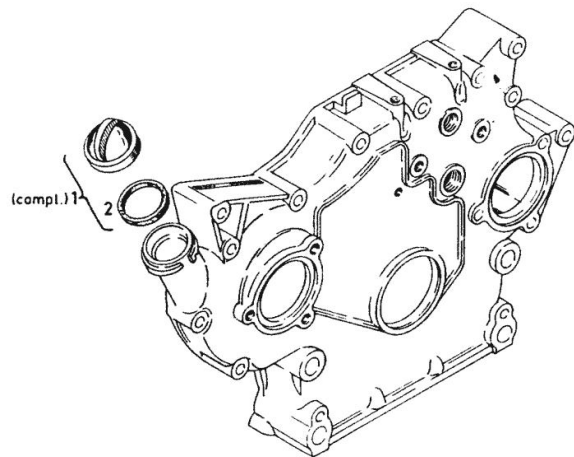
1	01236291	1	plug
2	01236290	1	oil seal



Oleinfüllverschluß
Oil filter cap
Couvercle de cheminée de remplissage d'huile
Tapon de llenado de aceite



0150-01-500 3320



Section: ENGINE

TUNNEL COVER

Fig.	P/n	QTY	Name
------	-----	-----	------

Notes:

[DXbis 145]

1	03362504	1	cover 0150-01-54.05
---	----------	---	------------------------



Section: ENGINE
FASTENINGS

Fig.	P/n	QTY	Name
------	-----	-----	------

Notes:
[DXbis 145]

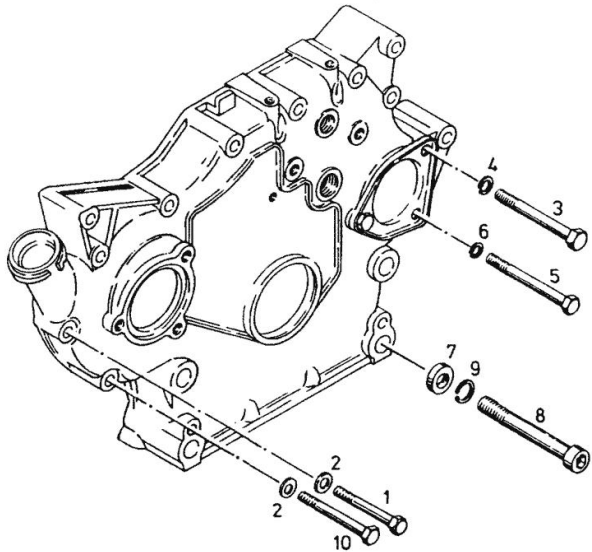
1	01127046	1	screw m 8 x 60 ISO 004017-M 8 X 60 - 8.8-A4C
2	01107101	3	washer 8.4 DIN 000125-A 8,4-140HV-A4C
3	01111336	1	screw m 10 x 75 DIN 000931- M10 X 75 - 8.8-A4 C
4	01102800	1	washer 10.2 DIN 000128-A 10 -FST -A4C
5	01122399	1	screw ISO 004014- M 8 X 85 - 8.8-A4 C
6	01102799	1	washer 8, d128 DIN 000128-A 8 -FST -A4C
7	01107556	16	washer DIN 000433-15 -140HV-A4C
8	01102281	4	screw m14x100 d912 DIN 000912- M14 X100 - 8.8-A4 C
9	01127679	4	spring washer DIN 007980-14-FST-A4C
10	01111179	1	screw m 8 x 70, d931 ISO 004014- M 8 X 70 - 8.8-A4 C



Befestigungsteile zum vorderen Deckel
Fastening parts for front cover
Pièces de fixation pour couvercle avant
Partes de fijación para tapa delantera



0150-01-500 3339



BREATHER

Fig.	P/n	QTY	Name
------	-----	-----	------

Notes:
[DXbis 145]

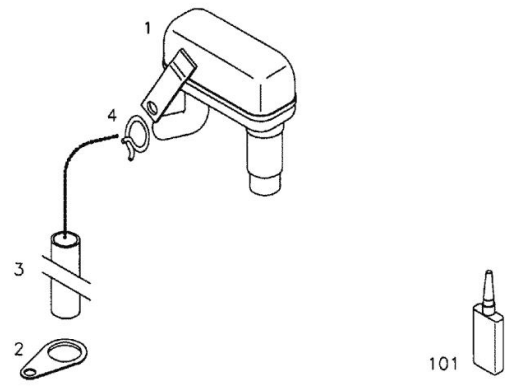
1	02238156	1	breather
2	02138266	1	fan
3	01400708	1	flexible hose 19x27x450 H 007760-A19 X27 X 450
4	01179854	1	clamp H 000735-SK 29-1
101	01008383	1	gasket H 000699-DEUTZ DW 47- 75 ML



Entlüftung
Breather
Desaerage/ventilation
Desaireación

Referenznr.:
0150 -01- 0500 3860

002

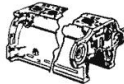


Section: ENGINE

INTERMEDIATE GEAR BEARING

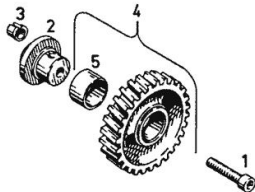


Zwischenradlager
Idler gear bearing
Tourillon de pignon intermédiaire
Soporte para rueda intermedia



0150-01-500 6503

Fig.	P/n	QTY	Name
Notes: [DXbis 145]			
1	01110688	1	screw DIN 000912- M10 X 60 -10.9-A4 C
2	02234172	1	pin
3	02101007	1	bushing
4	03362541	1	gear
5	03362538	1	bushing



Section: ENGINE

NOZZLE

Fig.	P/n	QTY	Name
------	-----	-----	------

Notes:

[DXbis 145]

1	02231304	1	nozzle
---	----------	---	--------

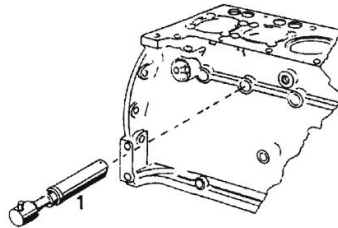


Spritzdüse
Spray nozzle
Pulvérisateur
Tobera de dispersion

Stück / Zyl.-Einheit
Pieces / cyl. unit
Qté / cylindre
Cantid./unid. cilind.



0150-01-500 6727



Section: ENGINE

DIPSTICK

Fig.	P/n	QTY	Name
Notes:			
[DXbis 145]			
1	03362502	1	dipstick H 003535-A - 304- 261X 28- 32
2	01165975	1	oil seal 5x2 H 002927- 5 X 2 -NBR-1-60
3	01167269	1	bush H 002341-B13X14



Ölmeßstab
Dipstick
Jauge de profondeur
Sonda de aceite

Referenznr.: 05022206

0150 -01- 0503 0799

000



Section: ENGINE

BLANKING PARTS

Fig.	P/n	QTY	Name
------	-----	-----	------

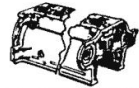
Notes:

[DXbis 145]

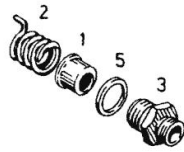
1	02135019	1	tube
2	02237638	1	spring
3	02234350	1	vent
5	01118750	1	oil seal DIN 007603-A 24 X 30 -AL



Verschlussteile
Locking parts
Pièces de fermeture
Partes de cierre



0150—01—503 0825



Thank you so much for reading.
Please click the “Buy Now!”
button below to download the
complete manual.



After you pay.

You can download the most
perfect and complete manual in
the world immediately.

Our support email:

ebooklibonline@outlook.com