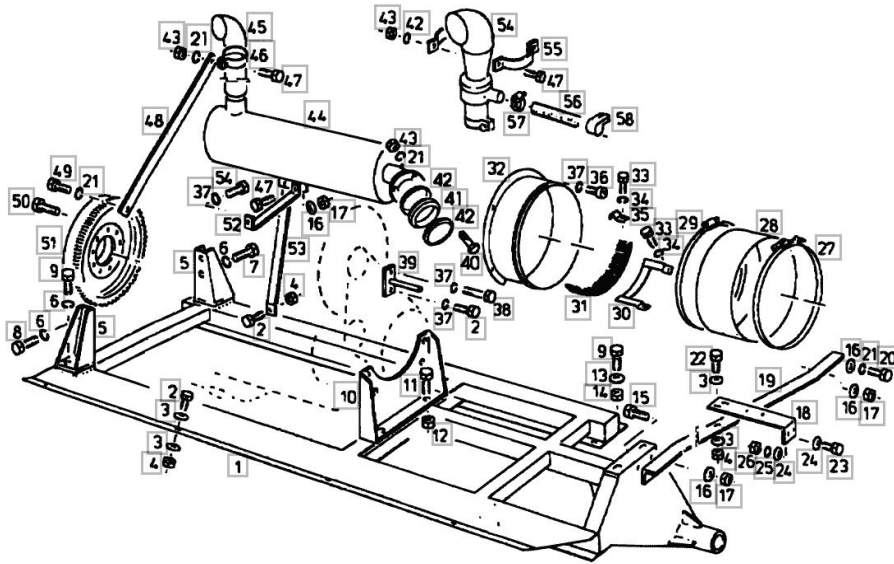


Section: ENGINE

ENGINE ASSEMBLY PARTS

Fig.	P/n	QTY	Name
------	-----	-----	------

Notes:
[ECTRON 5530]

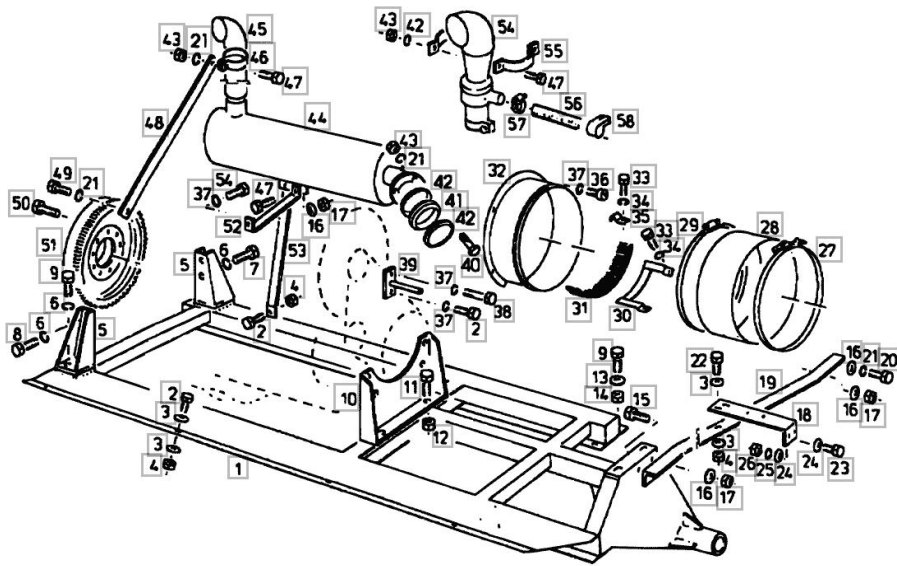


1	06513657	1	chassis frame
2	01112322	4	screw m 8 p.1.25 x 20
3	01107163		washer 9, d126
4	01104944	5	nut m 8, d985
5	06254961	2	bracket
6	01102801	8	washer 12
7	01112554	1	screw m 12 x 45
8	01112547	3	screw m 12 x 40, d933
9	01112529	8	screw m 12 x 30, d933
10	06288037	1	console
11	01112661	2	screw
12	01127856	2	nut m 16, d985
13	06214206		washer 13.2
14	06209769	8	nut m 12, d985
15	01112429	2	screw m 10 x 30, d933
16	01107165		washer 10.5
17	06209768	5	nut m 10, d985
18	16007751	1	square
19	16007711	1	square
20	01112439	1	screw m 10 x 35, d933
21	01102800		washer 10.2
22	01112333	2	screw m 8 x 25, d933
23	01112264	2	screw m 6 x 20, d933
24	06214189	2	washer 6.4
25	01102797	2	washer 6, d128
26	01112813	2	nut m 6
27	01141628	1	fascia 325 d
28	06513719	1	screw
29	06216476	1	bracket 310-330/12
30	06513222	1	support
31	06260362	1	bushing
32	06513681	1	ring
33	01112240	5	screw m 6 x 12
34	01102797	5	washer 6, d128
35	01115942	3	clamp 7
36	01126918	4	screw m 8 p.1.25 x 20
37	01102799	14	washer 8, d128
38	01111186	1	screw m 8 x 75
39	06513291	1	pin
40	01112447	4	screw m 10 x 40
41	02420249	1	gasket

Section: ENGINE

ENGINE ASSEMBLY PARTS

Fig.	P/n	QTY	Name
42	04183515	2	gasket
43	01102659	4	nut m 10, d934
44	16033944	1	silencer
45	06547029	1	exhaust pipe
46	01120895	2	fascia Ø 75
47	01112418	4	screw m 10 x 25, d933
48	06547208	1	carrier
49	01112407	1	screw m 10 x 20, d933
50	01104935	10	screw
51	04204260	1	flywheel kpl.
52	16050877	1	brace
53	06283961	1	brace
54	06513395	1	tube
55	06279395	2	fascia
56	06530905	1	tube
57	01173968	2	clamp Ø 25/40
58	04336881	4	clamp Ø 38

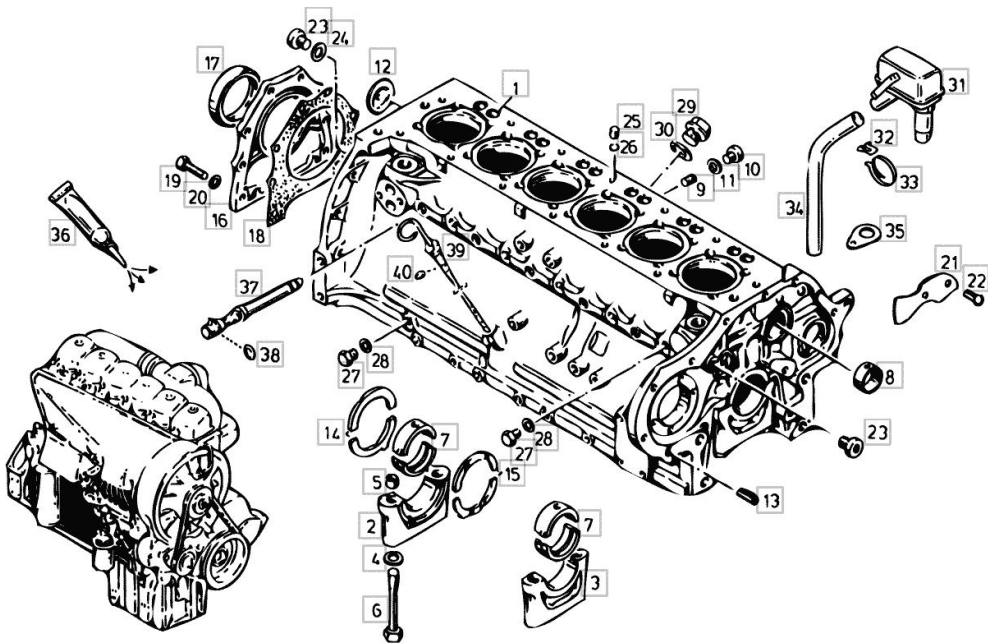


Section: ENGINE
ENGINE BEARING

Fig.	P/n	QTY	Name
------	-----	-----	------

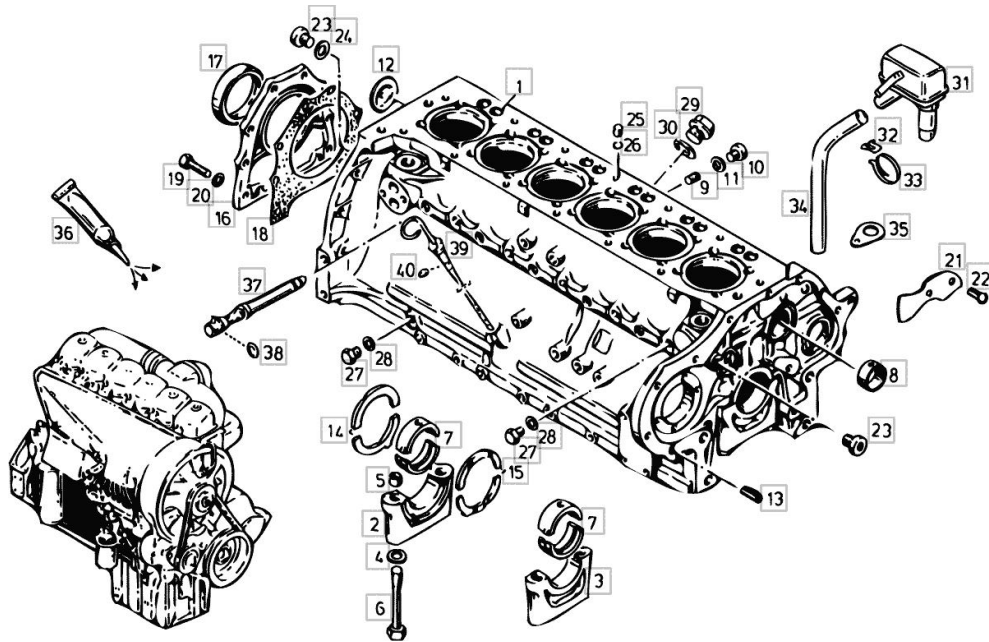
Notes:
[ECTRON 5530]

1	04156259	1	crankcase G 2-6,8-13,21-30
2	NL		cannot be supplied
3	NL		cannot be supplied
4	01216107	14	washer 15x23x1,5
5	04160764	14	bushing
6	04156058	14	screw
7	04231079	7	half-bushing D 75,00 MM
7.1	04231080		bearing D 74,75 MM
7.2	04231081		bearing D 74,50 MM
8	02139737	1	bushing
9	01215235	7	plug
10	01110422	7	screw
11	01118673	7	oil seal
12	01216240	1	disc
13	01167266	2	bush
14	04232790	1	shim 2,94 MM
14.1	04232792		shim 3,14 MM
15	04232791	1	shim 2,94 MM
15.1	04232793		disc 3,14 MM
16	02234870	1	cover
17	04232267	1	special oil seal
18	03362337	1	gasket
19	01112322	8	screw m 8 p.1.25 x 20
20	01107101	8	washer 8.4
21	04156862	1	plate
22	01115333	2	self tapping screw
23	04159934	2	screw
24	01118727	2	oil seal
25	01170580	5	plug
26	01167010	5	washer
27	01118997	5	screw cm10x1
28	01118659	5	oil seal
29	01118986	1	plug am26x1,5 d7604



Section: ENGINE
ENGINE BEARING

Fig.	P/n	QTY	Name
30	01118760	1	gasket 26x31
31	02139682	1	box
32	01166343	1	clamp
33	01166345	1	band
34	16022140	1	tube
35	02138266	1	fan
36	01016120		compound 1 kg
36.1	01001202		gasket
37	04231147	6	injector assembly
38	01173838	6	oil seal
39	01176369	1	dipstick G 39,40
40	01174311	1	oil seal

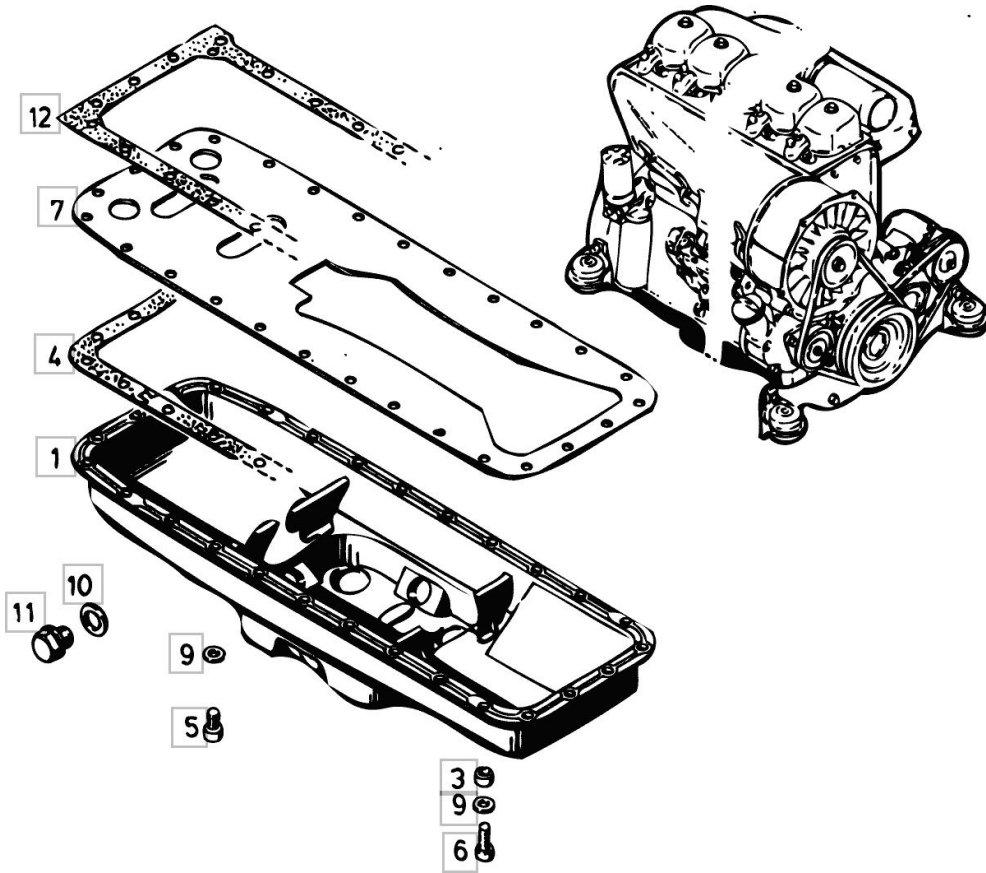


Section: ENGINE
ENGINE OIL PAN

Fig.	P/n	QTY	Name
------	-----	-----	------

Notes:
 [ECTRON 5530]

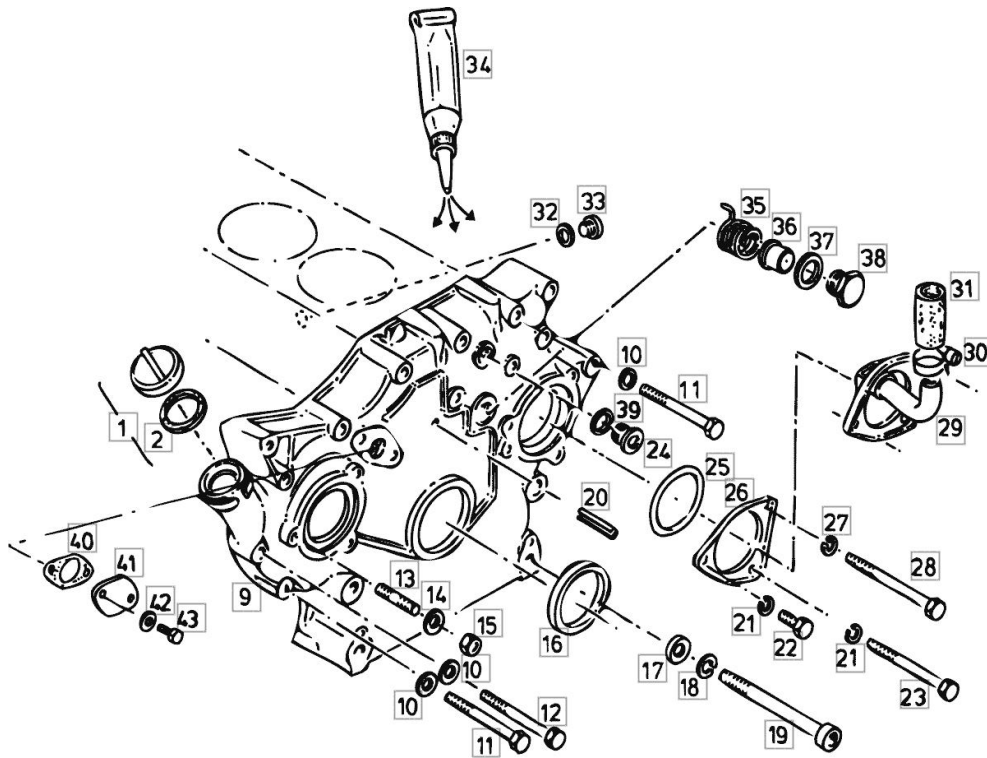
1	02234521	1	oil sump
3	01216151	1	bushing
4	04157240	1	gasket
5	01102193	26	screw m 8 x 16
6	01110577	1	screw m 8 x 25
7	04161492	1	division
9	01107548	27	washer 8.4
10	01118783	1	oil seal
11	01118988	1	screw
12	03362581	1	gasket



Section: ENGINE
ENGINE FRONT COVER

Fig.	P/n	QTY	Name
------	-----	-----	------

Notes:
 [ECTRON 5530]



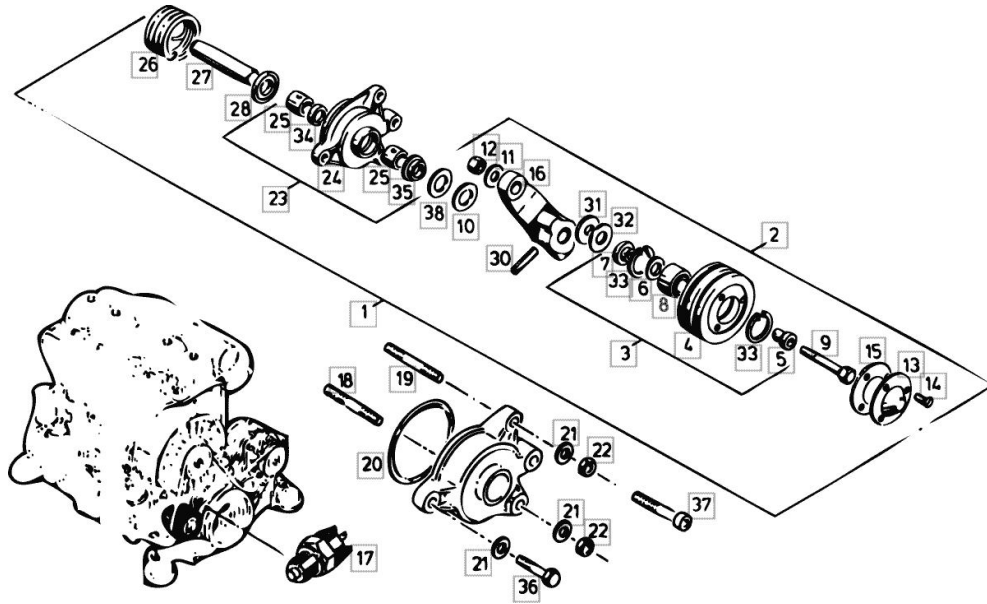
1	01236291	1	plug
2	01216293	1	oil seal
9	04158428	1	cover
10	01107101	5	washer 8.4
11	01111179	3	screw m 8 x 70, d931
12	01127046	1	screw m 8 x 60
13	01174191	1	screw m 8 x 25
13.1	01174192	1	screw
14	01216108	2	washer
15	01112824	2	nut m 8, d934
16	04232266	1	ring
17	01107556	16	washer
18	01127679	4	spring washer
19	01126146	4	screw
20	01115459	1	pin
21	01102799	2	washer 8, d128
22	01112295	1	screw m 8 x 10
23	01122399	1	screw
24	01137308	1	screw
25	01166111	1	oil seal
26	NE		plate
27	01102800	1	washer 10.2
28	01111334	1	screw
29	02233056	1	cover
30	01173962	2	clamp Ø 20/32
31	01175630	1	sleeve 22x29x71
32	01118673	1	oil seal
33	01110422	1	screw
34	01016120		compound 1 kg
35	02237638	1	spring
36	02135019	1	tube
37	01118750	1	oil seal
38	04230057	1	screw
39	01118716	1	oil seal 18 x 24
40	01157763	1	gasket
41	01165854	1	flange
42	01107101	2	washer 8.4
43	01112307	2	screw m 8 p.1.25 x 15, d933

Section: ENGINE

ENGINE COVER WITH IDLER PULLEY

Fig.	P/n	QTY	Name
------	-----	-----	------

Notes:
[ECTRON 5530]



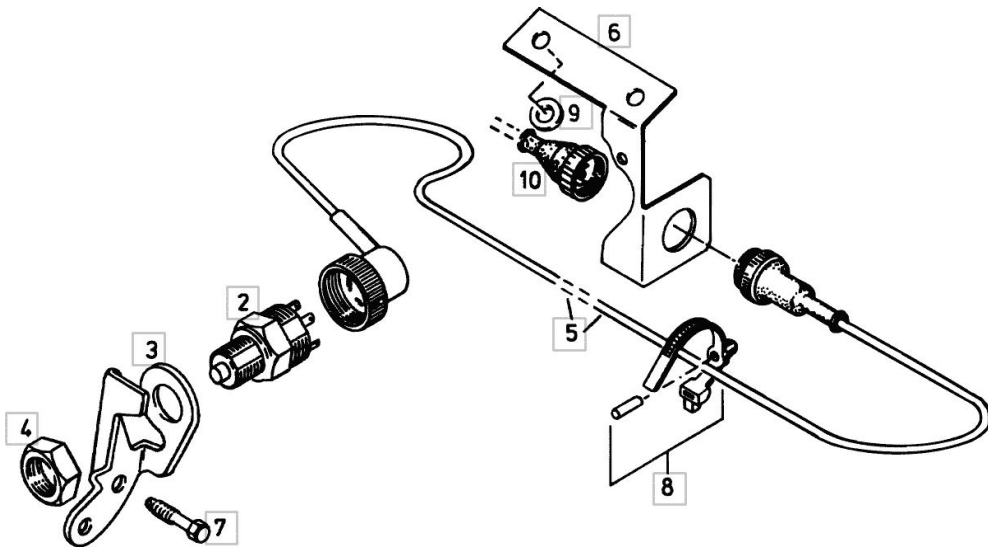
1	04152514	1	tensioner
2	04152524	1	pulley
3	02237959	1	pulley
4	02237846	1	pulley
5	02237849	1	bush
6	02237850	1	washer
7	02237848	1	ring
8	01171646	1	ball bearing
9	01111317	1	screw m 10x60 d931
10	04152509	1	shim
11	01107105	1	washer 10.5
12	01102659	1	nut m 10, d934
13	02237847	1	cover
14	01136951	3	screw
15	02136434	1	gasket
16	04152532	1	lever
17	04191001	1	push-button B A06
18	01174192	1	screw
19	01174191	1	screw m 8 x 25
20	01179670	1	oil seal
21	01216108	3	washer
22	01112824	2	nut m 8, d934
23	04153128	1	cover
24	04153130	1	cover
25	02238022	2	bushing
26	02238021	1	spring
27	02238081	1	shaft
28	02238083	1	washer
30	01115474	1	pin
31	01216123	3	washer
32	01216095	2	washer
33	01107818	2	ring
34	02238084	1	bushing
35	04158766	1	oil seal
36	01174194	1	screw
37	NE		plate
38	04152517	1	shim
39	NE		plate

ENGINE STOP-SWITCH MOUNTING

Fig.	P/n	QTY	Name
------	-----	-----	------

Notes:
[ECTRON 5530]

2	04191001	1	push-button
3	02245062	1	console
4	01101294	1	nut
5	02248490	1	tube B H06
6	04154610	1	console
7	01171763	1	screw m 8 p.1.25 x 20
8	01172979	1	band
9	03382693	1	washer
10	02245054	1	socket B H06



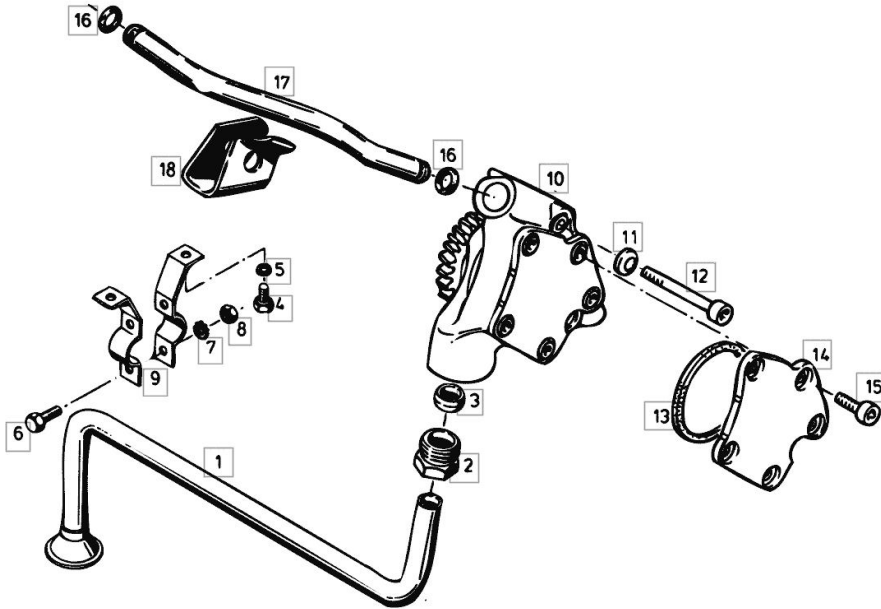
Section: ENGINE

ENGINE OIL PUMP

Fig.	P/n	QTY	Name
------	-----	-----	------

Notes:
[ECTRON 5530]

1	02240926	1	primer
2	01213241	1	screw
3	01213240	1	ring
4	01112297	2	screw m8x12 d933
5	01102799	2	washer 8, d128
6	01103316	2	screw m 6 p.1.0 x 16
7	01117861	2	washer
8	01112813	2	nut m 6
9	02136648	2	fascia
10	04232511	1	water pump G 10, 13-15
11	01169689	2	washer
12	01110606	2	screw
13	02137612	1	oil seal
14	02237234	1	cover
15	02237346	1	screw
16	01174605	2	oil seal
17	02239983	1	tube
18	02138201	1	spring



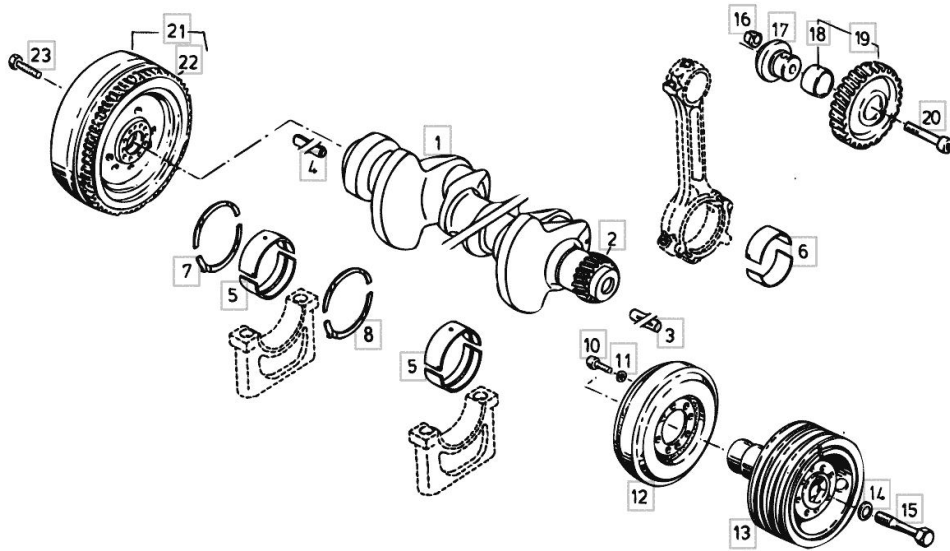
Section: ENGINE

ENGINE CRANKSHAFT

Fig.	P/n	QTY	Name
------	-----	-----	------

Notes:
[ECTRON 5530]

1	02931059	1	crankshaft
2	02237255	1	gear
3	01137239	1	pin
4	01157357	1	grub screw
5	04231079	7	half-bushing 75,00 MM
6	04232679	6	con.rod half bushing 66,00 MM
7.1	04232792	1	shim 3,14 MM
8	04232791	1	shim 2,94 MM
10	01110560	8	screw
11	01172303	8	washer
12	02233098	1	shock absorber
13	04158489	1	pulley
14	01216128	1	washer
15	01178931	1	screw
16	04156283	1	bush
17	04156284	1	pin
18	03362538	1	bushing
19	04153996	1	gear wheel
20	01151461	1	screw
21	04204260	1	flywheel kpl.
22	02131081	1	crown wheel
23	01104935	10	screw

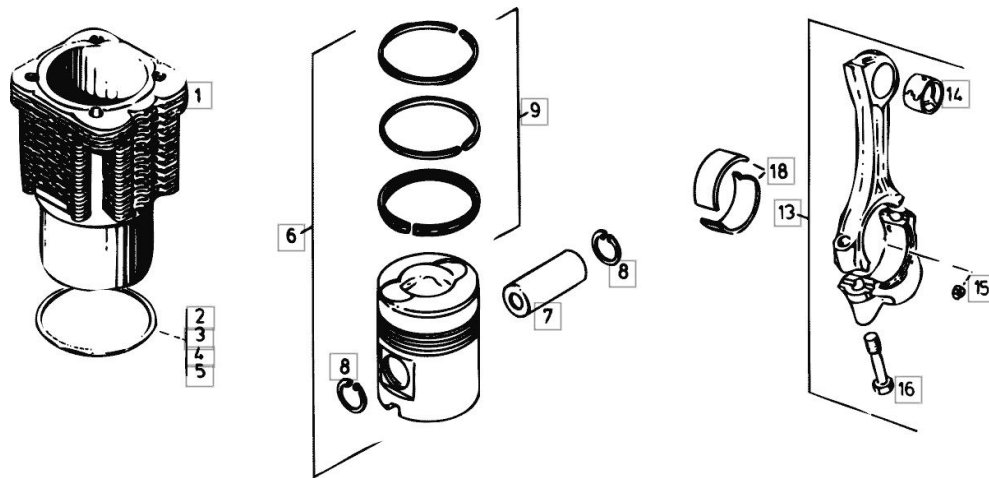


Section: ENGINE

ENGINE CYLINDER / PISTON

Fig.	P/n	QTY	Name
------	-----	-----	------

Notes:
[ECTRON 5530]



1	04231519	6	engine cylinder
2	02137256	12	shim mm 0.20 0,2 MM
2.1	04153358		ring mm 0.3 0,3 MM
3	04231432	18	ring mm 0.50 0,5 MM
4	04231433	6	ring mm 0.8 0,8 MM
5	04231434	6	ring mm 1.00 1,0 MM
6	04232423	6	piston 102,00 MM
6.1	04232427		piston 102,50 MM
7	02133883	6	piston pin
8	01107827	12	circlip 40 x 1.75
9	04231303	6	piston ring set mm 102.00 102,00 MM
9.1	04231420		piston ring set 102,50 MM
13	04233246	6	rod
14	02138563	6	bush
15	02136101	6	pin
16	04157075	12	screw
18	04232679	6	con.rod half bushing 66,00 MM
18.1	04232680		conrod bearing 65,75 MM
18.2	04232681		conrod bearing 65,50 MM

Thank you so much for reading.
Please click the “Buy Now!”
button below to download the
complete manual.



After you pay.

You can download the most
perfect and complete manual in
the world immediately.

Our support email:

ebooklibonline@outlook.com