

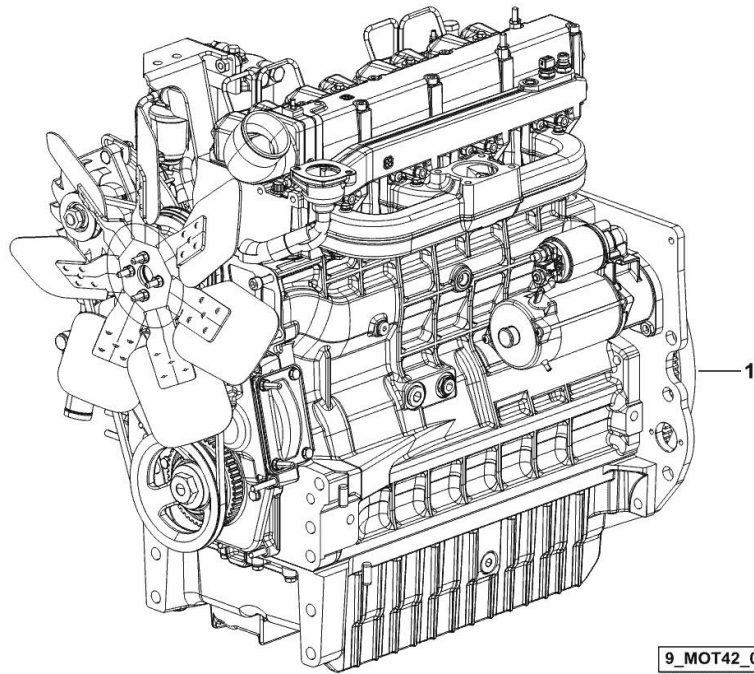
ENGINE

Fig.	P/n	QTY	Name
------	-----	-----	------

Notes:

[EXPLORER 85 SPECIAL -> 70001 2WD] [EXPLORER 85 SPECIAL -> 70001 4WD]

1	I6.35801.00.0	1	engine ON ORDERING PLEASE ENGINE NO. REQUIRED
---	---------------	---	-----------------------------------------------------



9_MOT42_00_M-A-001

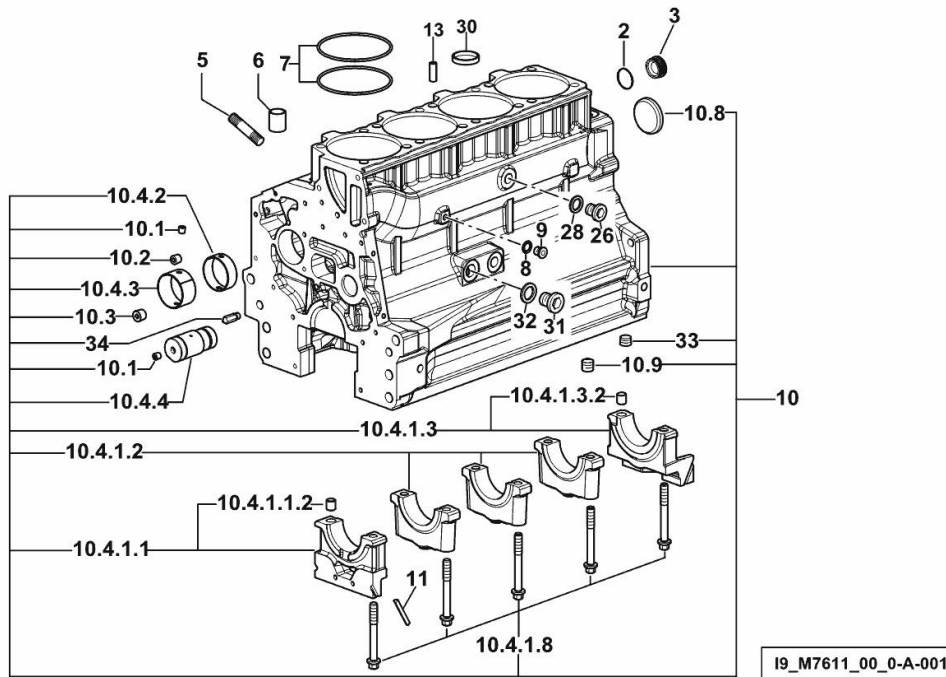
CRANKCASE

Fig.	P/n	QTY	Name
------	-----	-----	------

Notes:

[EXPLORER 85 SPECIAL -> 70001 2WD] [EXPLORER 85 SPECIAL -> 70001 4WD]

2	2.1532.072.0	1	oil seal 26.70x1.78
3	2.3199.405.2	1	plug m 28 p.1.5
5	2.0432.003.7	12	stud bolt m 8 p.1.25 / p.1 x 20
6	2.1559.188.2	4	bush 11.4 x 14 x16
7	2.1539.259.0	8	special oil seal 107.62x2.62
8	2.1560.010.0	1	gasket 14.2 x 20
9	2.3199.292.0	1	plug 1/4" gas
10	0.014.8702.4/10	1	crankcase
10.1	2.3130.001.1	11	plug 1/8" gas
10.2	2.3130.002.1	2	plug 1/4" gas
10.3	2.3130.003.1	5	plug 3/8" gas
10.4.1.1	0.065.1112.3	1	support
10.4.1.1.2	2.1699.165.0	1	bush 12.3x15x16
10.4.1.2	0.065.1114.0/10	3	support
10.4.1.3	0.065.1116.3	1	support
10.4.1.3.2	2.1699.165.0	1	bush 12.3x15x16
10.4.1.8	0.065.1117.0	10	screw m 12 x 100
10.4.2	0.012.0829.0	4	special bushing 59X55X20
10.4.3	0.012.0830.0	1	special bushing 59X55X30
10.4.4	0.014.1340.0/10	1	pin mm 85
10.8	2.3179.012.0	1	plug 60
10.9	2.1324.011.0	1	plug
11	0.066.1152.0/10	4	gasket
13	2.1549.154.2	4	bush 4.8x5.8x16
26	2.3120.101.0	1	plug m 18 p.1.5
28	2.1560.014.0	1	washer 18.2 x 24
30	2.3171.010.4	1	plug 25
31	2.3120.002.4	1	plug m 22 x 1.5
32	2.1560.017.0	1	gasket 22.2 x 27
33	2.3130.003.1	2	plug 3/8" gas
34	0.013.4946.0/10	1	sprayer nozzle



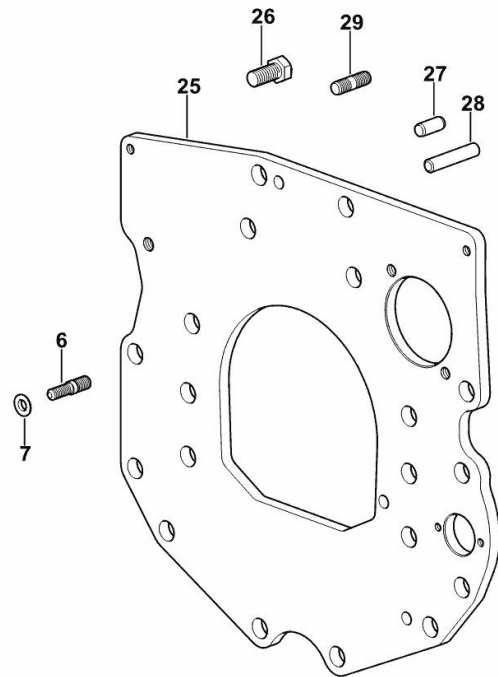
MONOBLOC ENGINE-GEARBOX CONNECTING FLANGE

Fig.	P/n	QTY	Name
------	-----	-----	------

Notes:

[EXPLORER 85 SPECIAL -> 70001 2WD] [EXPLORER 85 SPECIAL -> 70001 4WD]

6	2.0439.250.7	1	stud bolt m 12 / m 10 x 30
7	0.011.9294.0/10	1	bush
25	0.066.1130.0/20	1	flange
26	2.0112.511.2	8	screw m 14 p.2 x 30
27	2.1651.912.0	2	cylindrical plug 12x28
28	2.1651.917.0	1	cylindrical plug 12x40
29	2.0432.257.7	1	stud bolt m 12 p.1.75 - 1.25 x 30



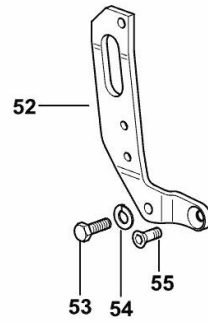
ENGINE LIFTING BRACKET

Fig.	P/n	QTY	Name
------	-----	-----	------

Notes:

[EXPLORER 85 SPECIAL -> 70001 2WD] [EXPLORER 85 SPECIAL -> 70001 4WD]

52	0.007.6516.2/20	1	bracket
53	2.0112.310.2	1	screw m 10 p.1.5x28
54	2.1474.010.2	1	washer 10
55	2.0342.405.6	1	screw m 10 p 1.5 x 20



9_E8583_00_0-D-001

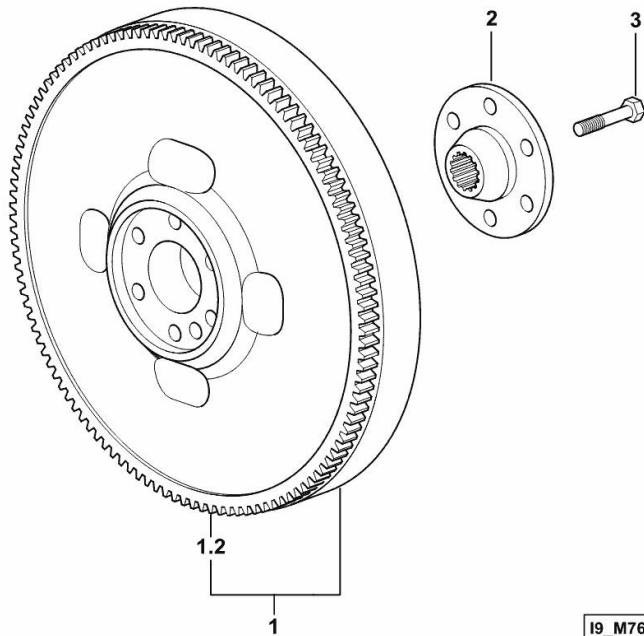
ENGINE FLYWHEEL

Fig.	P/n	QTY	Name
------	-----	-----	------

Notes:

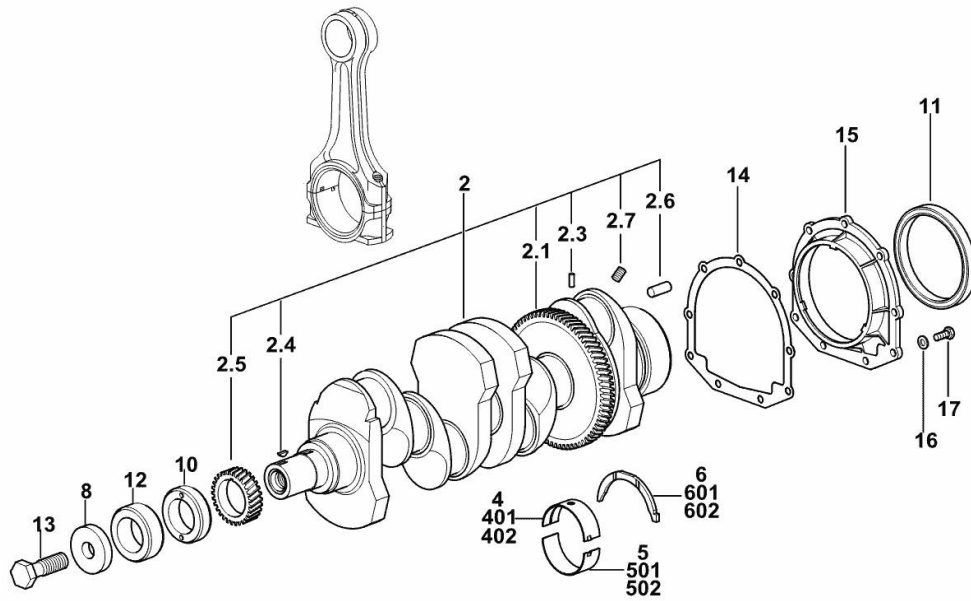
[EXPLORER 85 SPECIAL -> 70001 2WD] [EXPLORER 85 SPECIAL -> 70001 4WD]

1	0.012.2626.3/10	1	flywheel
1.2	0.065.1242.0	1	crown wheel Z = 123
2	0.255.2525.0/10	1	flange
3	2.0139.022.2	6	screw m 12 p.1.25x55



19_M7612_04_0-A-001

CRANKSHAFT



19_M7612_00_0-A-001

Fig.	P/n	QTY	Name
------	-----	-----	------

Notes:

[EXPLORER 85 SPECIAL -> 70001 2WD] 71087 <- [EXPLORER 85 SPECIAL -> 70001 4WD] 71087 <-

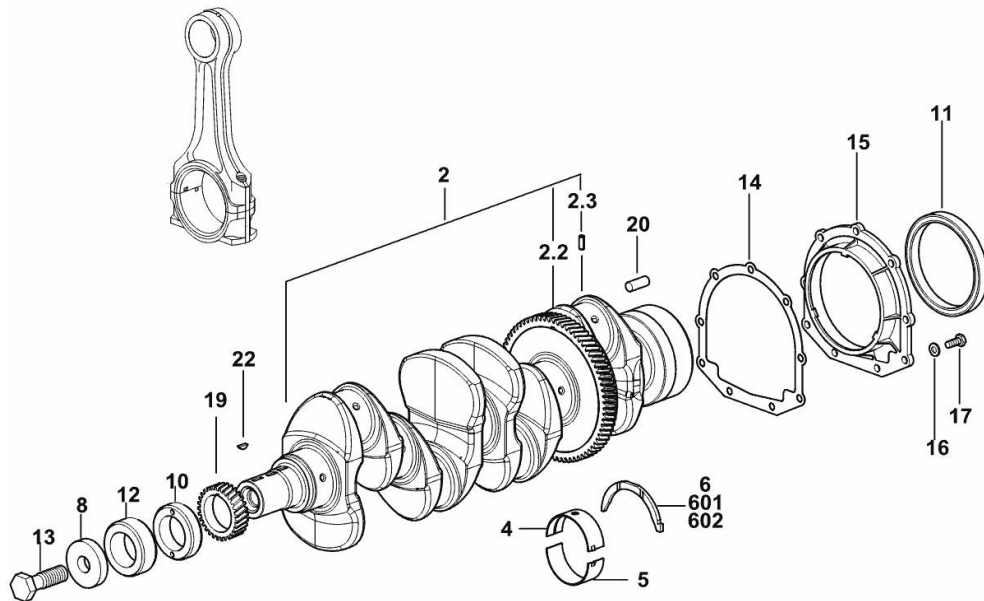
2	0.086.1210.3/40	1	crankshaft
2.1	0.065.1211.0/10	1	crown wheel
2.3	2.1630.608.0	1	pin 6x16
2.4	2.1720.006.0	1	key 4x6.5
2.5	0.065.1323.0/30	1	gear Z = 29
2.6	2.1651.915.0	1	pin 12x35
2.7	2.3130.001.1	4	plug 1/8" gas
4	0.065.1215.0/10	5	main half bushing STANDARD
5	0.065.1216.0/10	5	main half bushing STANDARD
6	0.065.1218.0	4	shim STANDARD
8	2.1599.524.7	1	washer 21x60x12
10	0.085.1248.0/20	1	hub
11	2.1529.073.0	1	special oil seal 110x130x13
12	0.014.7054.0	1	spacer
13	2.0399.144.7/10	1	screw m 20 p.1.5x51
14	0.065.1254.0/20	1	gasket
15	0.007.1711.0/10	1	cover
16	2.1475.002.2	9	conical washer 8
17	2.0112.207.2	9	screw m 8 p 1.25 x 20
401	0.065.1215.7	1	main half bushing - mm 0.25
402	0.065.1215.8	1	main half bushing - mm 0.50
501	0.065.1216.7	1	main half bushing - mm 0.25
502	0.065.1216.8	1	main half bushing - mm 0.50
601	0.065.1218.7	1	shim + mm 0.10
602	0.065.1218.8	1	shim + mm 0.15

CRANKSHAFT

Fig.	P/n	QTY	Name
------	-----	-----	------

Notes:

[EXPLORER 85 SPECIAL -> 70001 2WD] -> 71086 [EXPLORER 85 SPECIAL -> 70001 4WD] -> 71086



2	0.021.8246.3	1	crankshaft
2.2	0.065.1211.0/10	1	crown wheel
2.3	2.1630.608.0	1	pin 6x16
4	0.019.5455.0	5	main half bushing STANDARD
5	0.019.5456.0	5	main half bushing STANDARD
6	0.065.1218.0	4	shim STANDARD
8	2.1599.524.7	1	washer 21x60x12
10	0.085.1248.0/20	1	hub
11	2.1529.073.0	1	special oil seal 110x130x13
12	0.014.7054.0	1	spacer
13	2.0399.144.7/10	1	screw m 20 p.1.5x51
14	0.065.1254.0/20	1	gasket
15	0.007.1711.0/10	1	cover
16	2.1475.002.2	9	conical washer 8
17	2.0112.207.2	9	screw m 8 p 1.25 x 20
19	0.065.1323.0/30	1	gear Z = 29
20	2.1651.915.0	1	pin 12x35
22	2.1720.006.0	1	key 4x6.5
601	0.065.1218.7		shim + mm 0.10
602	0.065.1218.8		shim + mm 0.15

19_M7612_00_0-A-002

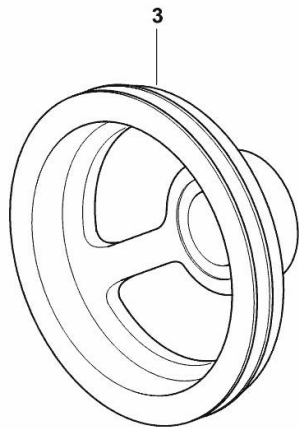
CRANKSHAFT PULLEY

Fig.	P/n	QTY	Name
------	-----	-----	------

Notes:

[EXPLORER 85 SPECIAL -> 70001 2WD] [EXPLORER 85 SPECIAL -> 70001 4WD]

3	0.007.1457.0/30	1	pulley
---	-----------------	---	--------



9_N9912_02_0-A-001

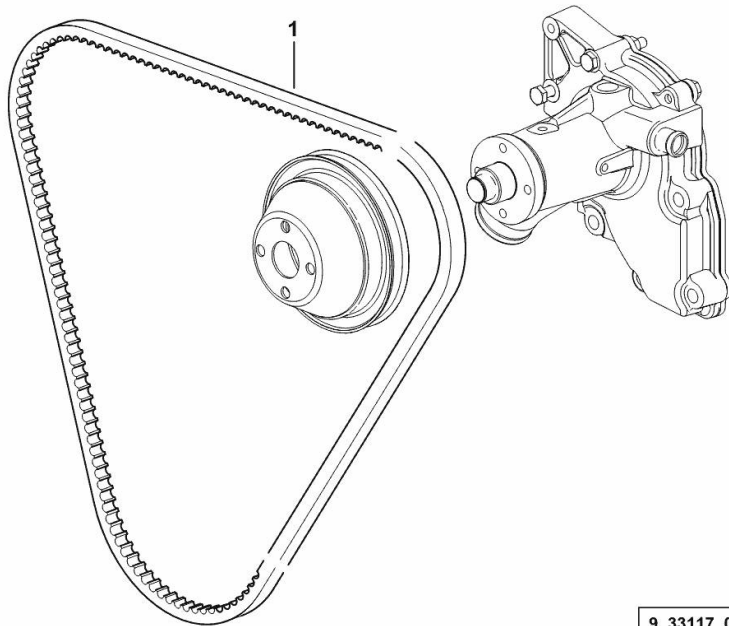
COOLANT PUMP AND ALTERNATOR DRIVEBELT

Fig.	P/n	QTY	Name
------	-----	-----	------

Notes:

[EXPLORER 85 SPECIAL -> 70001 2WD] [EXPLORER 85 SPECIAL -> 70001 4WD]

1	2.4119.193.0	1	vee belt AV 10 x 1254 mm
---	--------------	---	--------------------------



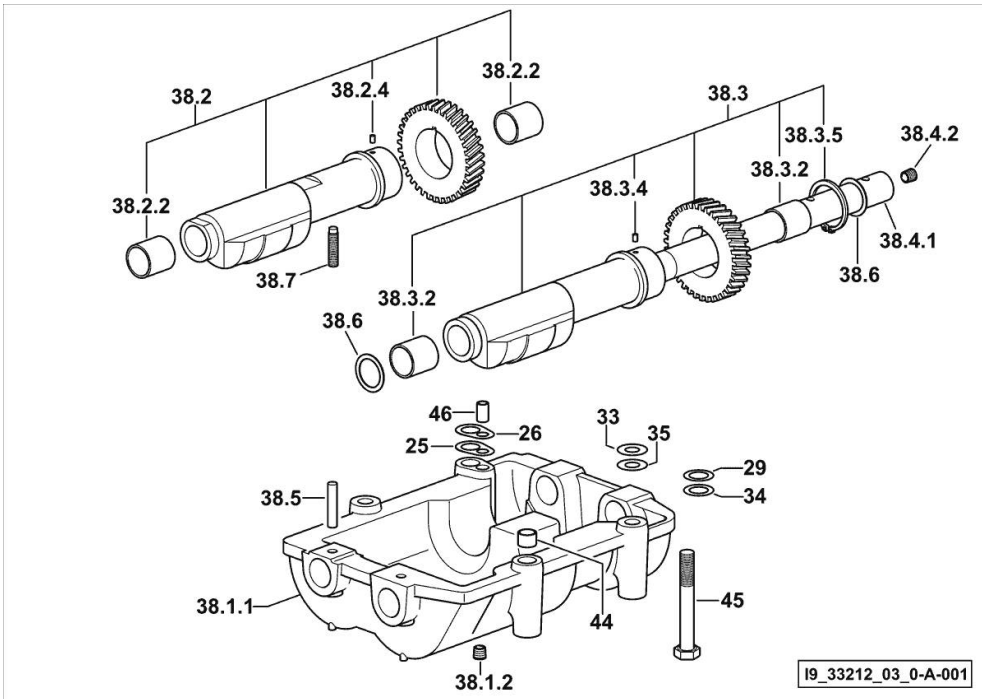
9_33117_09_0-A-001

COUNTERWEIGHTS

Fig.	P/n	QTY	Name
------	-----	-----	------

Notes:

[EXPLORER 85 SPECIAL -> 70001 2WD] [EXPLORER 85 SPECIAL -> 70001 4WD]



25	2.1589.139.0	1	shoulder ring mm 0.3
26	2.1589.140.0	3	shoulder ring mm 0.1
29	2.1579.628.0	3	spacer 16.5x26x0.1
33	2.1579.629.0	6	spacer 12.5x26x0.1
34	2.1589.048.0	1	shoulder ring 16.5x26x0.3
35	2.1589.049.0	1	shoulder ring 12.5x26x0.3
38.1.1	0.086.1231.0/10	1	box
38.1.2	2.3130.001.1	4	plug 1/8" gas
38.2	0.086.1233.3/30	1	mass sx/lh/li
38.2.2	2.1559.115.0	2	special bushing 26x30x30
38.2.4	2.1651.302.0	1	roll pin 4x6
38.3	0.065.1233.3/30	1	mass dx/rh/re
38.3.2	2.1559.115.0	2	special bushing 26x30x30
38.3.4	2.1651.302.0	1	roll pin 4x6
38.3.5	2.1410.018.1	1	circlip 45
38.4.1	0.065.1234.0/10	1	shaft
38.4.2	2.3130.001.1	1	plug 1/8" gas
38.5	2.1631.717.0	2	roll pin 8 x 40
38.6	2.1589.185.0	4	shoulder ring 26.1x34x1
38.7	2.0522.212.7	1	screw m 8 p.1.25 x 30
44	2.1579.626.0	2	spacer 13.2x16x11
45	2.0139.028.2	4	screw m 12
46	2.1699.191.0	1	bush 7x10x16

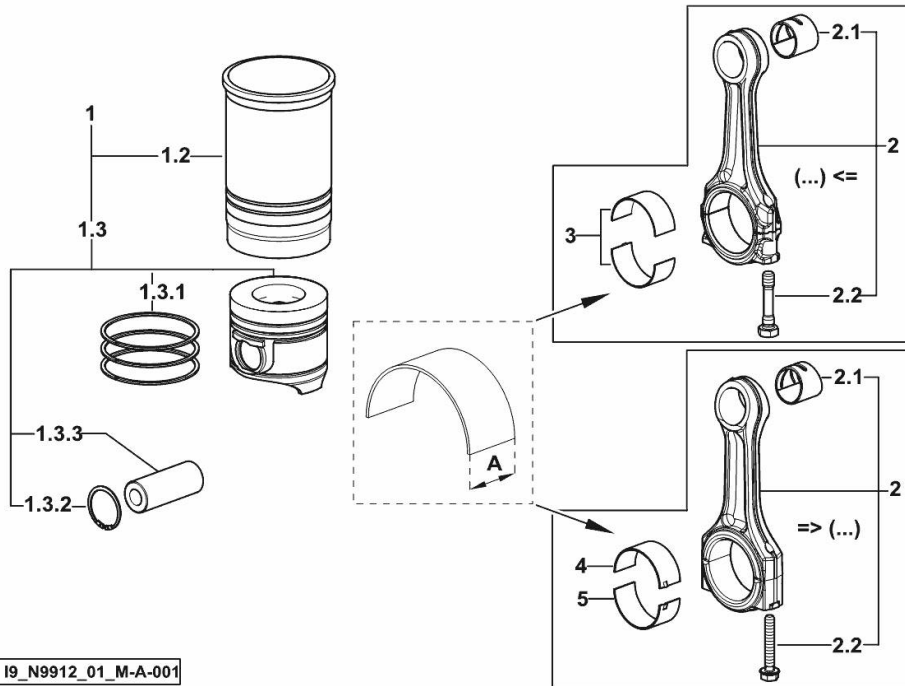
CYLINDER - PISTON - CONNECTING ROD

Fig.	P/n	QTY	Name
------	-----	-----	------

Notes:

[EXPLORER 85 SPECIAL -> 70001 2WD] [EXPLORER 85 SPECIAL -> 70001 4WD]

1	0.386.0065.A	4	cyl. piston assembly "A" - CLASS A
1	0.386.0065.B	4	cyl. piston assembly "B" - CLASS B
1.2	0.A12.2675.0	1	engine cylinder "A" - CLASS A
1.2	0.B12.2675.0	1	engine cylinder "B" - CLASS B
1.3	0.379.0060.A	1	complete piston "A" - CLASS A
1.3	0.379.0060.B	1	complete piston "B" - CLASS B
1.3.1	0.086.0052.6/10	1	piston ring set
1.3.2	2.1411.014.1	2	circlip 35
1.3.3	0.078.1236.0	1	piston pin Ø 18 / Ø 35 / L = mm 86
2	0.019.2226.3/10	4	engine connecting rod => (...)
2	0.078.1220.3/30	4	engine connecting rod (...) <=
2.1	2.1559.114.0/10	1	special bushing (...) <=
2.1	2.1559.532.0	1	special bushing 34.60x39.130x36.65 => (...)
2.2	2.0399.213.0	2	screw m 12 p.1.25x61.5 (...) <=
2.2	2.0399.365.0	2	screw m 10 p.1.25x61.5 => (...)
3	0.065.1225.0	8	con.rod half bushing STANDARD - A = 28.75 -> 29.00 (...) <=
3	0.065.1225.7	8	con.rod half bushing - mm 0.25 (...) <=
3	0.065.1225.8	8	con.rod half bushing - mm 0.50 (...) <=
4	0.019.5453.0	4	con.rod half bushing STANDARD - A = 29.85 -> 30.10 => (...)
5	0.019.5454.0	4	con.rod half bushing STANDARD - A = 29.85 -> 30.10 => (...)

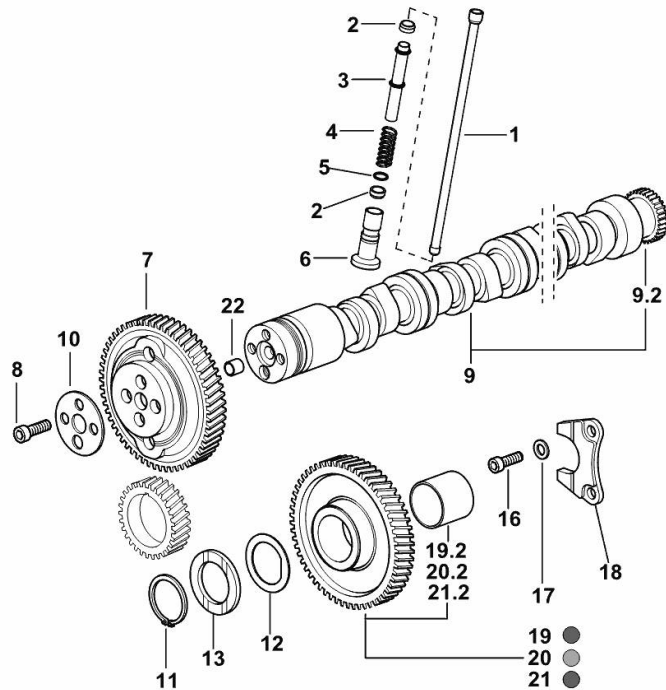


CAMSHAFT

Fig.	P/n	QTY	Name
------	-----	-----	------

Notes:

[EXPLORER 85 SPECIAL -> 70001 2WD] [EXPLORER 85 SPECIAL -> 70001 4WD]



1	0.065.1331.2	8	rod
2	2.1569.114.0/10	16	gasket 14x18.5x8
3	0.065.1332.0	8	sleeve
4	2.4019.300.1/10	8	spring 18.5x52x2
5	2.1599.437.0	8	shoulder ring
6	0.065.1330.0	8	tappets
7	0.013.5017.0	1	gear z=58
8	2.0132.207.2	4	screw m 10 p.1 x 25
9	0.066.1310.3/40	1	camshaft
9.2	0.065.1324.0/10	1	gear Z = 32
10	0.065.1350.0	1	small disc
11	2.1410.016.1	1	circlip 40
12	0.065.1352.0	1	shim
13	0.018.2233.0	2	shoulder ring
16	2.0312.205.2	2	screw
17	2.1480.014.1	2	washer 8
18	0.065.1353.0	1	small plate
19	0.007.1177.3/20	0.1	gear z = 57 - WITH RED IDENTIFICATION STAMP
19.2	2.1559.185.0/10	1	bushing
20	0.007.1178.3/20	0.1	gear z = 57 - WITH YELLOW IDENTIFICATION STAMP
20.2	2.1559.185.0/10	1	bushing
21	0.007.1179.3/20	0.8	gear z = 57 - WITH GREEN IDENTIFICATION STAMP
21.2	2.1559.185.0/10	1	bushing
22	2.1559.398.0	1	bushing 10.5x13x12

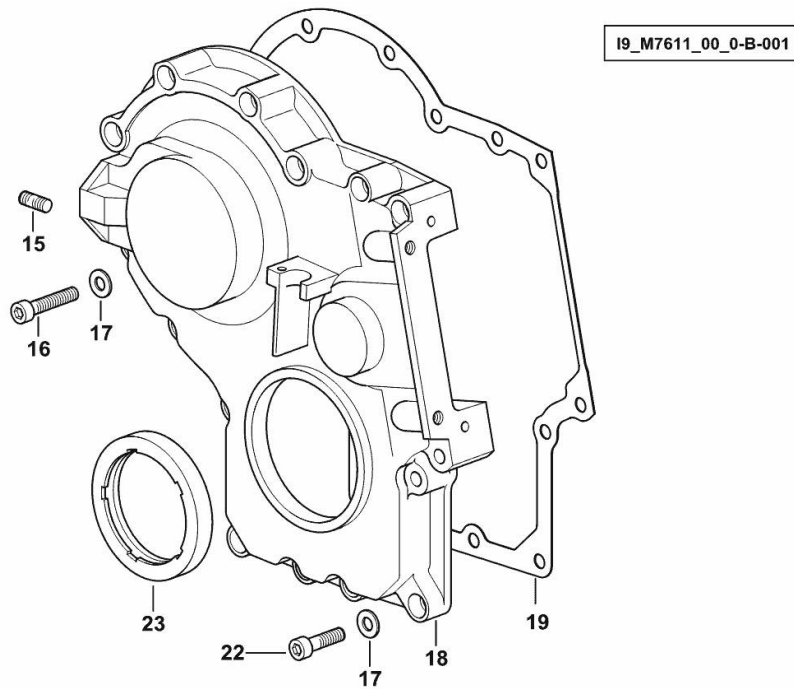
TIMING CASE

Fig.	P/n	QTY	Name
------	-----	-----	------

Notes:

[EXPLORER 85 SPECIAL -> 70001 2WD] [EXPLORER 85 SPECIAL -> 70001 4WD]

15	2.0432.003.7	2	stud bolt m 8 p.1.25 / p.1 x 20
16	2.0312.214.2	7	screw m 8 p.1.25 x 40
17	2.1480.014.1	15	washer 8
18	0.013.4981.0	1	guard
19	0.065.1150.0/30	1	gasket
22	2.0312.208.2	8	screw m 8 p.1.25 x 25
23	2.1529.167.0	1	oil seal



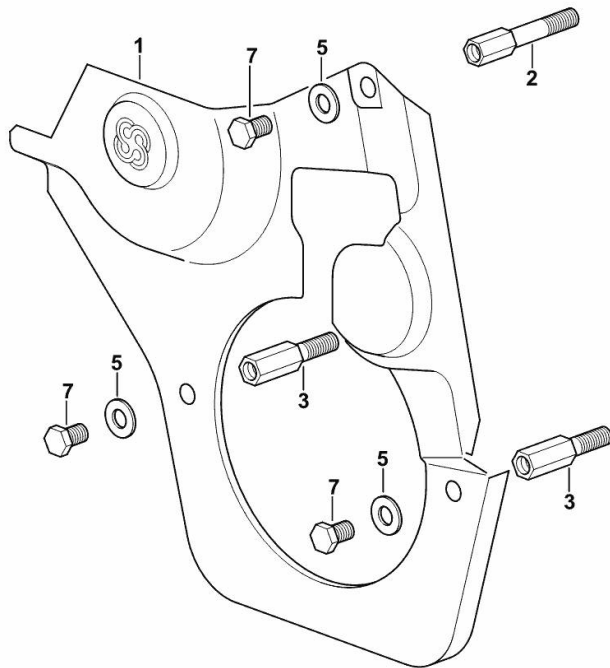
GUARD PLATE

Fig.	P/n	QTY	Name
------	-----	-----	------

Notes:

[EXPLORER 85 SPECIAL -> 70001 2WD] [EXPLORER 85 SPECIAL -> 70001 4WD]

1	0.007.1262.3/50	1	guard
2	0.012.0707.0	1	small column m 8 p.1.25 / L = mm 60
3	0.012.0708.0	2	small column m 8 p.1.25 / L = mm 50
5	2.1310.004.2	3	flat washer 8.4x17
7	2.0112.203.2	3	screw m 8 p.1.25 x 12



19_N9911_03_0-A-001

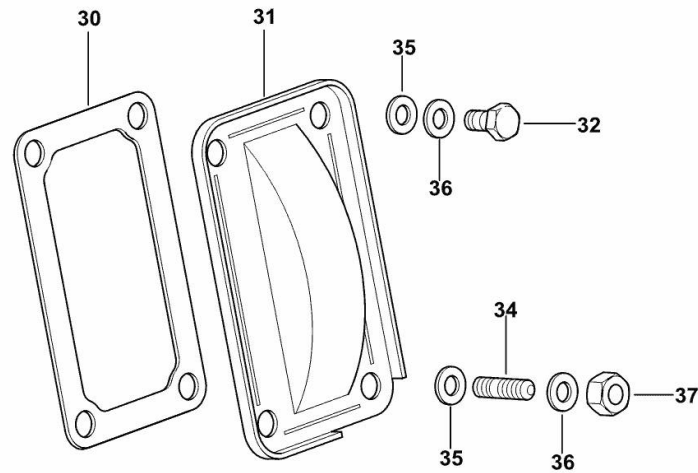
CASING COVER

Fig.	P/n	QTY	Name
------	-----	-----	------

Notes:

[EXPLORER 85 SPECIAL -> 70001 2WD] [EXPLORER 85 SPECIAL -> 70001 4WD]

30	0.065.1152.0	1	gasket
31	0.065.1151.0	1	cover
32	2.0112.205.2	2	screw m 8 p.1.25 x 16
34	2.0432.005.7	2	stud bolt m 8 p.1.5 / p.1 x 25
35	2.1310.004.2	4	flat washer 8.4x17
36	2.1470.004.2	4	lock washer 8
37	2.1011.105.2	2	nut m 8 p.1.25



19_M7611_04_0-A-00

Thank you so much for reading.
Please click the “Buy Now!”
button below to download the
complete manual.



After you pay.

You can download the most
perfect and complete manual in
the world immediately.

Our support email:

ebooklibonline@outlook.com