

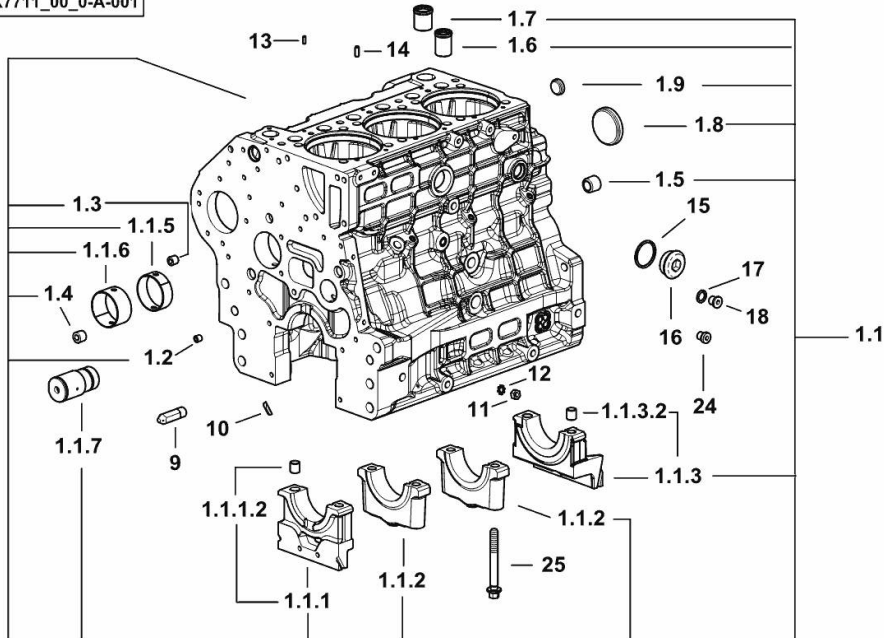
**CRANKCASE**

Fig.	P/n	QTY	Name
------	-----	-----	------

**Notes:**

[EXPLORER 90 2RM -> ZKDBG30100TS20001] [EXPLORER 90 4RM -> ZKDBG30200TS20001]

19\_K7711\_00\_0-A-001



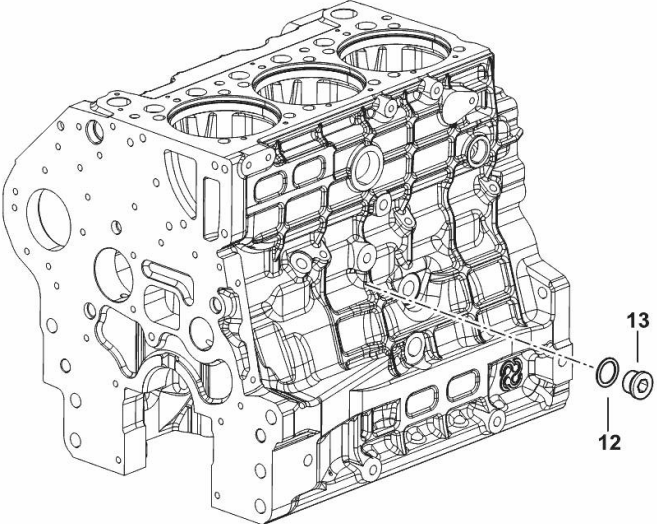
1.1	0.020.4331.3/20	1	crankcase
1.1.1	0.019.5106.3	1	support
1.1.1.2	2.1699.165.0	1	bush 12.3x15x16
1.1.2	0.019.5107.7	2	support
1.1.3	0.019.5108.3	1	support
1.1.3.2	2.1699.165.0	1	bush 12.3x15x16
1.1.5	0.065.1140.0	3	special bushing 59X55X20
1.1.6	0.065.1141.0	1	special bushing 59X55X30
1.1.7	0.019.4412.0	1	pin
1.2	2.3130.001.7	12	plug
1.3	2.3130.002.7	2	plug 1/4" gas
1.4	2.3130.003.7	4	plug 3/8" gas
1.5	2.3130.005.7	3	plug
1.6	0.019.4146.0	1	tube
1.7	0.019.6173.0	1	tube
1.8	2.3179.012.0	1	plug 60
1.9	2.3171.010.4	5	plug 25
9	0.019.4415.0/10	1	tube
10	0.066.1152.0/10	4	gasket
11	2.1011.405.2	2	nut m 8 p.1
12	2.1470.004.2	4	lock washer 8
13	2.1651.305.0	3	pin 4 x 12
14	2.1651.507.0	3	pin 6 x 16
15	2.1560.027.0	1	copper gasket 38.3x44
16	2.3139.031.2	1	plug
17	2.1560.010.0	1	gasket 14.2 x 20
18	2.3199.292.0	1	plug 1/4" gas
24	2.3139.024.2	1	plug m 12 p.1.5 (-> 10001)
25	2.0399.367.7	8	screw

**SIDE PLUG FOR CYLINDER BLOCK**

Fig.	P/n	QTY	Name
------	-----	-----	------

Notes:  
[EXPLORER 90 2RM -> ZKDBG30100TS20001] [EXPLORER 90 4RM -> ZKDBG30200TS20001]

12	2.1560.018.0	1	gasket 22.2 x 29
13	2.3120.102.0	1	plug



19\_K7815\_03\_0-B-001

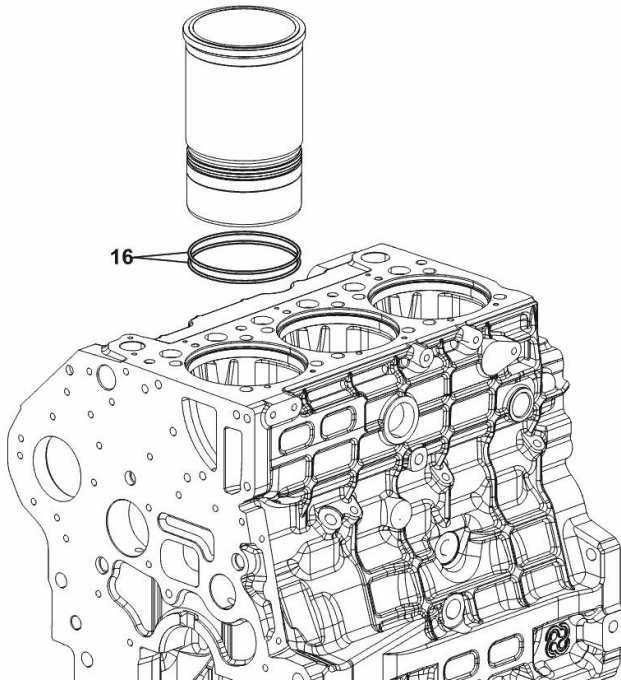
**CYLINDER LINER O-RING**

Fig.	P/n	QTY	Name
------	-----	-----	------

**Notes:**

[EXPLORER 90 2RM -> ZKDBG30100TS20001] [EXPLORER 90 4RM -> ZKDBG30200TS20001]

16	2.1539.259.0	6	special oil seal 107.62x2.62
----	--------------	---	------------------------------



19\_K7712\_00\_0-B-001

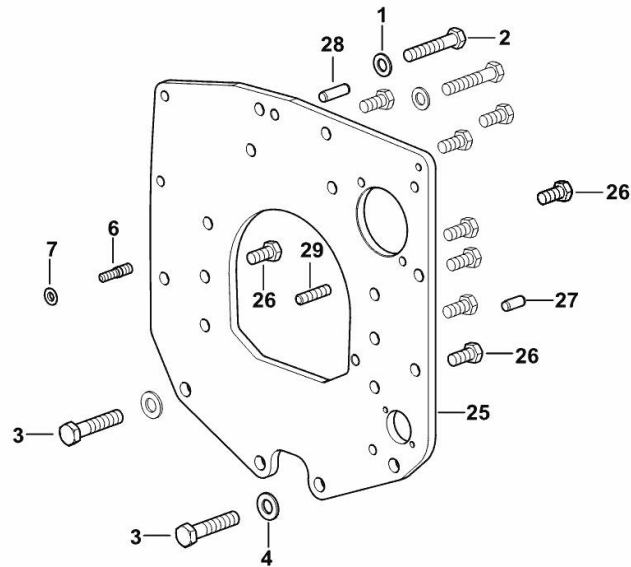
**MONOBLOC ENGINE-GEARBOX CONNECTING FLANGE**

Fig.	P/n	QTY	Name
------	-----	-----	------

**Notes:**

[EXPLORER 90 2RM -> ZKDBG30100TS20001] [EXPLORER 90 4RM -> ZKDBG30200TS20001]

1	2.1475.005.2	2	washer 14
2	2.0112.524.2	2	screw m 14 p.2 x 75
3	2.0112.624.2	2	screw m 16 p.2 x 75
4	2.1475.006.2	2	spring washer 16
6	2.0439.250.7	1	stud bolt m 12 / m 10 x 30
7	0.011.9294.0/10	1	bush
25	0.019.1488.0	1	flange
26	2.0112.511.2	8	screw m 14 p.2 x 30
27	2.1651.912.0	2	cylindrical plug 12x28
28	2.1651.917.0	1	cylindrical plug 12x40
29	2.0432.257.7	1	stud bolt m 12 p.1.75 - 1.25 x 30



[9\_K7411\_01\_0-A-001]

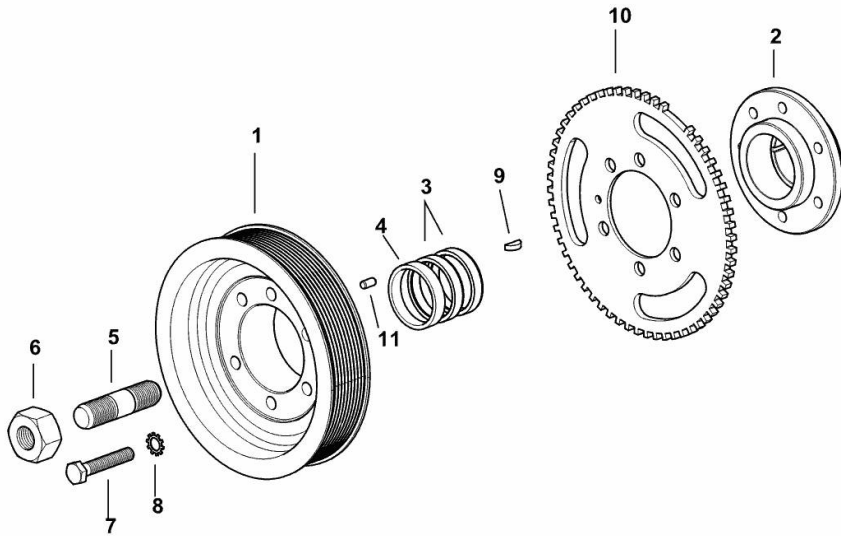
**CRANKSHAFT PULLEY**

Fig.	P/n	QTY	Name
------	-----	-----	------

**Notes:**

[EXPLORER 90 2RM -> ZKDBG30100TS20001] [EXPLORER 90 4RM -> ZKDBG30200TS20001]

1	0.019.9925.0	1	pulley
2	0.019.6668.0	1	flange
3	0.065.1256.0	2	ring 45x52
4	2.1579.865.0	1	spacer 45.2x51.8x10
5	2.0439.195.7	1	stud bolt m 20 p.1.5x80
6	2.1019.094.7	1	nut m 20 p.1.5
7	2.0112.320.2	6	screw m 10 p.1.5 x 55
8	2.1470.006.2	6	lock washer 10
9	2.1720.006.0	1	key 4x6.5
10	0.019.6413.0	1	gear wheel
11	2.1651.505.0	1	cylindrical plug 6x12



19\_K7812\_01\_0-A-001

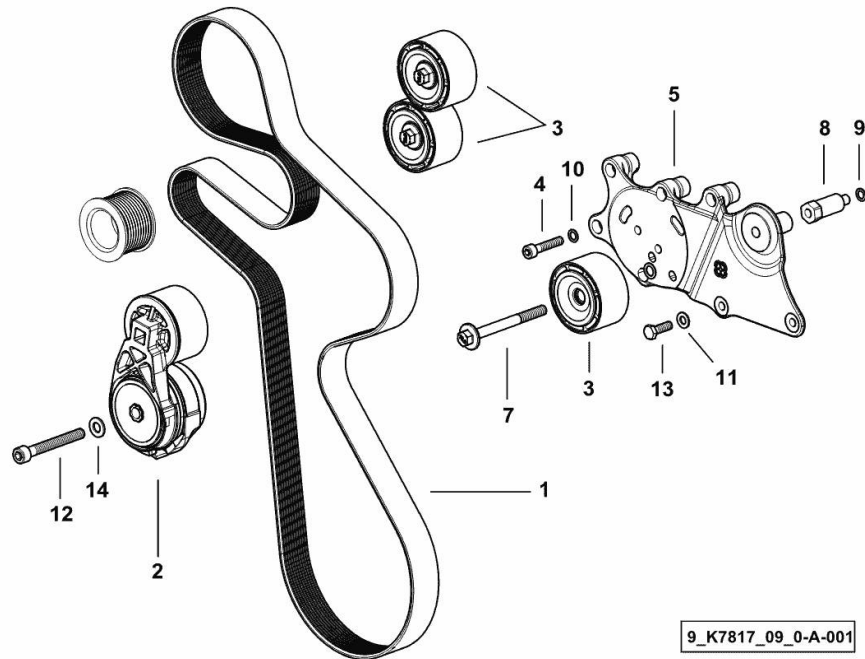
**BELT AND TENSIONER**

Fig.	P/n	QTY	Name
------	-----	-----	------

**Notes:**

- WITH MANUAL AIR CONDITIONING [EXPLORER 90 2RM -> ZKDBG30100TS20001] 10002 <- - WITH MANUAL AIR CONDITIONING [EXPLORER 90 4RM -> ZKDBG30200TS20001] 10002 <-

1	2.4119.218.0/10	1	belt PK 10 L=2017
2	0.021.4446.4	1	tensioner
3	0.019.9869.4/10	3	pulley guide
4	2.0312.214.2	5	screw m 8 p.1.25 x 40
5	0.019.8853.0/10	1	support
7	2.0399.380.2	1	screw
8	2.0399.379.2	1	small column
9	2.1480.015.2	1	washer 10
10	2.1480.014.2	5	washer 8
11	2.1310.004.2	2	flat washer 8.4x17
12	2.0314.322.2	1	screw
13	2.0112.209.2	2	screw m 8 p 1.25 x 25
14	2.1310.006.2	1	flat washer 10.5x21



9\_K7817\_09\_0-A-001

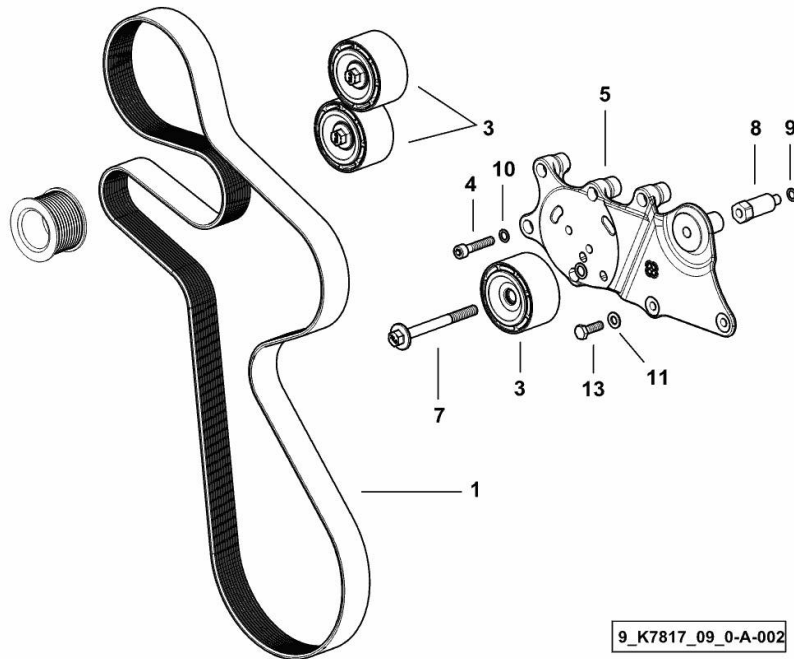
**BELT AND TENSIONER**

Fig.	P/n	QTY	Name
------	-----	-----	------

**Notes:**

- WITH MANUAL AIR CONDITIONING [EXPLORER 90 2RM -> ZKDBG30100TS20001] - WITH MANUAL AIR CONDITIONING [EXPLORER 90 4RM -> ZKDBG30200TS20001]

1	2.4119.218.0/10	1	belt PK 10 L=2017
3	0.019.9869.4/10	3	pulley guide
4	2.0312.214.2	5	screw m 8 p.1.25 x 40
5	0.019.8853.0/10	1	support
7	2.0399.380.2	1	screw
8	2.0399.379.2	1	small column
9	2.1480.015.2	1	washer 10
10	2.1480.014.2	5	washer 8
11	2.1310.004.2	2	flat washer 8.4x17
13	2.0112.209.2	2	screw m 8 p 1.25 x 25



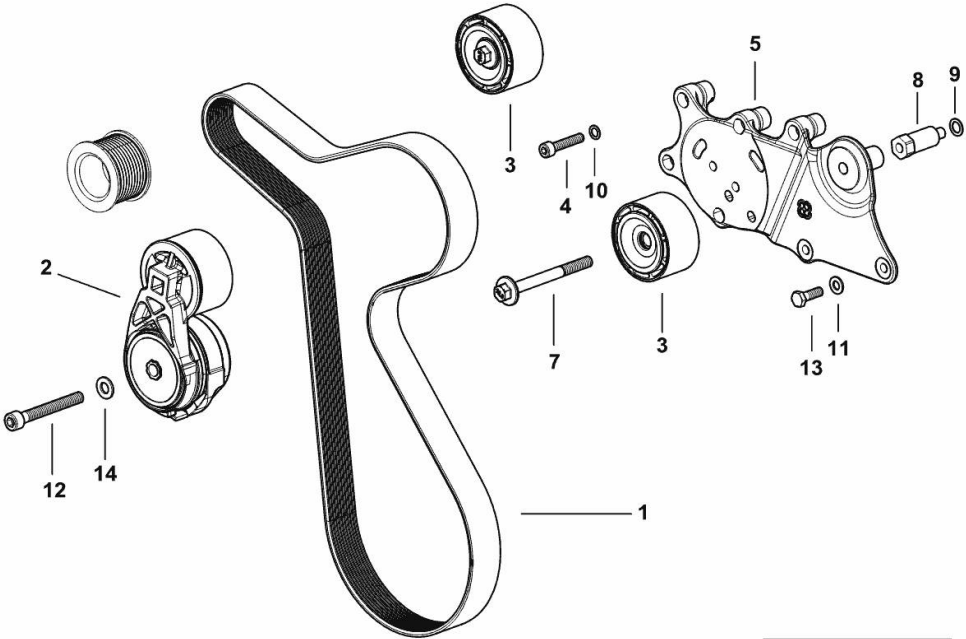
9\_K7817\_09\_0-A-002

**BELT AND TENSIONER**

Fig.	P/n	QTY	Name
------	-----	-----	------

**Notes:**  
 WITHOUT AIR-CONDITIONING [EXPLORER 90 2RM -> ZKDBG30100TS20001] WITHOUT  
 AIR-CONDITIONING [EXPLORER 90 4RM -> ZKDBG30200TS20001]

1	2.4119.219.0	1	belt PK 10 L=1498
2	0.021.4446.4	1	tensioner
3	0.019.9869.4/10	2	pulley guide
4	2.0312.214.2	5	screw m 8 p.1.25 x 40
5	0.019.8853.0/10	1	support
7	2.0399.380.2	1	screw
8	2.0399.379.2	1	small column
9	2.1480.015.2	1	washer 10
10	2.1480.014.2	5	washer 8
11	2.1310.004.2	2	flat washer 8.4x17
12	2.0314.322.2	1	screw
13	2.0112.209.2	2	screw m 8 p 1.25 x 25
14	2.1310.006.2	1	flat washer 10.5x21



9\_K7817\_10\_0-A-001

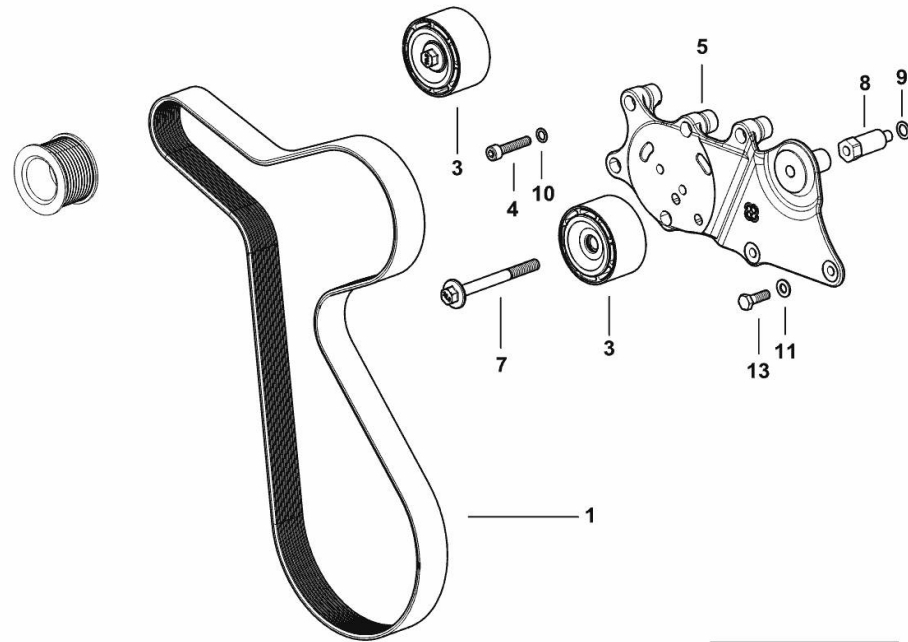


**BELT AND TENSIONER**

Fig.	P/n	QTY	Name
------	-----	-----	------

**Notes:**

WITHOUT AIR-CONDITIONING [EXPLORER 90 2RM -> ZKDBG30100TS20001] WITHOUT AIR-CONDITIONING [EXPLORER 90 4RM -> ZKDBG30200TS20001]



1	2.4119.219.0	1	belt PK 10 L=1498
3	0.019.9869.4/10	2	pulley guide
4	2.0312.214.2	5	screw m 8 p.1.25 x 40
5	0.019.8853.0/10	1	support
7	2.0399.380.2	1	screw
8	2.0399.379.2	1	small column
9	2.1480.015.2	1	washer 10
10	2.1480.014.2	5	washer 8
11	2.1310.004.2	2	flat washer 8.4x17
13	2.0112.209.2	2	screw m 8 p 1.25 x 25

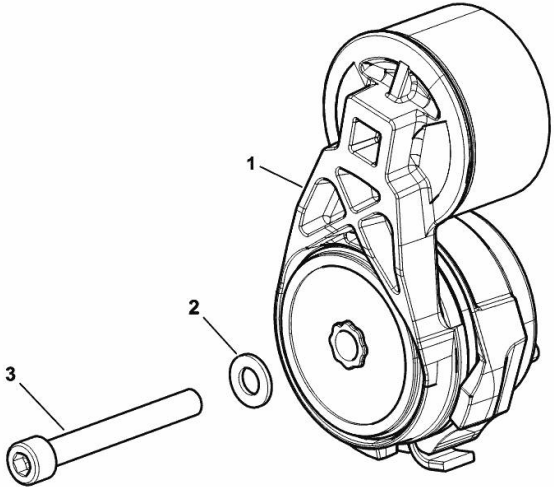
9\_K7817\_10\_0-A-002

**TENSION ROLLER**

Fig.	P/n	QTY	Name
------	-----	-----	------

Notes:  
[EXPLORER 90 2RM -> ZKDBG30100TS20001] [EXPLORER 90 4RM -> ZKDBG30200TS20001]

1	0.021.4446.4	1	tensioner
2	2.1310.006.2	1	flat washer 10.5x21
3	2.0314.322.2	1	screw



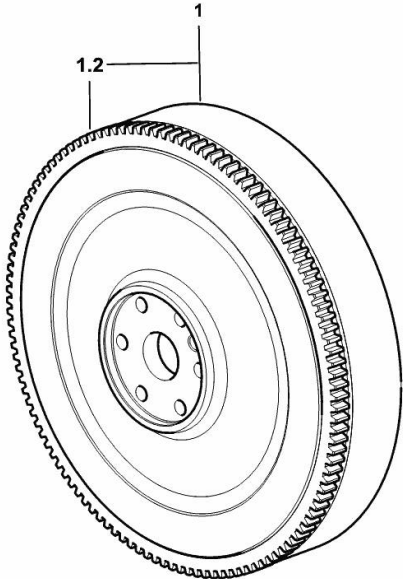
9\_IB017\_10\_0-A-001

ENGINE FLYWHEEL

Fig.	P/n	QTY	Name
------	-----	-----	------

Notes:  
 [EXPLORER 90 2RM -> ZKDBG30100TS20001] [EXPLORER 90 4RM -> ZKDBG30200TS20001]

1	0.020.7683.3	1	flywheel
1.2	0.069.1242.0	1	crown wheel Z = 121
2	2.0399.368.0	6	screw



9\_IB012\_03\_0-A-001

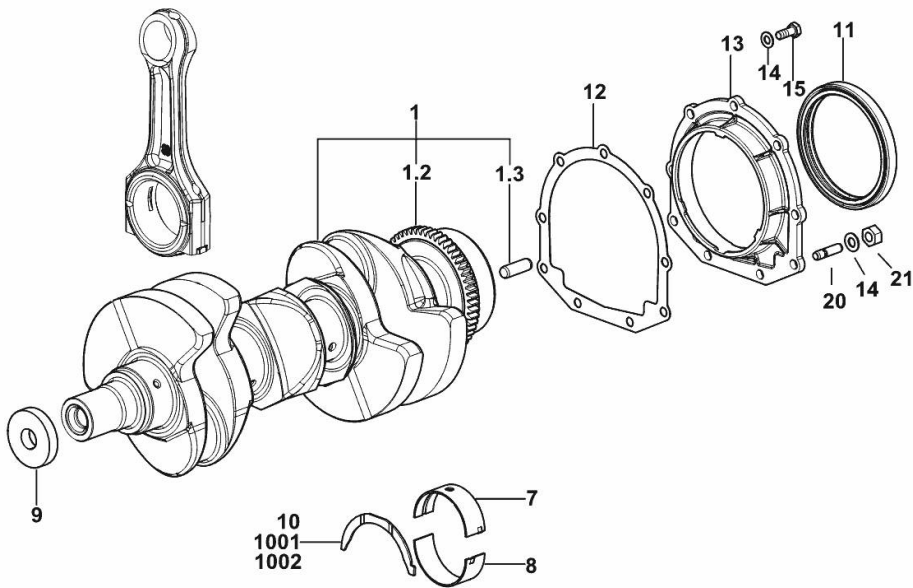
**CRANKSHAFT**

Fig.	P/n	QTY	Name
------	-----	-----	------

**Notes:**

[EXPLORER 90 2RM -> ZKDBG30100TS20001] [EXPLORER 90 4RM -> ZKDBG30200TS20001]

1	0.019.2255.3/20	1	crankshaft
1.2	0.007.0855.0/10	1	gear
1.3	2.1651.915.0	1	pin 12x35
7	0.019.5455.0	4	main half bushing STANDARD
8	0.019.5456.0	4	main half bushing STANDARD
9	2.1599.524.7	1	washer 21x60x12
10	0.065.1218.0	4	shim STANDARD
11	2.1529.073.0	1	special oil seal 110x130x13
12	0.065.1254.0/20	1	gasket
13	0.007.0851.0/10	1	cover
14	2.1475.002.7	9	washer 8.4
15	2.0112.207.2	7	screw m 8 p 1.25 x 20
20	2.0432.003.7	2	stud bolt m 8 p.1.25 / p.1 x 20
21	2.1011.405.2	2	nut m 8 p.1
1001	0.065.1218.7		shim + mm 0.10
1002	0.065.1218.8		shim + mm 0.15



I9\_K7712\_00\_0-A-001

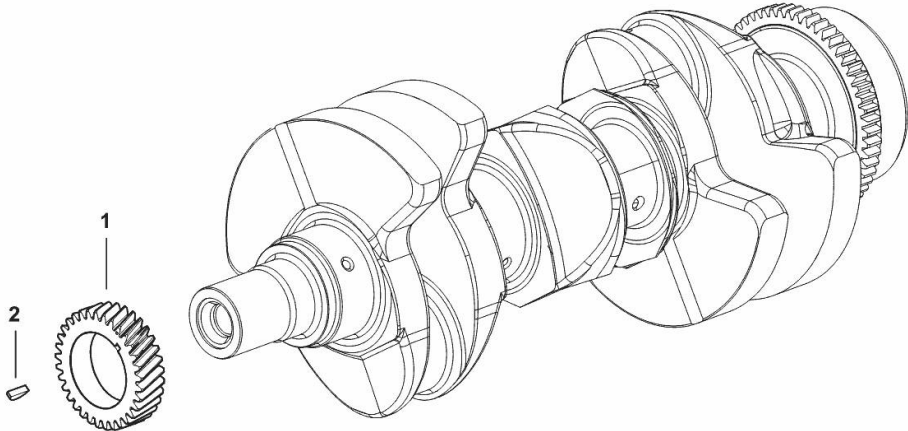
**CRANKSHAFT GEAR**

Fig.	P/n	QTY	Name
------	-----	-----	------

Notes:  
[EXPLORER 90 2RM -> ZKDBG30100TS20001] [EXPLORER 90 4RM -> ZKDBG30200TS20001]

1	0.019.4145.0	1	gear z = 33
2	2.1720.006.0	1	key 4x6.5

I9\_K7713\_00\_0-D-001

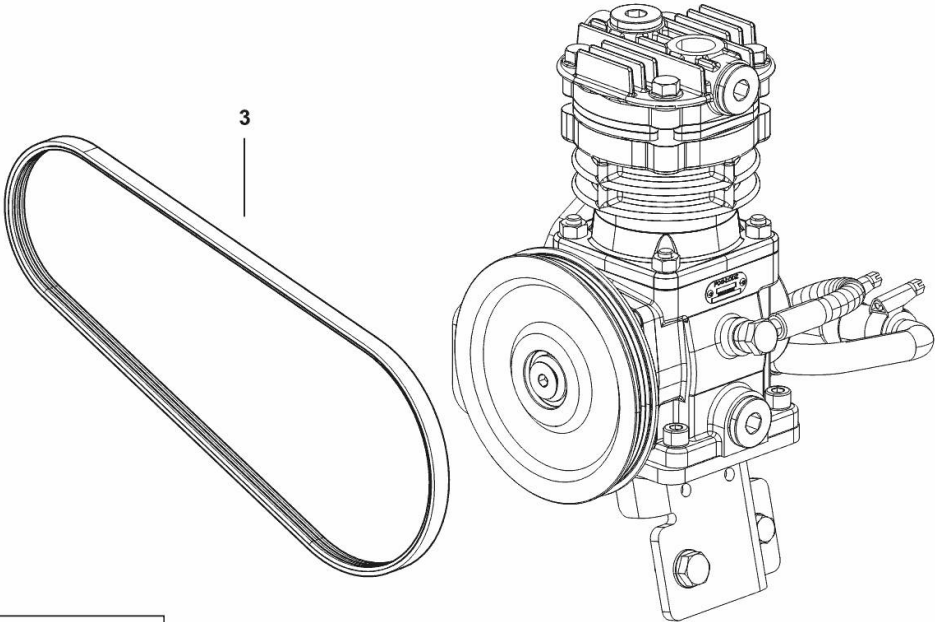


**COMPRESSOR DRIVEBELT**

Fig.	P/n	QTY	Name
------	-----	-----	------

Notes:  
[EXPLORER 90 2RM -> ZKDBG30100TS20001] [EXPLORER 90 4RM -> ZKDBG30200TS20001]

3	2.4119.220.0	1	belt
---	--------------	---	------



9\_K7719\_40\_0-B-001

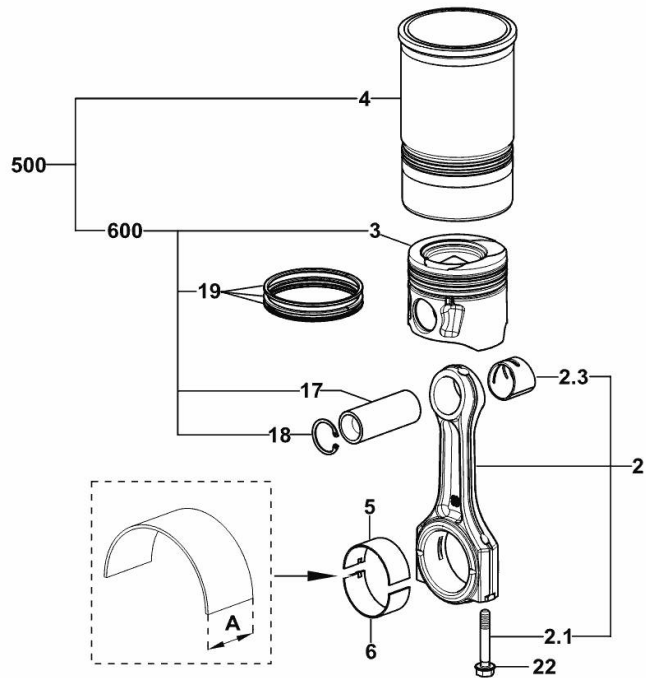
**CYLINDER - PISTON - CONNECTING ROD**

Fig.	P/n	QTY	Name
------	-----	-----	------

**Notes:**

[EXPLORER 90 2RM -> ZKDBG30100TS20001] [EXPLORER 90 4RM -> ZKDBG30200TS20001]

2	0.019.2226.3/10	3	engine connecting rod
2.1	2.0399.365.0	2	screw m 10 p.1.25x61.5
2.3	2.1559.532.0	1	special bushing 34.60x39.130x36.65
3	0.019.4180.0/10	3	piston
4	0.019.4717.0/30	3	engine cylinder
5	0.019.5453.0	3	con.rod half bushing STANDARD - A = 29.85 -> 30.10
6	0.019.5454.0	3	con.rod half bushing STANDARD - A = 29.85 -> 30.10
17	0.019.4187.0	3	piston pin
18	0.019.4188.0	6	circlip 35
19	0.019.4199.6	3	piston ring set
22	2.0399.365.0	6	screw m 10 p.1.25x61.5
500	0.K77.0065.6	3	cyl. piston assembly
600	0.K77.0060.6	3	complete piston



19\_K7712\_00\_0-C-001

Thank you so much for reading.  
Please click the “Buy Now!”  
button below to download the  
complete manual.



After you pay.

You can download the most  
perfect and complete manual in  
the world immediately.

Our support email:

[ebooklibonline@outlook.com](mailto:ebooklibonline@outlook.com)